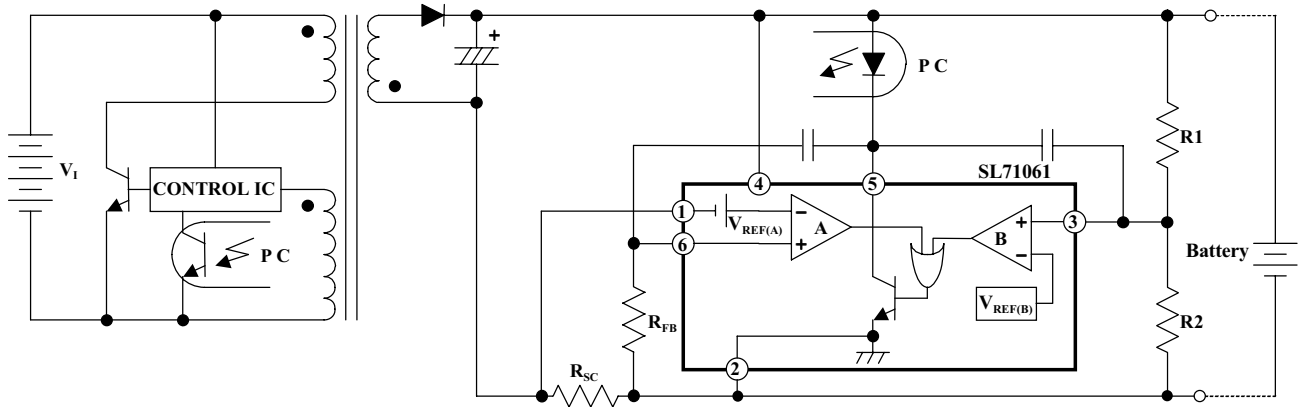


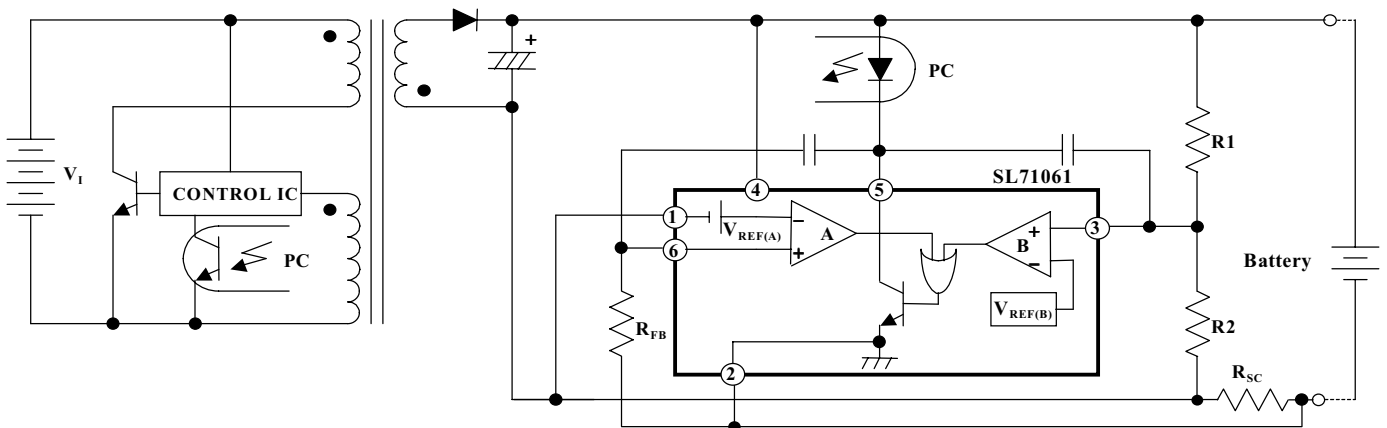
## APPLICATION 1



$$\text{OUTPUT} = V_{\text{REF (B)}} \times \frac{R1 + R2}{R2} \text{ ( V )}$$

$$\text{CURRENT LIMIT} = \frac{V_{\text{REF(A)}}}{R_{\text{sc}}} \text{ ( A )}$$

## APPLICATION 2

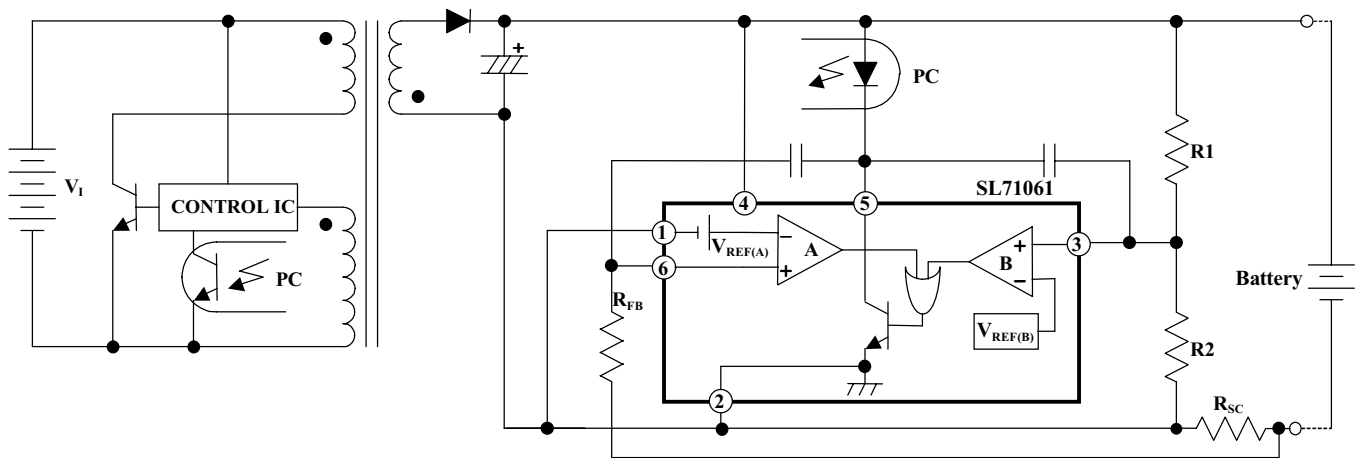


$$\text{OUTPUT} = \{ V_{\text{REF (B)}} + ( I_L \times R_{\text{sc}} ) \} \times \frac{R1 + R2}{R2} - ( I_L \times R_{\text{sc}} ) \text{ ( V )}$$

$$\text{CURRENT LIMIT} = \frac{V_{\text{REF}}}{R_{\text{sc}}} \text{ ( A )}$$

# SL71061

## APPLICATION 3



$$\text{OUTPUT} = V_{\text{REF (B)}} \frac{R1+R2}{R2} \times - (I_L \times R_{\text{sc}}) \text{ (V)}$$

$$\text{CURRENT LIMIT} = \frac{V_{\text{REF (A)}}}{R_{\text{sc}}} \text{ (A)}$$