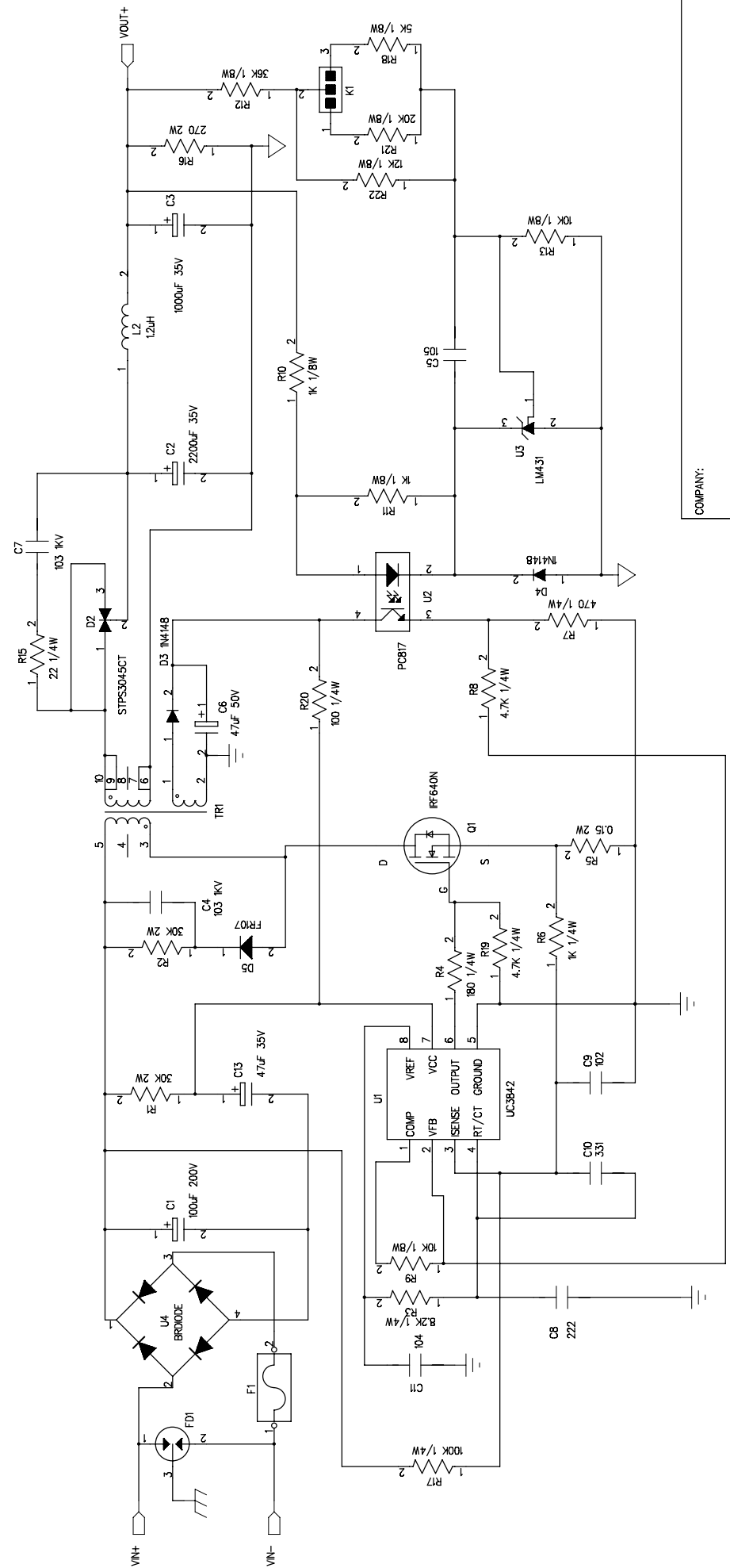


1 2 3 4 5 6

REVISION RECORD		
LTR	ECO NO:	APPROVED:
		DATE:

D C B A



DRAWN:	DATED:
CHECKED:	DATED:
QUALITY CONTROL:	DATED:
RELEASED:	DATED:

COMPANY:	SCALE:
TITLE:	SHEET: OF
CODE:	DRAWING NO:
SIZE:	REV:

