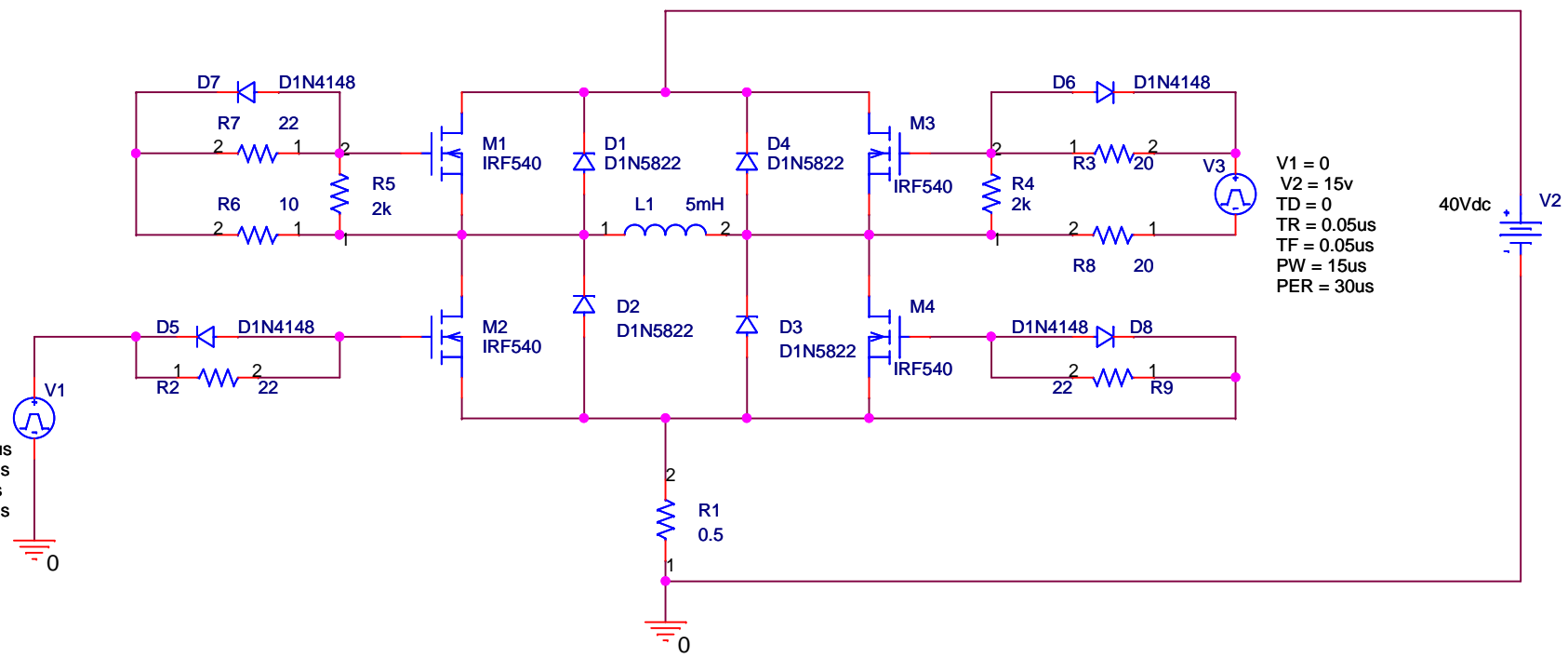


V1 = 0
 V2 = 15v
 TD = 0
 TR = 0.05us
 TF = 0.05us
 PW = 15us
 PER = 30us

V1 = 0
 V2 = 15v
 TD = 0
 TR = 0.05us
 TF = 0.05us
 PW = 15us
 PER = 30us



Title		
<Title>		
Size	Document Number	Rev
A	<Doc>	<RevCode>
Date:	Saturday, July 18, 2009	Sheet 1 of 1