

6

5

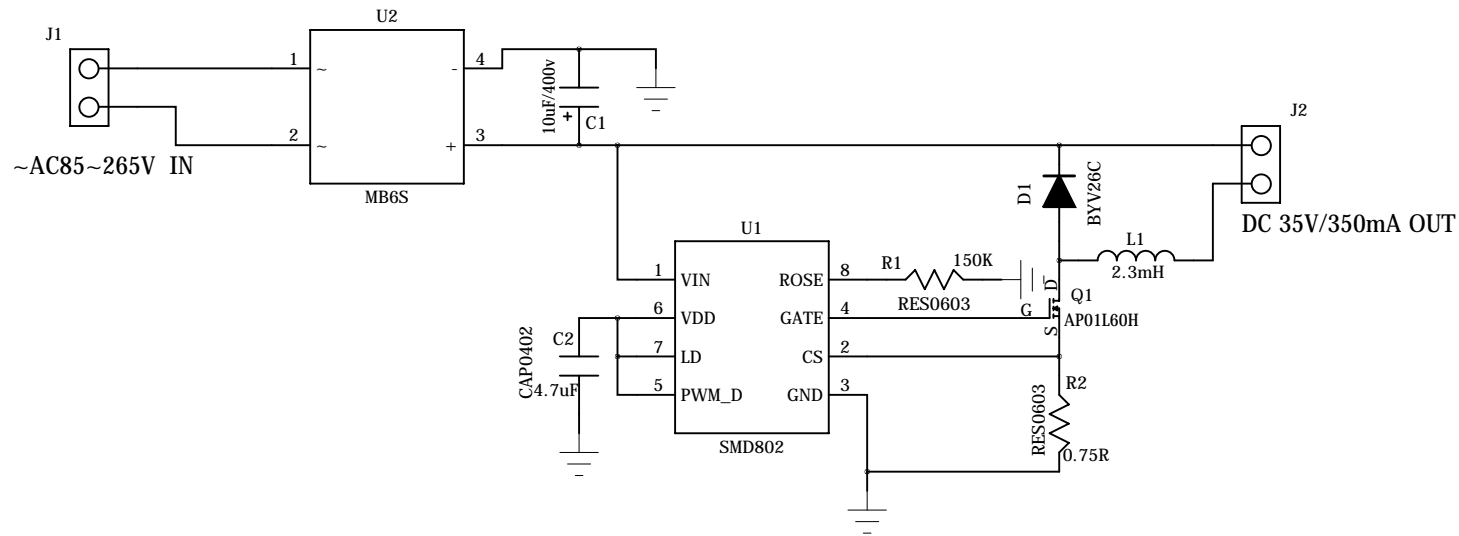
4

3

2

1

REVISION RECORD			
LTR	ECO NO:	APPROVED:	DATE:



<h1>Gotek</h1>		Suzhou Gotek Optronics Technology Co.,LTD	
INTENDED USE:	TITLE:		A
APPD:	DWG. NO.:		
CHECK:	PAGE: 1	REV.: 01	
DRAW:	DATE:		