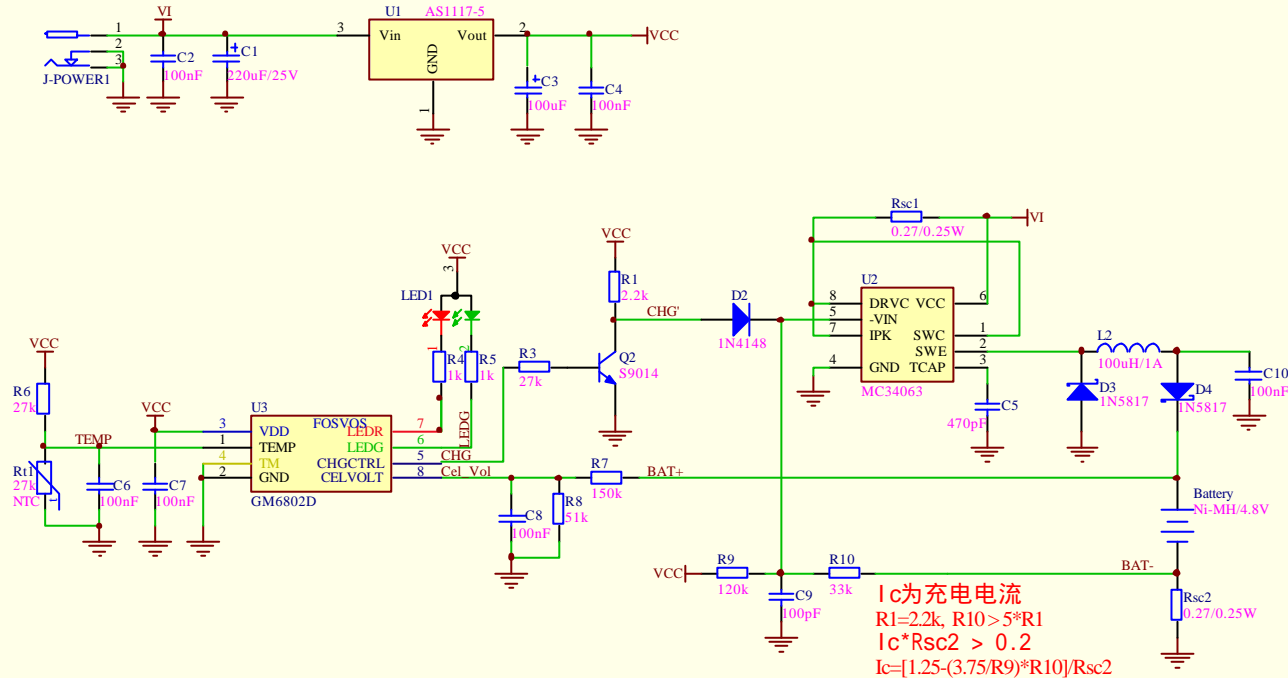


VI=12V  
VI为普通稳压电源，不需要恒流输出功能  
VI允许范围11V ~ 15V



Title *			
Designed By:		Size: A4	REFNO:
Checked By:		VER:	Sheet of