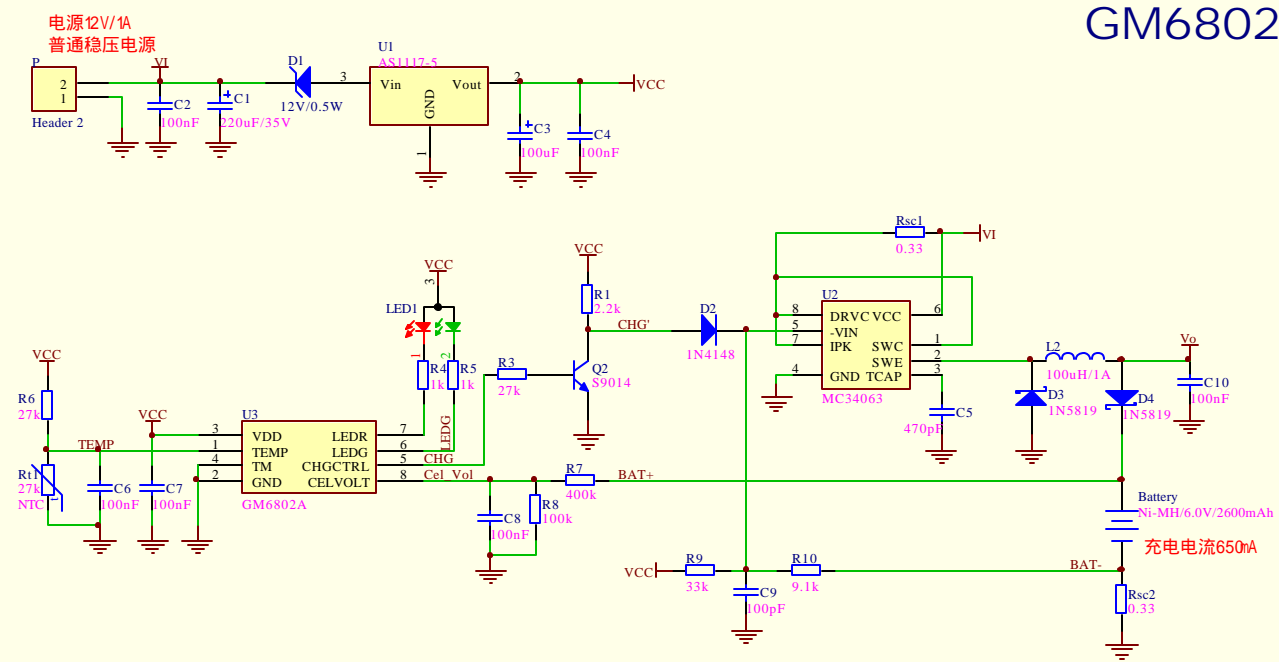


FOSVOS GM6802-5



Title *			
Designed By:		Size: A4	REFNO:
Checked By:		VER:	Sheet of

