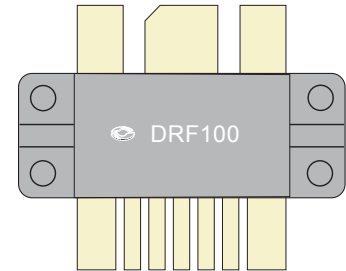



MOSFET Driver Hybrid

The DRF100 is a High-Speed Power MOSFET driver with a unique anti-ringing function. It is intended to drive the gate of a power MOSFET with $\geq 3\text{nF}$ gate capacitance to 15V at frequencies up to 30MHz. It can produce output currents $\geq 8\text{A RMS}$, while dissipating 60W. The Driver output can be configured as Inverting or Non-Inverting.



FEATURES

- Switching Frequency: DC TO 30MHz
- Low Pulse Width Distortion
- Single Power Supply
- 1V CMOS Schmitt Trigger Input 1V Hysteresis
- Inverting Non-Inverting Select
- RoHS Compliant 
- Output Capable of $\geq 8\text{A RMS}$
- Power Dissipation Capability 60W

TYPICAL APPLICATIONS

- MOSFET Drivers
- Switch Mode Power Amplifiers
- Digital Output Amplifiers
- Pulse Generators
- Laser Diode Drivers
- Ultrasound Transducer Drivers
- Acoustic Optical Modulators

Driver Absolute Maximum Ratings

Symbol	Parameter	Ratings	Unit
V_{DD}	Supply Voltage	18	V
IN, FN	Input Single Voltages	-.7 to +5.5	
$I_{O\text{PK}}$	Output Current Peak	8	A
$T_{J\text{MAX}}$	Operating Temperature	175	°C

Driver Specifications

Symbol	Parameter	Min	Typ	Max	Unit
V_{DD}	Supply Voltage	8	15	18	V
IN	Input Voltage	3		5.5	
$IN_{(R)}$	Input Voltage Rising Edge		3		ns
$IN_{(F)}$	Input Voltage Falling Edge		3		
I_{DDQ}	Quiescent Current		2		mA
I_O	Output Current		8		A
C_{OSS}	Output Capacitance		2500		pF
C_{ISS}	Input Capacitance		3		
R_{IN}	Input Parallel Resistance		1		mΩ
$V_{T(ON)}$	Input, Low to High Out	0.8		1.1	V
$V_{T(OFF)}$	Input, High to Low Out	1.9		2.2	
T_{DLY}	Time Delay (throughput)		38		ns
t_r	Rise Time		5		ns
t_f	Fall Time		5		
T_D	Prop. Delay		35		

Output Characteristics

DRF100

Symbol	Parameter	Min	Typ	Max	Unit
C_{out}	Output Capacitance		2500		pF
R_{out}	Output Resistance		1		Ω
L_{out}	Output Inductance	2	3	4	nH
F_{MAX}	Operating Frequency CL=3000nF + 50 Ω	30			MHz
F_{MAX}	Operating Frequency RL=50 Ω	50			

Dynamic Characteristics

Symbol	Parameter	Min	Typ	Max	Unit
C_{iss}	Input Capacitance		2000		pF
C_{oss}	Output Capacitance		165		
C_{rss}	Reverse Transfer Capacitance		75		

Thermal Characteristics

Symbol	Parameter	Ratings	Unit
$R_{\theta JC}$	Thermal Resistance Junction to Case	1.44	$^{\circ}\text{C}/\text{W}$
$R_{\theta JHS}$	Thermal Resistance Junction to Heat Sink	2.53	
T_{JSTG}	Storage Temperature	-55 to 150	$^{\circ}\text{C}$
P_D	Maximum Power Dissipation @ $T_{SINK} = 25^{\circ}\text{C}$	60	W
P_{DC}	Total Power Dissipation @ $T_C = 25^{\circ}\text{C}$	100	

Microsemi reserves the right to change, without notice, the specifications and information contained herein.

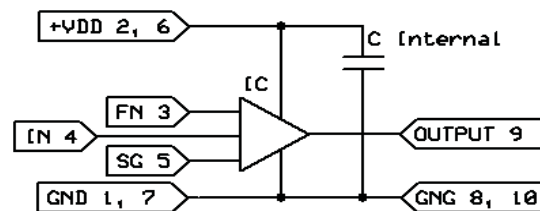


Figure 1, DRF100 Simplified Circuit Diagram

The Simplified DRF100 Circuit Diagram is illustrated above. By including the driver high speed by-pass capacitor (C Internal), the contribution to the internal parasitic loop inductance of the driver output is greatly reduced. This low parasitic approach, coupled with the Schmitt trigger input (pin 4), Kelvin signal ground (pin 5) and the Anti-Ring Function, provide improved stability and control. The IN pin (4) is applied to a Schmitt Trigger. The signal is then applied to the intermediate drivers and level shifters; this section contains proprietary circuitry designed specifically for ring abatement. The P channel and N channel power drivers provide the high current to the OUTPUT (pin 9.)

The Function (FN, pin 3) is the invert or non-invert select Pin, it is Internally held high, Normally Non-inverting.

Truth Table *Referenced to SG			
FN (pin 3)*	IN (pin 4)*	MOSFET	Function
HIGH	HIGH	HIGH	Non-Invert
HIGH	LOW	LOW	Non-Invert
LOW	HIGH	LOW	Inverting
LOW	LOW	HIGH	Inverting

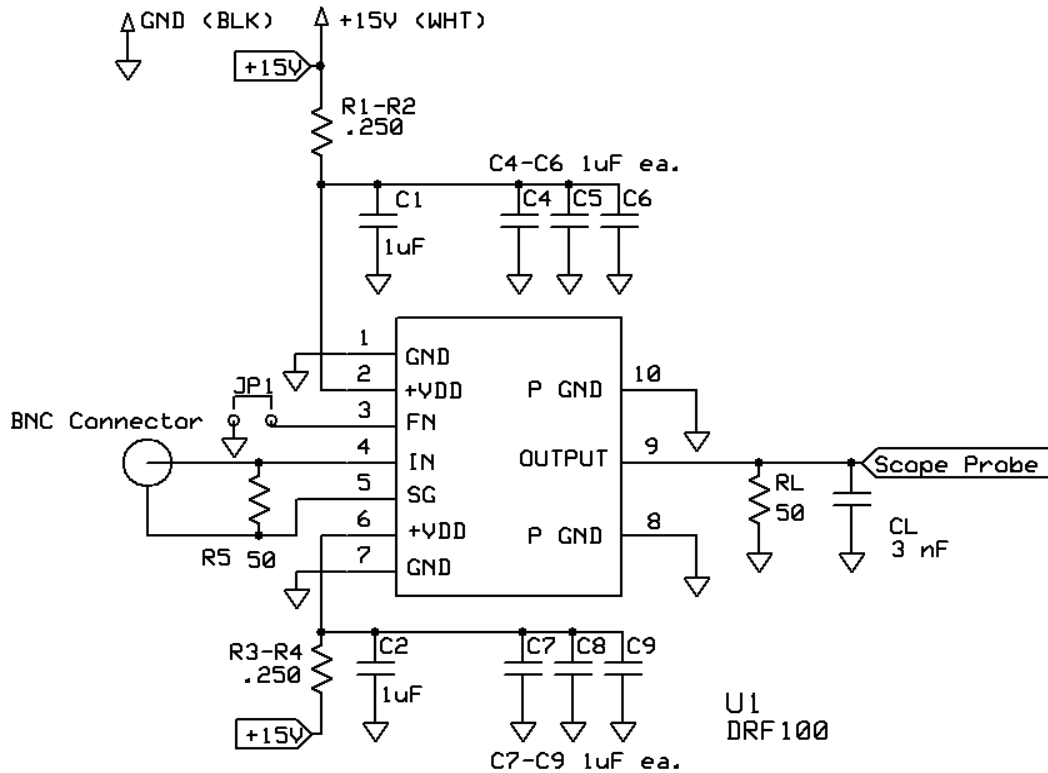
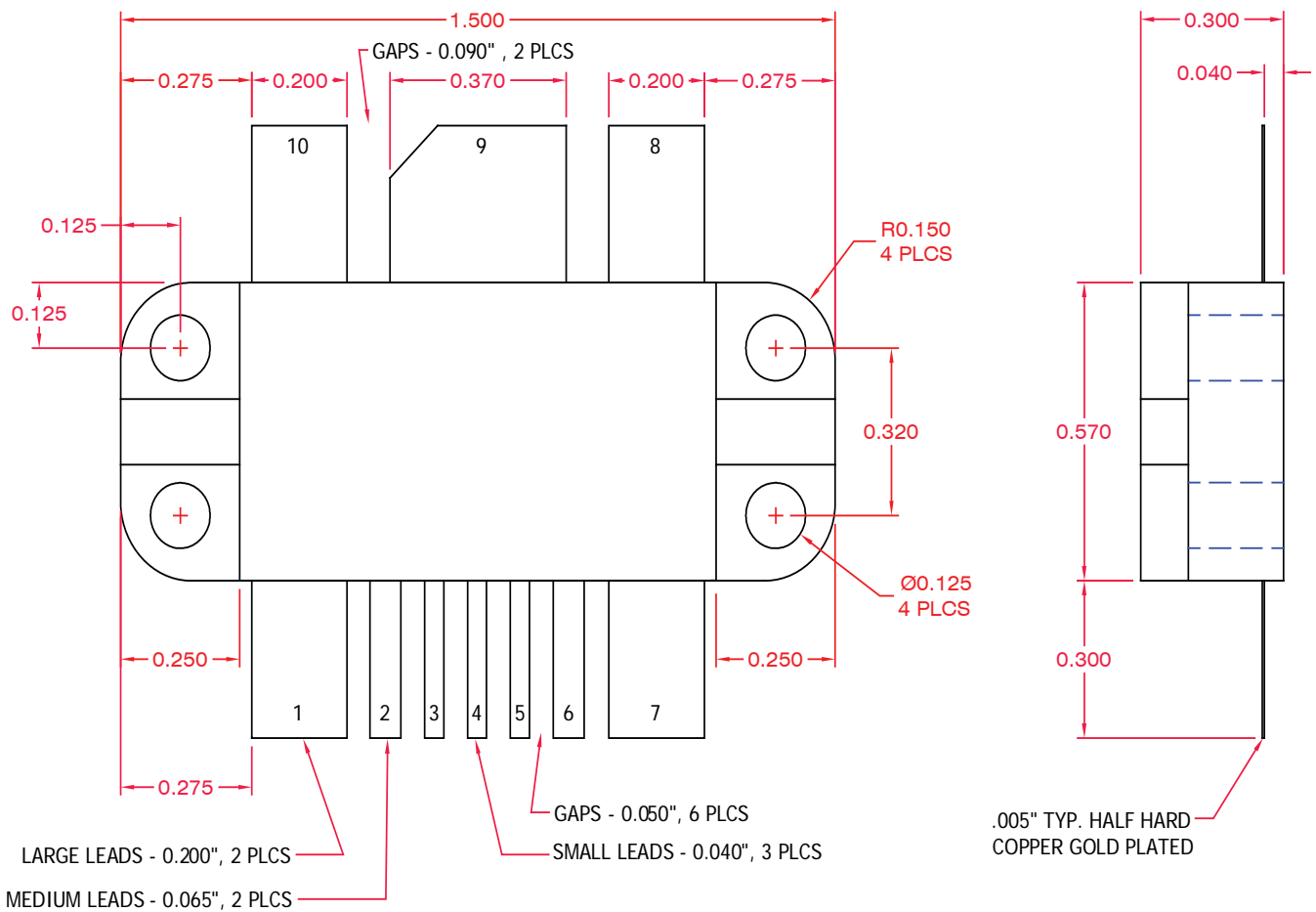


Figure 2, DRF100 Test Circuit

The Test Circuit illustrated above was used to evaluate the DRF100 (available as an evaluation Board DRF100 / EVALSW.) The input control signal is applied to the DRF100 via IN(4) and SG(5) pins using RG188. This provides excellent noise immunity and control of the signal ground currents.

The $+V_{DD}$ inputs (2,6) are by-passed (C1, C2, C4-C9), this is in addition to the internal by-passing mentioned previously. The capacitors used for this function must be capable of supporting the RMS currents and frequency of the gate load.

Pin Assignments	
Pin 1	Ground
Pin 2	U1 +Vdd
Pin 3	FN
Pin 4	U1 IN
Pin 5	U1 SG
Pin 6	U1 +Vdd
Pin 7	Ground
Pin 8	Source
Pin 9	Drain
Pin 10	Source



All dimensions are ± .005

Figure 3, DRF100 Mechanical Outline