

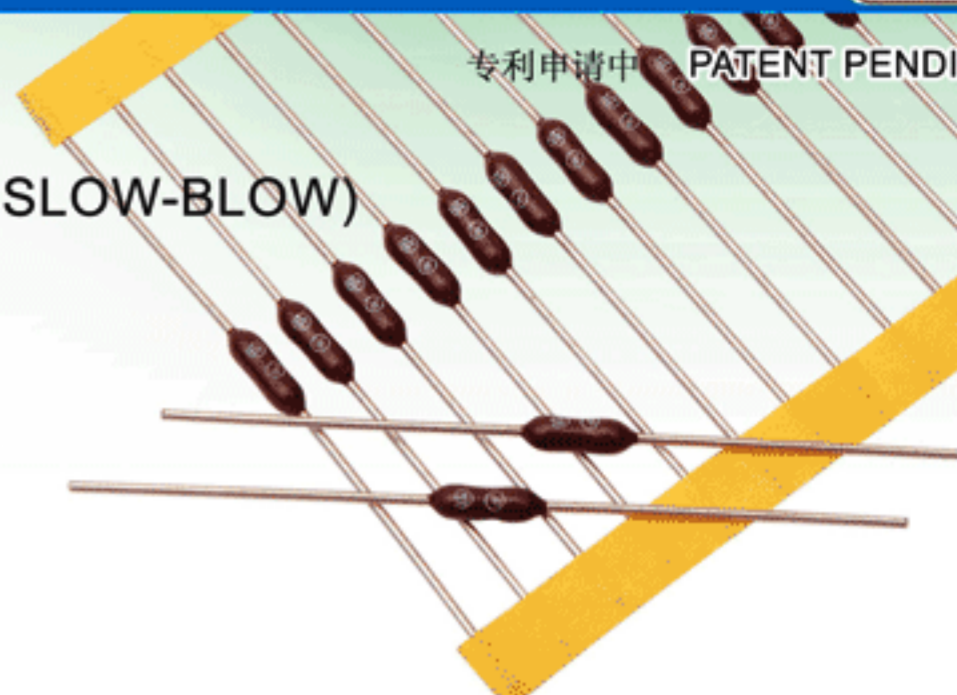


**H 20S** CCC CQC UL CUL SP PSE JET

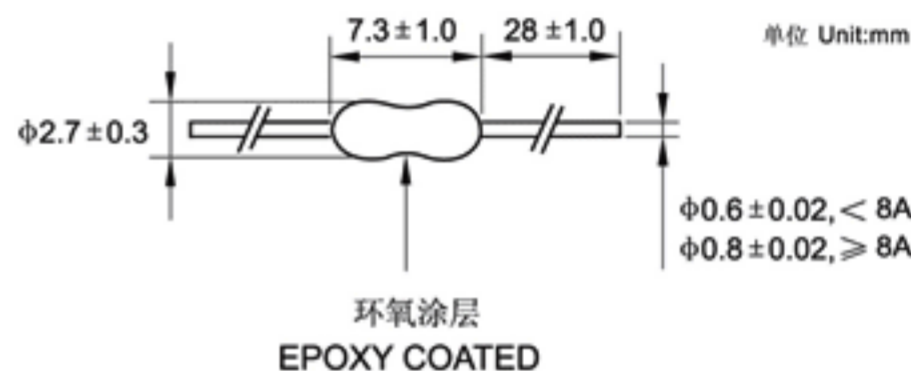
微型保险丝管(中等慢断型)

MICROFUSE (MEDIUM SLOW-BLOW)

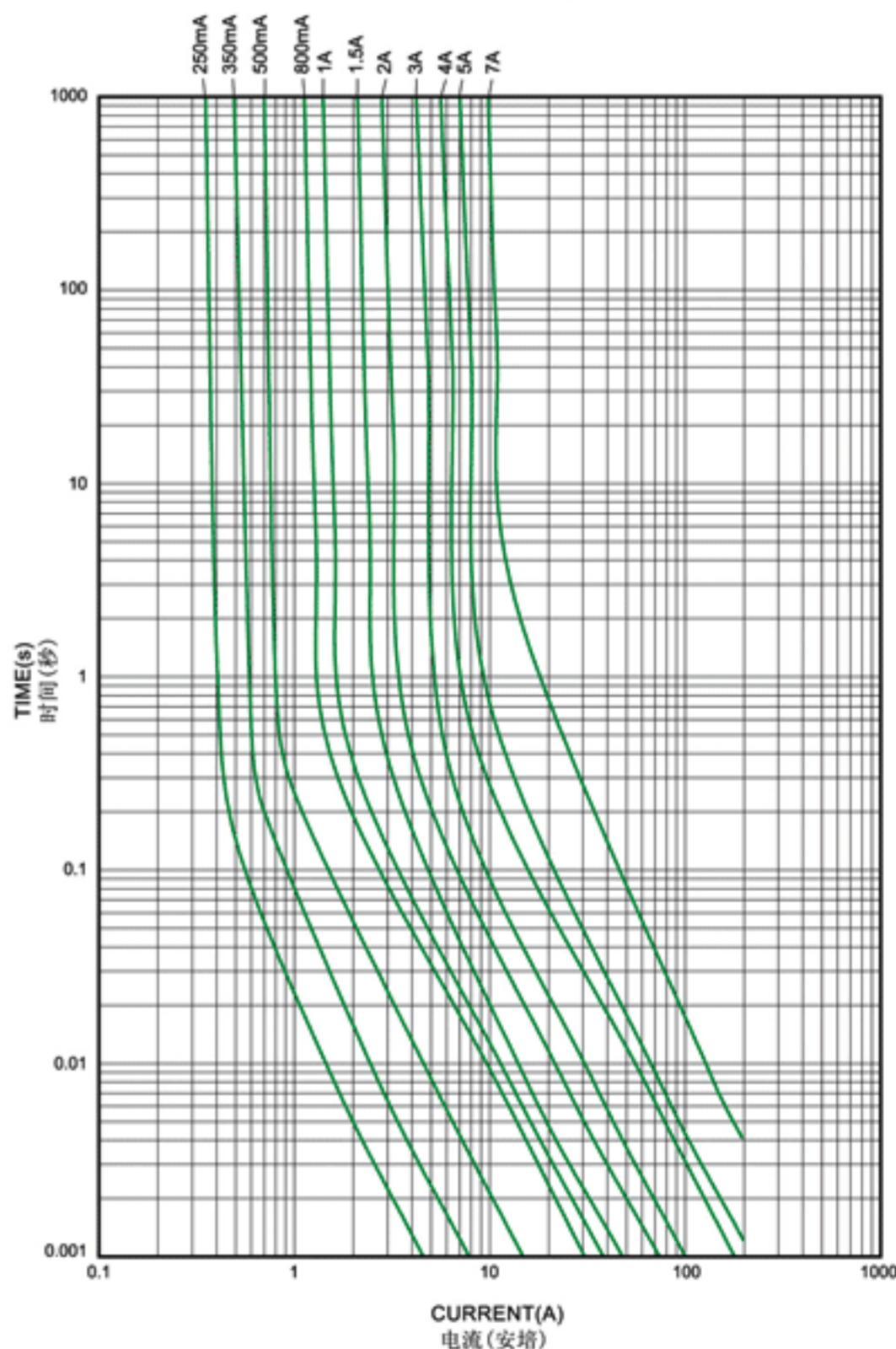
专利申请中 PATENT PENDING



目录编号 CATALOG NO.	额定电流 CURRENT RATING	安全认证 SAFETY APPROVALS							I <sup>2</sup> T 参考值 REFERENCE (A <sup>2</sup> ·Sec.) (RoHS)
		CCC	CQC	UL(CUL)		CSA		PSE	
		H	H	H	L	H	L	H	
20S-0200H/L	200mA	●		●	●	●	●	●	0.0179
20S-0250H/L	250mA	●		●	●	●	●	●	0.0205
20S-0300H/L	300mA			●	●	●	●	●	0.0333
20S-0315H/L	315mA	●		●	●	●	●	●	0.0353
20S-0350H/L	350mA			●	●	●	●	●	0.0583
20S-0375H/L	375mA			●	●	●	●	●	0.098
20S-0400H/L	400mA			●	●	●	●	●	0.141
20S-0500H/L	500mA	●		●	●	●	●	●	0.208
20S-0600H/L	600mA			●	●	●	●	●	0.322
20S-0630H/L	630mA	●		●	●	●	●	●	0.328
20S-0750H/L	750mA			●	●	●	●	●	0.606
20S-0800H/L	800mA	●		●	●	●	●	●	0.933
20S-010H/L	1A	●		●	●	●	●	●	1.290
20S-012H/L	1.2A			●	●	●	●	●	1.613
20S-013H/L	1.25A	●		●	●	●	●	●	1.663
20S-015H/L	1.5A			●	●	●	●	●	1.922
20S-016H/L	1.6A	●		●	●	●	●	●	1.940
20S-020H/L	2A	●		●	●	●	●	●	4.608
20S-025H/L	2.5A	●		●	●	●	●	●	5.409
20S-030H/L	3A			●	●	●	●	●	9.248
20S-032H/L	3.15A	●		●	●	●	●	●	9.595
20S-035H/L	3.5A			●	●	●	●	●	10.12
20S-040H/L	4A	●		●	●	●	●	●	30.75
20S-050H/L	5A		●	●	●	●	●	●	43.81
20S-060H/L	6A			●	●	●	●	●	56.22
20S-063H/L	6.3A		●	●	●	●	●	●	60.38
20S-070H/L	7A			●	●	●	●	●	65.17
20S-080H/L	8A			●	●	●	●	●	72.94
20S-090H/L	9A			●	●	●	●	●	83.42
20S-100H/L	10A			●	●	●	●	●	90.79



20S 平均 I-T 曲线图 (仅供参考)  
20S AVERAGE I-T CHARACTERISTICS CURVE (FOR REFERENCE)



H DENOTES FOR 250V (H表示 250V)  
L DENOTES FOR 125V (L表示 125V)  
● DENOTES FOR APPROVED (●表示已取得认证)

分断能力:

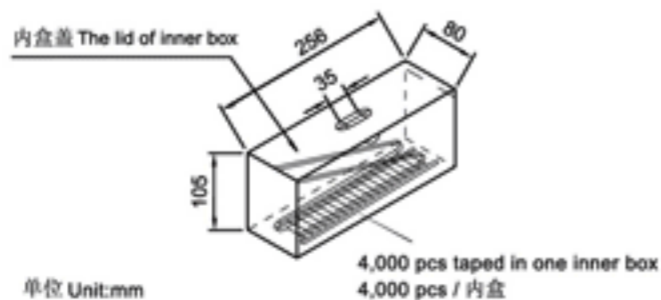
INTERRUPTING CAPACITY:  
50 amperes at 125V/250V AC (200mA-10A)  
100 amperes at 250V AC (1A-5A) PSE

电气特性 ELECTRICAL CHARACTERISTICS:

额定电流的% % of CURRENT RATING	熔断时间 BLOWING TIME
100%	最快4小时 4 hours Min.
200%	最慢60秒 60 seconds Max.

包装 PACKING:

1. 内盒 INNER BOX : AMMO PACK



2. 外箱 OUTER CARTON: 9 INNER BOXES/CARTON  
尺寸 CARTON SIZE: L355xW295xH260(mm)