

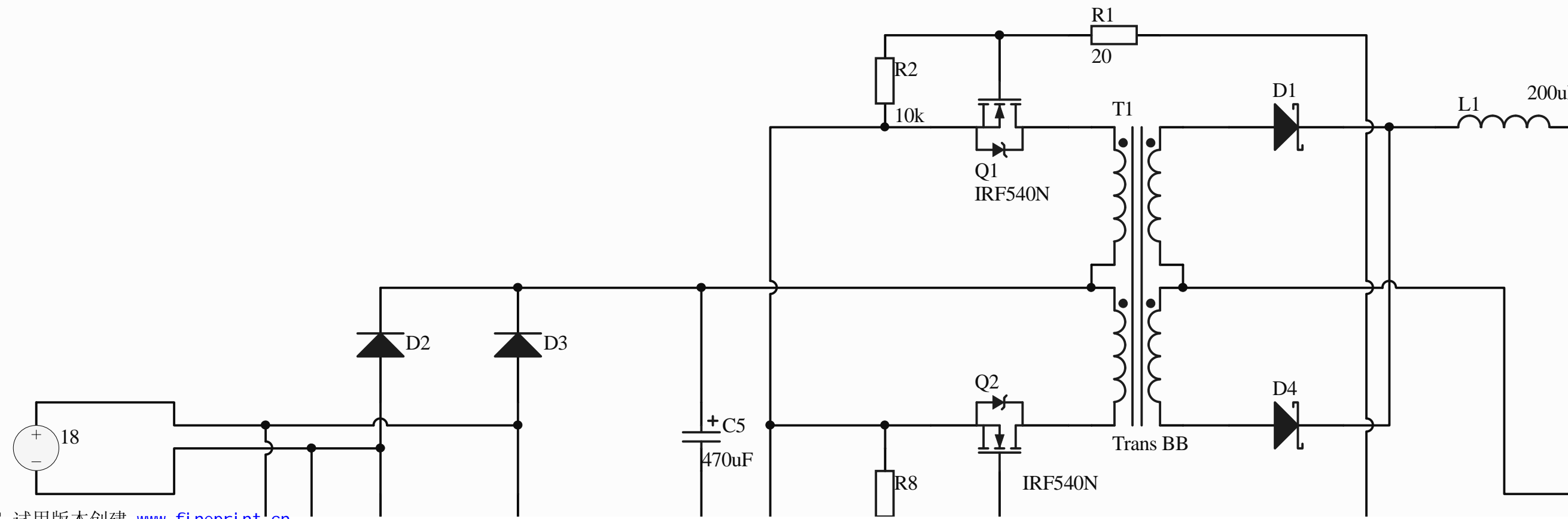
1

2

3

4

A

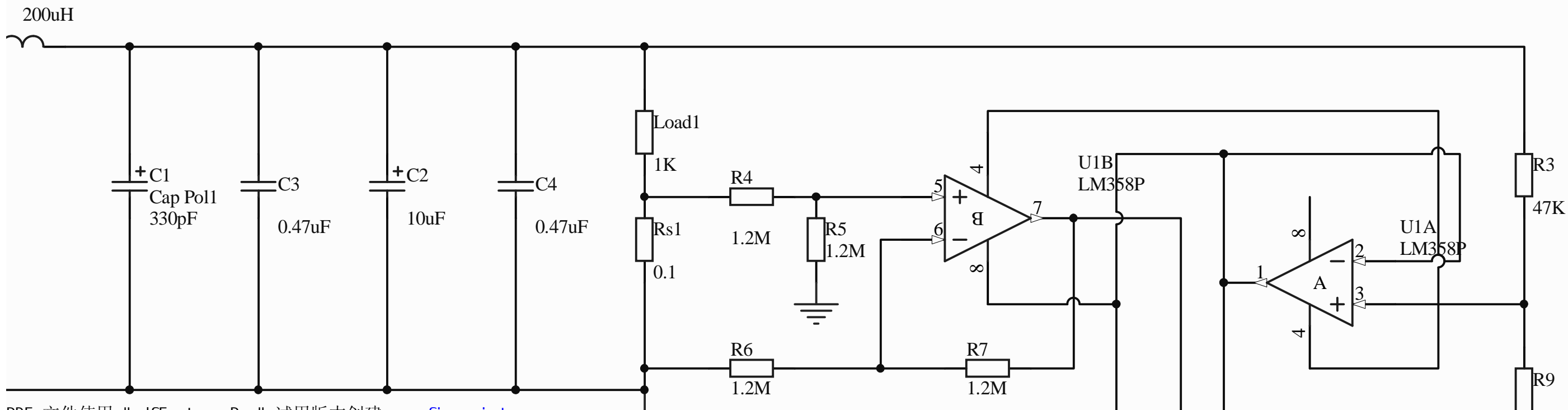


5

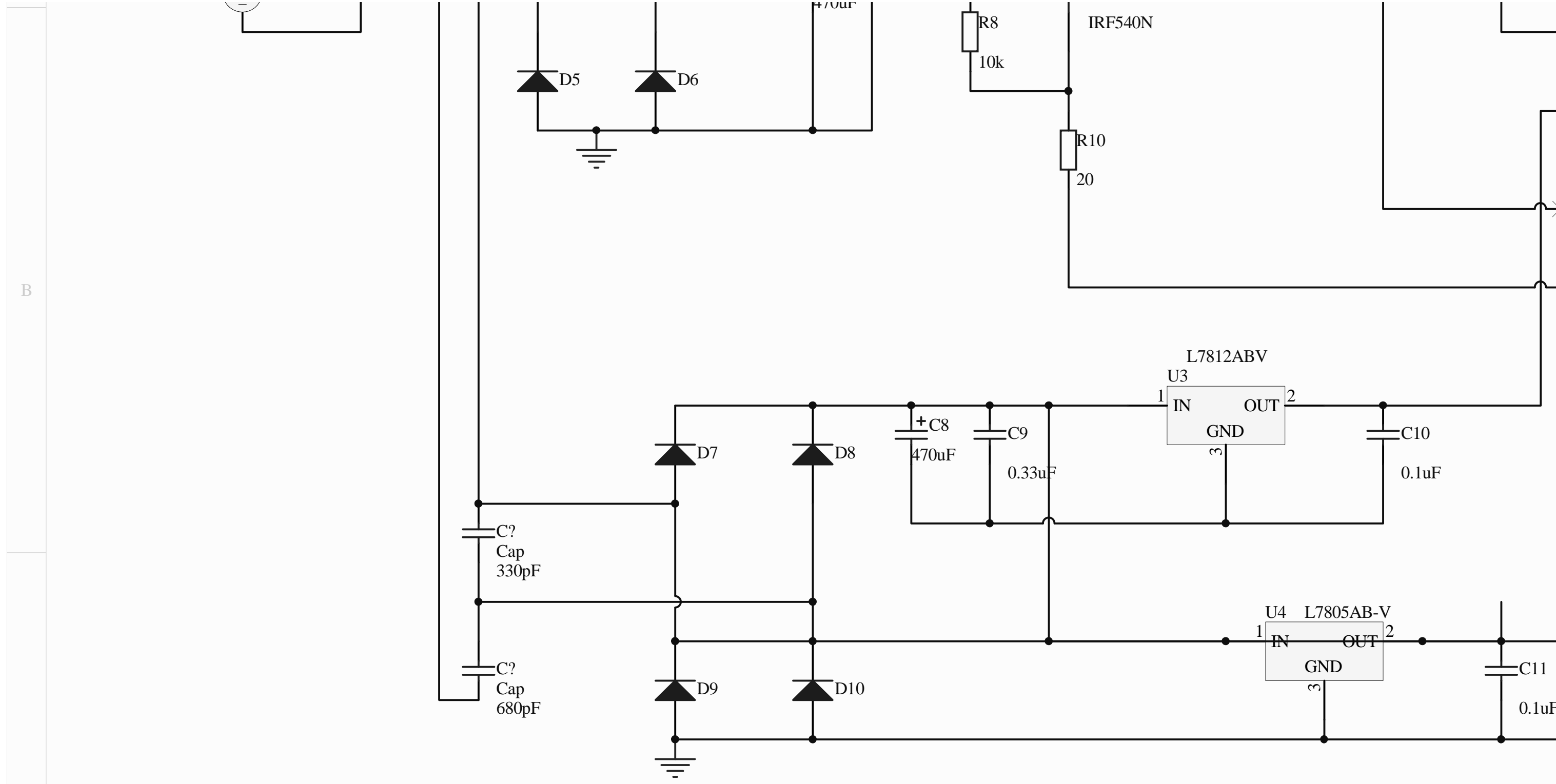
6

7

8

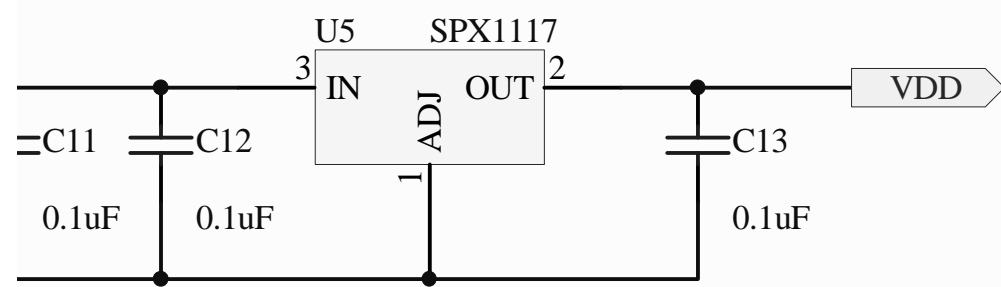
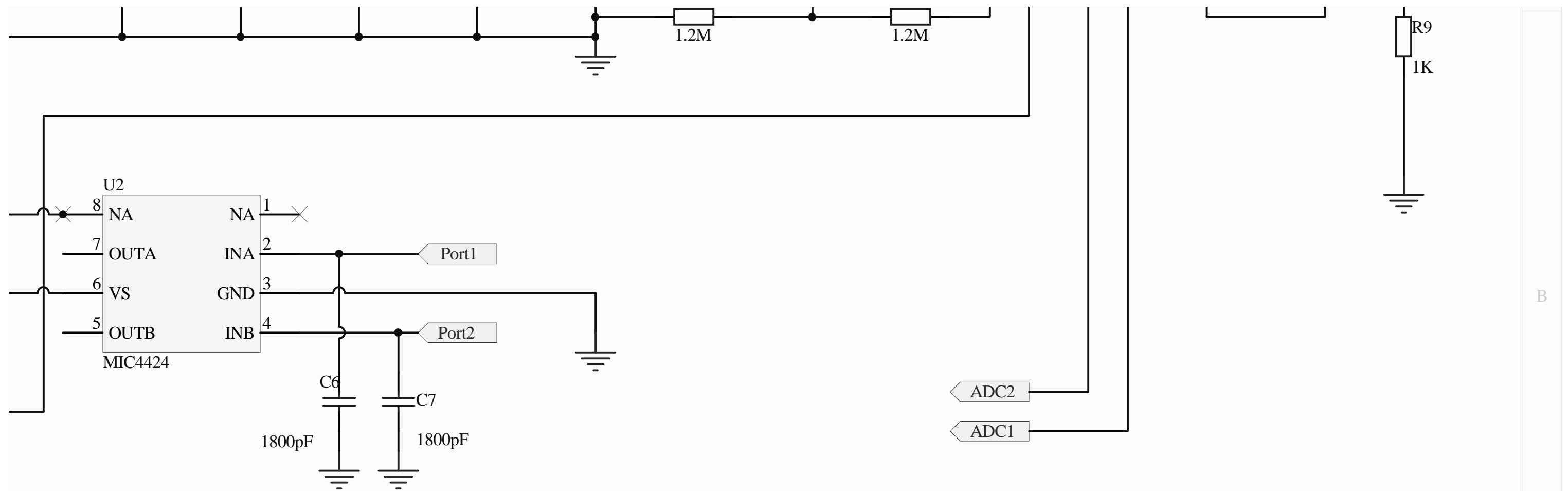


A



B

C



B

C

D					
	1	2	3	4	

D

Title		
Size	Number	Revision
A3		
Date:	2009-8-1	Sheet of
File:	D:\Altium2004 SP2\..\again.SchDoc	Drawn By:

5

6

7

8