

300KHz 36V Boost 3W LED Constant Current Driver**XL6003****Features**

- Wide 3.6V to 36V Input Voltage Range
- 0.2V reference adjustable version
- Fixed 300KHz Switching Frequency
- 1050mA Constant Current Capability
- SW PIN Built in Over Voltage Protection
- Excellent line and load regulation
- EN PIN TTL shutdown capability & With PWM Dimming Function
- Internal Optimize Power MOSFET
- High efficiency
- Built in Frequency Compensation
- Built in Thermal Shutdown Function
- Built in Current Limit Function
- Available in SOP8 package

Applications

- LED Lighting

General Description

The XL6003 regulator is fixed frequency PWM Boost (step-up) DC/DC converter, capable of driving 1050mA load current with excellent line and load regulation. The regulator is simple to use because it includes internal frequency compensation and a fixed-frequency oscillator so that it requires a minimum number of external components to work.

The XL6003 could directly drive 5~10 3W LED units at VIN=12V.

The PWM control circuit is able to adjust the duty ratio linearly from 0 to 95%. An enable function, an over current protection function is built inside. An internal compensation block is built in to minimize external component count.



SOIC-8

Figure1. Package Type of XL6003

Pin Configurations

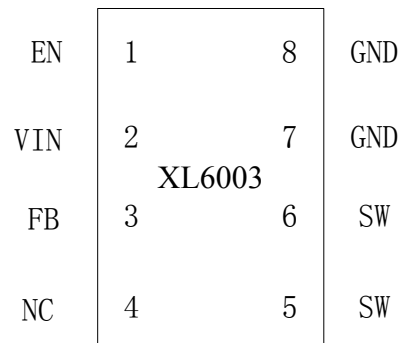


Figure2. Pin Configuration of XL6003 (Top View)

Table 1 Pin Description

Pin Number	Pin Name	Description
1	EN	Enable Pin. Drive EN pin low to turn off the device, drive it high to turn it on. Floating is default high.
2	VIN	Supply Voltage Input Pin. XL6003 operates from a 3.6V to 32V DC voltage. Bypass Vin to GND with a suitably large capacitor to eliminate noise on the input.
3	FB	Feedback Pin (FB). The feedback threshold voltage is 0.2V.
4	NC	No Connected.
5,6	SW	Power Switch Output Pin (SW). Output is the switch node that supplies power to the output.
7,8	GND	Ground Pin.

300KHz 36V Boost 3W LED Constant Current Driver

XL6003

Function Block

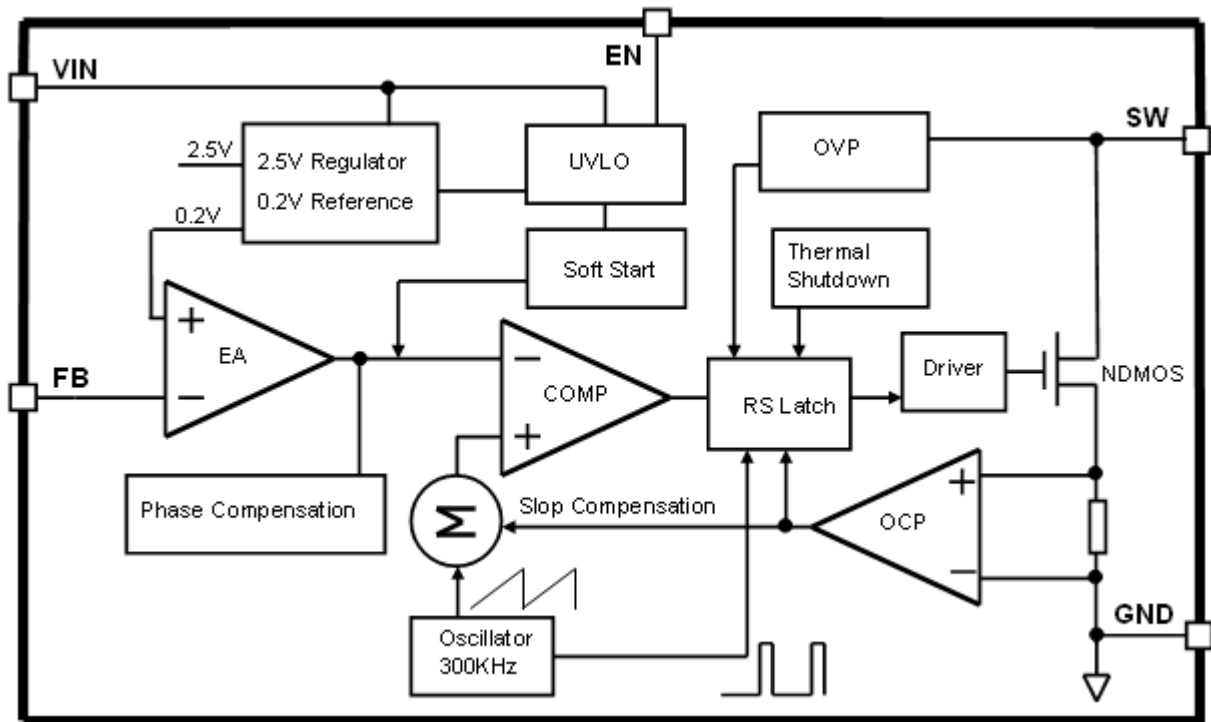


Figure3. Function Block Diagram of XL6003

Typical Application Circuit

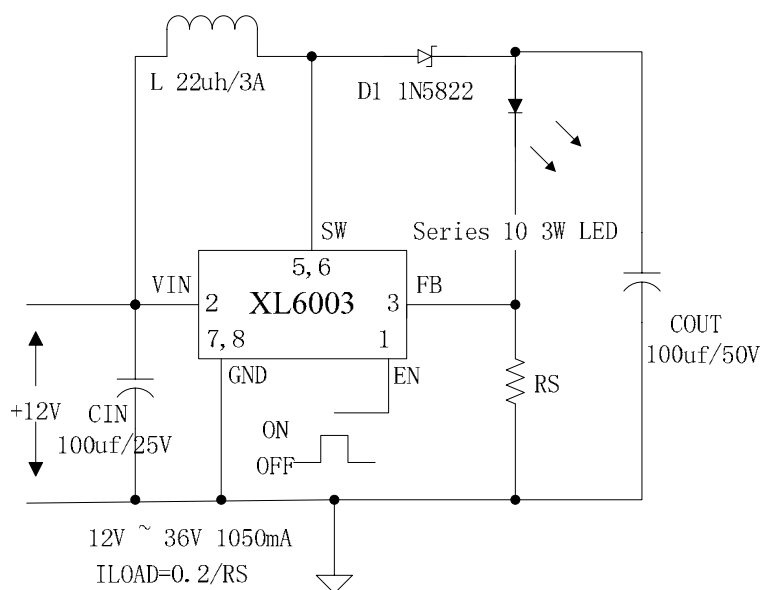


Figure4. XL6003 Typical Application Circuit

300KHz 36V Boost 3W LED Constant Current Driver

XL6003

Ordering Information

Package	Temperature Range	Part Number	Marking ID	Packing Type
		Lead Free	Lead Free	
		XL6003E1	XL6003E1	Tube
		XL6003TRE1	XL6003E1	Tape & Reel

XLSEMI Pb-free products, as designated with “E1” suffix in the par number, are RoHS compliant.

Absolute Maximum Ratings (Note1)

Parameter	Symbol	Value	Unit
Input Voltage	V _{in}	-0.3 to 40	V
Feedback Pin Voltage	V _{FB}	-0.3 to V _{in}	V
EN Pin Voltage	V _{EN}	-0.3 to V _{in}	V
Output Switch Pin Voltage	V _{Output}	-0.3 to V _{in}	V
Power Dissipation	P _D	Internally limited	mW
Thermal Resistance (SOP8) (Junction to Ambient, No Heatsink, Free Air)	R _{JA}	100	°C/W
Operating Junction Temperature	T _J	-40 to 125	°C
Storage Temperature	T _{STG}	-65 to 150	°C
Lead Temperature (Soldering, 10 sec)	T _{LEAD}	260	°C
ESD (HBM)		2000	V

Note1: Stresses greater than those listed under Maximum Ratings may cause permanent damage to the device. This is a stress rating only and functional operation of the device at these or any other conditions above those indicated in the operation is not implied. Exposure to absolute maximum rating conditions for extended periods may affect reliability.

300KHz 36V Boost 3W LED Constant Current Driver

XL6003

XL6003 Electrical Characteristics

$T_a = 25^\circ\text{C}$; unless otherwise specified.

Symbol	Parameter	Test Condition	Min.	Typ.	Max.	Unit
<i>System parameters test circuit figure4</i>						
VFB	Feedback Voltage	$V_{in} = 3.6\text{V to } 10\text{V}$, $V_{out}=12\text{V}$ $I_{load}=0.01\text{A to } 1.05\text{A}$	190	200	210	mV
Efficiency	η	$V_{in}=5\text{V}$, $V_{out}=12\text{V}$ $I_{out}=1.05\text{A}$	-	90	-	%

Electrical Characteristics (DC Parameters)

$V_{in} = 12\text{V}$, $GND=0\text{V}$, V_{in} & GND parallel connect a $220\mu\text{f}/50\text{V}$ capacitor; $I_{out}=1050\text{mA}$, $T_a = 25^\circ\text{C}$; the others floating unless otherwise specified.

Parameters	Symbol	Test Condition	Min.	Typ.	Max.	Unit
Input operation voltage	V_{in}		3.6		36	V
Shutdown Supply Current	I_{STBY}	$V_{EN}=0\text{V}$		50	100	μA
Quiescent Supply Current	I_q	$V_{EN} = 2\text{V}$, $V_{FB} = V_{in}$		3	5	mA
Oscillator Frequency	F_{osc}		255	300	345	Khz
Switch Current Limit	I_L	$V_{FB} = 0$		3.5		A
EN Pin Threshold	V_{EN}	High (Regulator ON) Low (Regulator OFF)		1.4 0.8		V
EN Pin Input Leakage Current	I_H	$V_{EN} = 2\text{V}$ (ON)		3	10	μA
	I_L	$V_{EN} = 0\text{V}$ (OFF)		3	10	μA
Max. Duty Cycle	D_{MAX}	$V_{FB}=0\text{V}$		95		%

300KHz 36V Boost 3W LED Constant Current Driver

XL6003

Schottky Diode Selection Table

Current	Surface Mount	Through Hole	VR (The same as system maximum input voltage)				
			20V	30V	40V	50V	60V
1A		✓	1N5817	1N5818	1N5819		
3A		✓	1N5820	1N5821	1N5822		
		✓	MBR320	MBR330	MBR340	MBR350	MBR360
	✓		SK32	SK33	SK34	SK35	SK36
	✓			30WQ03	30WQ04	30WQ05	
		✓		31DQ03	31DQ04	31DQ05	
		✓	SR302	SR303	SR304	SR305	SR306

Typical System Application for 12V ~ 10 x 3W LED

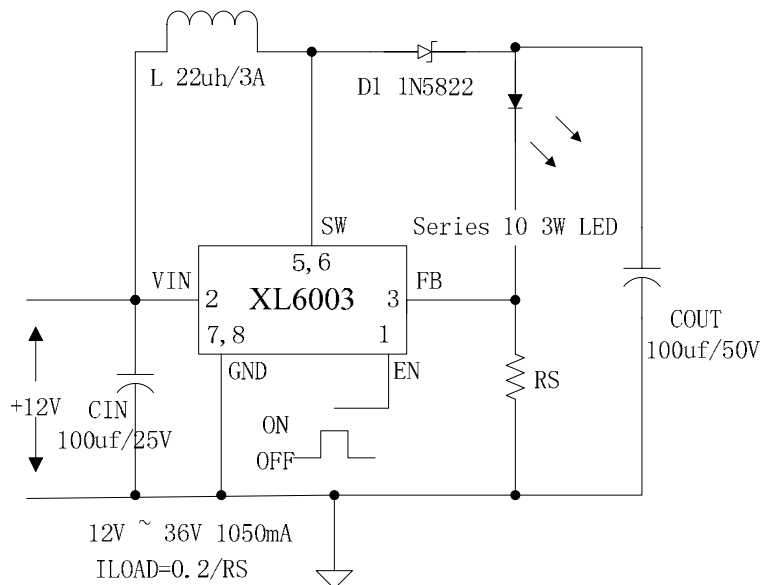


Figure5. XL6003 System Parameters Test Circuit (12V ~ 10 x 3W LED)

Package Information

SOP8 Package Mechanical Dimensions

