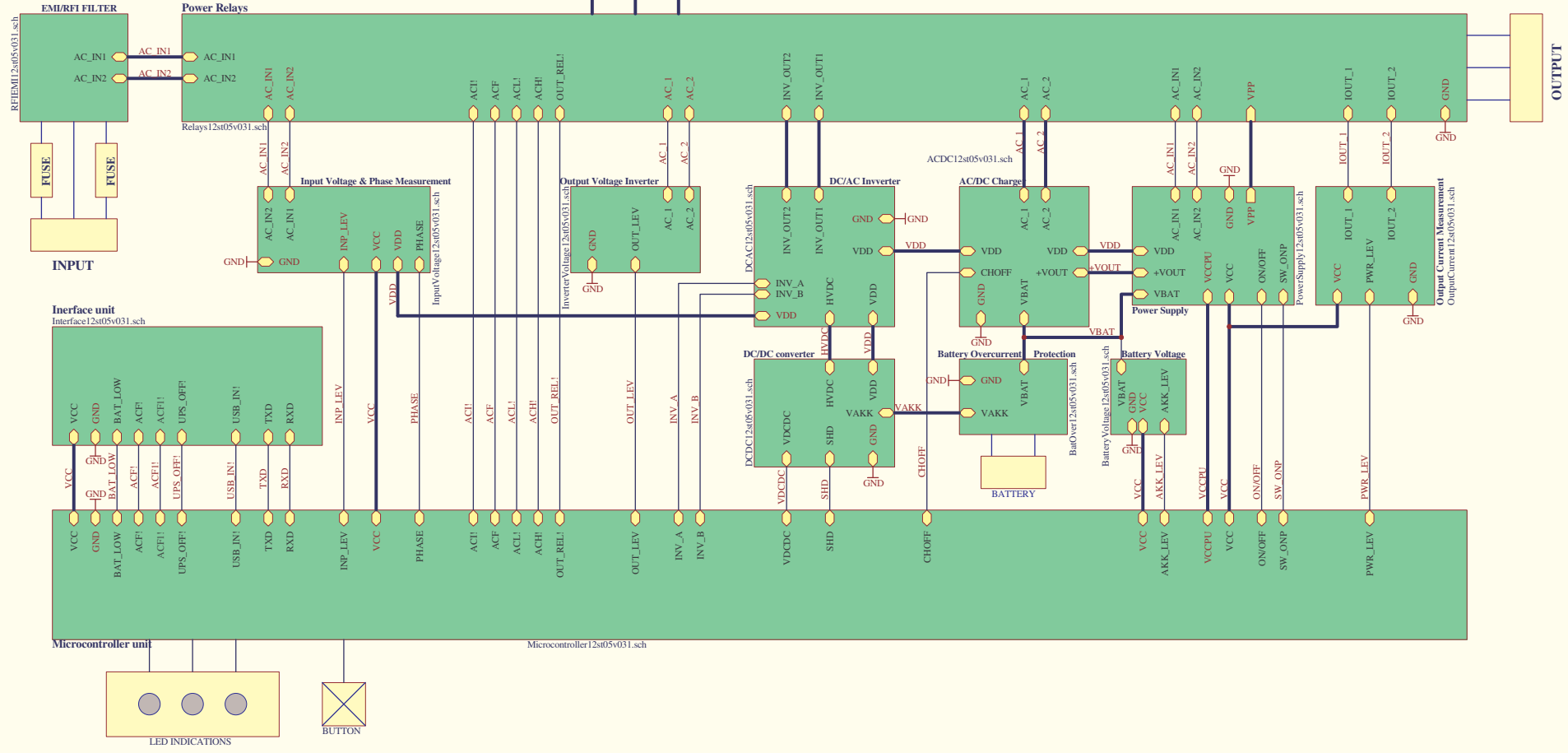


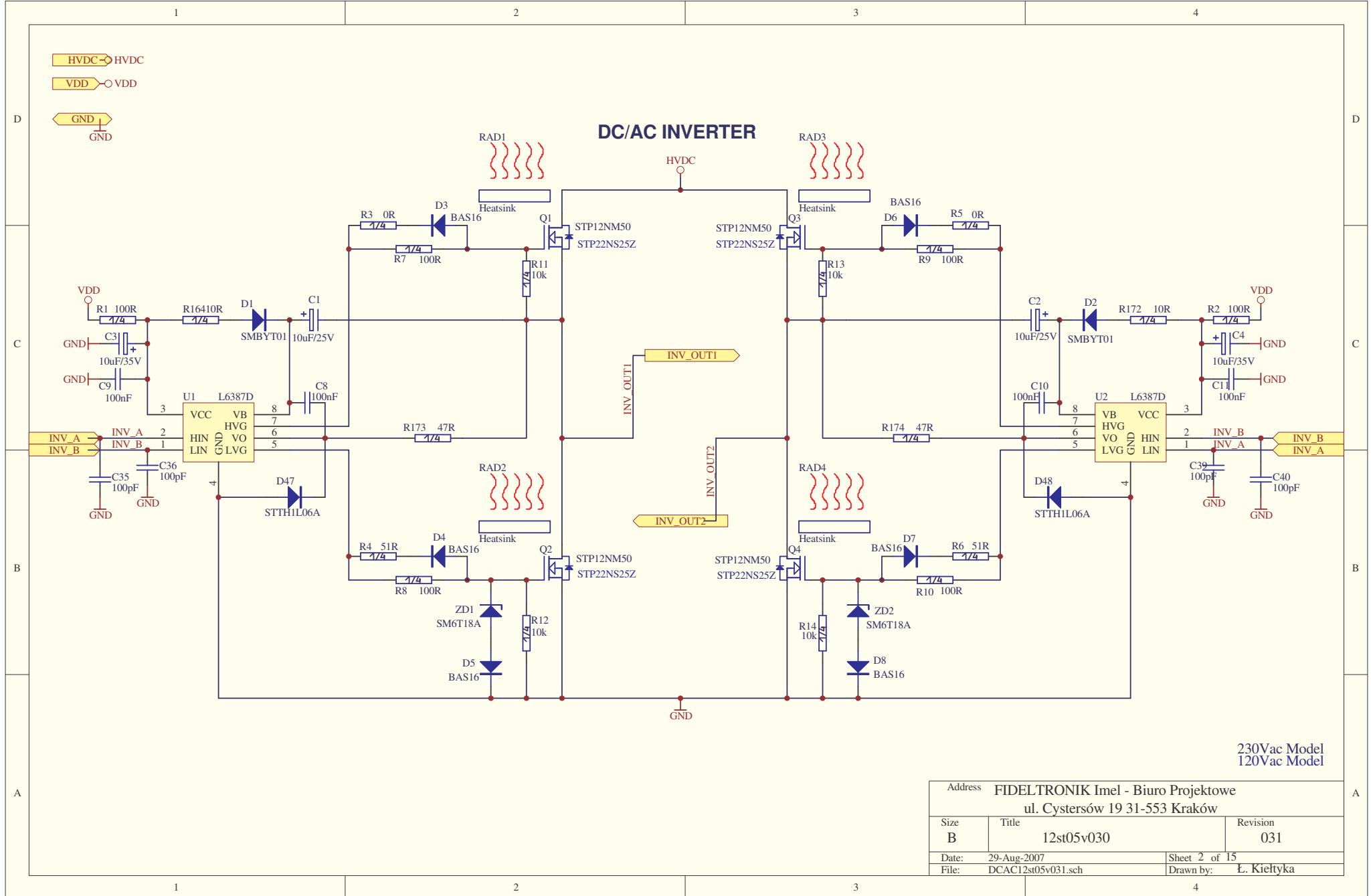
Wymagania dotyczące projektu PCB

ILOŚĆ WARSTW.....2
 ELEMENTY PRZEWLEKANE.....TOP
 ELEMENTY SMD.....BOTTOM
 TYPI LAMINATU.....FR4
 GRUBOŚĆ LAMINATU.....1.5mm
 GRUBOŚĆ MIEDZI.....35um
 ŚREDNICA PRZELOTOK.....XX-XX(zakres)
 ŚREDNICA OTWORÓW PRZELOTOK.....XX-XX(zakres)
 SZEROKOŚĆ POŁĄCZEN.....10-300mil

AVR TRAFÓ



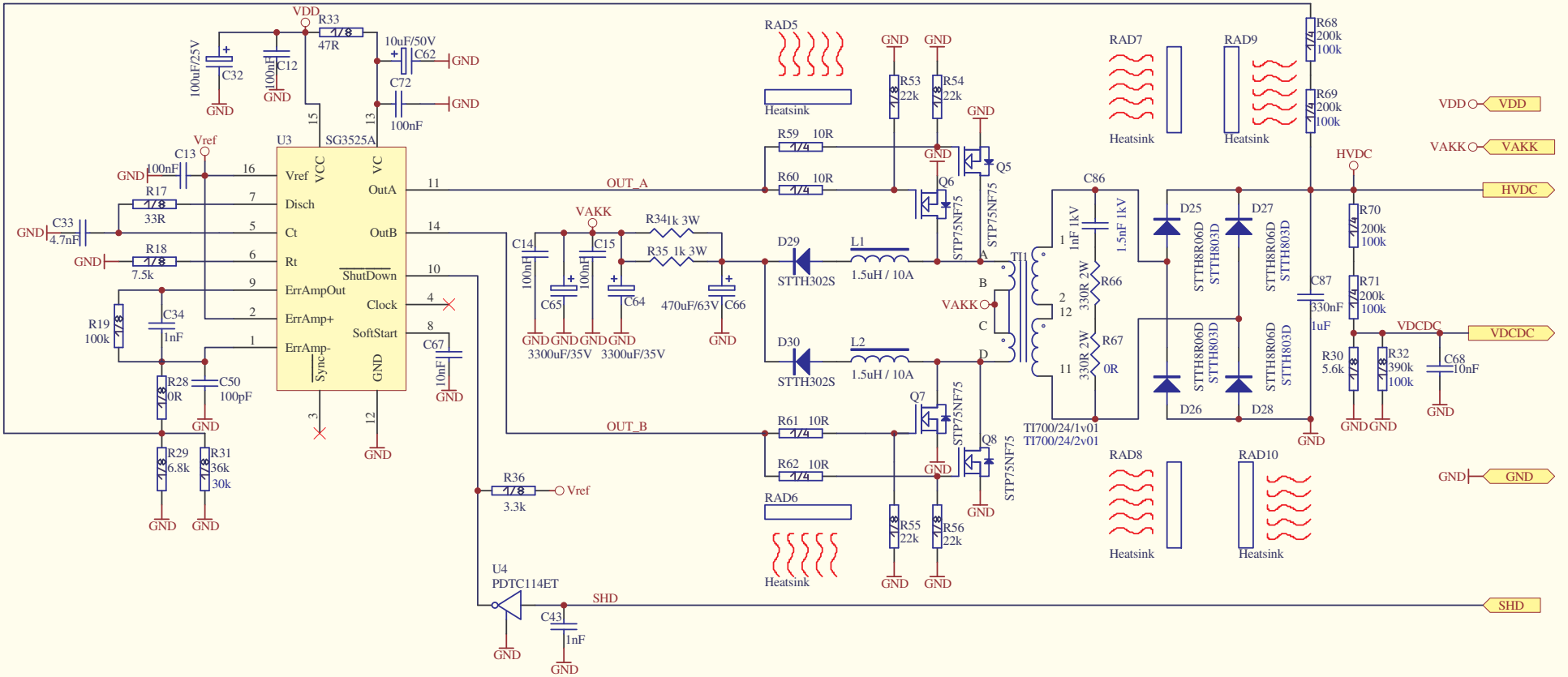
Address FIDELTRONIK Imel - Biuro Projektowe ul. Cystersów 19 31-553 Kraków		
Size B	Title 12st05v020	Revision 031
Date: 29-Aug-2007	Sheet 1 of 15	Drawn by: L. Kiełtyka
File: 12st05v031.prj		



230Vac Model
120Vac Model

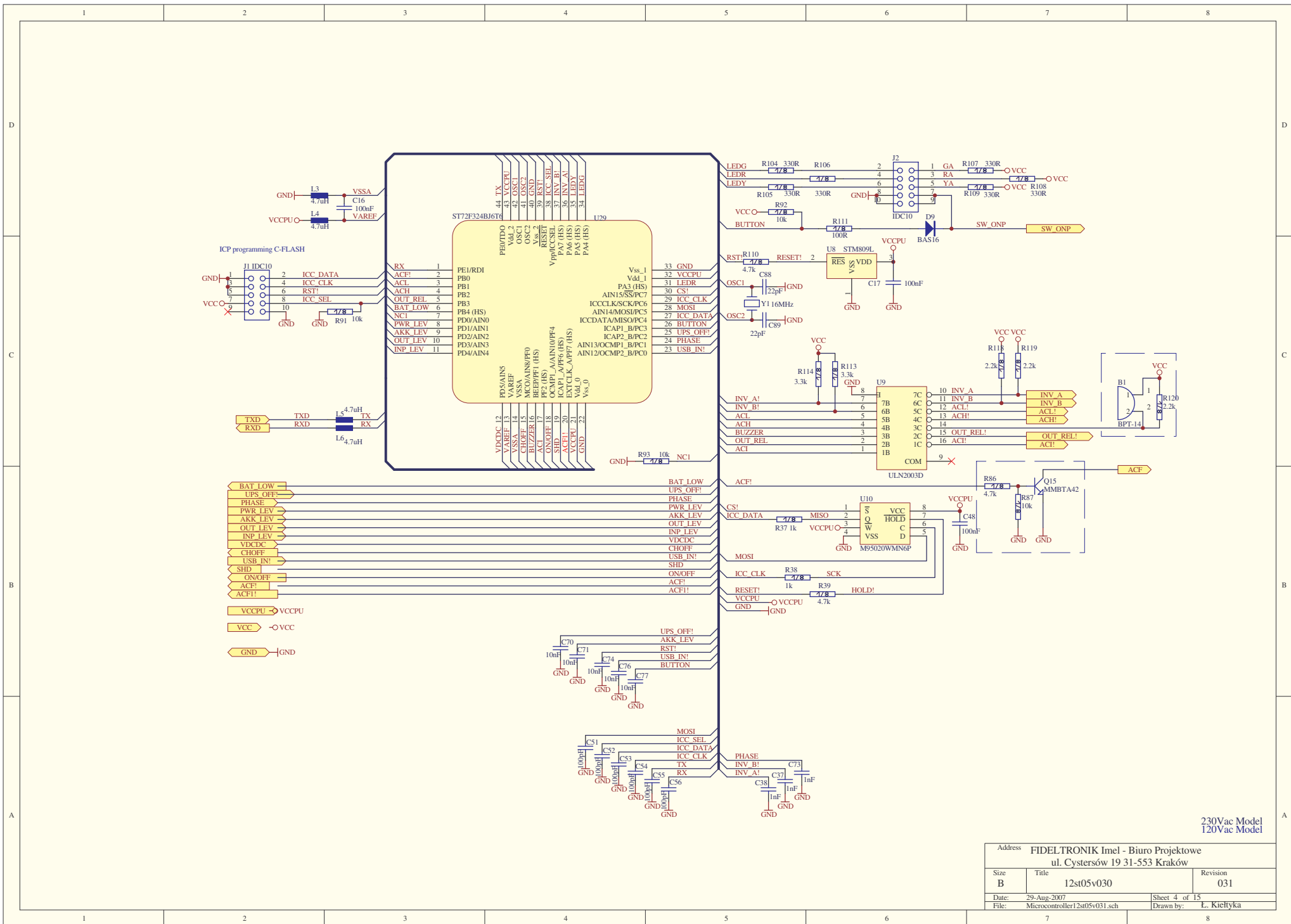
Address FIDELTRONIK Imel - Biuro Projektowe ul. Cystersów 19 31-553 Kraków		
Size B	Title 12st05v030	Revision 031
Date: 29-Aug-2007	Sheet 2 of 15	
File: DCAC12st05v031.sch	Drawn by: Ł. Kiełtyka	

DC/DC CONVERTER



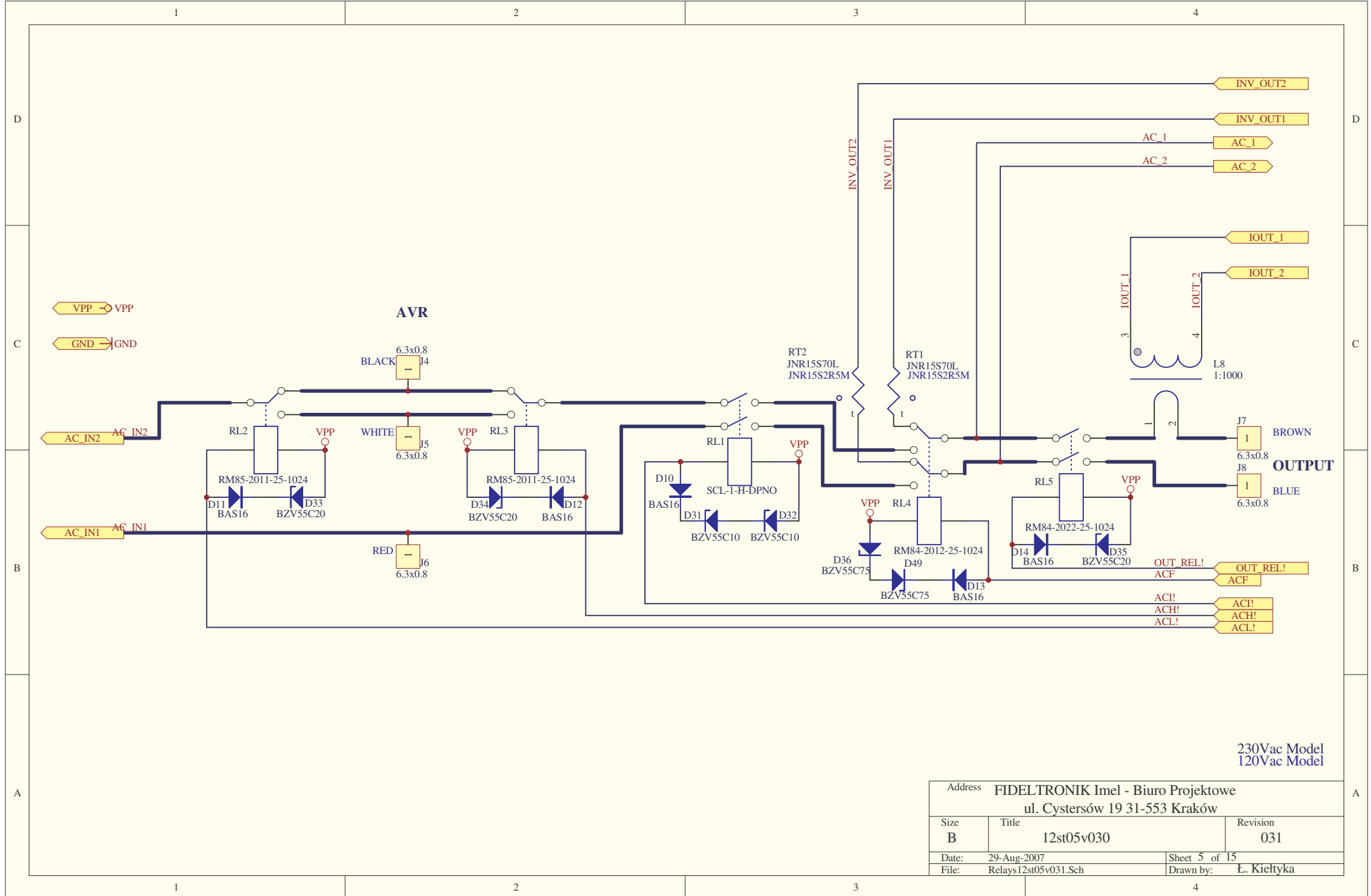
230Vac Model
120Vac Model

Address FIDELTRONIK Imel - Biuro Projektowe		
ul. Cystersów 19 31-553 Kraków		
Size B	Title 12st05v030	Revision 031
Date: 29-Aug-2007	Sheet 3 of 15	
File: DCDC12st05v031.sch	Drawn by:	Ł. Kiełtyka



230Vac Model
120Vac Model

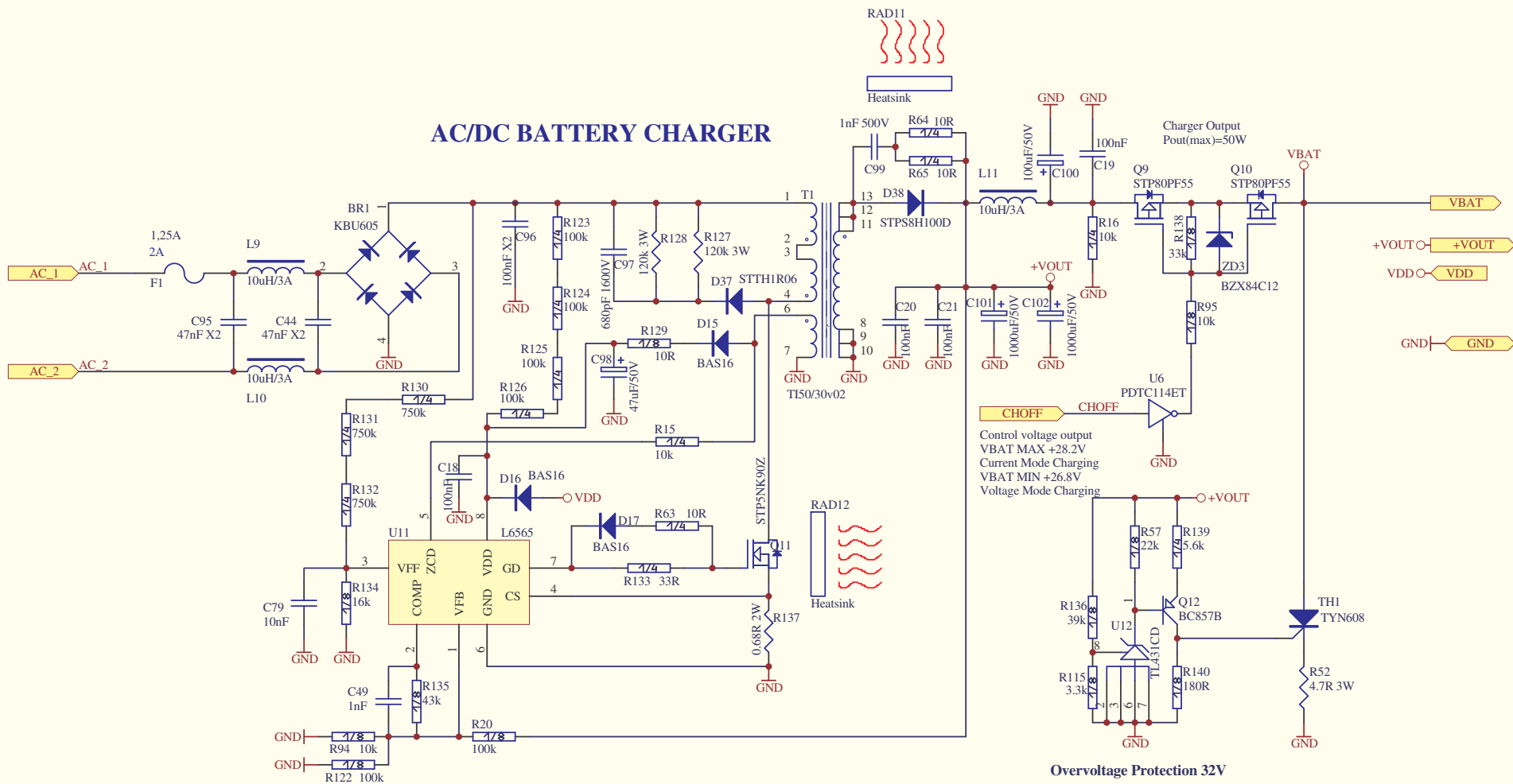
Address FIDELTRONIK Imel - Biuro Projektowe ul. Cystersów 19 31-553 Kraków		
Size B	Title 12st05v030	Revision 031
Date: 29-Aug-2007	Sheet 4 of 15	
File: Microcontroller12st05v031.sch	Drawn by: L. Kiełtyka	



230Vac Model
120Vac Model

Address		FIDELTRONIK Imel - Biuro Projektowe ul. Cystersów 19 31-553 Kraków	
Size	Title	Revision	
B	12st05v030	031	
Date:	29-Aug-2007	Sheet	5 of 15
File:	Relays12st05v031.Sch	Drawn by:	Ł. Kiełtyka

AC/DC BATTERY CHARGER

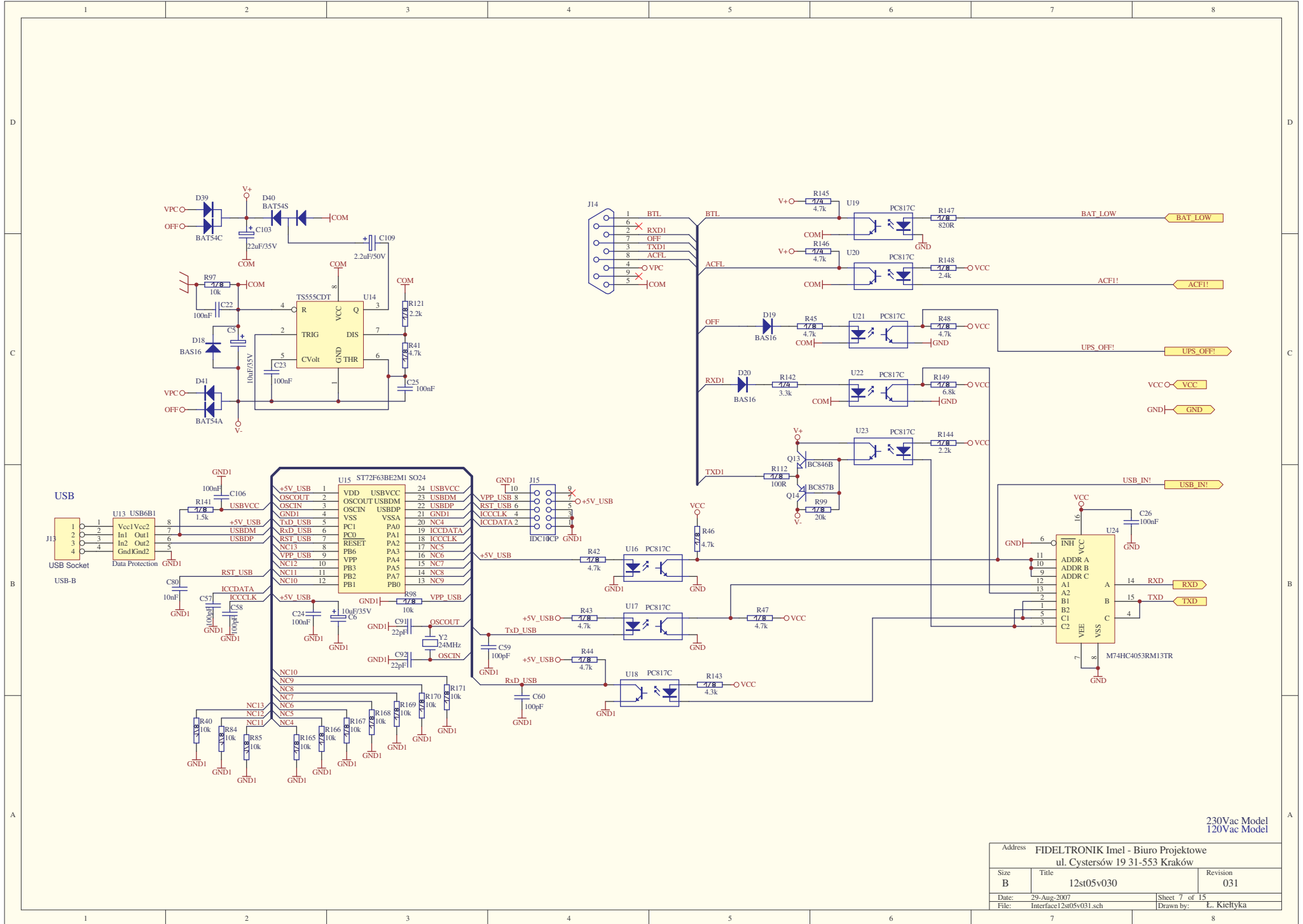


Control voltage output
 VBAT MAX +28.2V
 Current Mode Charging
 VBAT MIN +26.8V
 Voltage Mode Charging

Overvoltage Protection 32V

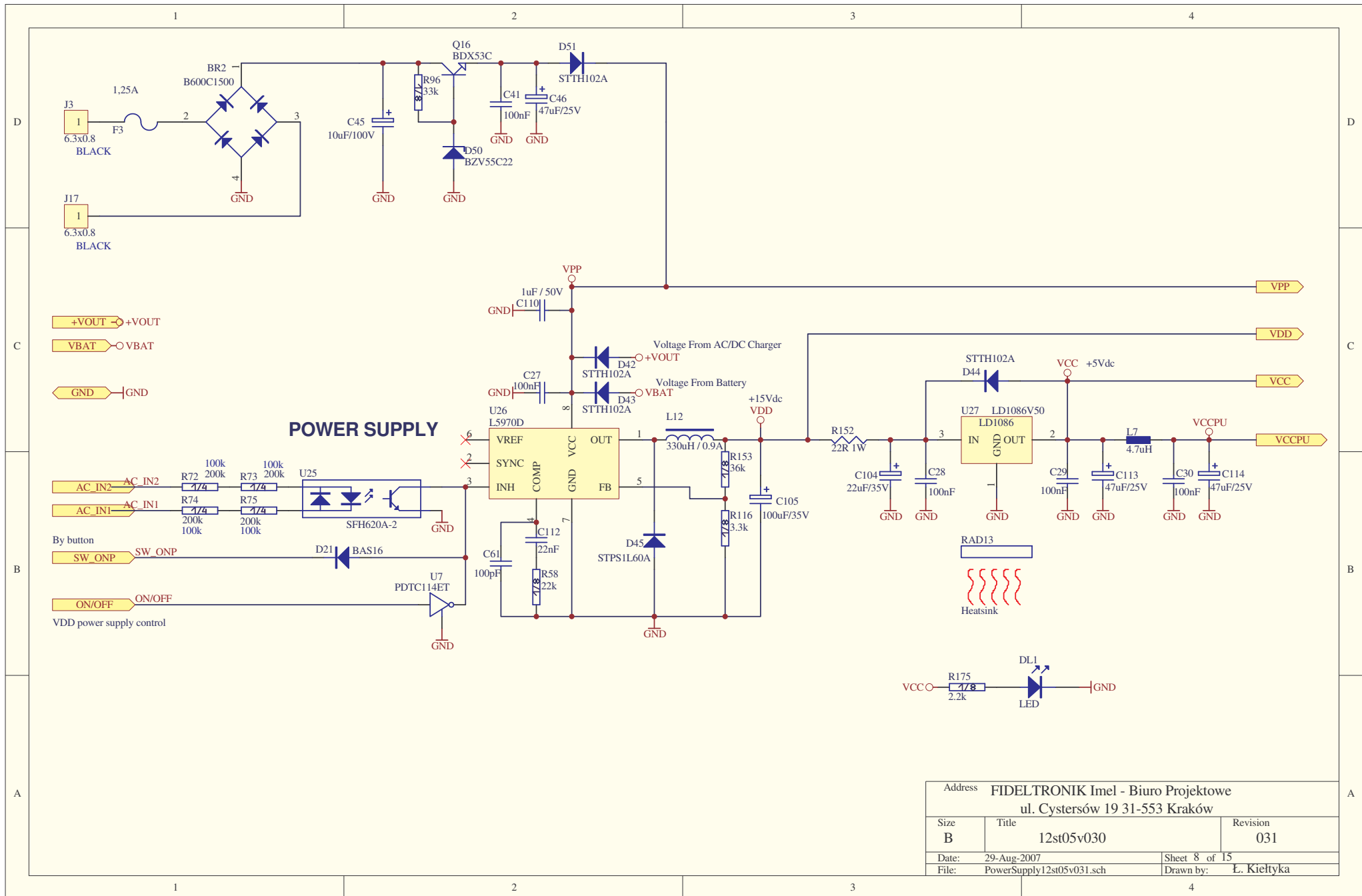
230Vac Model
 120Vac Model

Address FIDELTRONIK Imel - Biuro Projektowe		
ul. Cystersów 19 31-553 Kraków		
Size B	Title 12st05v030	Revision 031
Date: 29-Aug-2007	Sheet 6 of 15	
File: ACDC12st05v031.sch	Drawn by: Ł. Kiełtyka	



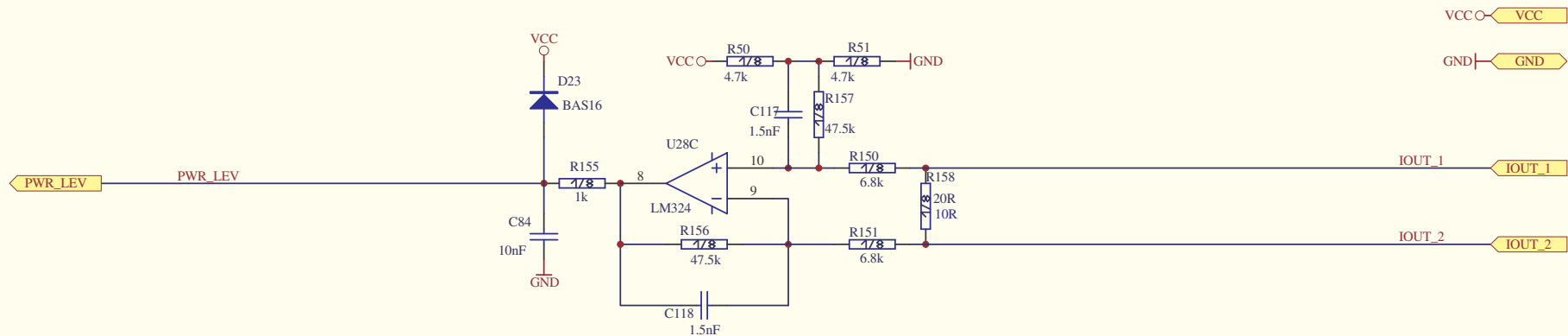
230Vac Model
120Vac Model

Address FIDELTRONIK Imel - Biuro Projektowe ul. Cystersów 19 31-553 Kraków		
Size B	Title 12st05v030	Revision 031
Date: 29-Aug-2007	Sheet 7 of 15	
File: Interface12st05v031.sch	Drawn by: L. Kiełtyka	



Address FIDELTRONIK Imel - Biuro Projektowe ul. Cystersów 19 31-553 Kraków		
Size B	Title 12st05v030	Revision 031
Date: 29-Aug-2007	Sheet 8 of 15	
File: PowerSupply12st05v031.sch	Drawn by: Ł. Kiełtyka	

OUTPUT CURRENT



230Vac Model
120Vac Model

Address FIDELTRONIK Imel - Biuro Projektowe ul. Cystersów 19 31-553 Kraków		
Size B	Title 12st05v030	Revision 030
Date: 29-Aug-2007	Sheet 10 of 15	
File: OutputCurrent12st05v031.sch	Drawn by: Ł. Kiełtyka	

1

2

3

4

D

D

C

C

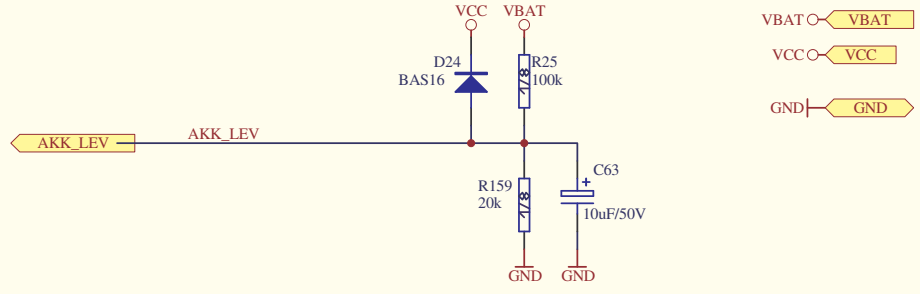
B

B

A

A

BATTERY VOLTAGE



230Vac Model
120Vac Model

Address FIDELTRONIK Imel - Biuro Projektowe ul. Cystersów 19 31-553 Kraków		
Size B	Title 12st05v030	Revision 031
Date: 29-Aug-2007	Sheet 11 of 15	
File: BatteryVoltage12st05v031.sch	Drawn by: Ł. Kiełtyka	

1

2

3

4

1

2

3

4

D

D

C

C

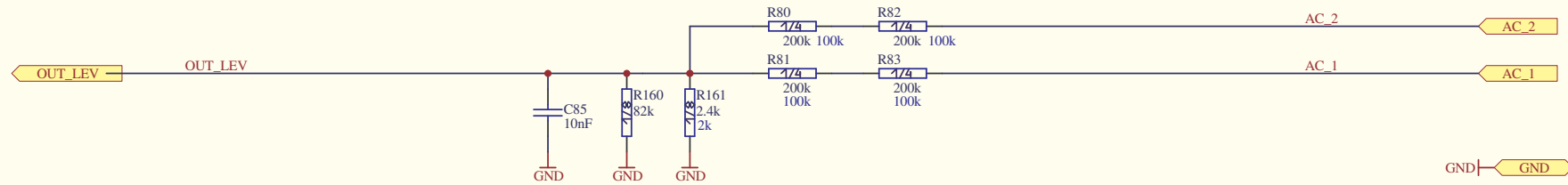
B

B

A

A

INVERTER OUTPUT VOLTAGE



230Vac Model
120Vac Model

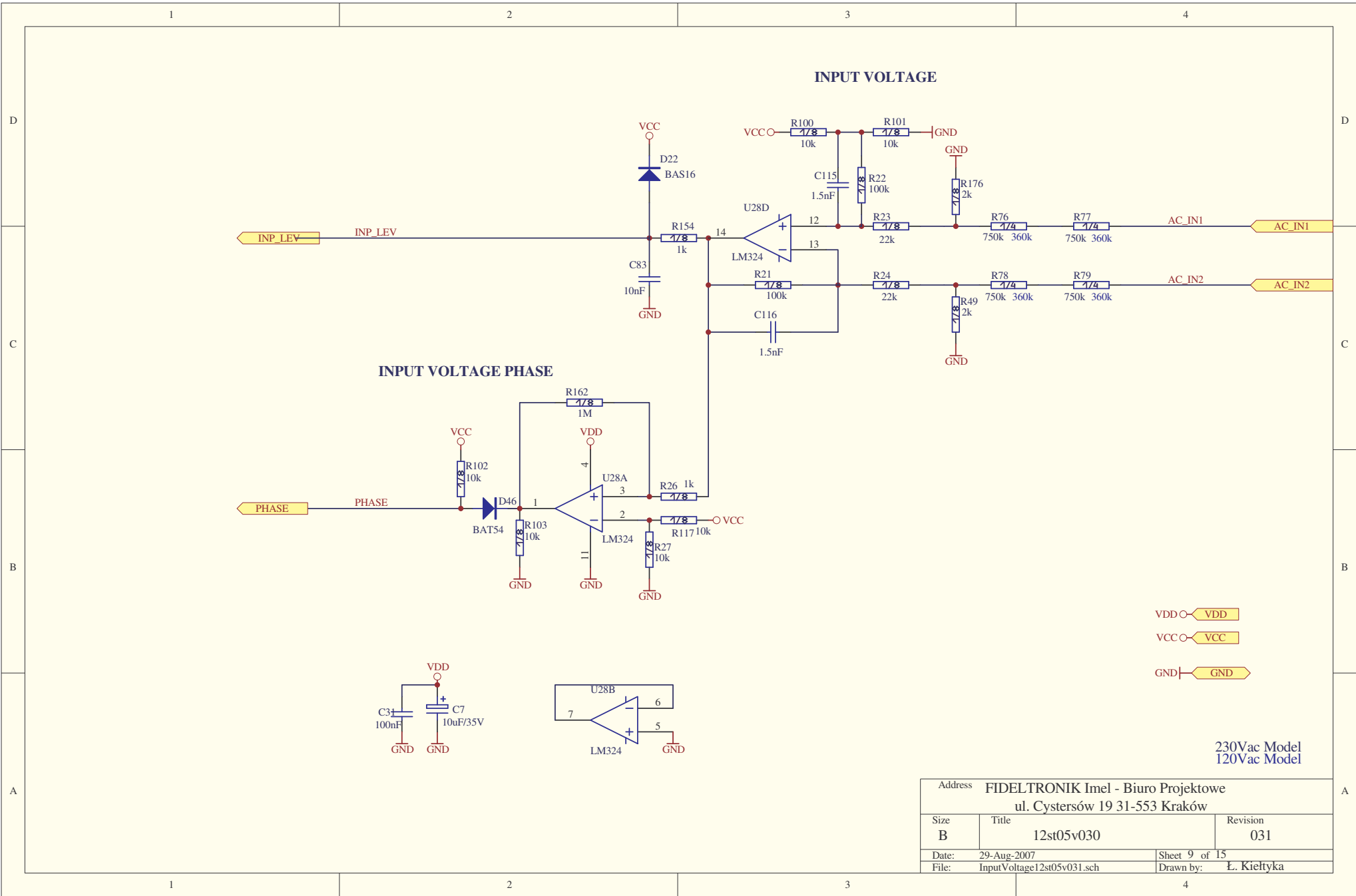
Address FIDELTRONIK Imel - Biuro Projektowe ul. Cystersów 19 31-553 Kraków		
Size B	Title 12st05v030	Revision 031
Date: 29-Aug-2007	Sheet 12 of 15	
File: InverterVoltage12st05v031.sch	Drawn by: Ł. Kiełtyka	

1

2

3

4



1

2

3

4

D

D

C

C

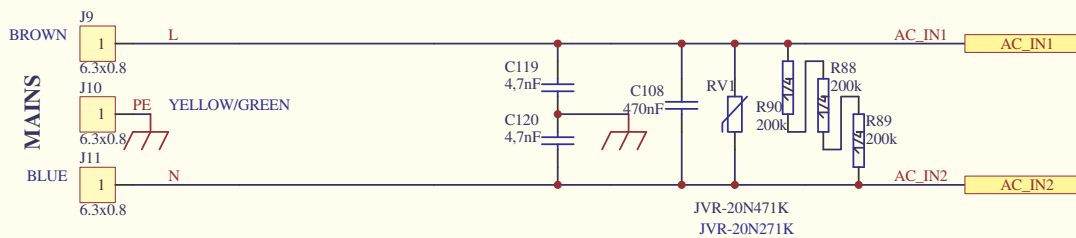
B

B

A

A

RFI/EMI FILTER



Address FIDELTRONIK Imel - Biuro Projektowe ul. Cystersów 19 31-553 Kraków		
Size B	Title 12st05v030	Revision 031
Date: 29-Aug-2007	Sheet 14 of 15	
File: RFIEMI12st05v031.sch	Drawn by: Ł. Kiełtyka	

1

2

3

4

1

2

3

4

D

D

C

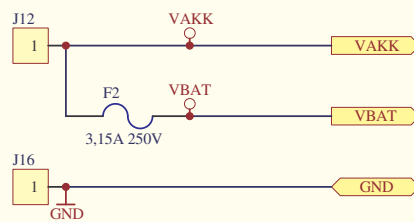
C

B

B

A

A



Address FIDELTRONIK Imel - Biuro Projektowe ul. Cystersów 19 31-553 Kraków		
Size B	Title 12st05v030	Revision 031
Date: 29-Aug-2007	Sheet 15 of 15	
File: BatOver12st05v031.sch	Drawn by: Ł. Kiełtyka	

1

2

3

4