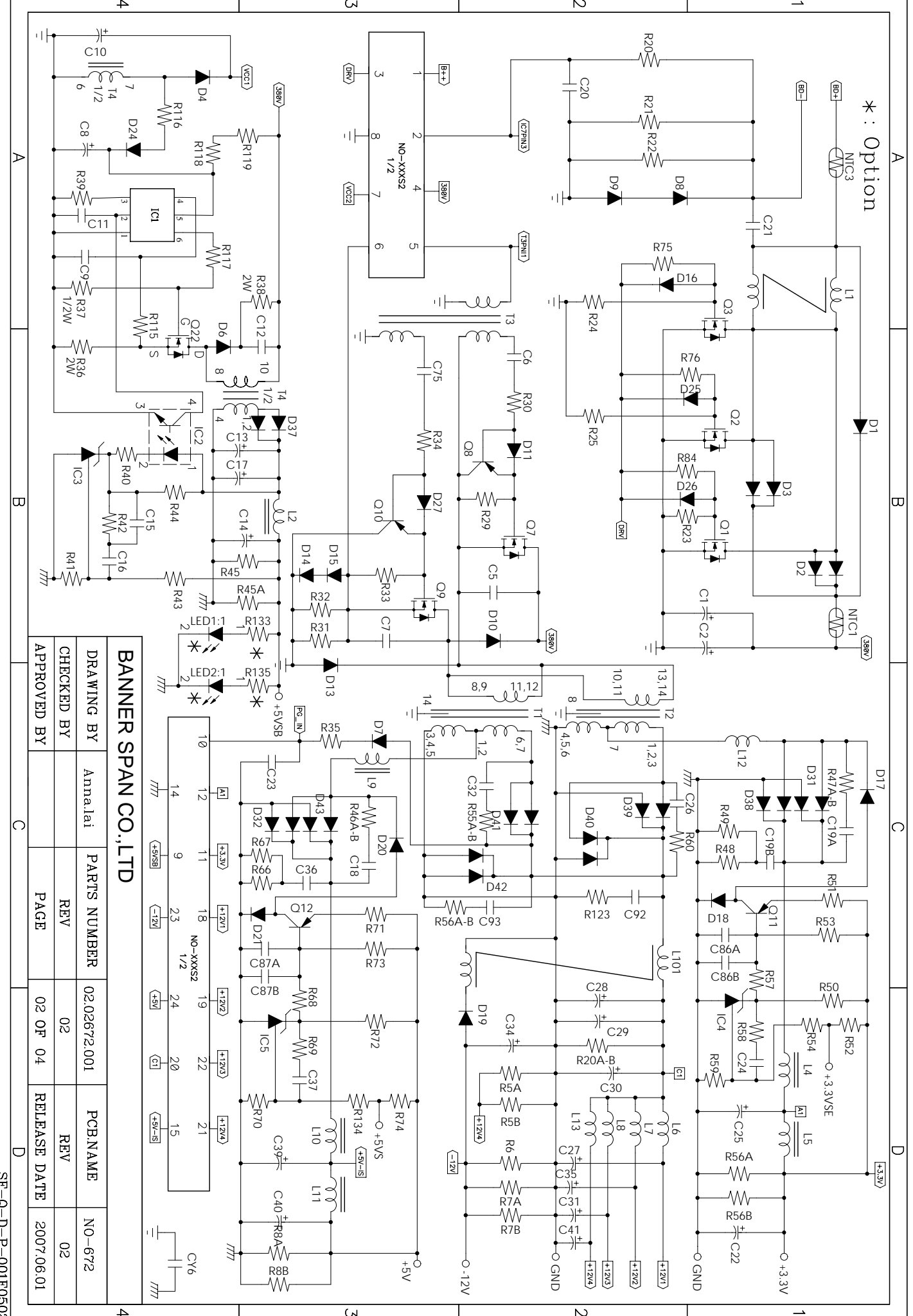


BANNER SPAN CO., LTD

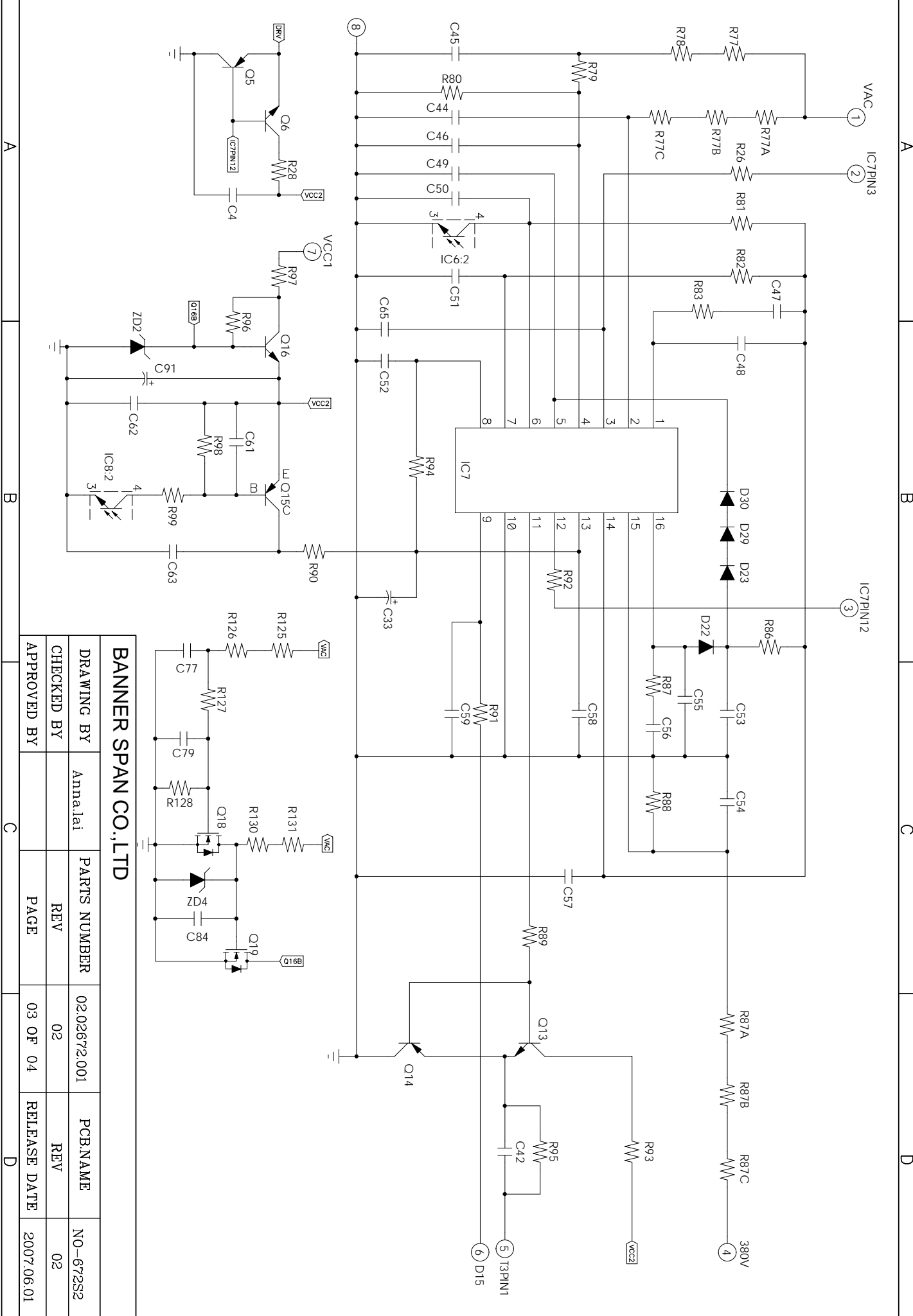
DRAWING BY	Anna.lai	PARTS NUMBER	02.02672.001	PCB NAME	NO-672S1
CHECKED BY		REV	02	REV	02
APPROVED BY		PAGE	01 OF 04	RELEASE DATE	2007.06.01



* : Option

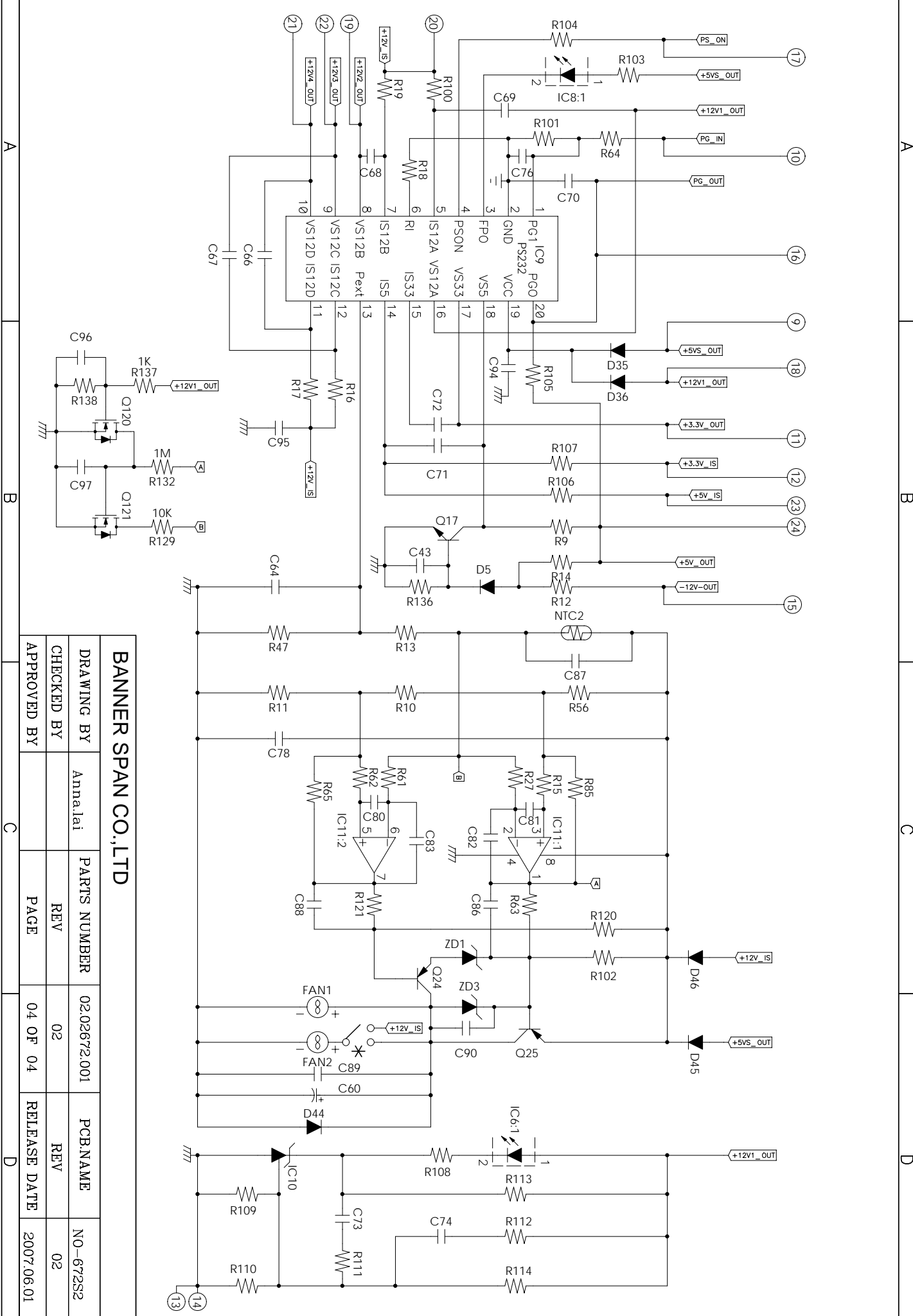
BANNER SPAN CO., LTD

DRAWING BY		PARTS NUMBER		PCB NAME	
Amalai		02.02672.001		NO-672	
CHECKED BY		REV		REV	
		02		02	
APPROVED BY		PAGE		RELEASE DATE	
		02 OF 04		2007.06.01	



BANNER SPAN CO., LTD

DRAWING BY	PARTS NUMBER	PCB NAME
Annalai	02.02672.001	NO-672S2
CHECKED BY	REV	REV
	02	02
APPROVED BY	PAGE	RELEASE DATE
	03 OF 04	2007.06.01



BANNER SPAN CO.,LTD

DRAWING BY	Annalalai	PARTS NUMBER	02.02672.001	PCBNAME	NO-672S2
CHECKED BY		REV	02	REV	02
APPROVED BY		PAGE	04 OF 04	RELEASE DATE	2007.06.01