

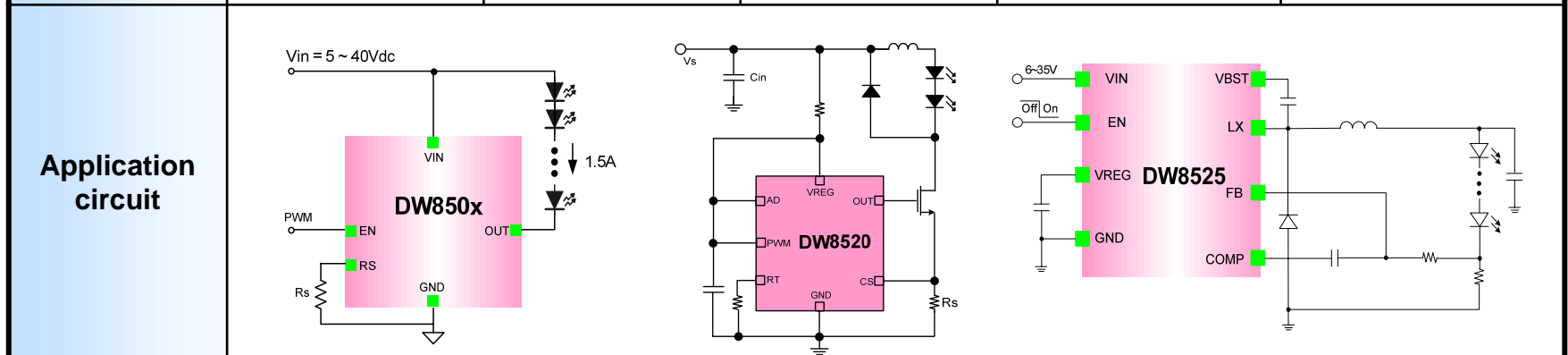
High Power LED Driver For Illuminations

DONGWOON
ANATECH

Apr. 14, 2008

Product Line up for Illuminations

	DW8500	DW8501	DW8505	DW8520	DW8525
Topology	Linear Type	Linear Type	Linear Type	Buck Type (High Power output /High Efficiency)	Buck Type (Low Power output /High Efficiency)
Input Voltage	5V~40V	5V~40V	5V~40V	DC 9V~450V	6V~35V
Output Current	300mA	Up to 1.5A	Under 60mA	-	Up to 1A
Current Control	Fixed	Adjustable	Adjustable	Adjustable	Adjustable
Protection	TSD (Derating)	TSD (Derating)	TSD (Derating)	-	TSD (Derating)
Dimming	Power On/Off	PWM	PWM	PWM,AD	-
Package	SOT89-3 (4.5x2.45x1.5)	SOT223-5 (6.5x3.5x1.8) TO252-5 (6.5x5.5x2.3)	TSV-5 (2.9x2.8x0.7)	8-SOIC (4.9x6.0x1.4)	8-SOIC (4.9x6.0x1.4)



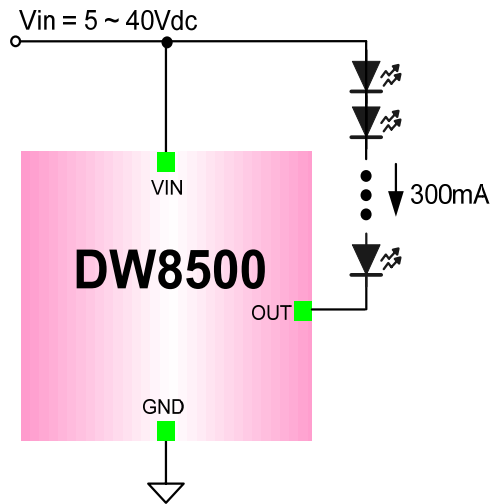
Features

- 5V to 40V Supply voltage
- Regulated output current 300mA fixed
- Low dropout voltage : Max. 300mV @ $I_{LED}=300mA$
- Built-in thermal shutdown circuit
- Thermal enhanced package SOT89-3 Lead

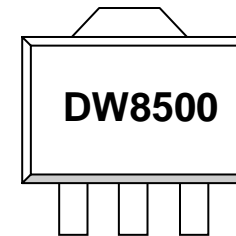
Applications

- LED light bulbs
- Signage and decorative LED lighting
- General lighting of flat panel displays
- RGB backlighting LED driver
- Current stabilizer with DC/DC or AC/DC
- General purpose constant current source

Typical Application

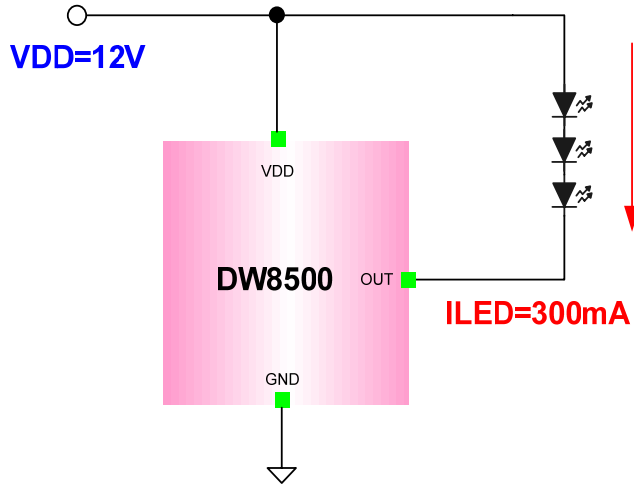


Package

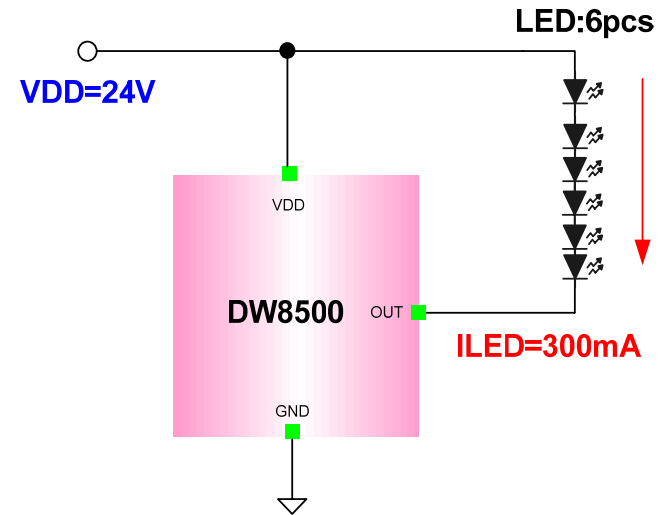


SOT-89
(4.5 x 2.45 x 1.5)

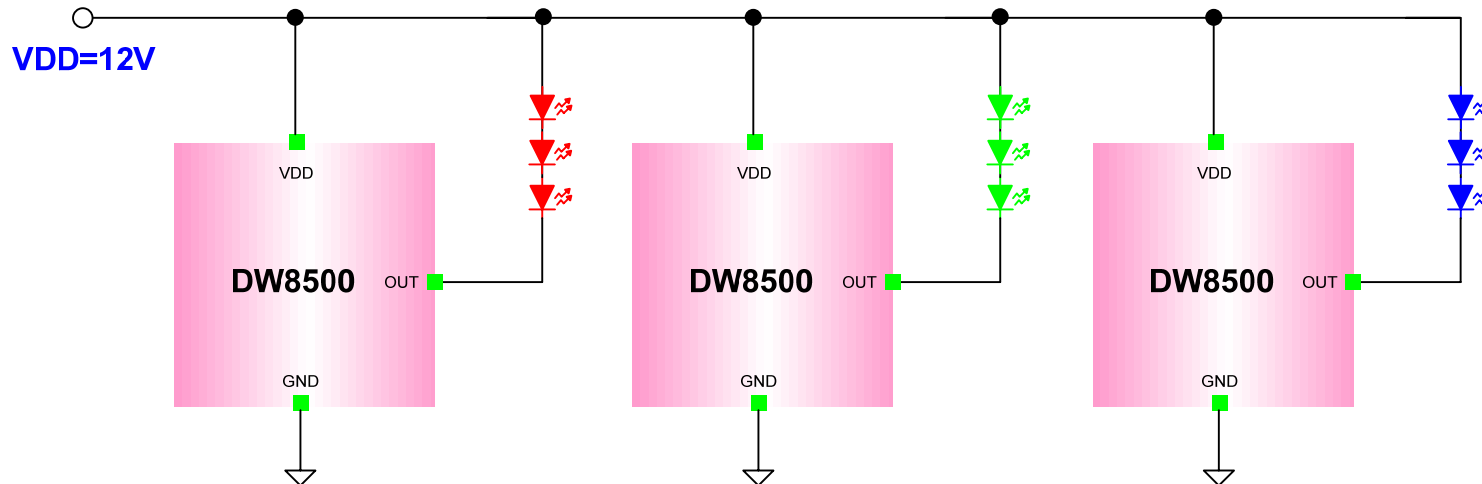
Typical Application



12V Application



24V Application



RGB Application

High Efficiency Boost for White-LED

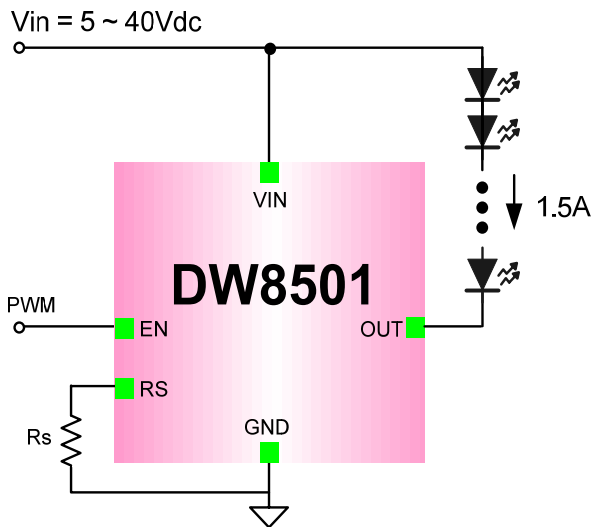
Features

- 5V to 40V Supply voltage
 - Regulated output current up to 1.5A adjustable
 - Low dropout voltage : Max. 1V @ $I_{LED}=1A$
 - Built-in thermal shutdown circuit
 - Available PWM dimming control
 - Thermal enhanced package
- SOT223-5L, TO252-5L

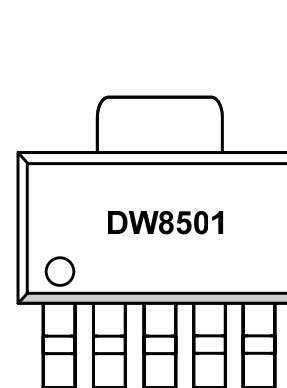
Applications

- LED light bulbs
- Signage and decorative LED lighting
- General lighting of flat panel displays
- Automotive
- RGB backlighting LED driver
- Current stabilizer with DC/DC or AC/DC
- General purpose constant current source

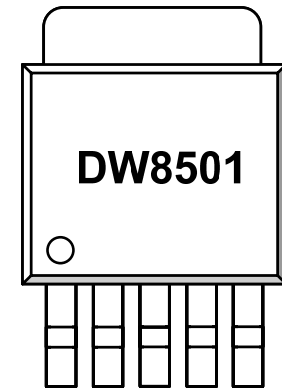
Typical Application



Package



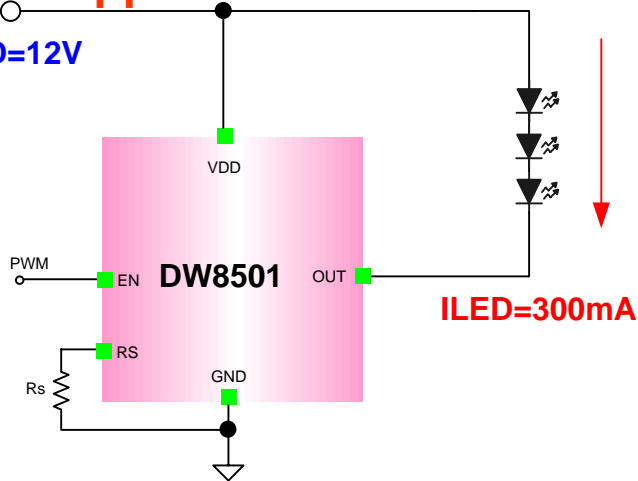
SOT-223
(6.5 x 3.5 x 1.8)



TO-252
(6.5 x 5.5 x 2.3)

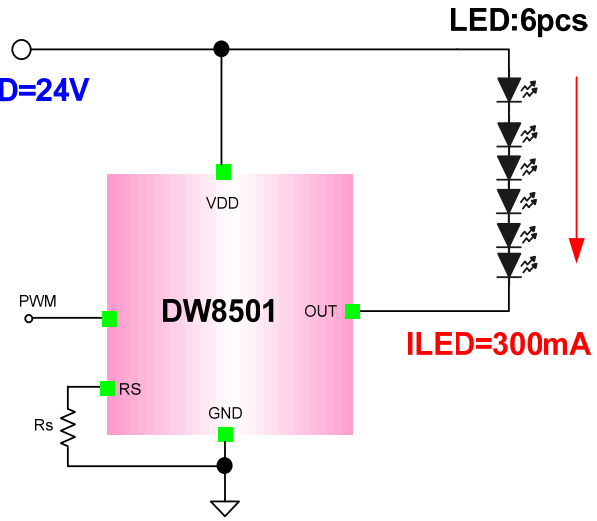
Typical Application

VDD=12V



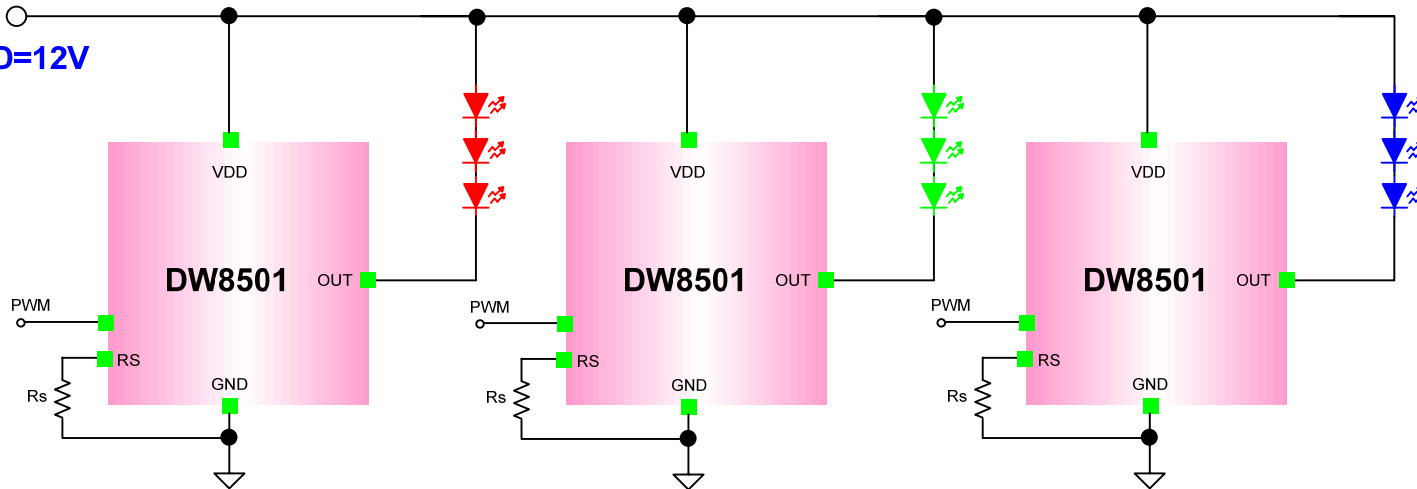
12V Application

VDD=24V



24V Application

VDD=12V



RGB Application

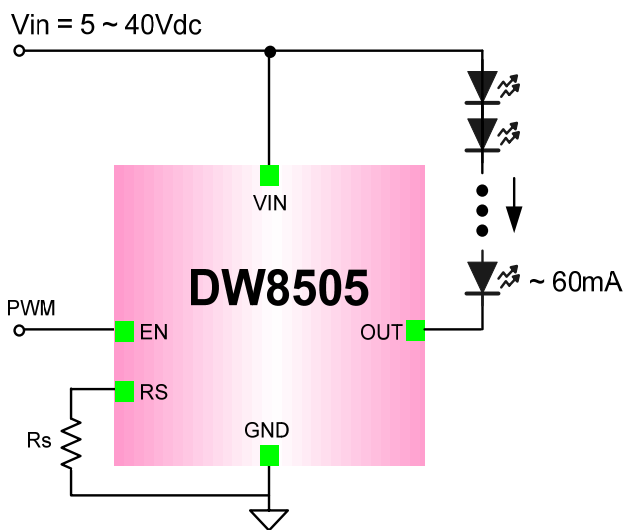
Features

- 5V to 40V Supply voltage
- Regulated output current up to 60mA adjustable
- Low dropout voltage : Max. 60mV @ $I_{LED}=60mA$
- Built-in thermal shutdown circuit
- Available PWM dimming control
- Thermal enhanced package
TSV-6 Lead

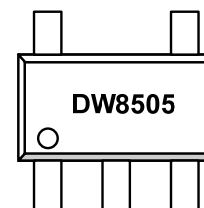
Applications

- LED light bulbs
- Signage and decorative LED lighting
- General lighting of flat panel displays
- RGB backlighting LED driver
- Current stabilizer with DC/DC or AC/DC
- General purpose constant current source

Typical Application

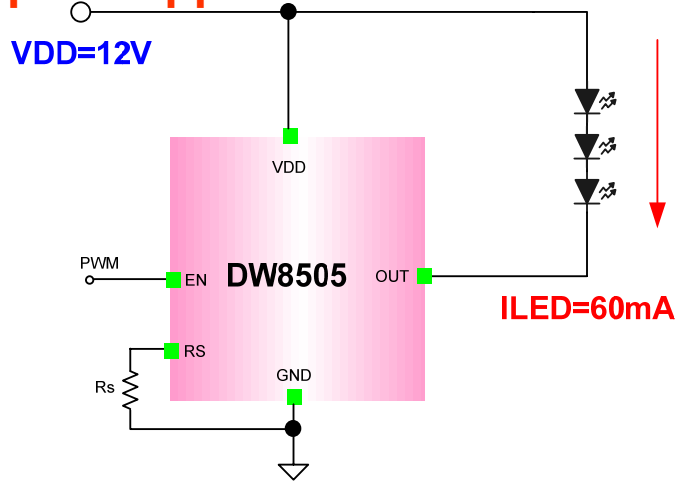


Package

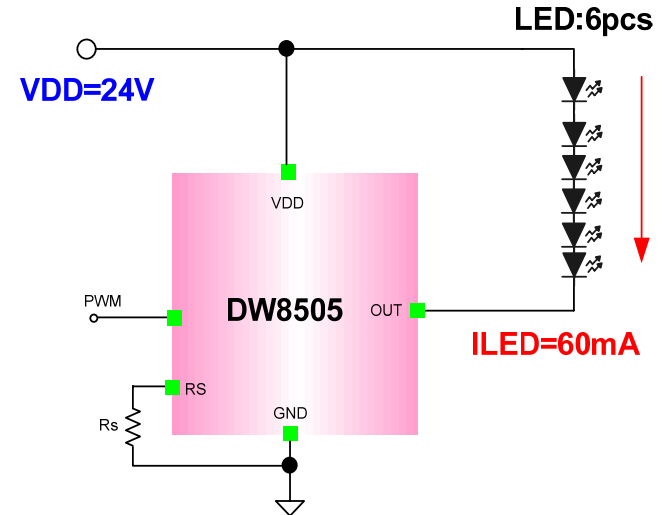


TSV-5
(2.9x2.8x0.7)

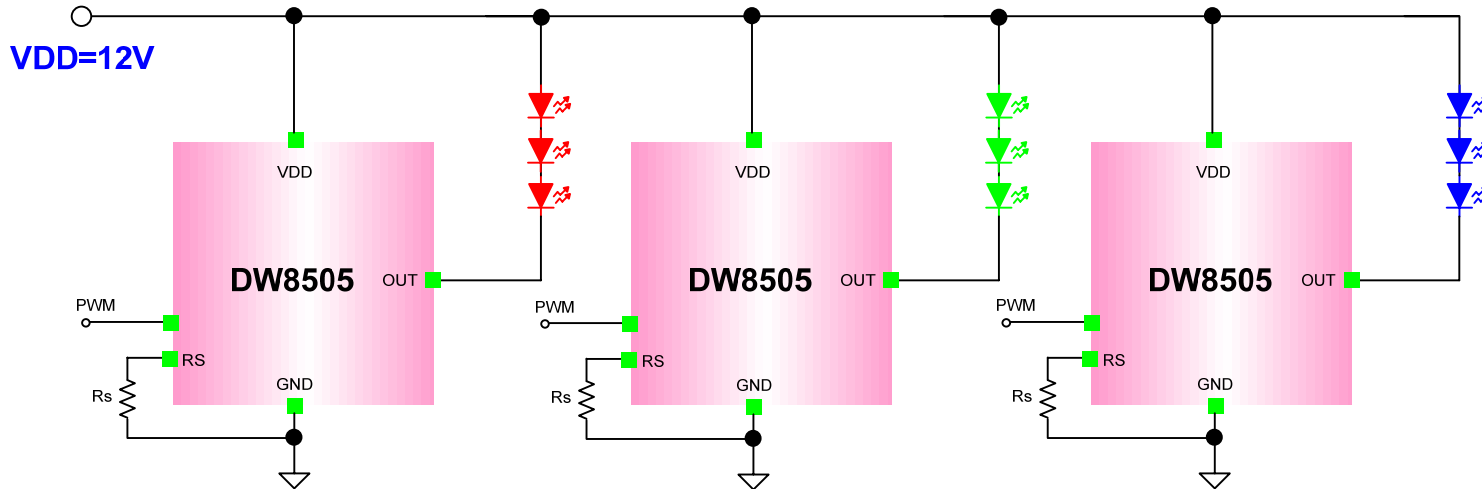
Typical Application



12V Application



24V Application



RGB Application

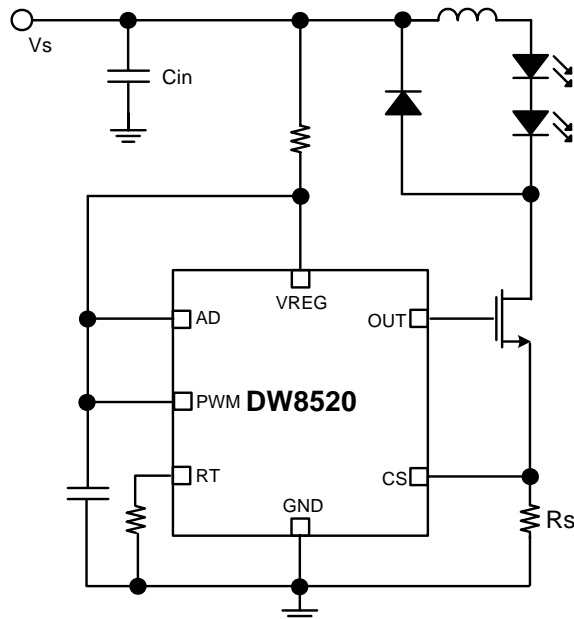
Features

- Topology : Switch mode controller (Buck)
- Application Input Voltage : 9V ~ 450V
- Efficiency : Up to 90%
- Current Control : Linear & PWM dimming
- Quiescent Current : Typical 0.5mA
- Switching Frequency : Constant frequency or constant off-time operation

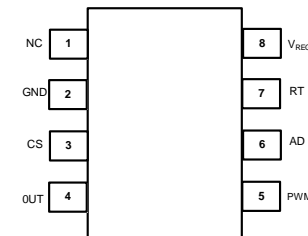
Applications

- DC/DC or AC/DC LED driver applications
- Signage and decorative LED lighting
- General lighting of flat panel displays
- RGB backlight LED driver
- General purpose constant current source

Typical Application



Package



8Lead SOIC
(4.9 x 6.0 x 1.4)

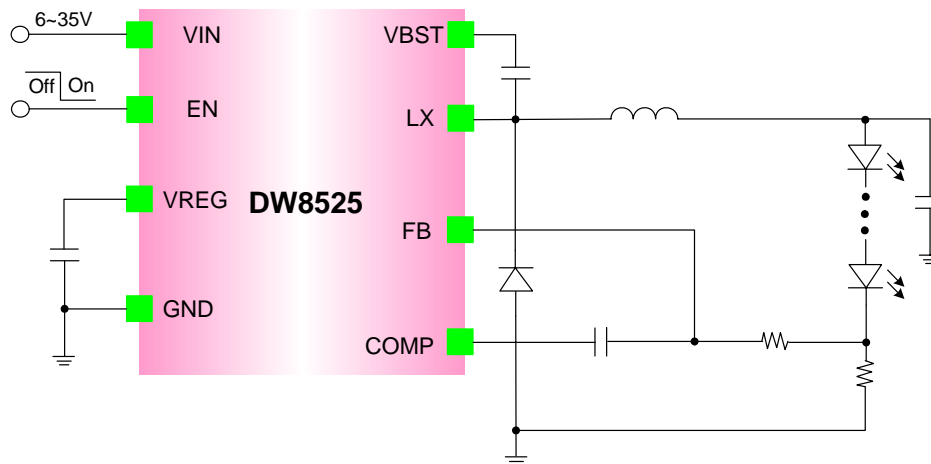
Features

- Topology : Switch mode buck converter
- Input voltage : 6 ~ 35Vdc on VIN pin
- LED current : Up to 1.0A
- Current control : PWM and Analog dimming on FB
- Quiescent current : Typ. 1.2mA
- Switching frequency : 300kHz
- Protection function : Soft-Start, TSD, Current Limit

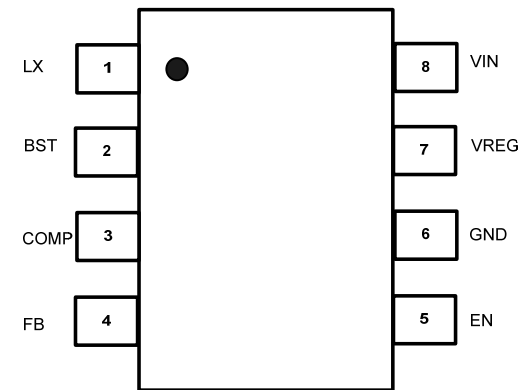
Applications

- MR16 Lighting
- Offline LED lamps and fixtures
- Signage and Decorative lighting
- General purpose LED lighting

Typical Application



Package



8 SOIC Top View
(4.9mm x 6.0mm x 1.4mm)