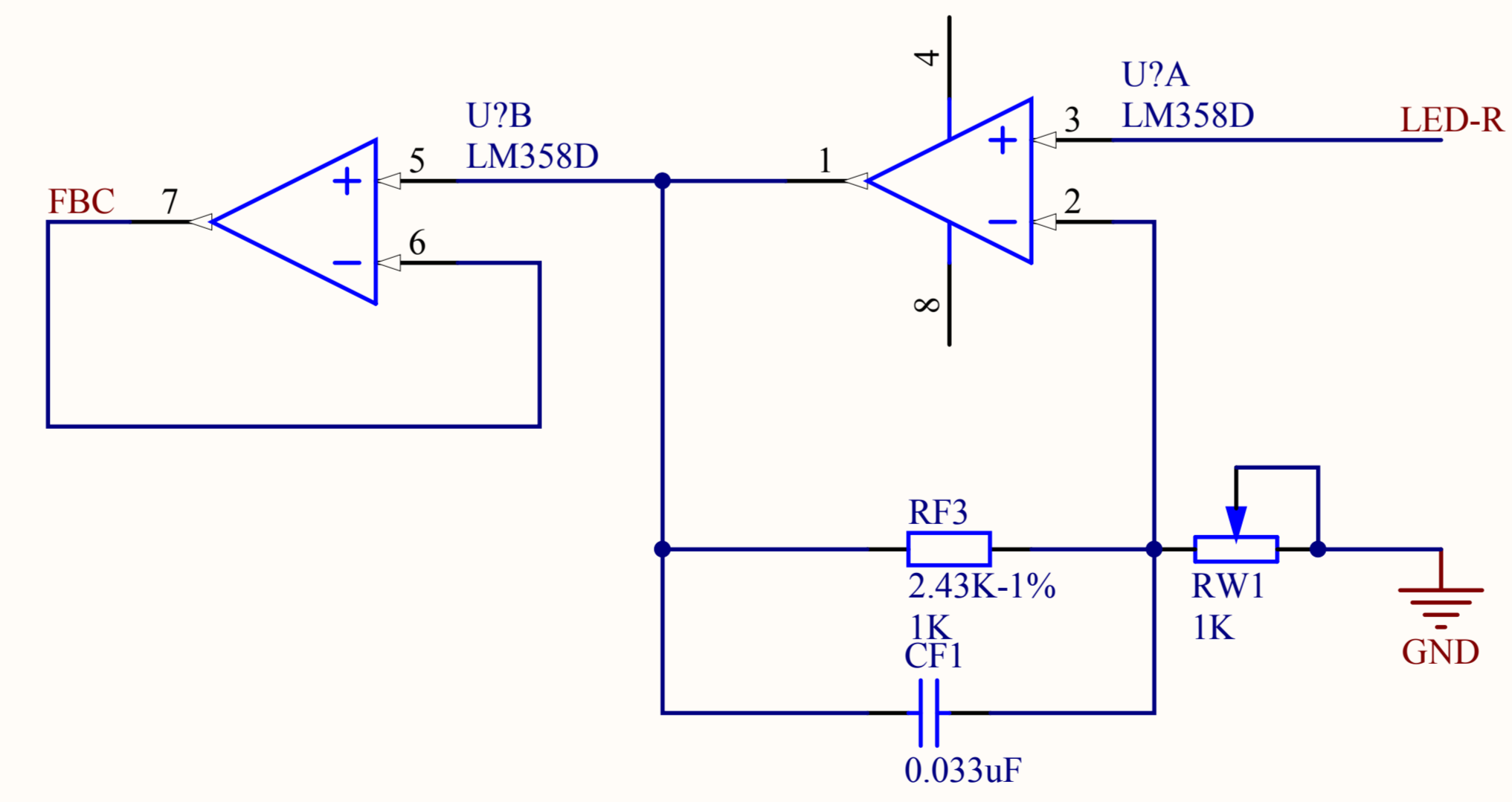


27V

110V



Title		
Size	Number	Revision
A4		
Date:	2009-10-27	Sheet of
File:	D:\emule\.\30W .SCHDOC	Drawn By: