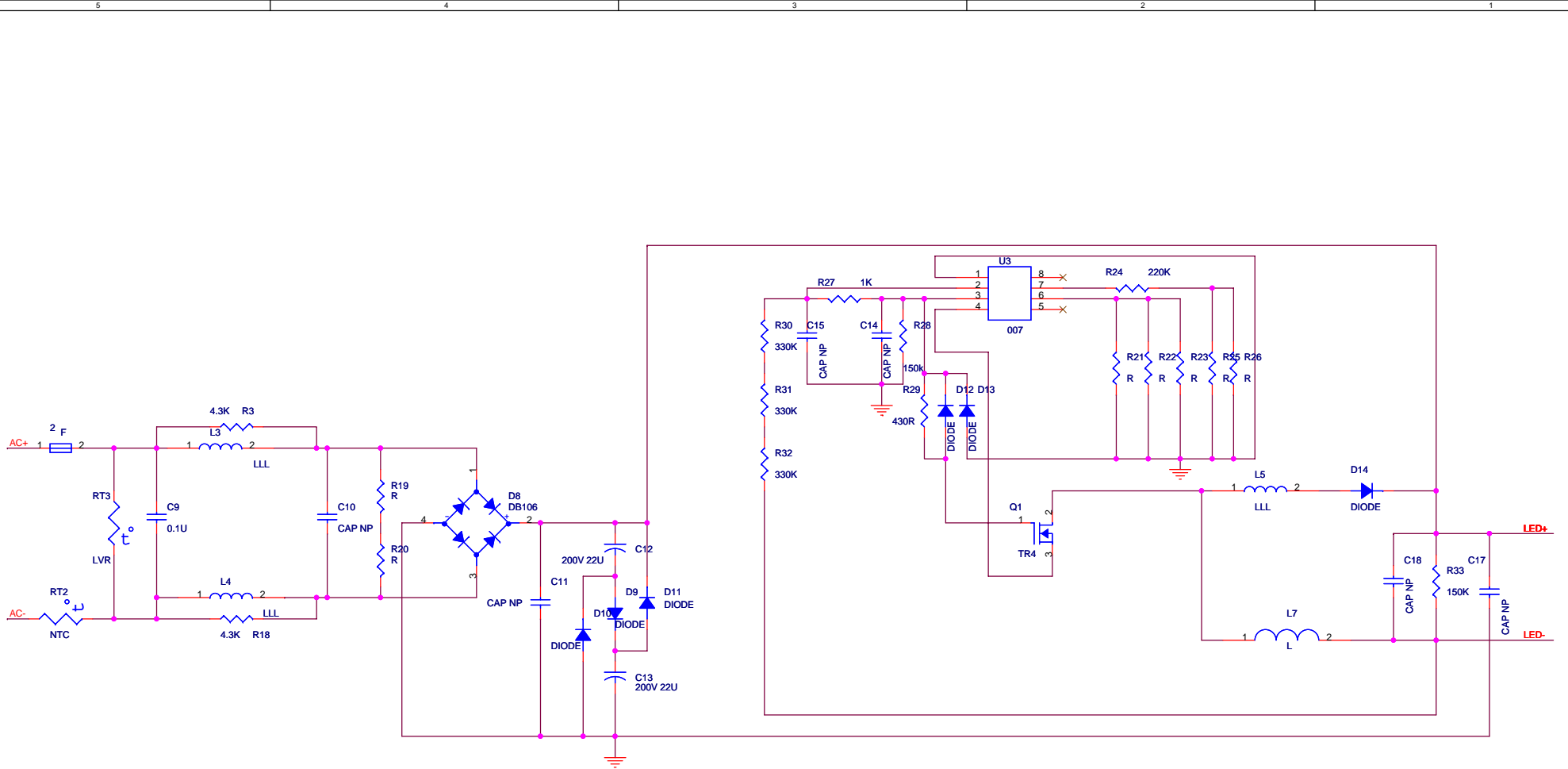


Title		<Title>
Size	Document Number	Rev
A3	<Doc>	<Rev Code>
Date:	Thursday, October 29, 2009	Sheet 1 of 1



Title	<Title>	
Size	Document Number	Rev
A3	<Doc>	<Rev Code>
Date:	Thursday, October 29, 2009	Sheet 1 of 1