

Description

The AS6910 is a high efficient LED driver control IC. It is a universal control LED driver and can be configured to operate as a step-up, step-down and step-up/step-down LED driver. The input and output voltage can be extended beyond 450V.

The AS6910 uses a fixed off time and 2MHz switching frequency can be achieved. The minimum off time can be set by an external capacitor and resistor.

The LED current is programmable and is set from 20mA to 2.0A by an external resistor.

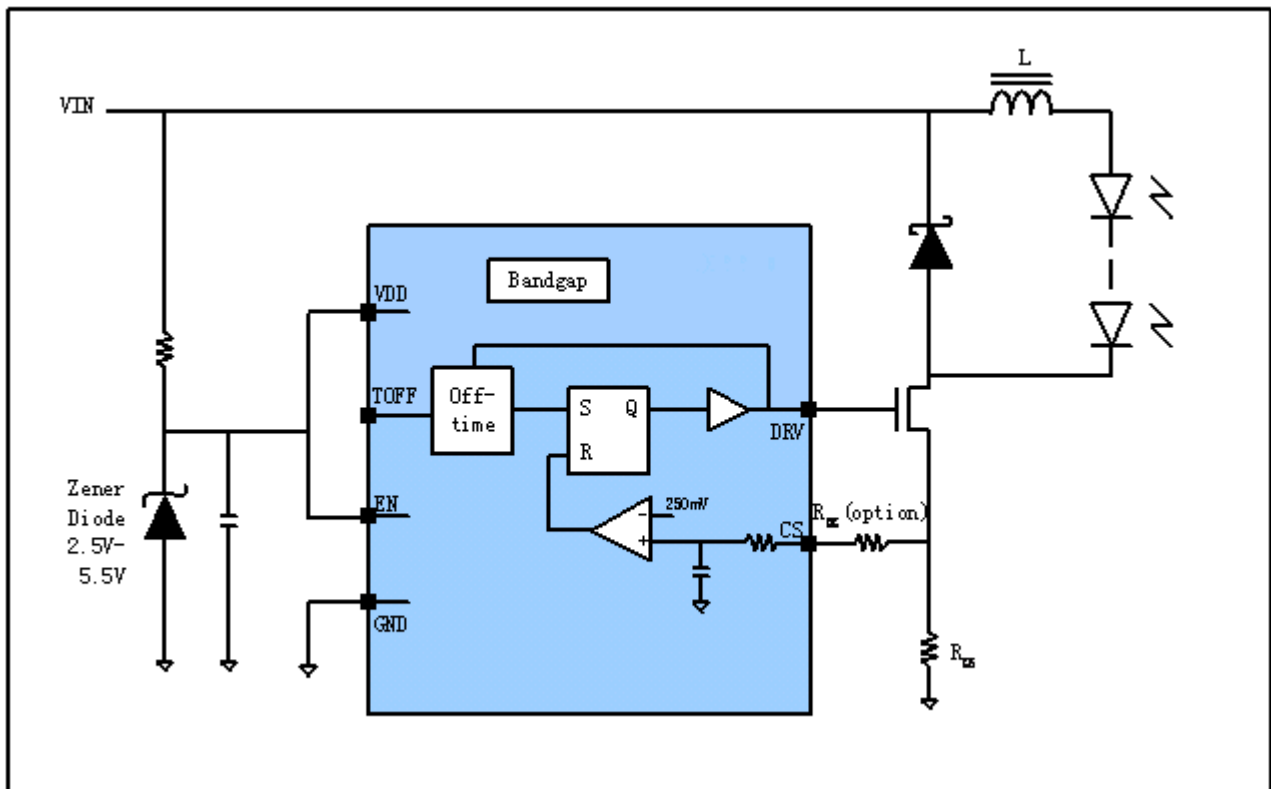
Features

- Constant current LED driver: 20mA to 2A programmable
- Step-up, step-down, step-up/step-down operation
- >90 efficiency
- Input and output voltage: 2.5V to 450V
- Up to 2MHz switching frequency

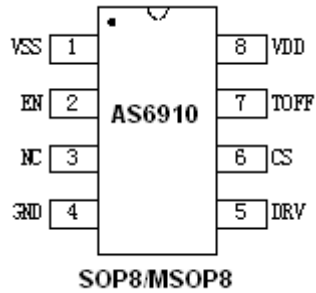
Applications

- 220/110V Hi-power LED Lighting
- Spot Lighting
- Traffic Warning Lighting

Block Diagram



Package



Pin Assignment

Pin No.	Pin Name	Description
1	VSS	Ground
2	EN	Chip Enable
3	NC	No connection
4	GND	Voltage feedback
5	DRV	Driver
6	CS	Current sensing
7	TOFF	Off time selection
8	VDD	Power supply (2V-6.5V)

Order Information

Package	Part Number	Packing
SOP8	AS6910D/TR-LF	Tape&Reel, MPQ=2500
MSOP8	AS6910DM/TR-LF	Tape&Reel, MPQ=3000

Absolute Maximum Rating

Type	Symbol	Description	Value	Unit
Voltage	V _{max}	Maximum voltage on VDD pins	8	V
	V _{min-max}	Voltage range on EN, CS and FB pins	-0.3-VDD+0.3	V
Thermal	T _{min-max}	Operation temperature range	-20-85	°C
	T _{storage}	Storage temperature range	-40-165	°C
ESD	VESD	ESD voltage for human body model	2000	V

Electronics Characteristics

Parameter	Symbol	Test Condition	Min	Typ	Max	Unit
Power supply	VDD		2.5		6.5	V
CS pin feedback voltage	V _{CS}		240	250	260	mV
Operation current	IDD			0.5	1	mA
Off time (without R _{OFF} and C _{OFF})	T _{OFF0}			620		ns
Standby current	IDDQ				1	uA
EN pin high level voltage	V _{ENH}		2.0			V
EN pin low level voltage	V _{ENL}				0.8	V
DRV Rising Time	T _{RISE}	500pF cap on DRV pin			50	ns
DRV Falling Time	T _{FALL}	500pF cap on DRV pin			50	ns

Detail Description

Peak Current Detect and Fixed Off-Time Control

The AS6910 uses peak current detect and fixed off-time control scheme. The circuit works in two states:

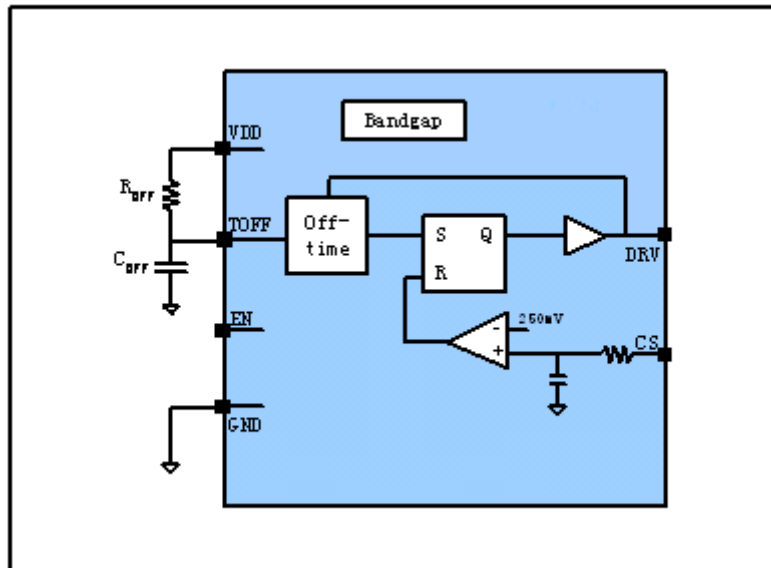
- ON State: The switch is on and the inductor L is charged until the inductor current reaches the peak current: $250\text{mV}/R_{CS}$, the circuit goes to OFF state.
- OFF State: The switch remains off until a fixed off time determined by R_{OFF} and C_{OFF} as discussed below.

The fixed off time T_{OFF} is determined by R_{OFF} and C_{OFF} as:

$$T_{OFF} = 0.51 \cdot \frac{100\text{K}\Omega \cdot R_{OFF}}{R_{OFF} + 100\text{K}\Omega} \cdot (C_{OFF} + 12\text{pF})$$

If TOFF pin is left open, the typical value of T_{OFF} is:

$$T_{OFF} = 612\text{ns}$$



The T_{OFF} can be reduced by adding R_{OFF} and be increased by adding C_{OFF} .

Typical Applications

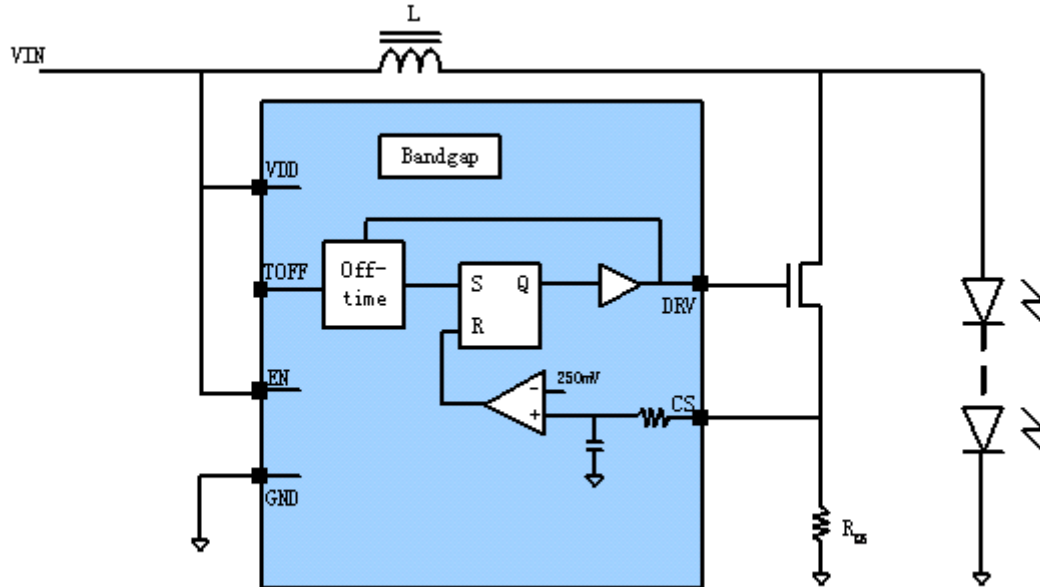


Fig.1 Step-Up LED Driver Without Schottky Diode

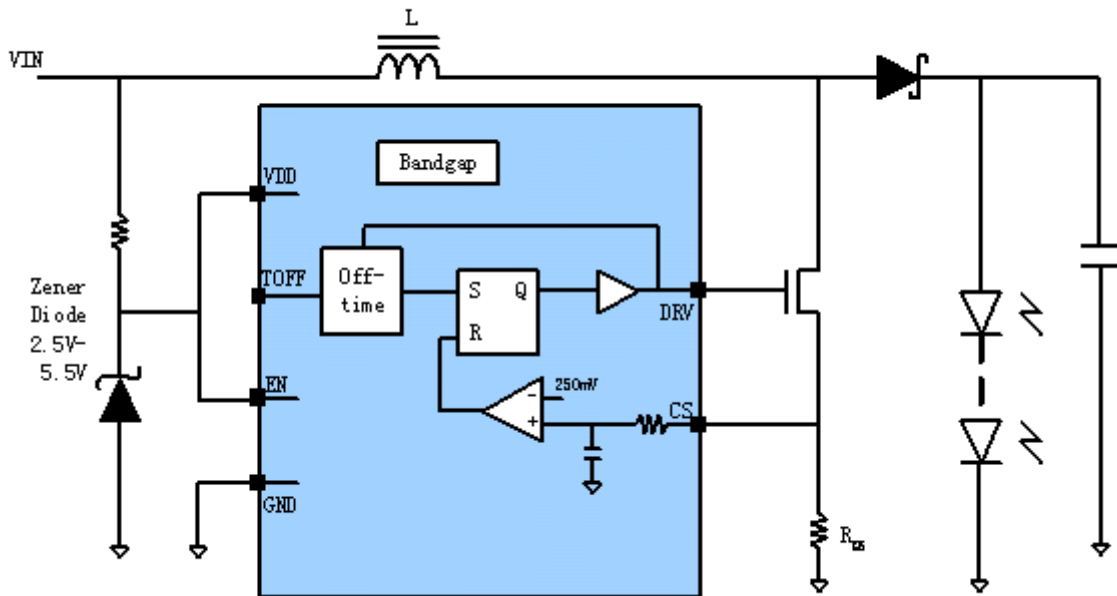
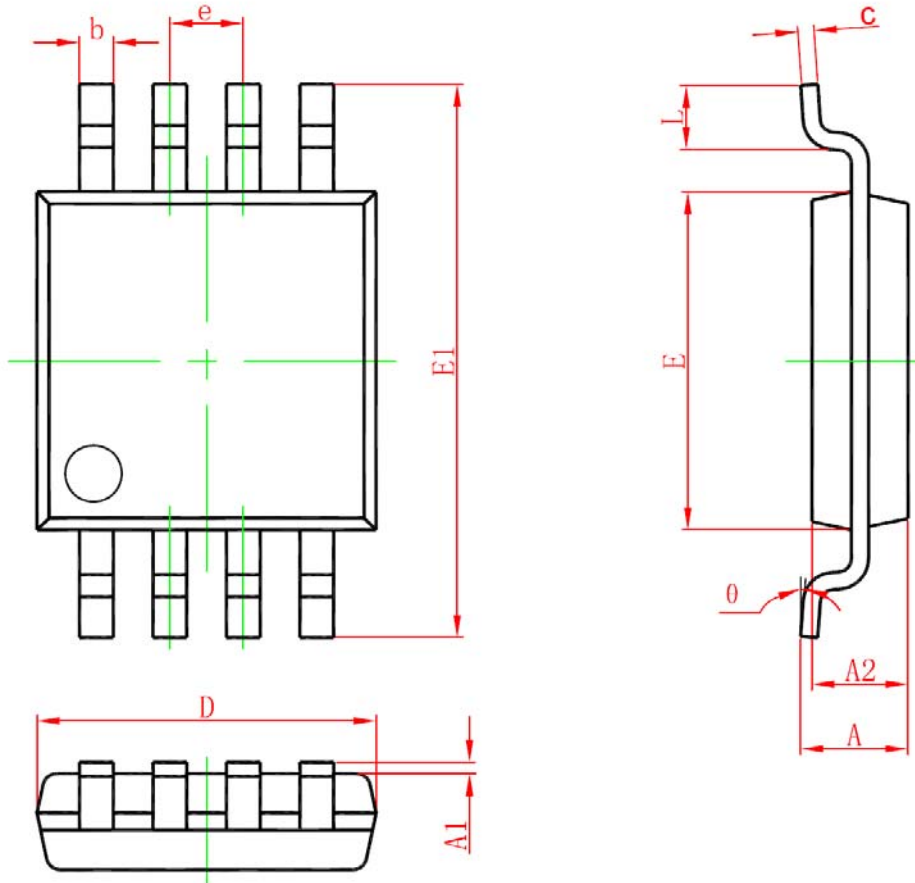


Fig.2 Step-Up LED Driver With Schottky Diode

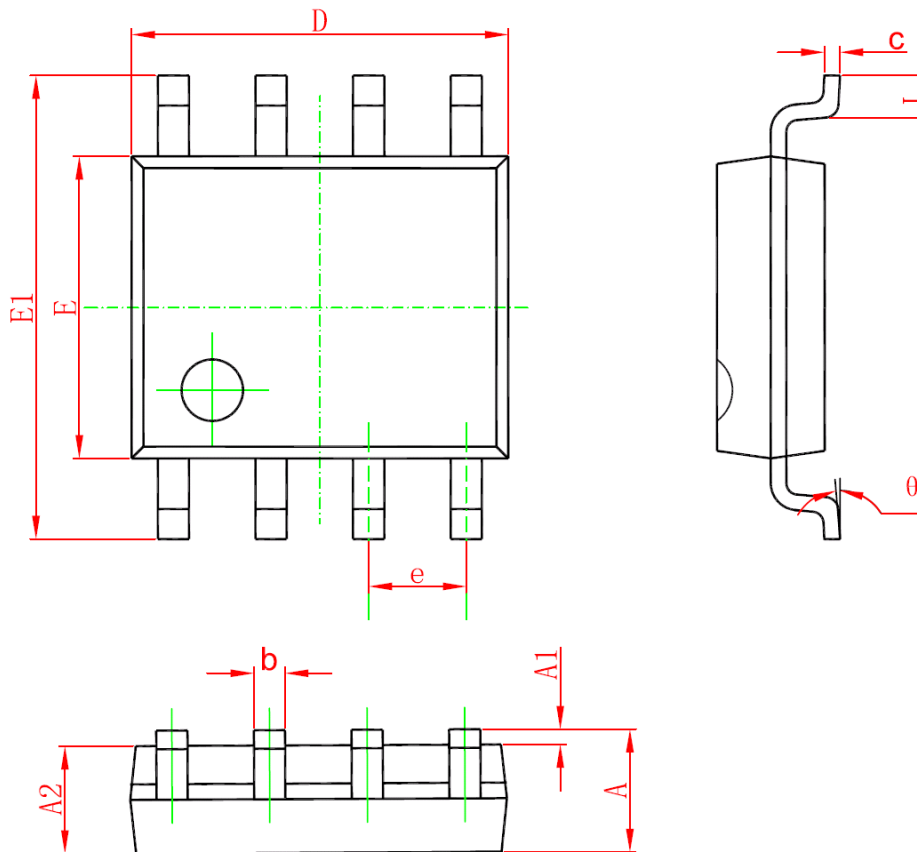
Package Information

MSOP8 PACKAGE OUTLINE DIMENSIONS



Symbol	Dimensions In Millimeters		Dimensions In Inches	
	Min	Max	Min	Max
A	0.820	1.100	0.032	0.043
A1	0.020	0.150	0.001	0.006
A2	0.750	0.950	0.030	0.037
b	0.250	0.380	0.010	0.015
c	0.090	0.230	0.004	0.009
D	2.900	3.100	0.114	0.122
e	0.650(BSC)		0.026(BSC)	
E	2.900	3.100	0.114	0.122
E1	4.750	5.050	0.187	0.199
L	0.400	0.800	0.016	0.031
θ	0°	6°	0°	6°

SOP8 PACKAGE OUTLINE DIMENSIONS



Symbol	Dimensions In Millimeters		Dimensions In Inches	
	Min	Max	Min	Max
A	1.350	1.750	0.053	0.069
A1	0.100	0.250	0.004	0.010
A2	1.350	1.550	0.053	0.061
b	0.330	0.510	0.013	0.020
c	0.170	0.250	0.006	0.010
D	4.700	5.100	0.185	0.200
E	3.800	4.000	0.150	0.157
E1	5.800	6.200	0.228	0.244
e	1.270 (BSC)		0.050 (BSC)	
L	0.400	1.270	0.016	0.050
θ	0°	8°	0°	8°