

AMC3202 + AMC7140 for LED Street Lamp

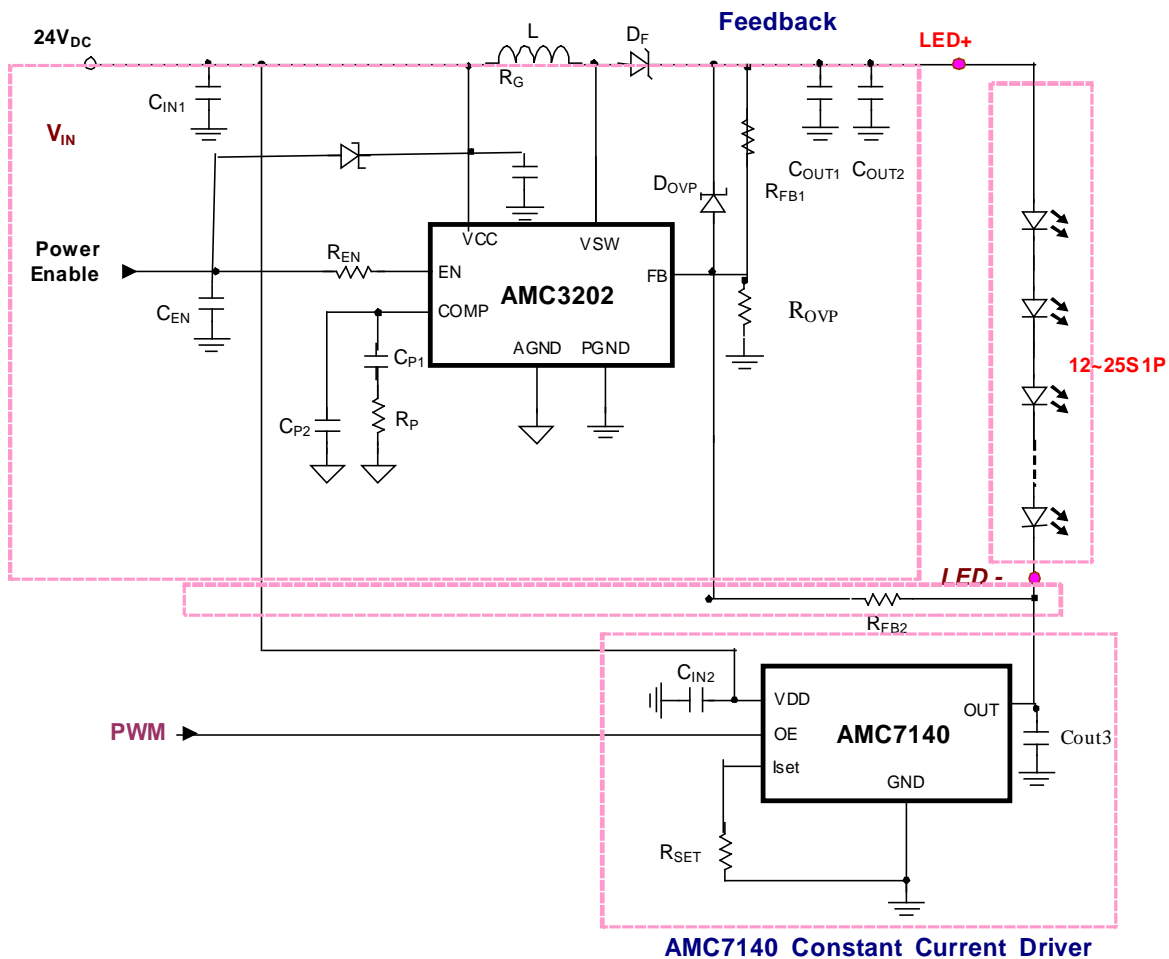
◆ Features

- ✓ Input supply voltage range: 10V~40V
- ✓ Output feedback control for high efficiency.
- ✓ Up to 20pcs of LED in series.
- ✓ 94% high system efficiency.
- ✓ Pure DC constant current.
- ✓ High frequency allows for small components.
- ✓ Soft-start control by extend capacitor

◆ System Structure



AMC3202 Boost Driver



AMC7140 Constant Current Driver