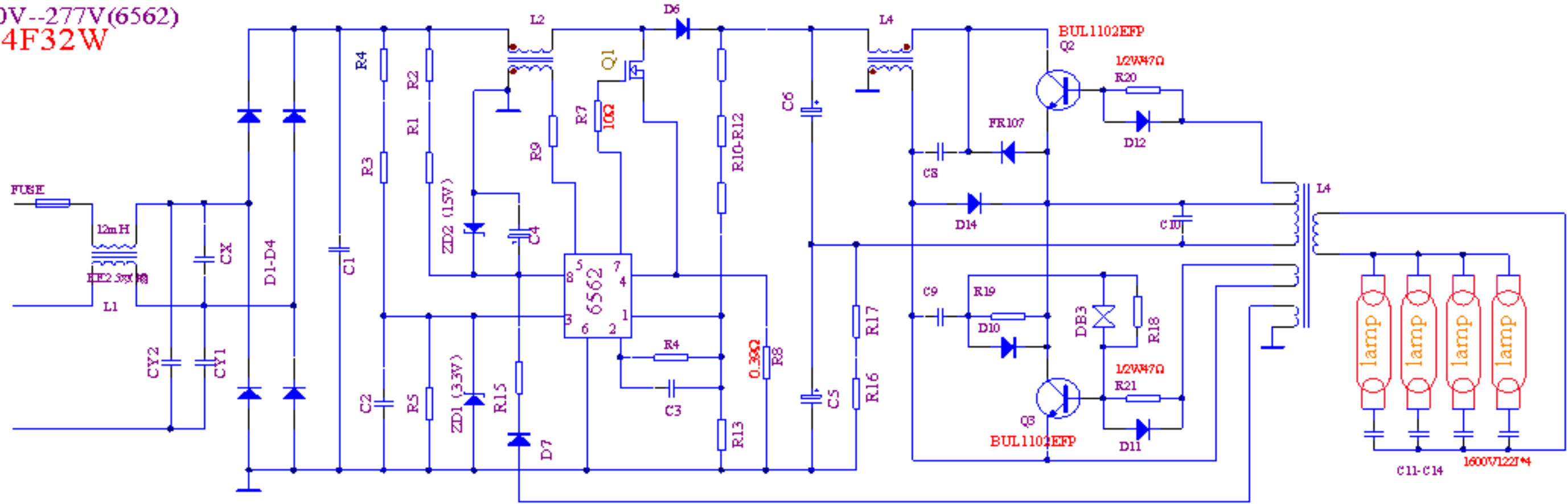


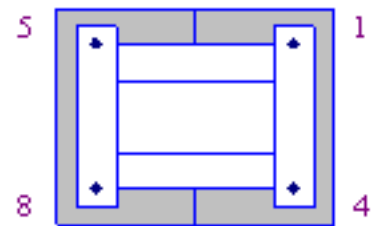
GZ - LIYUAN

2009.07.12.

110V--277V(6562)  
4F32W

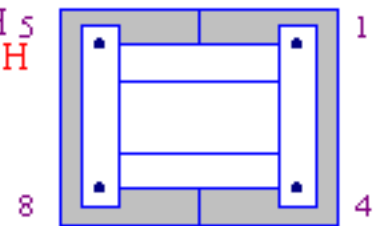


EE25/25/7  
L2 EE25/25/10.5



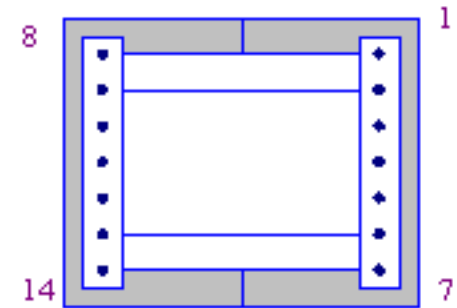
1	4-1	140T	Φ0.21*4	1.6mH <sub>s</sub>
	4-1	104T	Φ0.14*13	0.85mH
	6-8	18T	Φ0.25	32uH
	6-8	12T	Φ0.25	

EE25/25/7



1	1-8	3.6mH	135T	Φ0.38
	1-8	2.2mH	114T	Φ0.4
	4-5	3.4mH	135T	Φ0.38
	4-5	2.2mH	114T	Φ0.4

EE35/35/10



4-11	140T	3.0mH
4-11	139T	2.0mH
13-2	59T	0.57mH
13-2	59T	0.43mH
3-8	1T	0.8uH
3-8	1T	
14-6	1T	0.8uH
14-6	1T	
7-1	4T	4.1uH
7-1	4T	

C11-C14 1600V/122µF