

Non-Isolated Led Driver



FEATURES:

- Constant Current Output LED Driver
- Wide Input Voltage Range
- PWM Dimming and ON/OFF Control
- Short Circuit and Overtemp. Protected
- High efficiency up to 95%

Preliminary



Specifications typical at TA=25°C, nominal input voltage and rated output current unless otherwise specified

Part Number	Input Range	Output Voltage	Output Current
	Vdc	Vdc	mA
LDA24-0.30	5-36	2-34	0-300
LDA24-0.35	5-36	2-34	0-350
LDA24-0.50	5-36	2-34	0-500
LDA24-0.60	5-36	2-34	0-600
LDA24-0.70	5-36	2-34	0-700

Input Specifications

Parameters	Conditions	Min	Typ	Max	Units
Voltage Tolerance	Vo,Io Nom	5	24	36	Vdc
Filter	Capacitor		2.2		uF

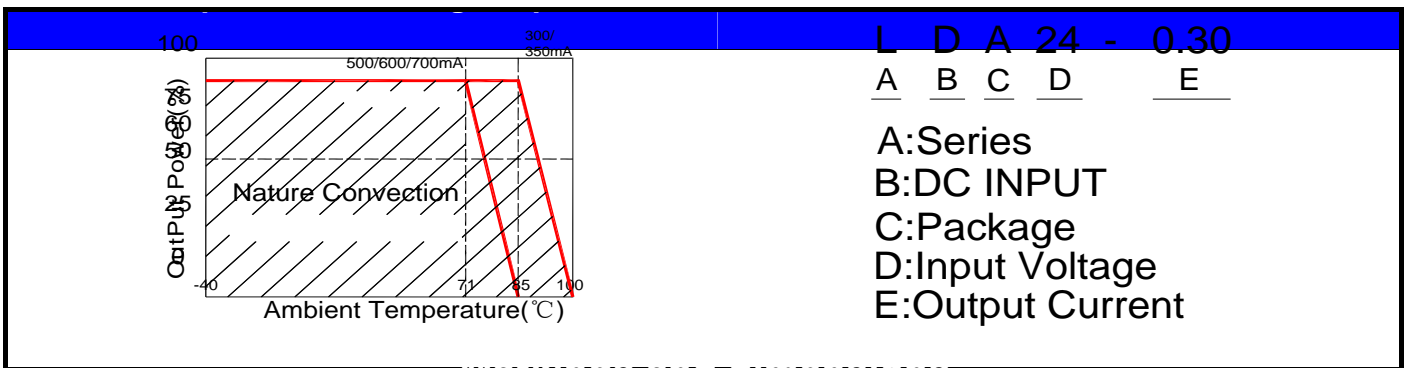
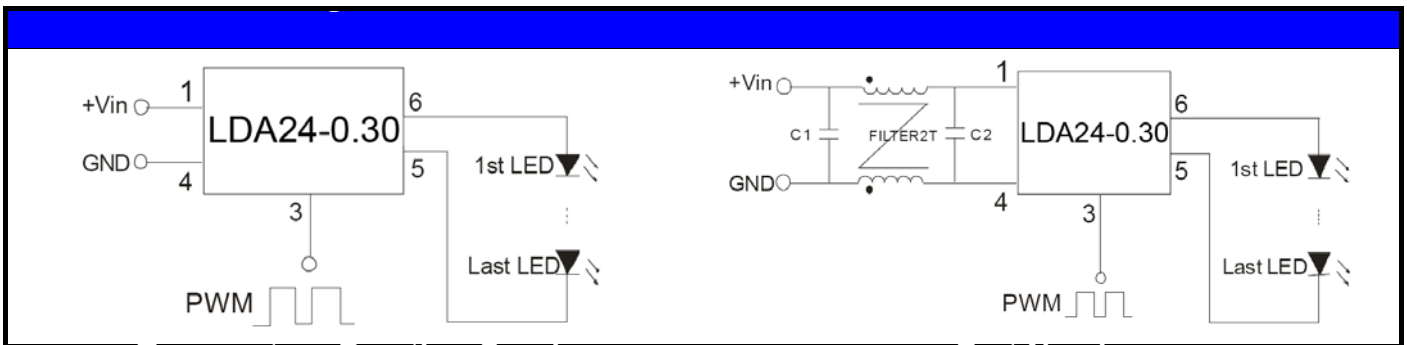
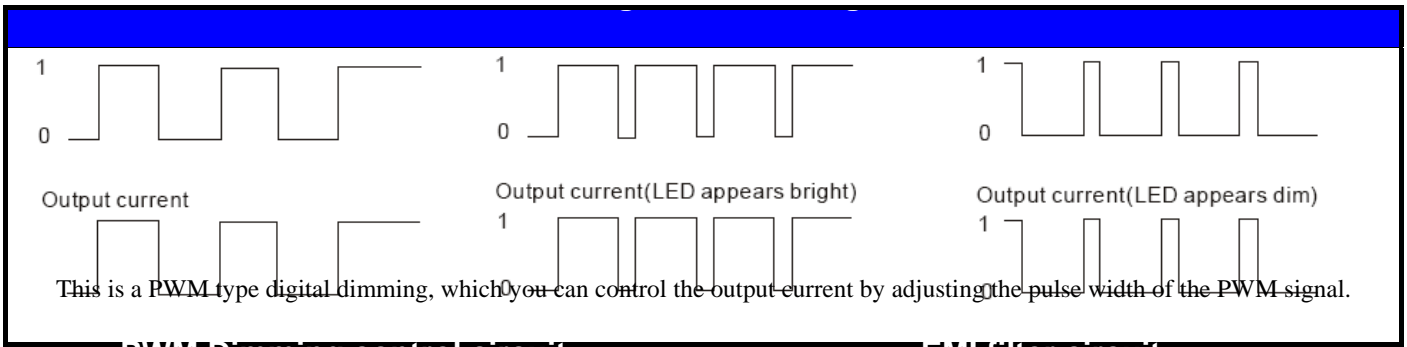
Output Specifications

Parameters	Conditions	Min	Typ	Max	Units
Output Voltage Range	Vin=36V	2		34	Vdc
Output Current Range	Vin - Vout >1.5~4.0V	300		700	mA
Output Current Accuracy	Vin=24V, 5 LEDS		±5	±8	%
Output Current Stability	Vin=24V, 1LED to 5 LEDS		±5	±10	%
Efficiency at full load				95	%
Ripple & Noise	BW=DC To 20MHz			120	mVp-p
Capacitive Load				100	uF
Short Circuit Protection	Continuous				
PWM Dimming and ON/OFF Control (let it open if not use)					
Remote ON/OFF	DC/DC ON			Open or 2.8V<Vc<6V	
	DC/DC OFF(Shutdown)			Vc<0.6V	
Remote pin current	Vc=5V			1	mA
Quiescent input current in Shutdown mode	Vin=24V, Vc <0.6V			400	uA
PWM frequency			0.2	10	KHz

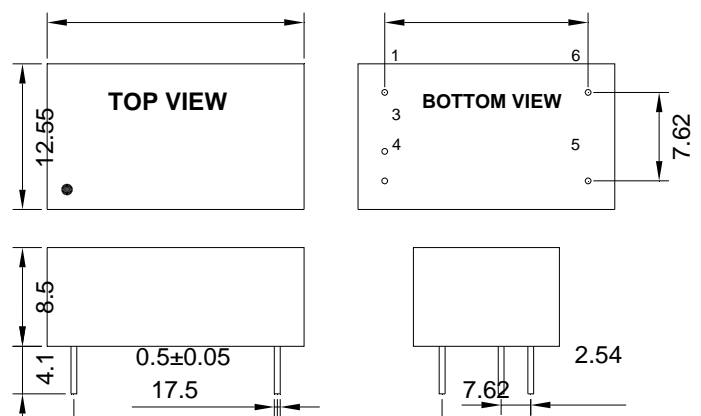
General Specifications

Parameters	Conditions	Min	Typ	Max	Units
Operating Frequency	Full load,nominal input		800		KHz
Operation Temperature	300mA / 350mA	-40		+85	°C
	500mA/ 600mA/ 700mA	-40		+71	°C
Case Temperature				100	°C
Humidity	Non Condensing			95	%
Cooling	Free air Convection				
Wave Soldering Profile	265°C/10 sec MAX				
Potting Material	Epoxy (UL94-V0)				
MTBF	MIL-HDBK-217F@25°C		2000000		Hours
Case material	DAP				
Weight			4.5		g
Dimensions			22.1x12.55x8.5		mm

Non-Isolated Led Driver



22.1 17.5



UNIT:mm Unless otherwise specified, all tolerances are ± 0.25

PIN	1	3	4	5	6
Single	+Vin	PWM/ON/OFF	-Vin	-Vout	+Vout