

6 5 4 3 2 1

REVISION RECORD			
LTR	ECO NO:	APPROVED:	DATE:

D

C

B

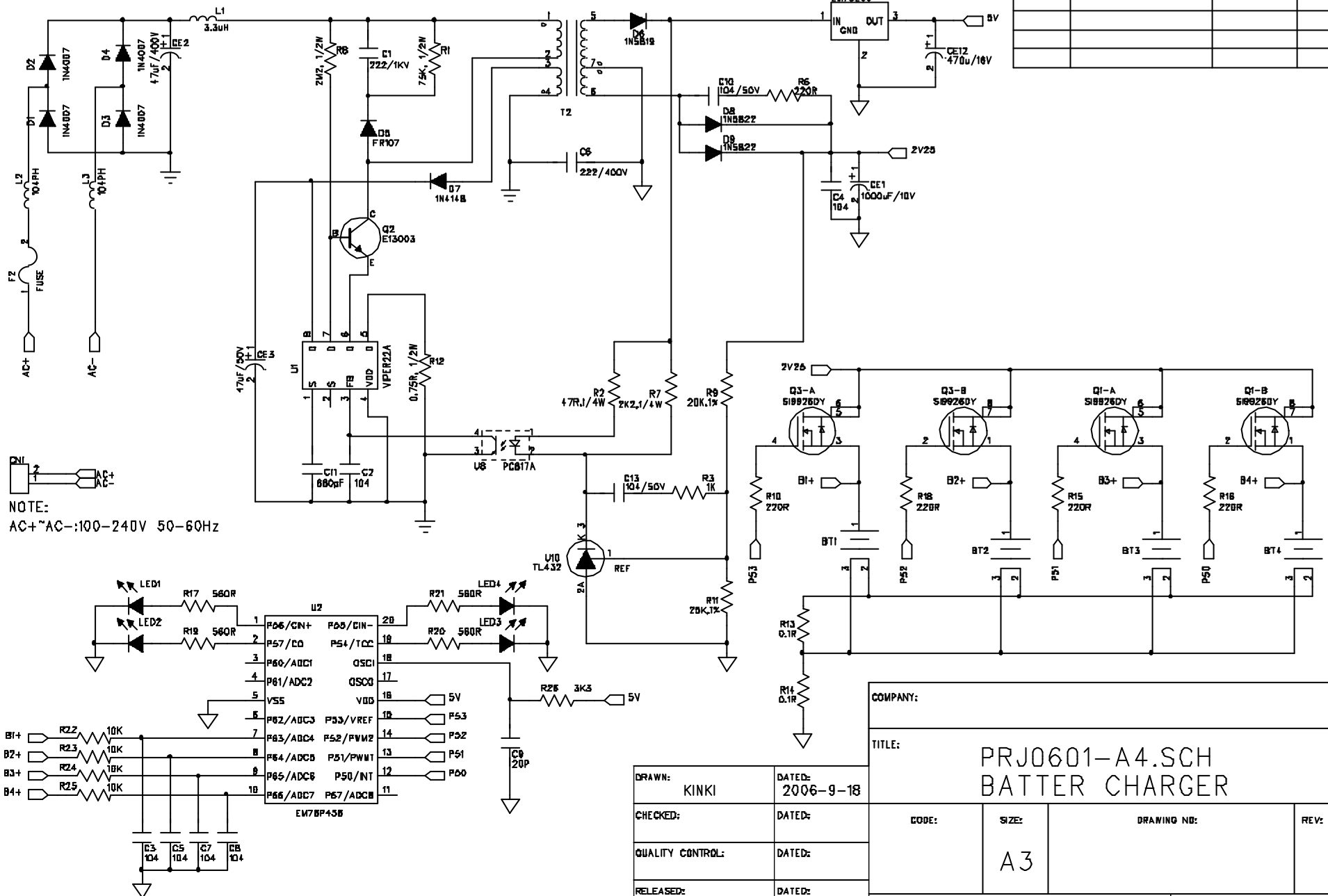
A

D

C

B

A



NOTE:  
AC+~AC-:100-240V 50-60Hz

COMPANY:			
TITLE: PRJ0601-A4.SCH BATTER CHARGER			
DRAWN: KINKI	DATED: 2006-9-18	CODE:	SIZE: A3
CHECKED:	DATED:	DRAWING NO:	REV:
QUALITY CONTROL:	DATED:	SCALE:	SHEET: OF
RELEASED:	DATED:		