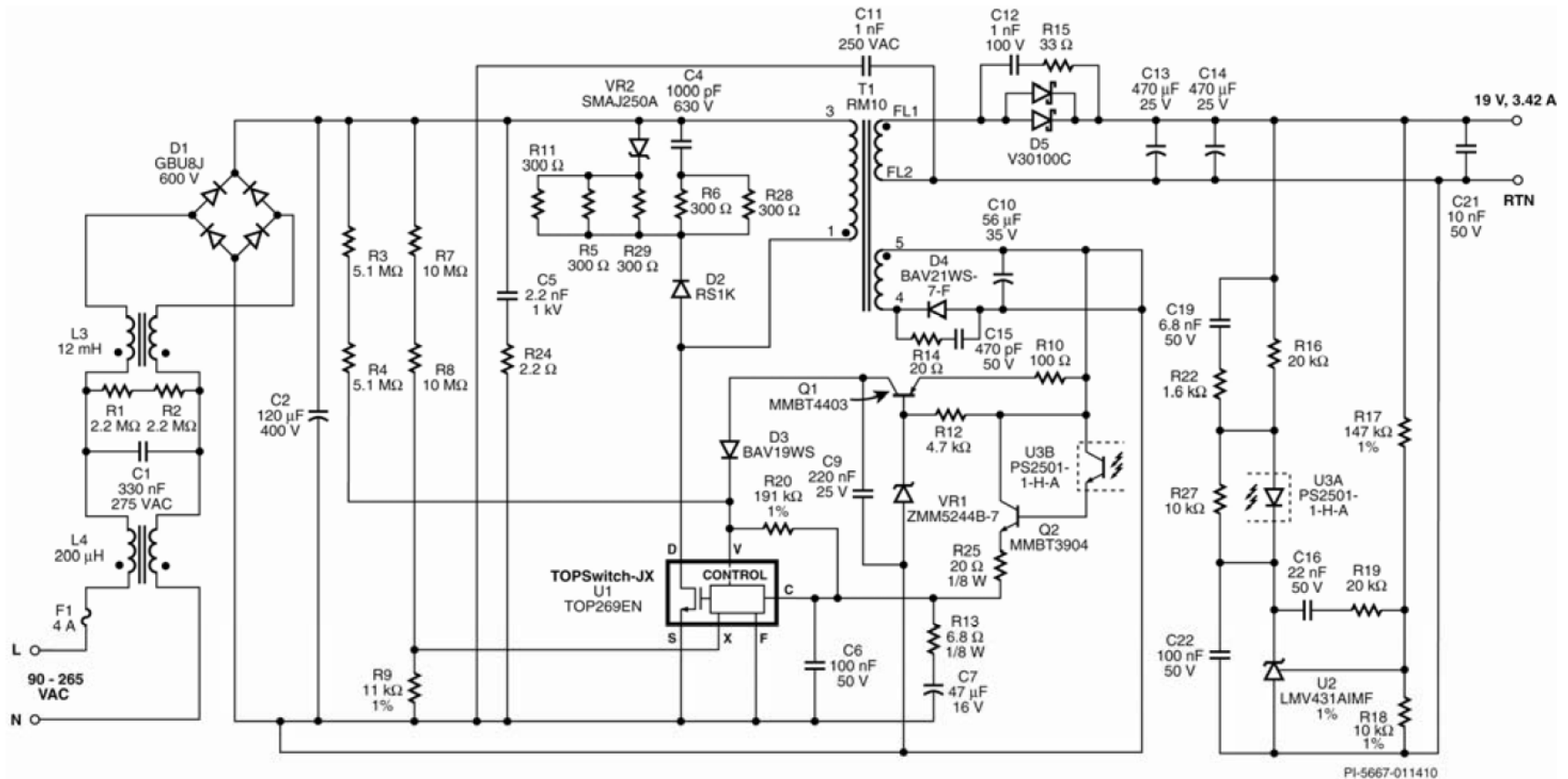


Schematic: 65 W Standard Adapter



65 W Standard (Jan 2010)