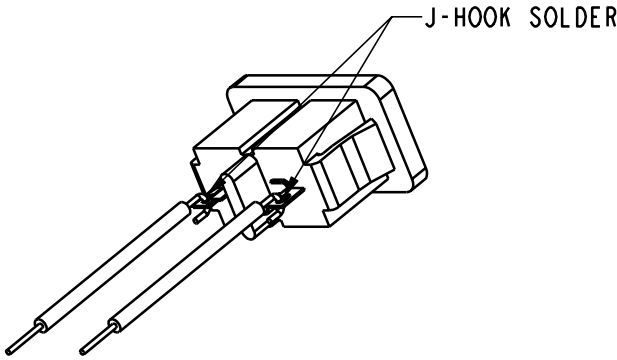
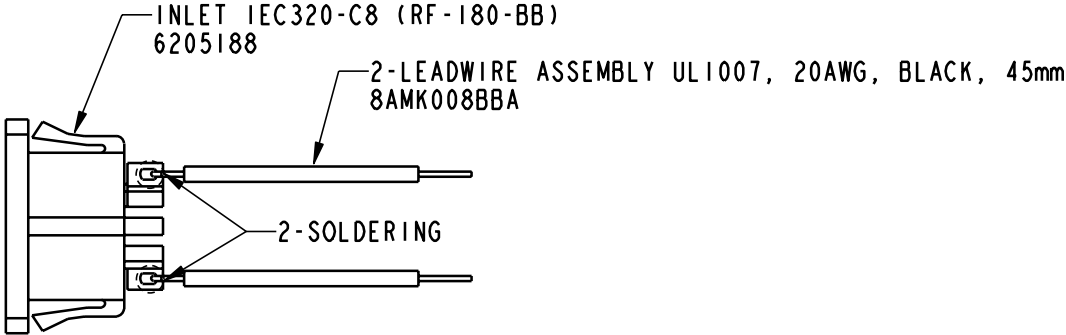


REVISIONS			
REV	DESCRIPTION	DATE	APPROVAL
A	RELEASED	02-Jan-01	
B	REVISE J-HOOK WIRES	21-Dec-02	26582



DETAIL "A"

SUPPLEMENTARY INFORMATION FIRST USED		INLET ASSEMBLY DRAWING		AULT KOREA	
TYPE: ASSEM					
DRAWN BY	Y. J. SEO	SIZE	DRAWING NO.		REV
APPROVED		A4	1015128		B
UNITS	mm	NONE SCALE		SHEET: 1 OF 1	