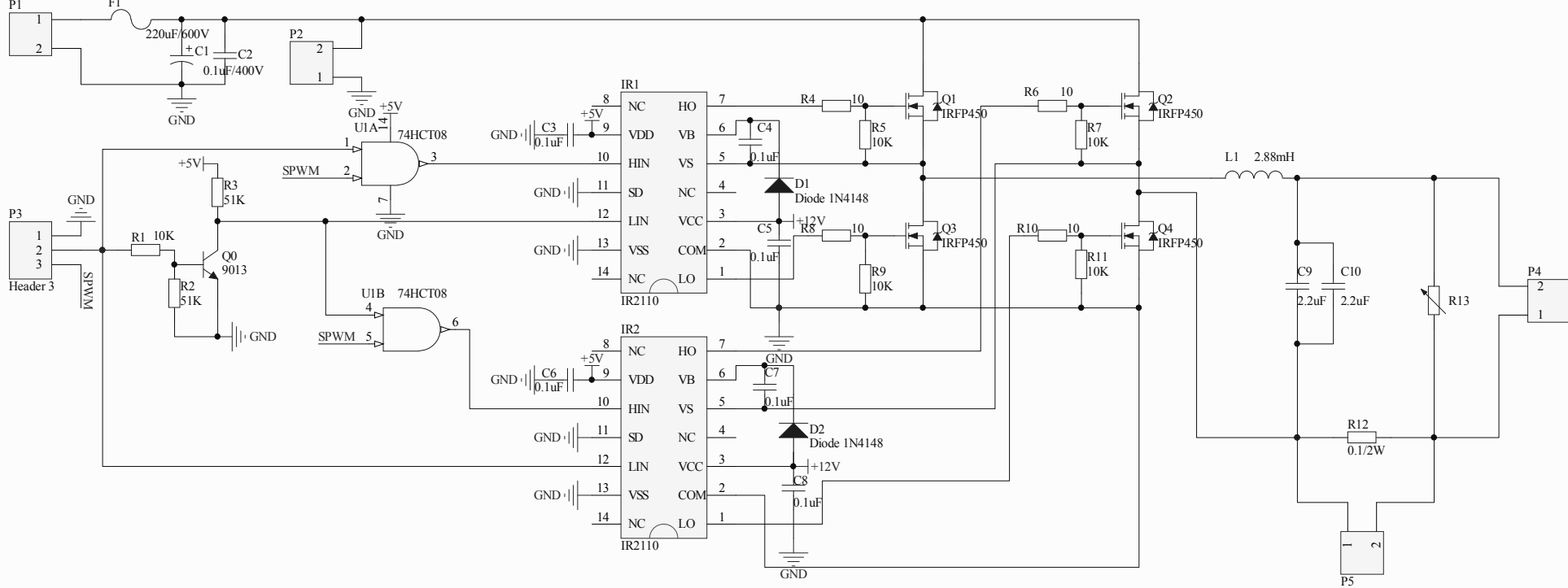
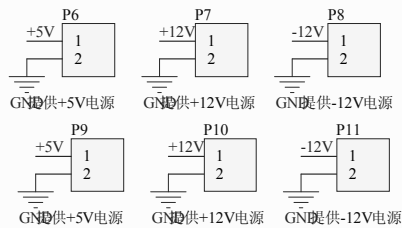
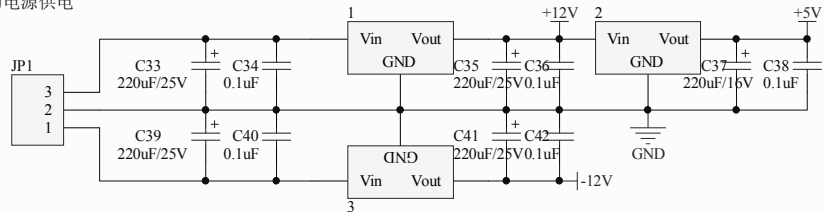


单相全桥逆变 (单极性SPWM)



辅助电源供电



| Title | | |
|-------|---------------------------|-----------|
| Size | Number | Revision |
| A3 | | |
| Date: | 2010-8-10 | Sheet of |
| File: | E:\PCB\SPWM (单极性) .SchDoc | Drawn By: |