

6

5

4

3

2

1

D

D

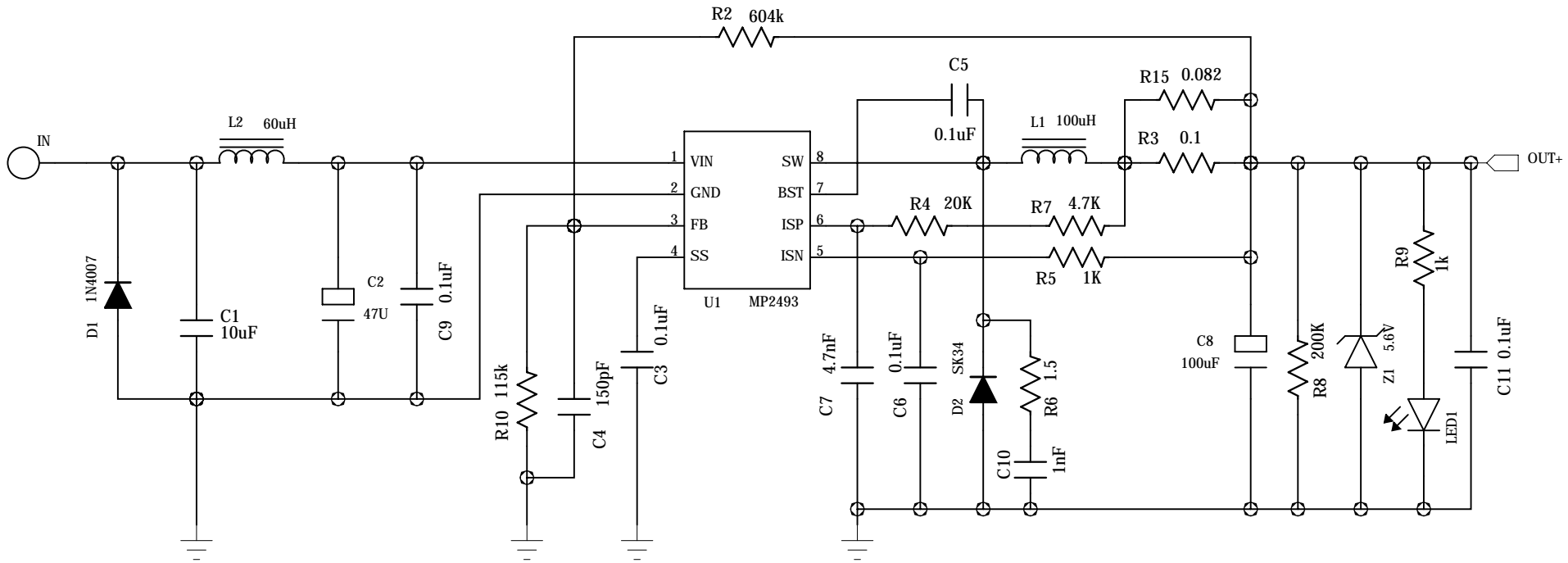
C

C

B

A

A



MODE			
TITLE			
SCH.FILENAME	PAGE:	VER NO:	DATE:
APPROVAL BY:	CHECK BY:	DESIGN BY:	DRAW BY: