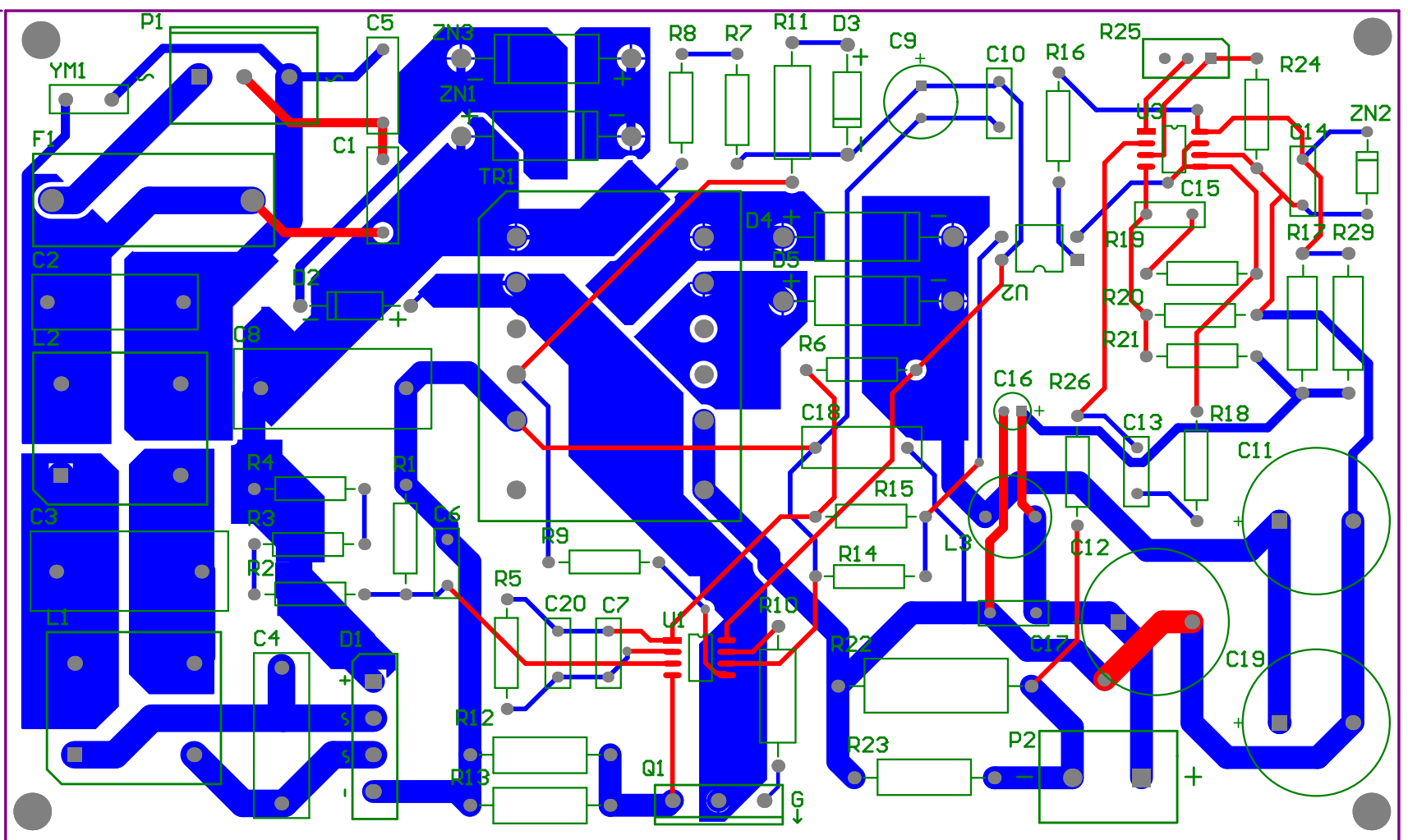


Title		
Size	Number	Revision
A3		
Date:	2010-8-22	Sheet of
File:	D:\pcb\L6562.csg\L6562A_50V_1A.SchDocDrawn By:	

90.80 (mm)



151.5 (mm)

Item #	Column Name Error:Manu	#Column Name Error:Manufacturer	No Quantity	#Column Name Error:Note	Designator
1			2		C1, C5
2			2		C2, C4
3			2		C3, C8
4			1		C6
5			1		C7
6			1		C9
7			2		C10, C20
8			3		C11, C12, C19
9			1		C13
10			1		C14
11			1		C15
12			1		C16
13			1		C17
14			1		C18
15			1		D1
16			1		D2
17			1		D3
18			2		D4, D5
19			1		F1
20			2		L1, L2
21			1		L3
22			1		P1
23			1		P2
24			1		Q1
25			1		R1
26			3		R2, R3, R4
27			2		R5, R15
28			1		R6
29			2		R7, R8
30			1		R9
31			1		R10
32			1		R11
33			2		R12, R13
34			1		R14
35			1		R16
36			2		R17, R29
37			1		R18
38			1		R19
39			1		R20
40			1		R21
41			2		R22, R23
42			1		R24
43			1		R25
44			1		R26
45			1		TR1
46			1		U1
47			1		U2
48			1		U3
49			1		YM1
50			2		ZN1, ZN3
51			1		ZN2

Description	#Column Name Error:Foot	Comment	#Column Name Error:Lib
Capacitor		Cap	
Capacitor		Cap	
Capacitor		Cap	
Capacitor		Cap	
Capacitor		Cap	
Polarized Capacitor (Radial)		Cap Pol1	
Capacitor		Cap	
Polarized Capacitor (Radial)		Cap Pol1	
Capacitor		Cap	
Capacitor		Cap	
Polarized Capacitor (Radial)		Cap Pol1	
Capacitor		Cap	
Capacitor		Cap	
Polarized Capacitor (Radial)		Cap Pol1	
Capacitor		Cap	
Capacitor		Cap	
Full Wave Diode Bridge		Bridge1	
Default Diode		FR207	
Default Diode		Diode	
Schottky Diode		MUR420	
Fuse		3A 250V	
Transformer (Ideal)		Trans Ideal	
Inductor		Inductor	
		PIN 3	
		PIN 2	
		FQP7N80C	
		0.15R	
		0.15R	
		10R	
		10R	
		0.15R	
		10R	
		0.15R	
		10R	
Resistor		Res1	
Resistor		Res1	
Resistor		Res1	
Resistor		Res1	
Resistor		Res1	
Resistor		Res1	
Resistor		0.15R	
Resistor		Res1	
Variable Resistor		Res Adj1	
Resistor		Res1	
		Trans	
		L6562A_SO8	
		PC817	
		tsm1014	
		Resistor_VDR	
		1N5380B	
Zener Diode		15v	