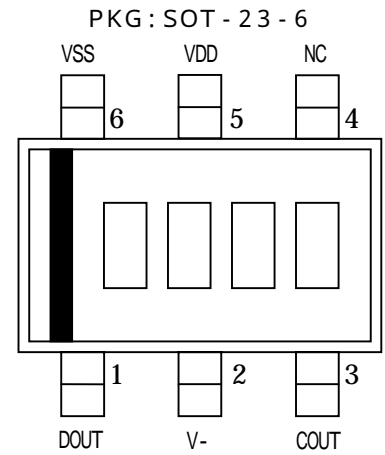
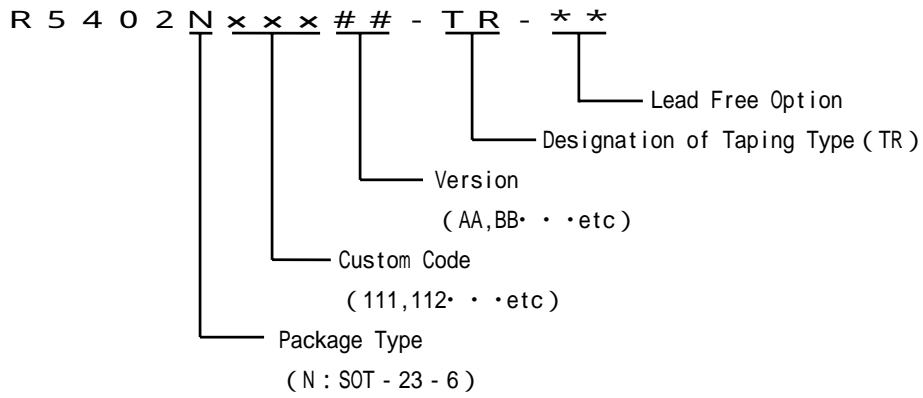


R 5 4 0 2 N series Mark Specification



Product Name		
R5402N106KD	V0	Lot No.
R5402N110KD	V1	Lot No.
R5402N120KD	V2	Lot No.
R5402N106CB	V3	Lot No.
R5402N110CB	V4	Lot No.
R5402N120CB	V5	Lot No.
R5402N126FC	V6	Lot No.
R5402N145FC	V7	Lot No.
R5402N149KD	V8	Lot No.
R5402N110FC	V9	Lot No.
R5402N120FC	VA	Lot No.
R5402N151FC	VB	Lot No.
R5402N101KD	VC	Lot No.
R5402N102KD	VD	Lot No.
R5402N155KD	VE	Lot No.
R5402N161FC	VF	Lot No.
R5402N163KD	VG	Lot No.
R5402N112FC	VH	Lot No.
R5402N108CC	VJ	Lot No.
R5402N128EC	VK	Lot No.
R5402N176EC	VL	Lot No.
R5402N149FC	VM	Lot No.

	Description
	Product Code (See Left)
	Lot No. (series) (00, 01 · · · 99, A0, A1 · · · A9, B0, B1 · · · B9, · · · Z9) (except I, 0, Q)