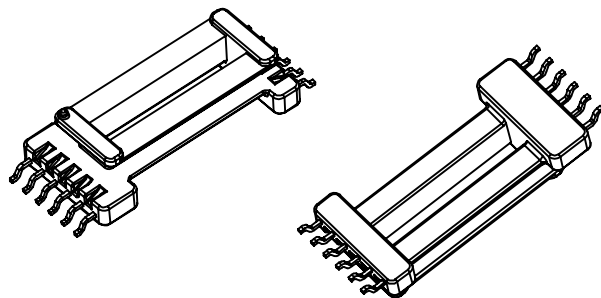
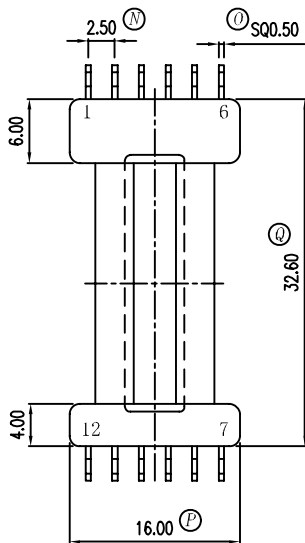
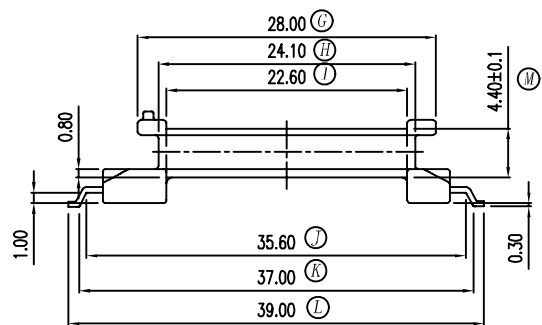
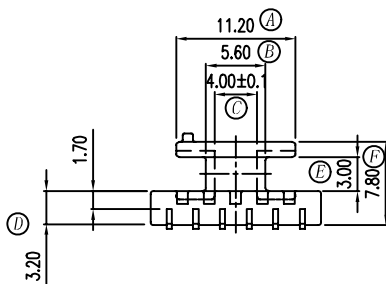
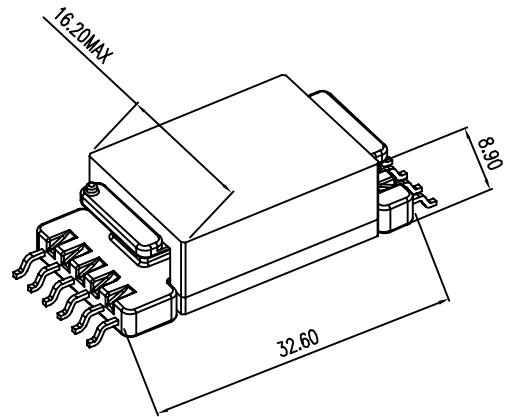
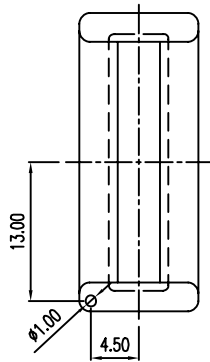


# HX-22XX



RoHS  
HF

REV.	REVISION RECORD	DATE	REV	REVISION RECORD	DATE
A			C		
B			D		

NAME	EIW-22 (10P)	MATERIAL	PM-9820	SCALE	1.5/1	ANGLE	±1°
DRAWING NO.	HX 22XX	PIN MATERIAL	CP WIRE	UNIT	m/m	REV.	A
东莞市华晶塑胶制品有限公司 DONGGUAN HUAXING PLASTIC MANUFACTURING PRODUCTS CO., LTD. TEL: 0769-86388088 86388188 86388288 FAX: 0769-86388111 http://www.hxbobbin.com E-Mail: hxbobbin@vip.163.com						TOLERANCE OF PIN PITCH ±0.20	
						PIN TENSION LOAD 1.0 kg MIN	
TOLERANCE: 0<L<4: ±0.1 4<L<16: ±0.2 16<L<63: ±0.3							
DRAWN & DRAFTED BY	LIN HUA JING	CHECKED & APPROVED BY	LIN GUO PING	DATE:	NOV 03 2009		