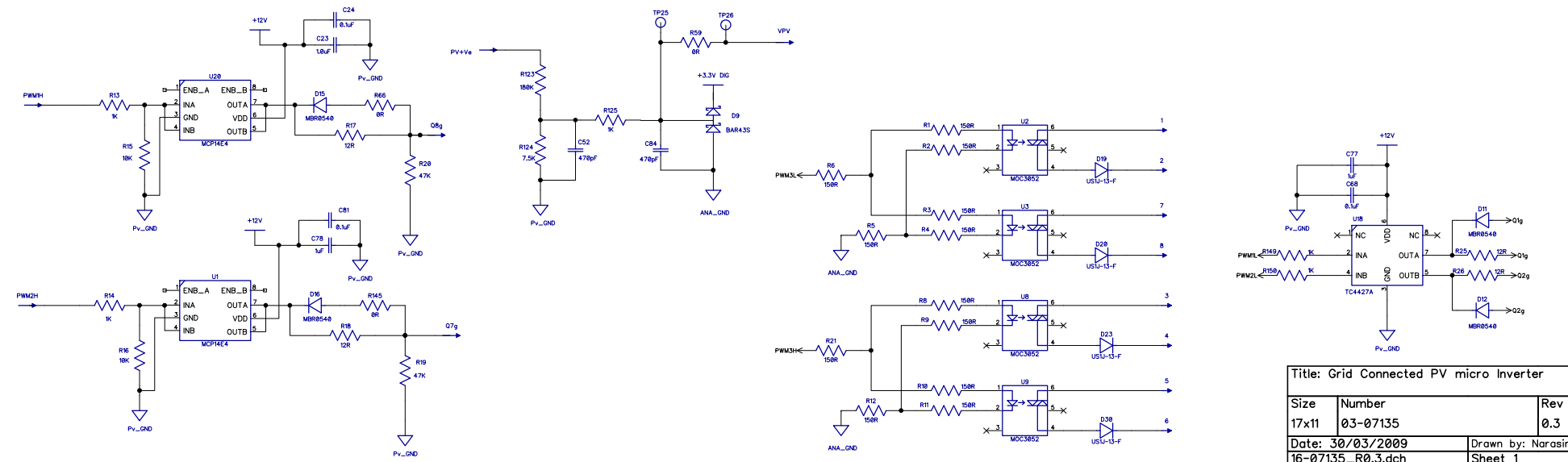
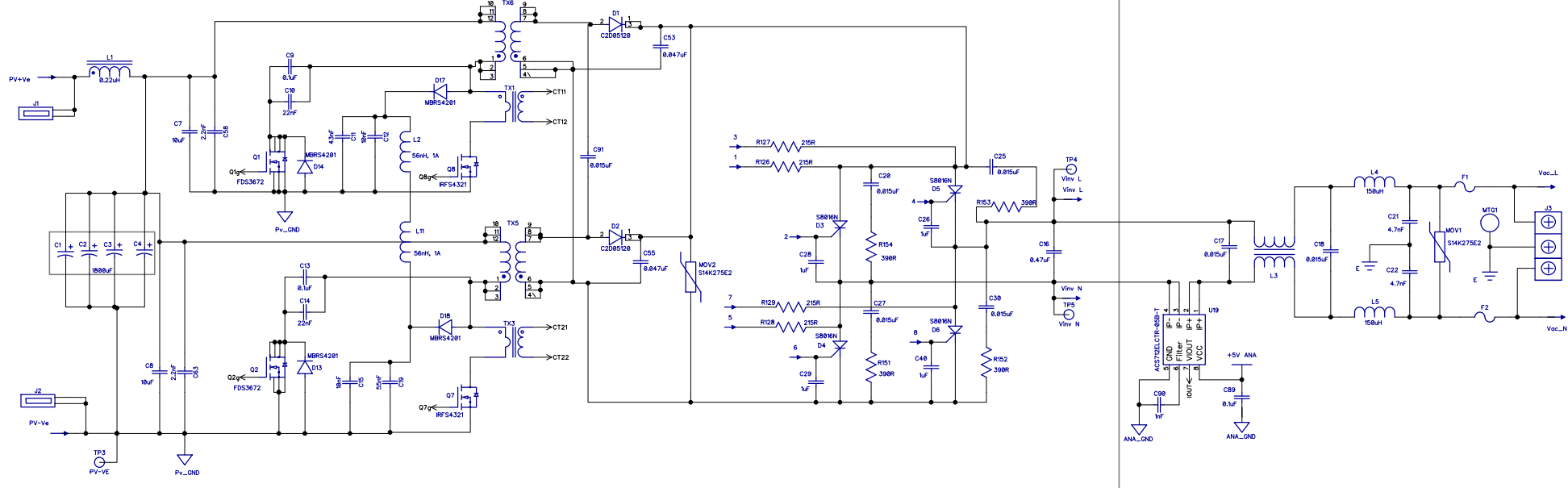


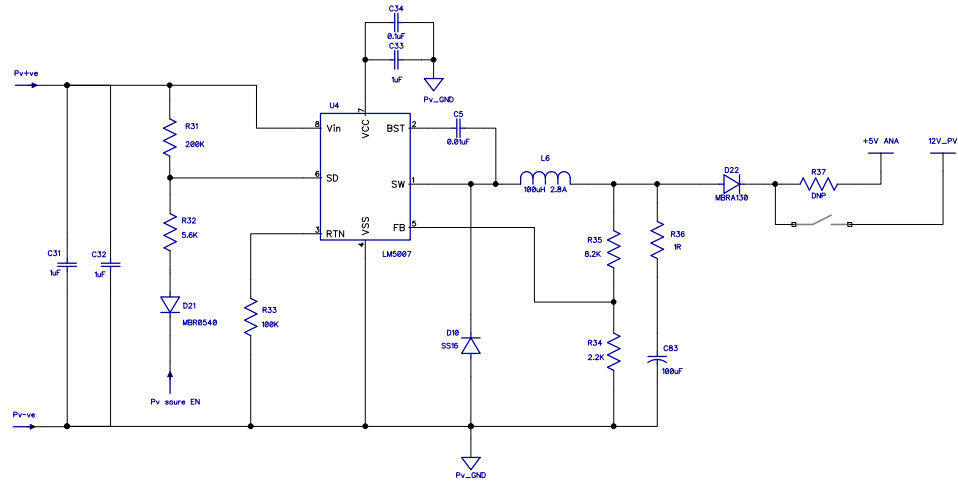
Interleaved Flyback Inverter



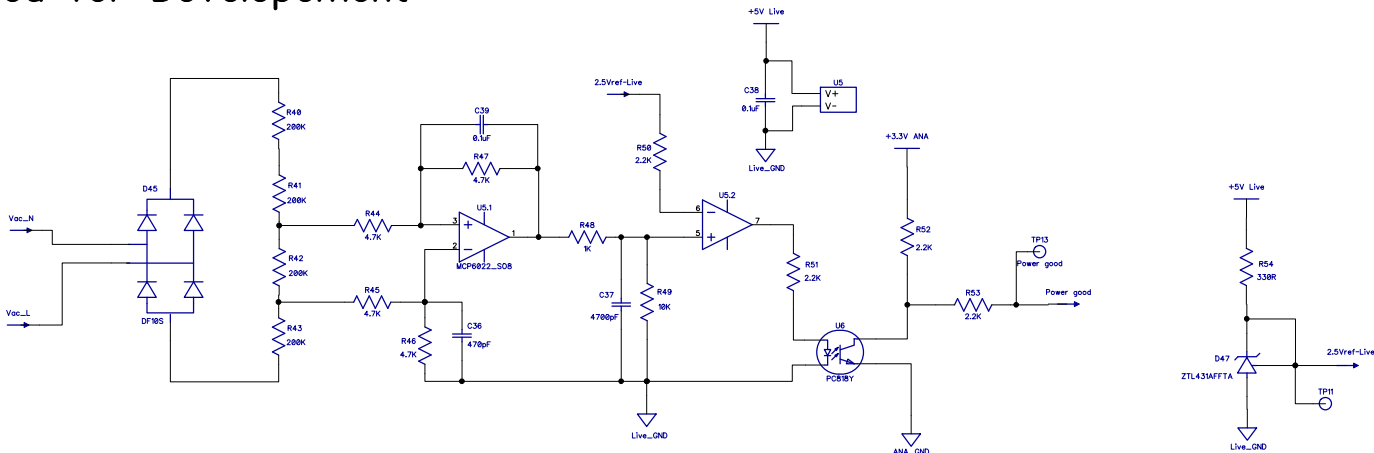
Title: Grid Connected PV micro Inverter

Size	Number	Rev
17x11	03-07135	0.3
Date: 30/03/2009	Drawn by: Narasimha	
16-07135_R0.3.dch	Sheet 1	

Auxiliary Power Supply



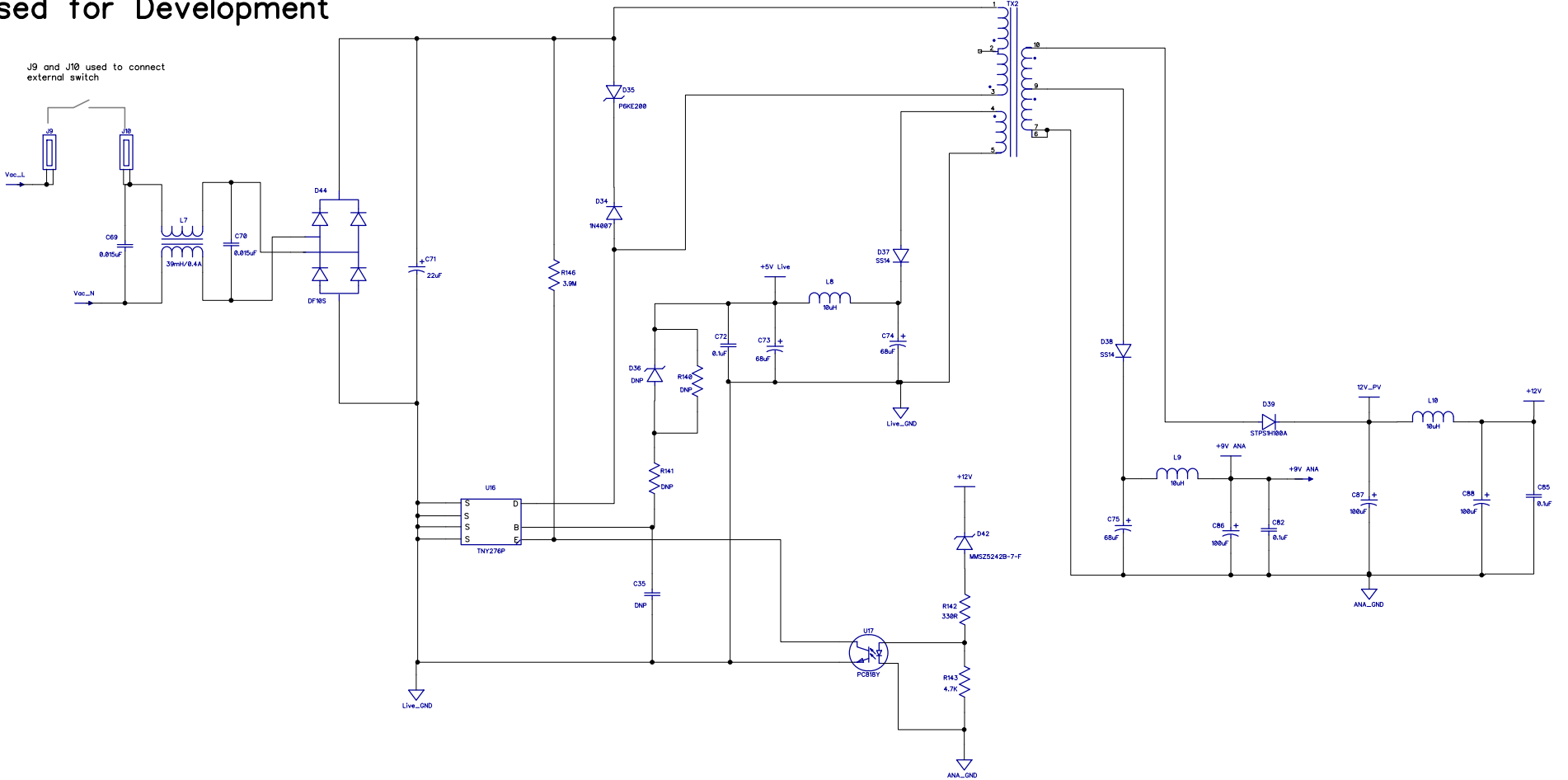
Used for Development



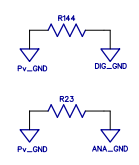
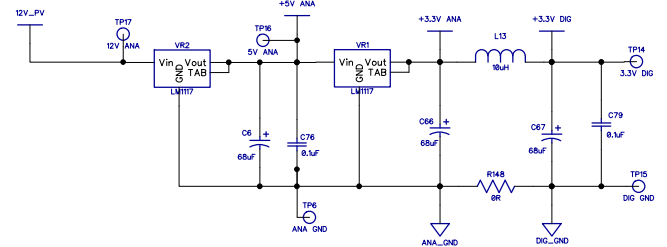
Title: Grid Connected PV micro Inverter		
Size	Number	Rev
17x11	03-07135	0.3
Date: 30/03/2009	Drawn by: Narasimha	
16-07135_R0.3.dch	Sheet 2	

Used for Development

J9 and J10 used to connect external switch

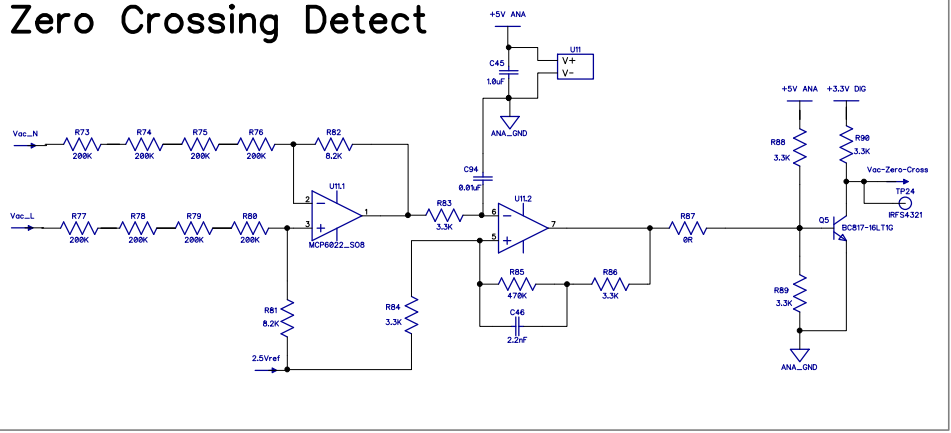


Auxiliary Supply

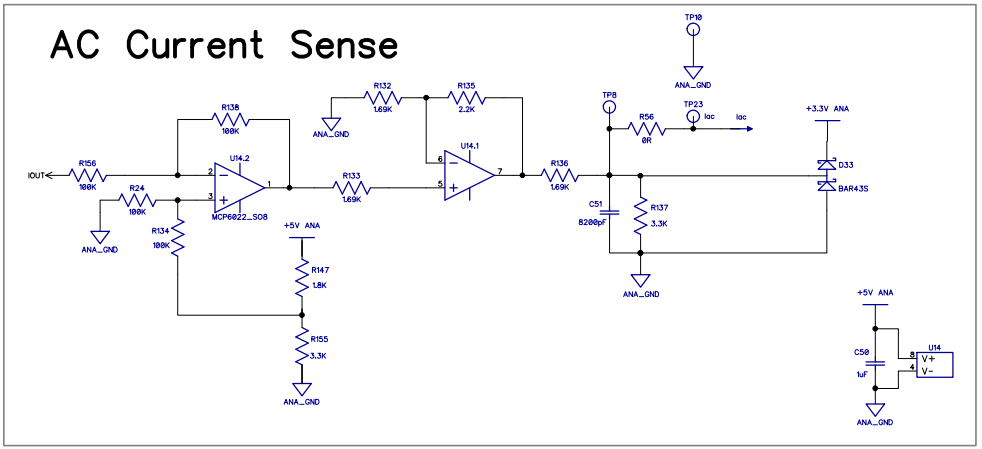


Title: Grid Connected PV micro Inverter		
Size	Number	Rev
17x11	03-07135	0.3
Date: 30/03/2009		Drawn by: Narasimha
16-07135_R0.3.dch		Sheet 3

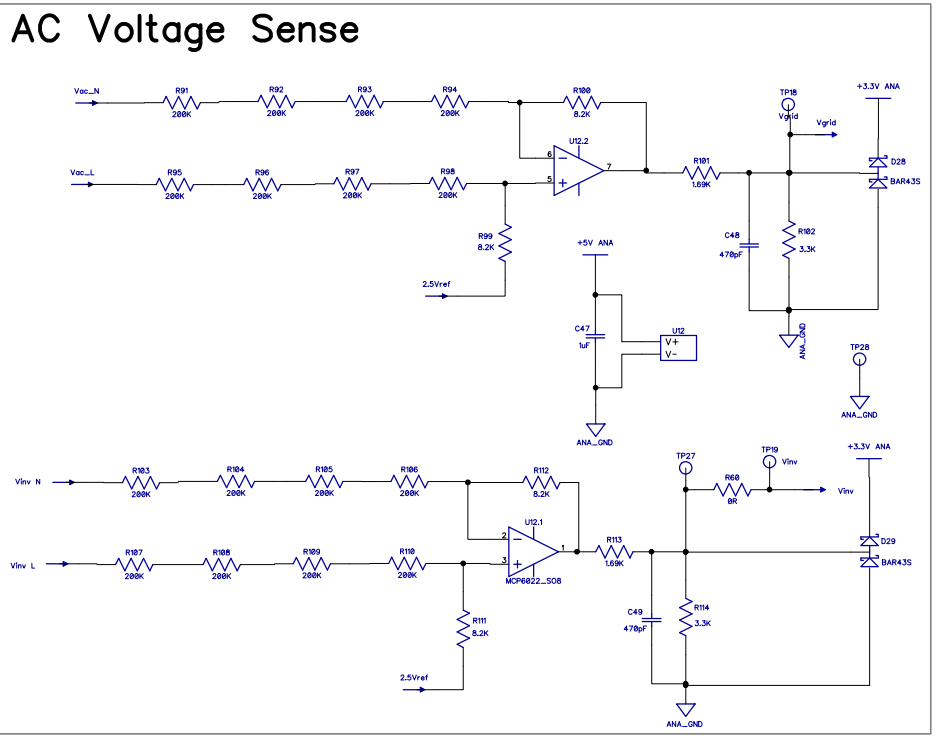
Zero Crossing Detect



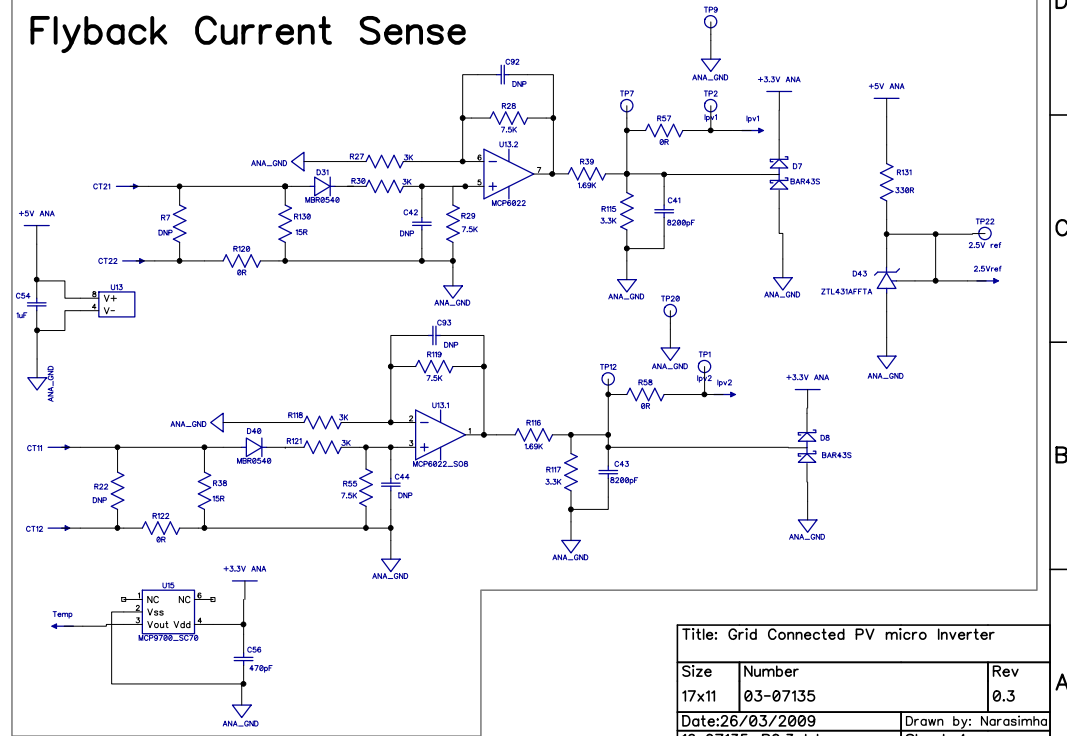
AC Current Sense



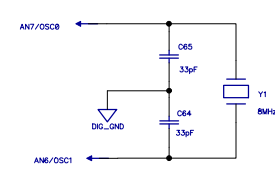
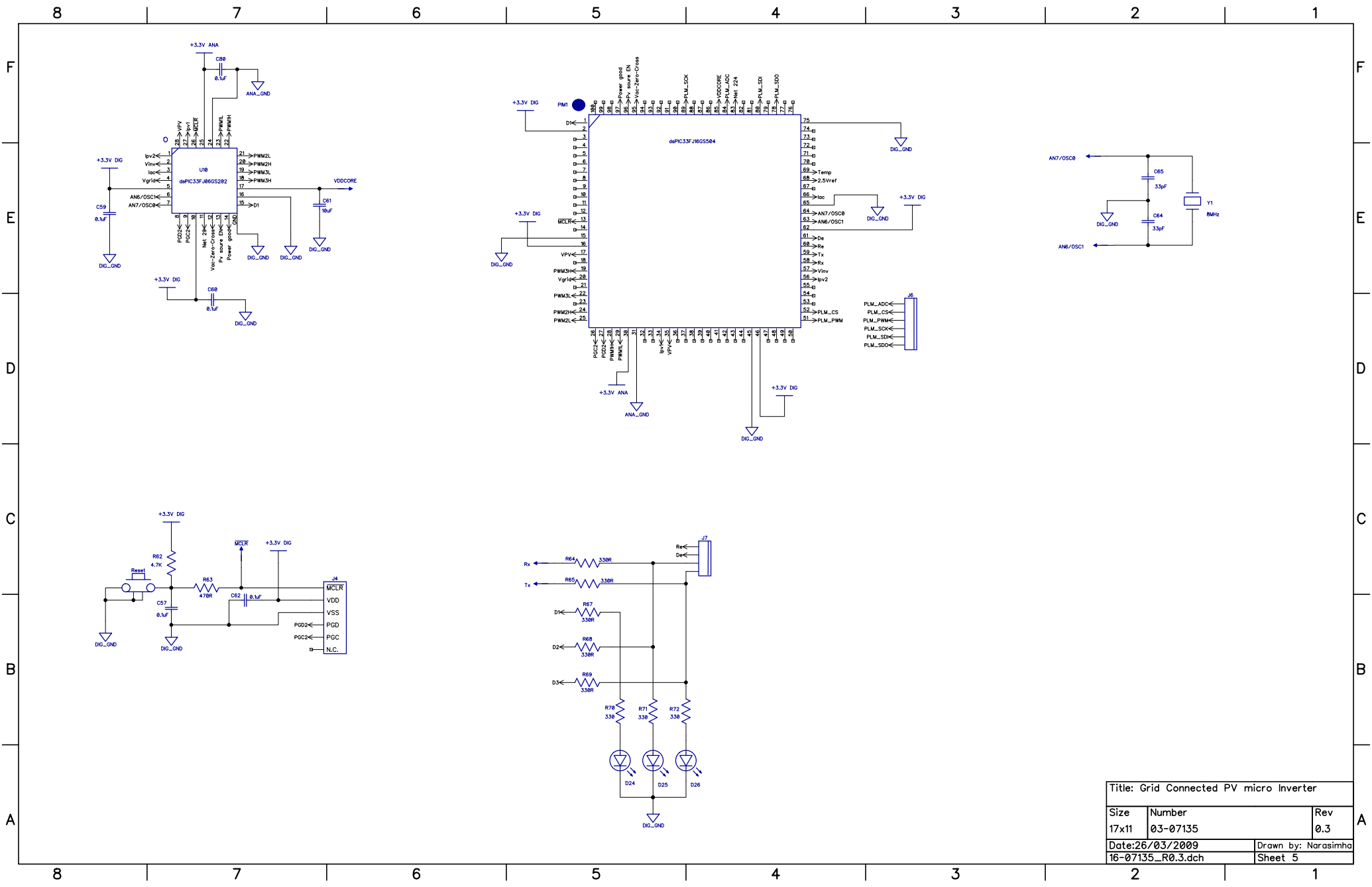
AC Voltage Sense



Flyback Current Sense



Title: Grid Connected PV micro Inverter		
Size	Number	Rev
17x11	03-07135	0.3
Date:26/03/2009	Drawn by: Narasimha	
16-07135_R0.3.dch	Sheet 4	



Title: Grid Connected PV micro Inverter		
Size	Number	Rev
17x11	03-07135	0.3
Date:26/03/2009	Drawn by: Narasimha	
16-07135_R0.3.dch	Sheet 5	