

NIKO-SEM

**GS7702**

Cell Balance Controller

NIKO-SEM Confidential

## Features

- Cell Balance Controller for Multi-Cell Li-ion Battery
- 1% Voltage Difference
- On/Off Control
- Programmable Working Voltage
- Over Temperature Protection
- 5.5~10.0V Input Voltage
- 210uA Max. Quiescent Current
- ~0 uA Shut Down Current
- 200mA Max. Programmable Balancing Current
- TSOT-23-6 / SOT-23-6 Package

## Applications

- Multi-cell Li-ion battery

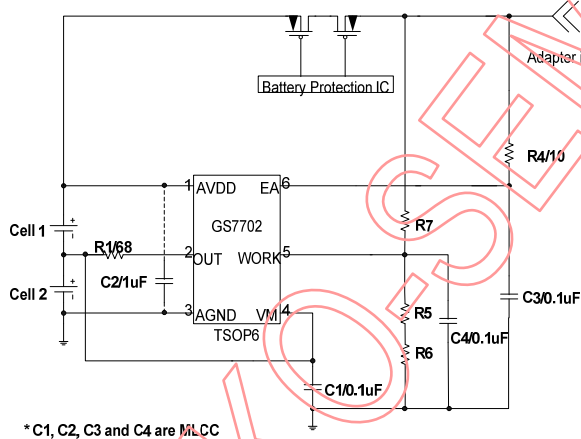
## General Description

The GS7702 is a cell balance controlled IC that can manage 1 % voltage difference in two Li-ion cells when Li-ion battery during operation.

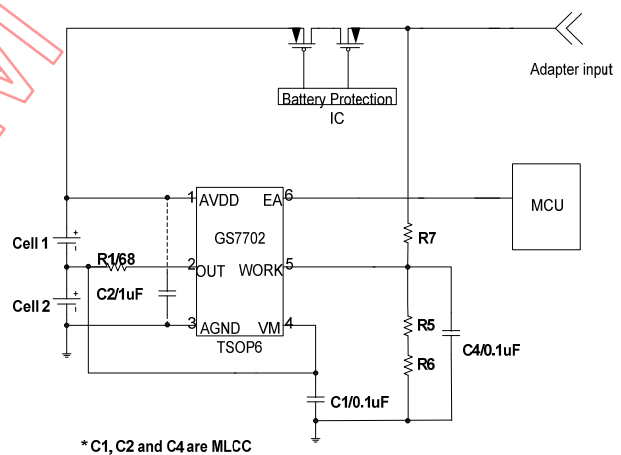
Internal switches and an external resistor is across the two Li-ion cells, when one of internal switches is turn on, the maximum current (balancing current) that can be drawn from or bypassed from the cell is 200mA.

Programmable working voltage help user to define the proper voltage range for cell balance function to optimize the efficiency of whole battery system. The EA pin may be used to shut down the IC when necessary.

## Typical Application



Application 1. Typical application of GS7702



Application 2. Typical application of GS7702 with EA control

Figure 1 Typical Application Circuit of GS7702

\*. Patent pending

This document is NIKO-SEM's confidential information. Anyone having confidential obligation to NIKO-SEM shall keep this document confidential. Any unauthorized disclosure or use beyond authorized purpose will be considered as violation of confidentiality and criminal and civil liability will be asserted.

### Function Block Diagram

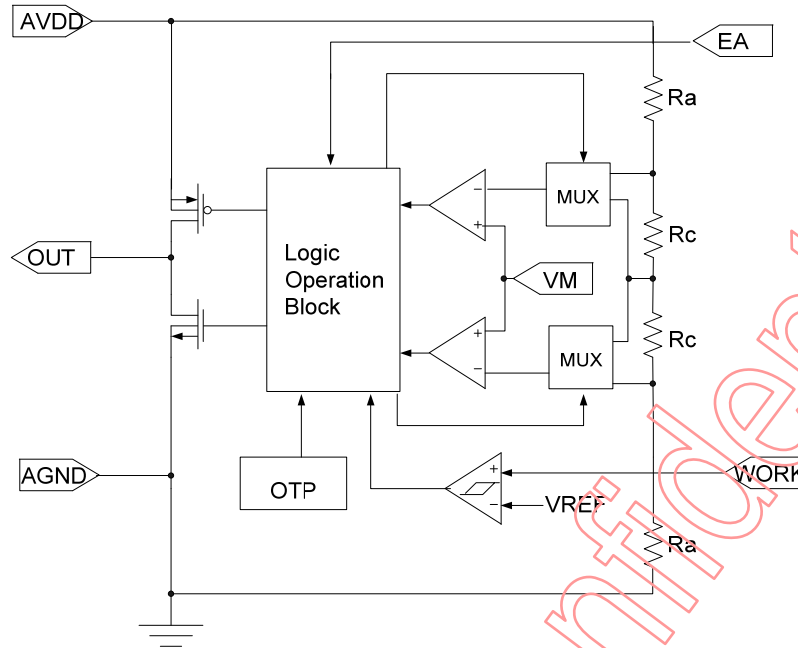
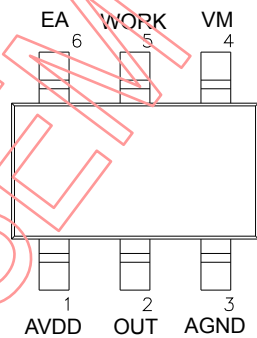


Figure 2 Function Block Diagram

### Pin Configuration



TSOT-23-6/SOT-23-6

### Pin Descriptions

Pin No.		Name	I/O type	Pin Function
TSOT-23-6	SOT-23-6			
1	1	AVDD	I	Power supply pin
2	2	OUT	O	Output pin
3	3	AGND	O	Ground pin
4	4	VM	I	Middle voltage of series cells
5	5	WORK	I	Voltage Input for starting balancing function
6	6	EA	I	Enable pin

## Ordering Information

## GS7702PP- R

Package ←      → Shipping

No	Item	Contents
1	Package	TP: TSOT-23-6 ST: SOT-23-6
2	Shipping	R: Tape & Reel

Example: GS7702 SOT-23-6 Tape & Reel ordering information is "GS7702ST-R"

## Absolute Maximum Rating (Note 1)

Parameter	Symbol	Limits	Units
Input Voltage	AVDD	$-0.3 < AVDD < 11$	V
Input voltage of Enable pin	EA	$-0.3 < EA < 11$	V
Current pass through OUT pin	$I_{OUT}$	$0 < I_{OUT} < 220$	mA
Package Power Dissipation at $T_a \leq 25^\circ\text{C}$	$P_{D\_SOT-23-6}$	400	mW
Package Power Dissipation at $T_a \leq 25^\circ\text{C}$	$P_{D\_TSOT-23-6}$	455	mW
Junction Temperature	$T_J$	- 45 ~ 150	$^\circ\text{C}$
Storage Temperature	$T_{STG}$	- 65 ~ 150	$^\circ\text{C}$
Lead Temperature (Soldering) 10S	$T_{LEAD}$	260	$^\circ\text{C}$
ESD (Human Body Mode) (Note 2)	$V_{ESD\_HBM}$	2K	V
ESD (Machine Mode) (Note 2)	$V_{ESD\_MM}$	200	V

## Thermal Information

Parameter	Symbol	Limits	Units
Thermal Resistance Junction to Ambient	$\theta_{ja\_SOT-23-6}$	250	$^\circ\text{C}/\text{W}$
Thermal Resistance Junction to Ambient	$\theta_{ja\_TSOT-23-6}$	220	$^\circ\text{C}/\text{W}$

## Recommend Operating Condition (Note 3)

Parameter	Symbol	Limits	Units
Input Voltage	AVDD	5.5~10	V
Junction Temperature	$T_J$	- 40 ~ 125	$^\circ\text{C}$

## Electrical Characteristics

(AVDD = 8.4V , AGND=0V, T<sub>A</sub> = 25°C , no used cell balance function, unless otherwise specified)

Parameter	Symbol	Conditions	Min.	Typ.	Max.	Units
<b>Supply Voltage Section</b>						
AVDD Operation Voltage	AVDD		5.5		10	V
IC Operation Current (Note 4)	I <sub>OP</sub>	EA=8.4V	-	130	210	uA
IC Off Current	I <sub>OFF</sub>	EA=0V	-	40	-	nA
<b>Switches for Cell Balance</b>						
Output Current Capability	I <sub>OUT</sub>	Balanced current			200	mA
Turn on resistor	R <sub>ON_N</sub>	VM=5V		5	15	Ohm
	R <sub>ON_P</sub>	VM=3V		6	18	Ohm
Difference in voltage of two cells	V <sub>BAL</sub>	The difference in voltage of two cell is less than V <sub>BAL</sub> when finished balance function		5	25	mV
	V <sub>UNBAL</sub>	When the difference in voltage of two cell is greater than V <sub>UNBAL</sub> , the cell balance function is starting.			70	mV
<b>Programmable Working Voltage</b>						
Working Voltage Threshold	V <sub>WK</sub>	When the user defined voltage is greater than V <sub>WK</sub> , the cell balance function is starting.	1.196	1.22	1.244	V
Hysteresis	V <sub>WKHYS</sub>		-	20	-	mV
<b>EA, On/Off control</b>						
Turn on threshold	V <sub>ON</sub>		2			V
Turn off threshold	V <sub>OFF</sub>				0.8	V
<b>Thermal Shut Down</b>						
Thermal Shut Down Temperature Threshold	T <sub>SDTH</sub>	Thermal shutdown the cell balance function	-	150	-	°C
Thermal Shut Down Temperature Hysteresis	T <sub>SDHYS</sub>		-	30	-	°C

**Note 1.** Stresses listed as the above “Absolute Maximum Ratings” may cause permanent damage to the device. These are for stress ratings. Functional operation of the device at these or any other conditions beyond those indicated in the operational sections of the specifications is not implied. Exposure to absolute maximum rating conditions for extended periods may remain possibility to affect device reliability.

**Note 2.** Devices are ESD sensitive. Handling precaution recommended.

**Note 3.** The device is not guaranteed to function outside its operating conditions.

**Note 4.** I<sub>op</sub> does not include current drawn from or bypassed from the cell.

**Note 5.** Recommended using at least three resistors to set working voltage

## Functional Description

### Programmable Working Voltage

GS7702 provides the programmable working voltage function. User may define the turn on supply voltage of GS7702. GS7702 performs the balance function when the supply voltage is larger than the defined working voltage and disable the cell balance function when supply voltage less than the user defined supply voltage. User may set this voltage through the external resistor string. The equation of working voltage is

$$AVDD * \left( \frac{R5 + R6}{R5 + R6 + R7} \right) \cong V_{ref} . \text{ For example,}$$

R5=470k, R6=150k and R7=3300K , The cell balance function is performed when supply voltage  $\geq 7.71V$ .

Such setting allows the system performs cell balancing function mostly during “charging phase”.

### EA, On/Off Control

GS7702 EA pin may shut down the chip with  $\sim 0$   $\mu A$  consumption current when EA < 0.8V.

### Switches for Cell Balance

In typical application, the build-in PMOS switch connects to an upper cell and the NMOS switch is connected to a lower cell. The GS7702 measure the average voltage of the cells string and turns on the PMOS when the voltage of the upper cell is larger than the average voltage

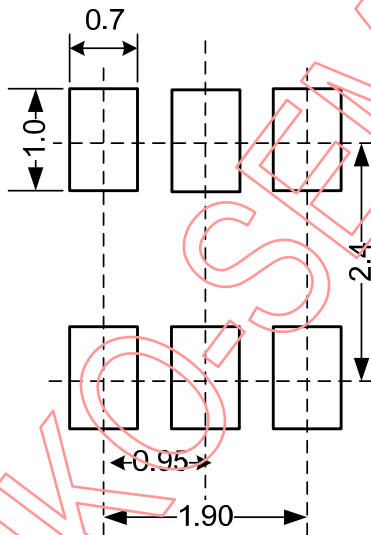
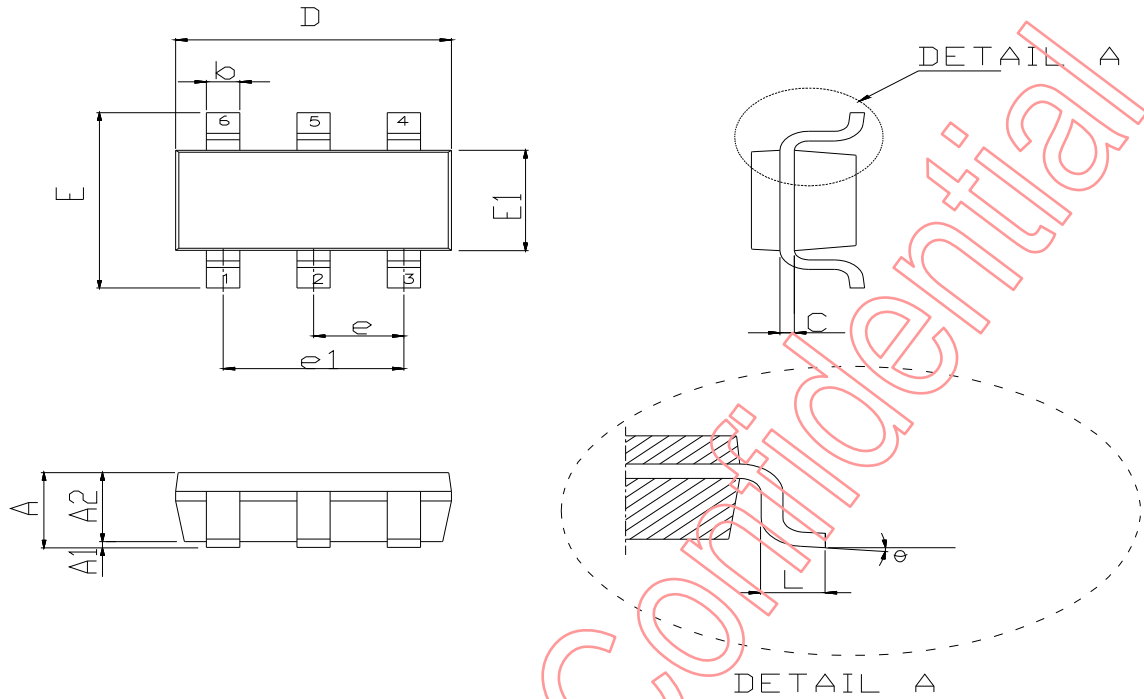
GS7702 turns on the NMOS when the voltage of the lower cell is larger than the average voltage.

The current pass through the NMOS or PMOS switches are set by an external resistor between the OUT and VM pin.

The switch and resistor provides an extra current consumption path to reduce the voltage of the cell with higher voltage.

GS7702 allows user to set the max. 200mA current to perform the balance function.

Package Dimensions, SOT-23-6



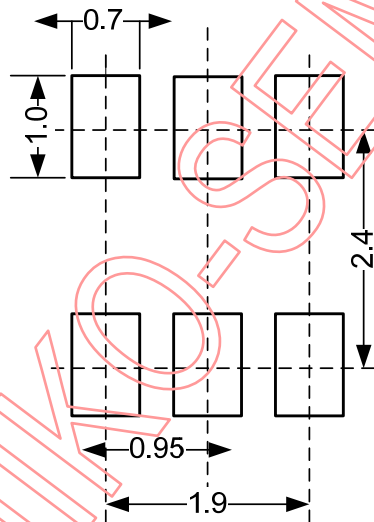
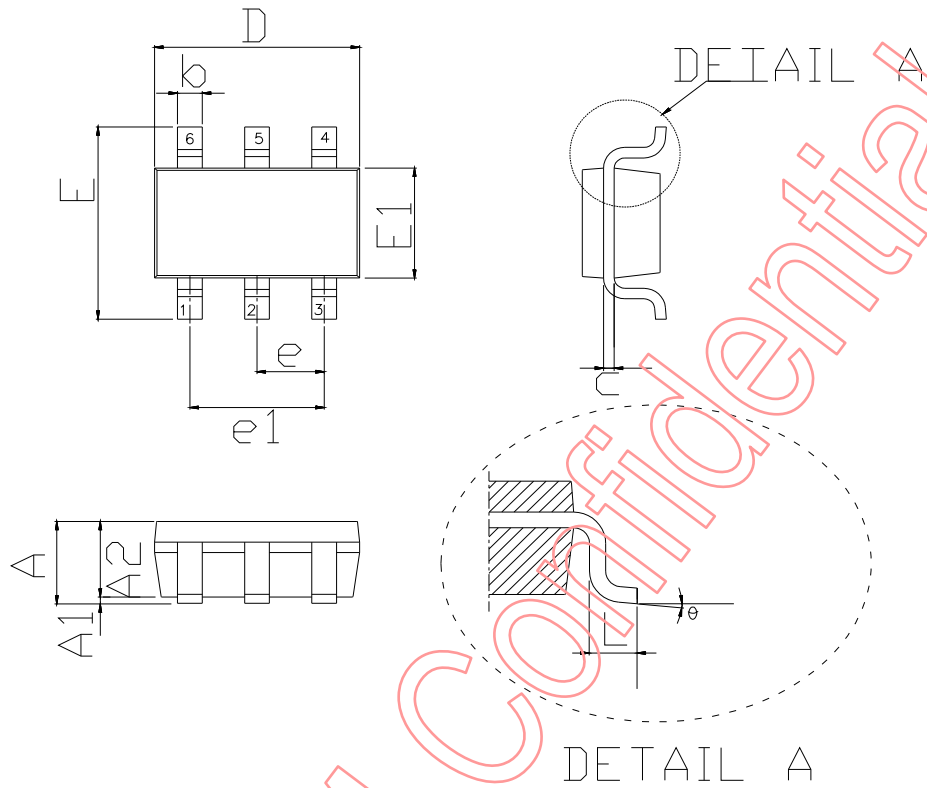
Unit: mm

Symbol	Dimensions in Millimeters	
	Min.	Max.
A	0.90	1.45
A1	0.00	0.15
A2	0.90	1.30
b	0.30	0.50
c	0.08	0.25
D	2.70	3.10
E	2.50	3.10
E1	1.40	1.80
e	0.95 REF.	
e1	1.90 REF.	
L	0.37 REF.	
$\theta$	0°	10°

Note

- 1.Min.: Minimum dimension specified.
- 2.Max.: Maximum dimension specified.
- 3.REF.: Reference. Normal/Regular dimension specified for reference.

Package Dimensions, TSOT-23-6



Unit: mm

Symbol	Dimensions in Millimeters	
	Min.	Max.
A	0.70	1.10
A1	0.00	0.15
A2	0.70	0.95
b	0.30	0.50
c	0.08	0.25
D	2.70	3.10
E	2.50	3.10
E1	1.40	1.80
e	0.95 REF.	
e1	1.90 REF.	
L	0.37 REF.	
$\theta$	0°	10°

Note

- 1.Min.: Minimum dimension specified.
- 2.Max.: Maximum dimension specified.
- 3.REF.: Reference. Normal/Regular dimension specified for reference.



NIKO-SEM Confidential

## DISCLAIMERS

**Please read the notice stated in this preamble carefully before Admission e accessing any contents of the document attached. Admission of NIKO-SEM's statement therein is presumed once the document is released to the receiver.**

Notice:

*Firstly, NIKO SEMICONDUCTOR CO., LTD. (NIKO-SEM) reserves the right to make corrections, modifications, enhancements, improvements, and other changes to its information herein without notice.. And the aforesaid information does not form any part or parts of any quotation or contract between NIKO-SEM and the information receiver.*

*Further, no responsibility is assumed for the usage of the aforesaid information. NIKO-SEM makes no representation that the interconnect of its circuits as described herein will not infringe on exiting or future patent rights and other intellectual property rights, nor do the descriptions contained herein express or imply that any licenses under any NIKO-SEM patent right, copyright, mask work right, or other NIKO-SEM intellectual property right relating to any combination, machine, or process in which NIKO-SEM products or services are used.*

*Besides, the product in this document is not designed for use in life support appliances, devices, or systems where malfunction of this product can reasonably be expected to result in personal injury. NIKO-SEM customers' using or selling this product for use in such applications shall do so at their own risk and agree to fully indemnify NIKO-SEM for any damage resulting from such improper use or sale.*

*At last, the information furnished in this document is the property of NIKO-SEM and shall be treated as highly confidentiality; any kind of distribution, disclosure, copying, transformation or use of whole or parts of this document without duly authorization from NIKO-SEM by prior written consent is strictly prohibited. The receiver shall fully compensate NIKO-SEM without any reservation for any losses thereof due to its violation of NIKO-SEM's confidential request. The receiver is deemed to agree on NIKO-SEM's confidential request therein suppose that said receiver receives this document without making any expressly opposition. In the condition that aforesaid opposition is made, the receiver shall return this document to NIKO-SEM immediately without any delay.*