



5 Power Supply

5.1 General description

This Power Supply Unit (PSU) will be used in a domestic appliance, China version only.

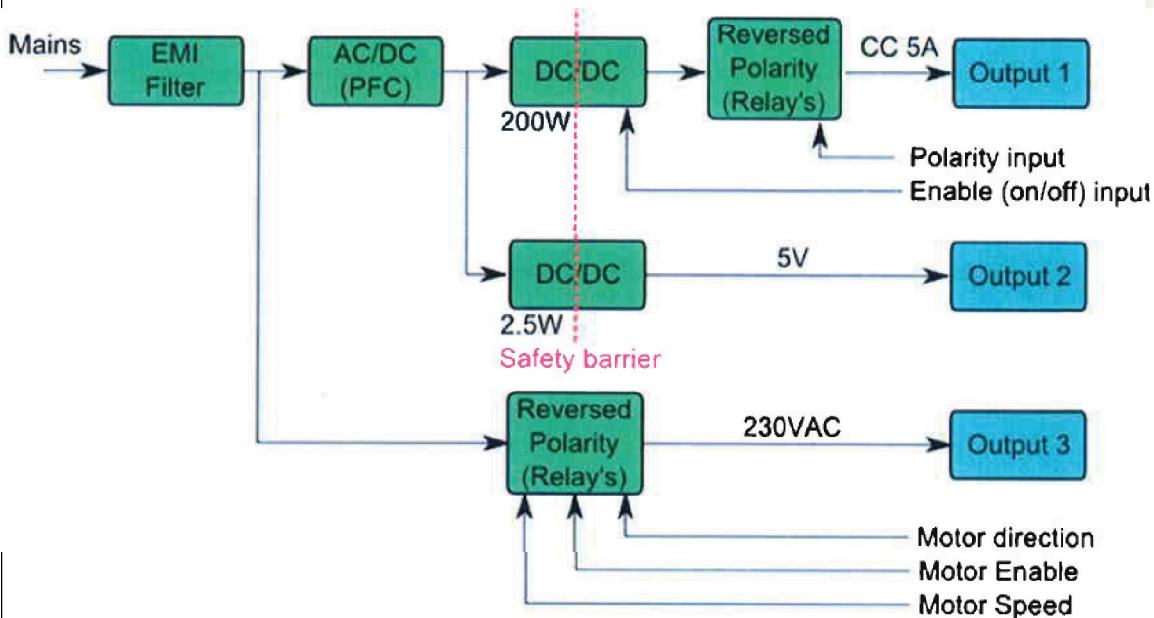
The PSU has three outputs.

One of the outputs supplies a DC current output, classified according to SELV (42Vdc max).

The other output supplies a 5VDC output, classified according to SELV (42Vdc max), for the user interface part of the appliance.

The third output is a 220VAC output that drives a AC motor and is able to change the rotating direction of the motor.

The architecture of the power supply unit is given in the figure below:



5.2 Functional Requirements

5.2.1 Electrical Requirements

5.2.1.1 Absolute maximum ratings

Parameter	Min.	Typ.	Max.	Unit
Input voltage	196		265	Vac
Frequency	47		63	Hz
ON mode DC Output Power	< 240	W		
Off mode Input Power @ Pout=0 W	<0.15	W		
Efficiency(typical load)	>85	%		

5.2.1.2 Nominal operating conditions

Values given in this section will be used for reliability temperature measurements.

Parameter:	Min.	Typ.	Max.	Unit
Operating input voltage		220		Vac
Frequency		50		Hz
Combined DC output power		232.5		W