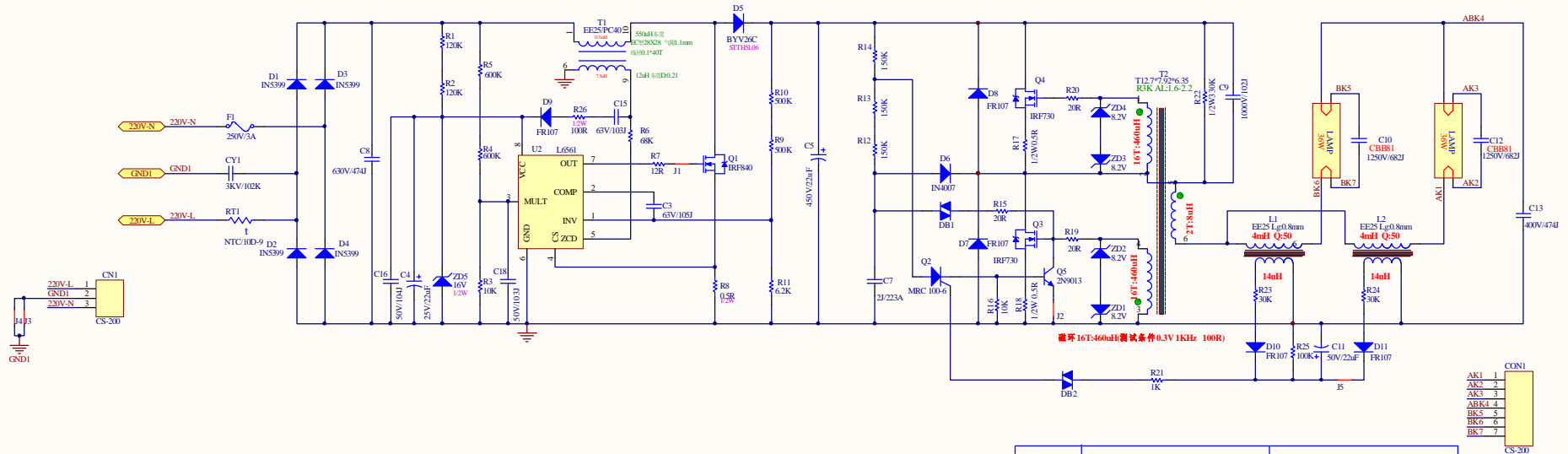


# SDAE-18电路原理图



Design/Feng Bao Yu

2X32W 输入特性		灯电压		灯电流		灯丝电流		导入阴极电流	
POWER		VLrms		ALrms		Afms		AKrms	
PF		VLcf		ALcf		Afcf		AKcf	
Vthd		Freq							
Athd		Pout							

	EE25 PC40Lg0.9 100T-810μH AL-81μH 172T-2.4mH/D0.1x10	EE25 PC40Lg0.9 100T-810μH AL-81μH B-124mH 172T-2.4mH/D0.1x10 Bmkc-12x1.7-210μH
2X18W		
2X36W		

Title		
Size	Number	Revision
A0		
Date:	2019-11-22	Sheet of
File:	File: SDAE-18.SchDoc	Drawn By: