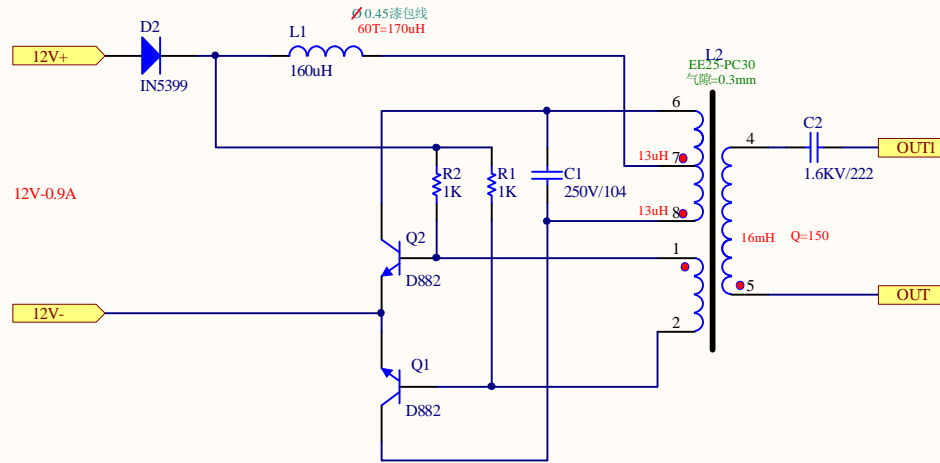


SDAE-12V电路原理图



注意:+号代表同名端

T1参数			
100T=1.76mH	Q=100	绕线次序	线径
310T=16mH	<5+ 4>	1	Ø0.25mm
8T=13uH	<8+ 7>	2	Ø0.45mm
	<7+ 8>	3	Ø0.45mm
	<1+ 2>	4	Ø0.45mm

Title			
2010/3/28			
Size	Number	Revision	
A4		Feng Bao Yu	
Date:	2010-12-14	Sheet of	
File:	F:\瑜\SDAE-15.SchDoc	Drawn By:	