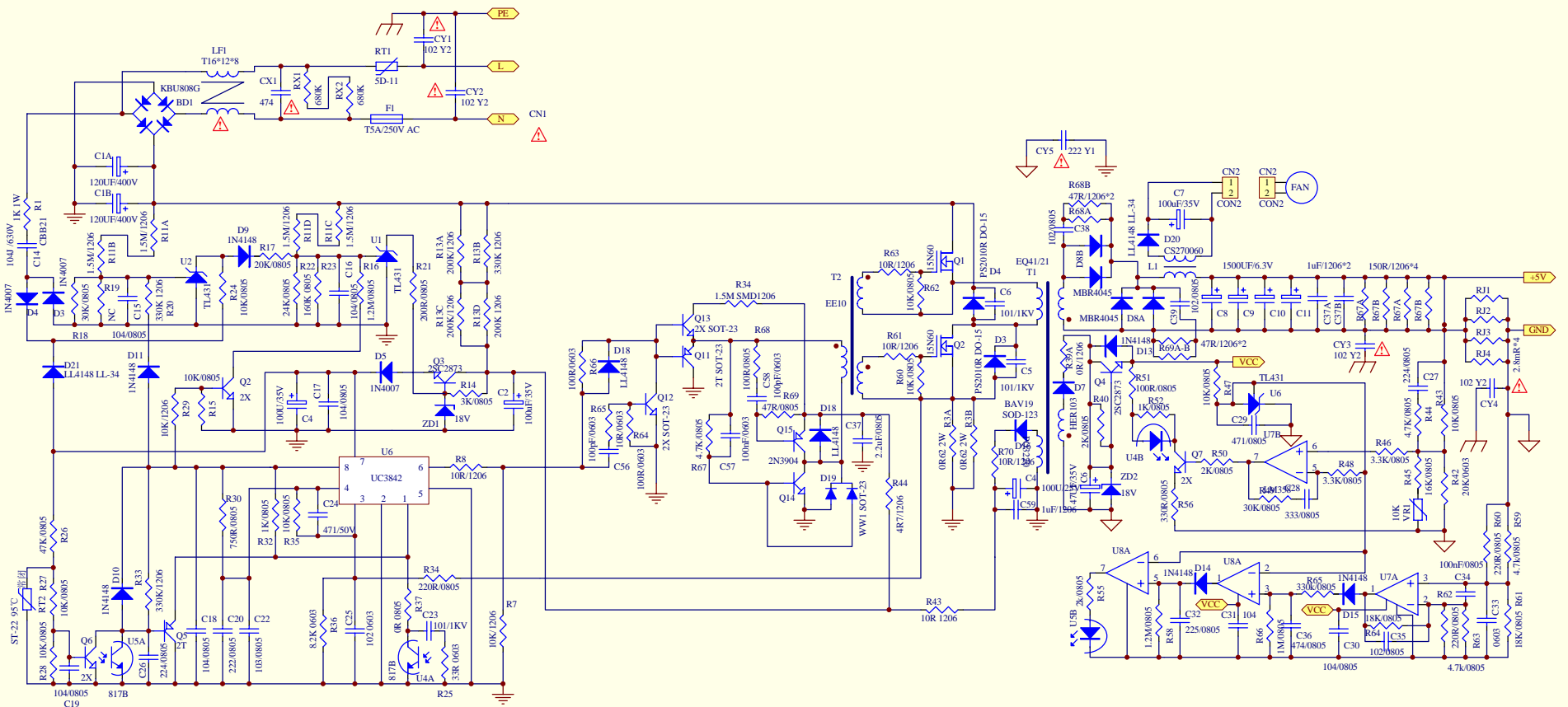


REVISION				
ISSUE	ZONE	DESCRIPTION	DATE	REVISER



		CHECKED	APPROVED	UNIT	mm
				SIZE	A4
		MODEL NO.	PART NO.	MATERIAL	DATE
				Circuit diagram	