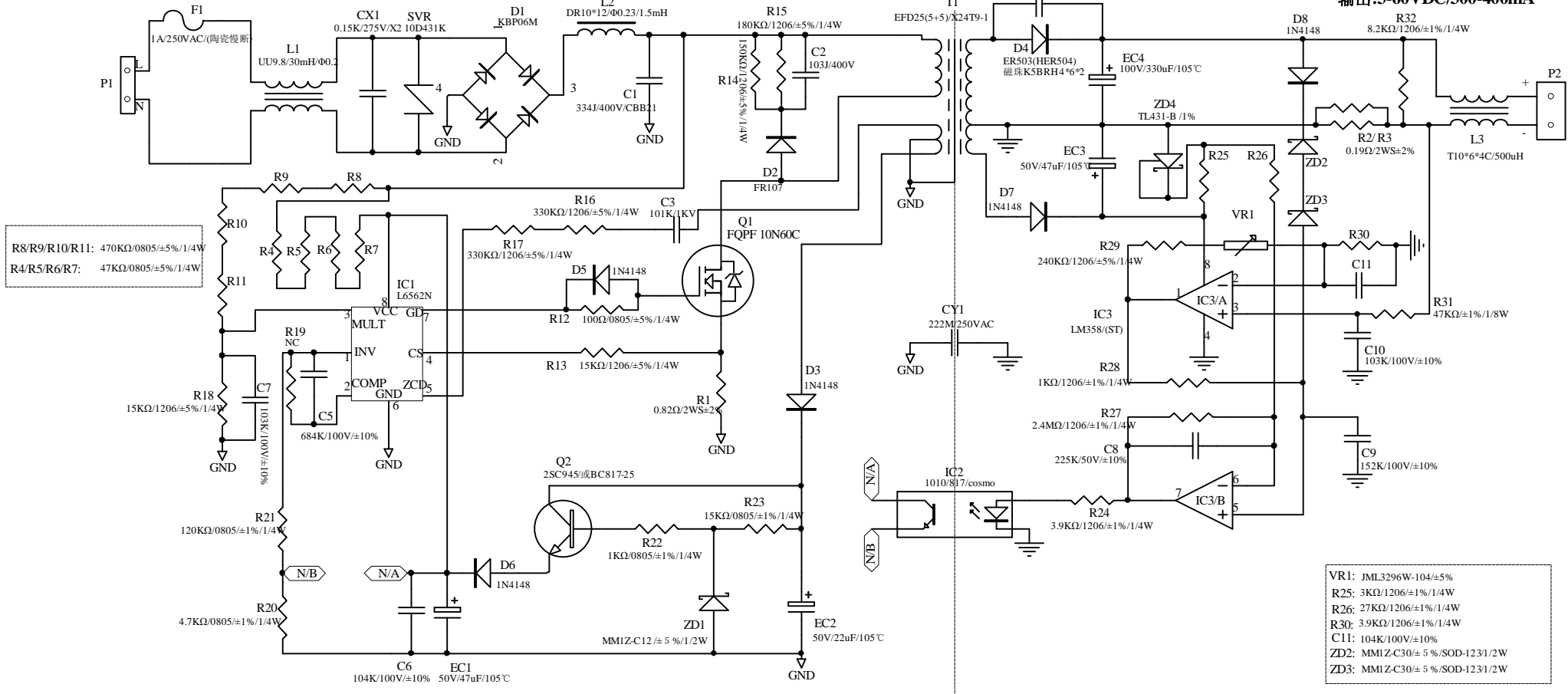


X24T9-60 原理图

输入:100V-240VAC 50/60Hz

输出:3-60VDC/300-400mA



R8/R9/R10/R11: 470K Ω /0805 \pm 5%/1/4W
R4/R5/R6/R7: 47K Ω /0805 \pm 5%/1/4W

VR1: JML3296W-104 \pm 5%
R25: 3K Ω /1206 \pm 1%/1/4W
R26: 27K Ω /1206 \pm 1%/1/4W
R30: 3.9K Ω /1206 \pm 1%/1/4W
C11: 104K/100V \pm 10%
ZD2: MMI-Z-C30 \pm 5%/SOD-123/1/2W
ZD3: MMI-Z-C30 \pm 5%/SOD-123/1/2W

核准: _____ 审核: _____ 制图: _____

Title		X24T9-60	
Size	Number	Revision	
A4	1	1.4	
Date:	7-Sep-2010	Sheet of	1-1
File:	E:\xhd\X24T9-60 SCH.ddb	Drawn By:	