

12V/ 6A & 28.8V/ 0.5A or 24V/6A & 28.8V/0.5A

DC output
Option board connector 1

DC+
DC-
COM1
COM2
Option board connector 2

DC+
DC-
COM1
COM2
Option board connector 3

DC+
DC-
COM1
COM2

Detect PIN Voltage
2.5V @ 12V output
5.0V @ 24V output

Recharge PIN Voltage
28.8V ±5%

Battery backup
Option Expansion

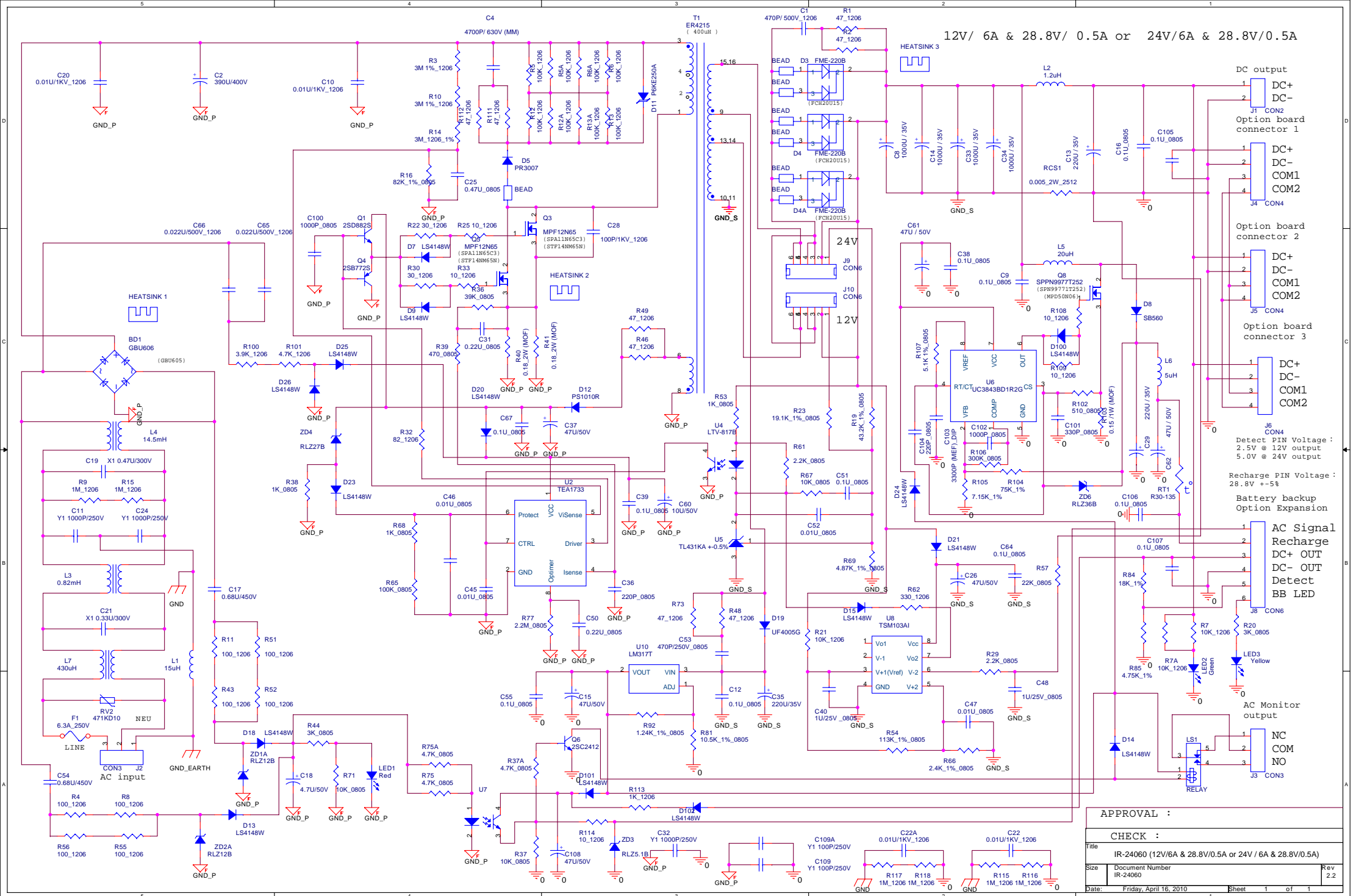
AC Signal
Recharge
DC+ OUT
DC- DET
BB LED

AC Monitor output

NC
COM
NO



APPROVAL :	
CHECK :	
File IR-24060 (12V/6A & 28.8V/0.5A or 24V / 6A & 28.8V/0.5A)	
Size	Document Number
IR-24060	IR-24060
Date: Friday, April 16, 2010	Sheet 1 of 1
Rev	2.2



12V/ 6A & 28.8V/ 0.5A or 24V/6A & 28.8V/0.5A

DC output
DC+
DC-
Option board connector 1

DC+
DC-
COM1
COM2
Option board connector 2

DC+
DC-
COM1
COM2
Option board connector 3

DC+
DC-
COM1
COM2

Detect PIN Voltage :
2.5V @ 12V output
5.0V @ 24V output

Recharge PIN Voltage :
28.8V +/-5%

Battery backup
Option Expansion

AC Signal
Recharge
DC+ OUT
DC- OUT
Detect
BB LED

AC Monitor output

NC
COM
NO

APPROVAL :

CHECK :

Title		IR-24060 (12V/6A & 28.8V/0.5A or 24V / 6A & 28.8V/0.5A)	
Size	Document Number	IR-24060	Rev 2.2
Date:	Friday, April 16, 2010	Sheet	1 of 1