



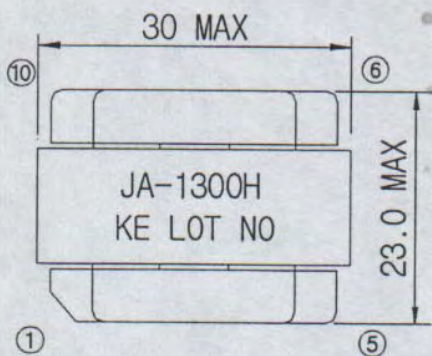
# APPROVAL SHEET

DATE 2001. 09. 10.

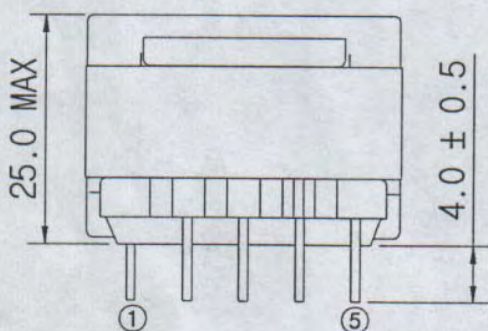
PAGE 1 OF 15

CUSTOMER	KI SAN ELECTRONICS CO., LTD.		
PART NAME	SWITCHING TRANS	MODEL NO.	JA-1300H
PART NO.	JA-1300H	SAMPLE NO.	

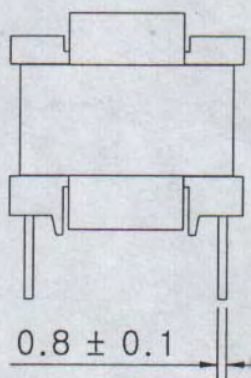
1. DIMENSIONS (UNIT:mm)



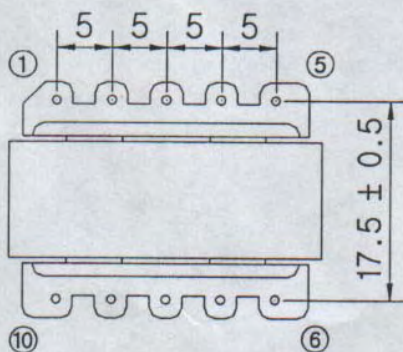
(TOP VIEW)



(FRONT VIEW)



(SIDE VIEW)



(BOTTOM VIEW)

DRAWN BY	CHECK BY	APPR. BY	UNIT
			REV. NO
			DATE

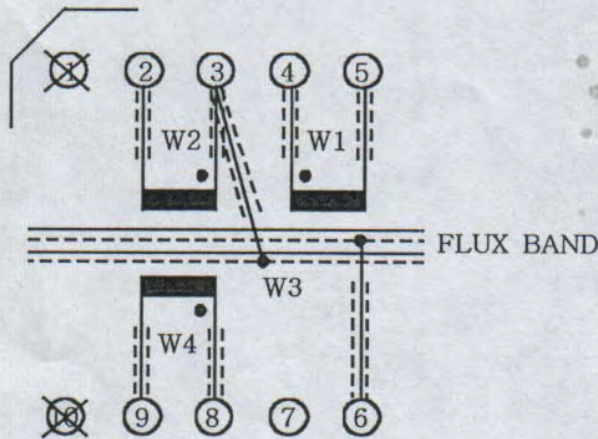
# APPROVAL SHEET

DATE 2001. 09. 10.

PAGE 2 OF 15

CUSTOMER	KI SAN ELECTRONICS CO., LTD.		
PART NAME	SWITCHING TRANS	MODEL NO.	JA-1300H
PART NO.	JA-1300H	SAMPLE NO.	

## 2. CONNECTION (BOTTOM VIEW)



REMOVED PIN	# 1 , 10
N.C PIN	
CUT PIN	#
TEFLON TUBE	# ALL PIN TUBE
FLUX BAND	# 6

\*\* DOT MARK  
: START OF WINDING

## 3. WINDING SPECIFICATION

NO	TERMINAL		WIRE	Ts	WINDING METHOD	INSULATION		BARRIER	
	S	F				MATERIAL ( t / mm )	Ts	TOP	PIN
W1	4	5	UEW 0.30Φ	48	SOLENOID	POLYESTER TAPE 0.025 / 10	2	3	3
W3	3	2	UEW 0.30Φ	10	SOLENOID	POLYESTER TAPE 0.025 / 10	2	3	3
W4	3		COPPER TAPE T = 0.05 , W = 5	1.1	OVER WRAP	POLYESTER TAPE 0.025 / 10	3	3	3
W5	8	9	UEW 0.40Φ	10	SOLENOID	POLYESTER TAPE 0.025 / 10	3	3	3
CORE FIXING TAPE						POLYESTER TAPE 0.025mm / W=10m	2		
OUTER WRAP INSULATION						POLYESTER TAPE 0.025 / 10	2		
FLUX BAND	6		COPPER TAPE T=0.05t , W=5mm	1.1		POLYESTER TAPE 0.025 / 10	2		

DRAWN BY	CHECK BY	APPR. BY	UNIT
			REV. NO
			DATE

# APPROVAL SHEET



DATE 2001. 09. 10.

PAGE 3 OF 15

CUSTOMER	KI SAN ELECTRONICS CO., LTD.		
PART NAME	SWITCHING TRANS	MODEL NO.	JA-1300H
PART NO.	JA-1300H	SAMPLE NO.	

## 4. ELECTRICAL CHARACTERISTICS

NO	ITEM	TERMINAL	SPEC	REMARK
4-1	INDUCTANCE	4 - 5	1.2 mH $\pm$ 10%	LCR METER AG 4304 HP-4274A at 1KHz 1V
4-2	LEAKAGE INDUCTANCE	4 - 5 ( SEC COIL ALL SHORT )	250.0 uH MAX	
4-3	DC RESISTANCE (20°C)	4 - 5	1.20 ohm MAX	WHEATSTONE BRIDGE HIOKI 3540 ( m $\Omega$ METER )
4-4	WITHSTANDING VOLTAGE	PRI. - SEC.	AC 3.0 KV RMS 1 MIN. CC=10mA	KIKUSUI TOS-5050 TOS-8750
		PRI. - CORE	AC 2.0 KV RMS 1 MIN. CC=10mA	
		SEC. - CORE	AC 0.6 KV RMS 1 MIN. CC=10mA	
4-5	INSULATION RESISTANCE	COIL - COIL COIL - CORE	100 Mohm MIN at DC 500V	MEGOHM METER (SM-5E)

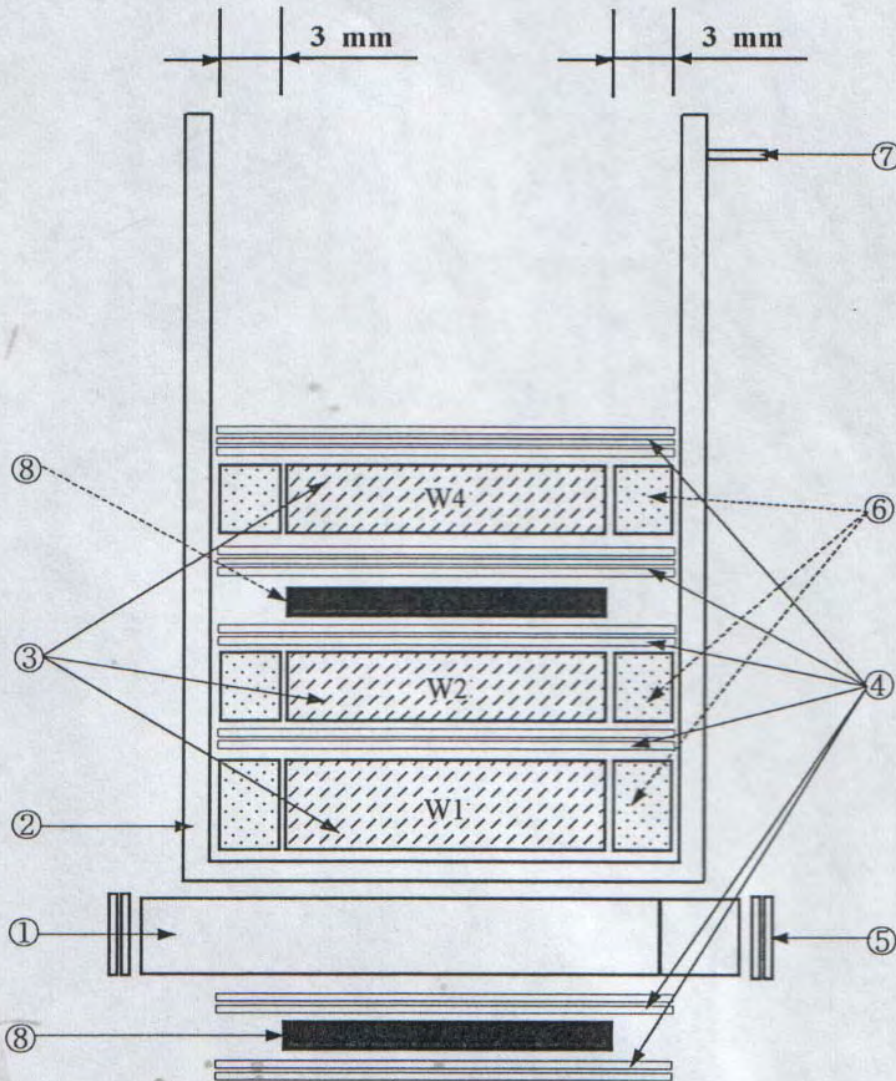
DRAWN BY	CHECK BY	APPR. BY	UNIT	
			REV. NO	
			DATE	

# APPROVAL SHEET

DATE 2001. 09. 10.  
PAGE 4 OF 15

CUSTOMER	KI SAN ELECTRONICS CO., LTD.		
PART NAME	SWITCHING TRANS	MODEL NO.	JA-1300H
PART NO.	JA-1300H	SAMPLE NO.	

## 5. CONSTRUCTION



- \* I CORE PIN SIDE
- \* CENTER AIR GAP

DRAWN BY	CHECK BY	APPR. BY	UNIT
			REV. NO
			DATE

# APPROVAL SHEET


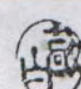
DATE 2001. 09. 10.

PAGE 5 OF 15

CUSTOMER	KI SAN ELECTRONICS CO., LTD.		
PART NAME	SWITCHING TRANS	MODEL NO.	JA-1300H
PART NO.	JA-1300H	SAMPLE NO.	

## 6. MATERIAL LIST

NO	ITEM	MATERIAL	MANUFACTURER	FILE NO.
1	CORE	FERRITE EI 2820 PL-3,5 OR PM-2,5 OR EQV	SAM HWA ELECTRONICS CO.,LTD. ISU CERAMICS CO.,LTD. OR EQV	
2	BOBBIN	EI 2820 V-TYPE, 10PIN PHENOL(UL94V-0) PF2736	BAKELITE GMBH.	E61040(M)
3	WIRE	POLYURETHANE ENAMELED COPPER WIRE UEW 0.30φ UEW 0.40φ	DONG YANG ELECTRONICS CO.,LTD. YOUNG WHA SA CO.,LTD. YU SEUNG ELECTRONICS CO., LTD.	E102761(S) E141925(S) E199194
4	INSULATION TAPE	POLYESTERS TAPE T = 0.025mm W = 10mm	DUCK SUNG TAPE CO., LTD.	E105147(S)
5	CORE FIXING TAPE	POLYESTERS TAPE T = 0.025mm W = 10mm	HYUN DAI CHEMICAL CO., LTD.	E162848(S)
6	BARRIER TAPE	ACETATE COMBI TAPE W = 3.0 mm P.N.W TAPE T = 0.25, 0.45mm W = 3.0 mm	TAE HWA INDUSTRIAL CO., LTD. KMP CHEMICAL CO., LTD.	E92677(S) E208997
7	PIN TERMINAL	SOLDER COATED COPPER	DAE-A LEAD CO.,LTD.	
8	FLUX BAND	COPPER TAPE T = 0.05t W = 5mm	POONG SAN METAL CO.,LTD.	
9	TUBE	TEFLON TUBE	DAIKIN INDUSTRIES LTD.	E52460(S)
10	VARNISH	DVB-2180T SR-337 , KH-337	DAEHAN PAINT & INK CO., LTD. SEGYE CHEMICAL CO.,LTD.	

DRAWN BY	CHECK BY	APPR. BY	UNIT	
			REV. NO	
			DATE	

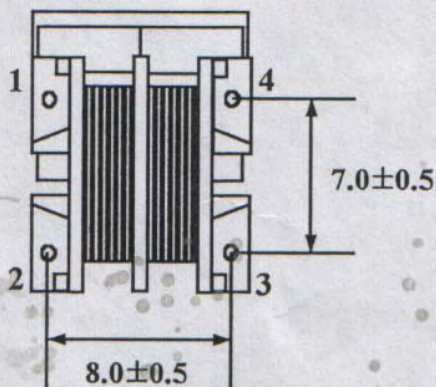
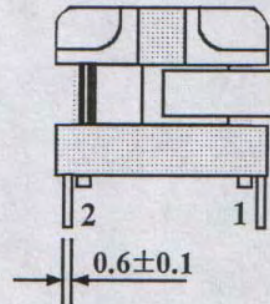
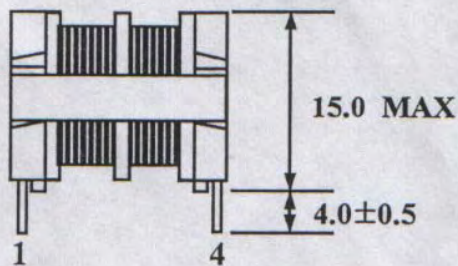
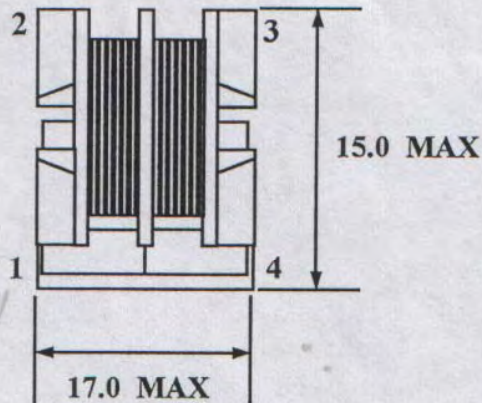
# APPROVAL SHEET

DATE	2001. 09. 10.
PAGE	6 OF 15



CUSTOMER	KI SAN ELECTRONICS CO., LTD.		
PART NAME	LINE FILTER	MODEL NO.	JA-1300H
PART NO.	45mH MIN	SAMPLE NO.	

## 1. DIMENSIONS (UNIT:mm)

( TOP VIEW )



( BOTTOM VIEW )

DRAWN BY	CHECK BY	APPR. BY	UNIT	
			REV. NO	
			DATE	

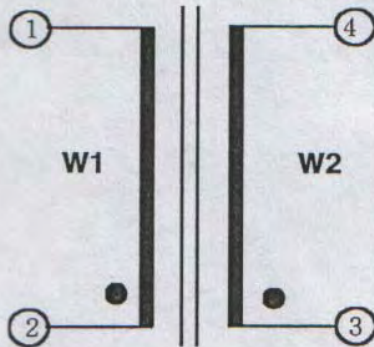
# APPROVAL SHEET

DATE 2001. 09. 10.

PAGE 7 OF 15

CUSTOMER	KI SAN ELECTRONICS CO., LTD.		
PART NAME	LLINE FILTER	MODEL NO.	JA-1300H
PART NO.	45mH MIN	SAMPLE NO.	

## 2. CONNECTION (BOTTOM VIEW)



REMOVED PIN #	
N.C PIN	
CUT PIN	

\*\* DOT MARK  
: START OF WINDING

## 3. WINDING SPECIFICATION

NO	TERMINAL		WIRE	Ts	WINDING METHOD	INSULATION	
	S	F				MATERIAL	Ts
W1	2	1	UEW 0.13Φ	<del>220</del> (Ref)	SOLENOID		
W2	3	4	UEW 0.13Φ	<del>220</del> (Ref)	SOLENOID		

## 4. ELECTRICAL CHARACTERISTICS

NO	ITEM	TERMINAL	SPEC	REMARK	
4-1	INDUCTANCE	W1 (2 - 1)	<del>45.0</del> mH MIN 22	ANDO : AG 4304 HP-4274A at 1KHz, 1V	
		W2 (3 - 4)	<del>45.0</del> mH MIN 22		
4-2	DIFFERENCE INDUCTANCE	( W1-W2 )	50 uH MAX		
4-3	DC RESISTANCE (20℃)	W1 (2 - 1)	0.60 ohm MAX		WHEATSTONE BRIDGE HIOKI 3540 ( mΩ METER )
		W2 (3 - 4)	0.60 ohm MAX		
4-4	WITHSTANDING VOLTAGE	COIL - COIL	AC 1.0 KV RMS 1 MIN CC=3mA		KIKUSUI TOS-5050 TOS-8750
		COIL - CORE	AC 1.0 KV RMS 1 MIN CC=3mA		
4-5	INSULATION RESISTANCE	COIL - COIL COIL - CORE	100 Mohm MIN at DC 500V	MEGOHM METER (SM-5E)	
4-6	LAYER-DIELECTRIC STRENGTH	AC 1.4KV, 50 Hz or 60 Hz			

DRAWN BY	CHECK BY	APPR. BY	UNIT
			REV. NO
			DATE





# APPROVAL SHEET

DATE 2001. 09. 10.  
PAGE 8 OF 15

CUSTOMER	KI SAN ELECTRONICS CO., LTD.		
PART NAME	LINE FILTER	MODEL NO.	JA-1300H
PART NO.	45mH MIN	SAMPLE NO.	

## 5. MATERIAL LIST

NO	ITEM	MATERIAL	MANUFACTURER	FILE NO.
1	CORE	FERRITE UU 1014 GP-9,HM-3 OR Eqv.	SAM HWA ELECTRONICS CO.,LTD. ISU CERAMICS CO.,LTD. OR Eqv.	
2	BOBBIN	PHENOL, 94V-0 (PF 2736) UU1014 "H" TYPE , 4 PIN	BAKELITE GMBH. OR Eqv.	E61040(M)
3	WIRE	POLYURETHANE ENAMELED COPPER WIRE UEW 0.13φ	DONG YANG ELECTRONICS CO.,LTD. YOUNG WHA SA CO.,LTD. YU SEUNG ELECTRONICS CO., LTD.	E102761(S) E141925(S) E199194
4	PIN TERMINAL	SOLDER COATED COPPER	DAE-A LEAD CO.,LTD.	
5	CLIP	STAINLESS STEEL	PO HANG IRON & STEEL CO.,LTD.	
6	VARNISH	DVB-2180	DAEHAN PAINT & INK CO., LTD.	

DRAWN BY	CHECK BY	APPR. BY	UNIT	
			REV. NO	
			DATE	

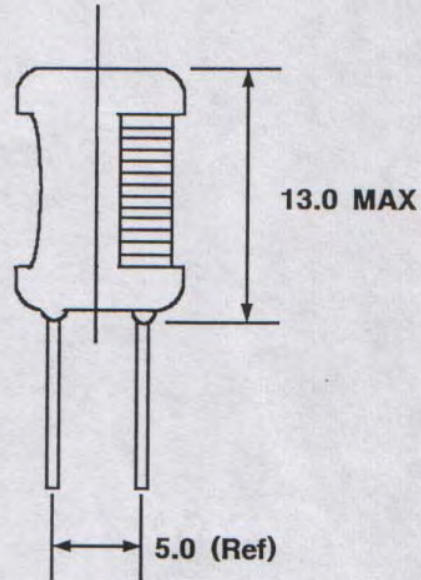
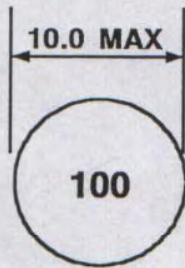
# APPROVAL SHEET

DATE 2001. 09. 10.

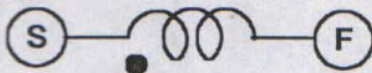
PAGE 9 OF 15

CUSTOMER	KI SAN ELECTRONICS CO., LTD.		
PART NAME	INDUCTOR COIL	MODEL NO.	JA-1300H
PART NO.	10 uH	SAMPLE NO.	

1. DIMENSIONS (UNIT:mm)



2. CONNECTION (BOTTOM VIEW)



3. WINDING SPECIFICATION

NO	TERMINAL		WIRE	Ts	WINDING METHOD	INSULATION	
	S	F				MATERIAL	Ts
W1	S	F	UEW 0.45φ	18.5(Ref)			

4. ELECTRICAL CHARACTERISTICS

NO	ITEM	TERMINAL	SPECIFICATION	REMARK
4-1	INDUCTANCE	S - F	10 uH ± 20%	ANDO : AG 4304 HP-4274A at 1KHz, 1V
4-2	DC RESISTANCE (20°C)	S - F	0.15 ohm MAX	WHEATSTONE BRIDGE HIOKI 3540 ( mΩ METER )

DRAWN BY	CHECK BY	APPR. BY	UNIT
			REV. NO
			DATE

# APPROVAL SHEET



DATE 2001. 09. 10.

PAGE 10 OF 15

CUSTOMER	KI SAN ELECTRONICS CO., LTD.		
PART NAME	INDUCTOR COIL	MODEL NO.	JA-1300H
PART NO.	10 uH	SAMPLE NO.	

## 5. MATERIAL LIST

NO	ITEM	MATERIAL	MANUFACTURER	FILE NO.
1	CORE	FERRITE DR 6.5×7.5 , YT-03	YU LIM ELECTRONICS CO., LTD. OR Eqv.	
2	WIRE	POLYURETHANE ENAMELED COPPER WIRE UEW 0.45φ	DONG YANG ELECTRONICS CO.,LTD. YOUNG WHA SA CO.,LTD. YU SEUNG ELECTRONICS CO., LTD.	E102761(S) E141925(S) E199194
3	PIN TERMIAL	SOLDER COATED COPPER	DAE-A LEAD CO.,LTD.	
4	ADHESIVE	DP-402NH(GREEN COLOR)	DAE-JU CHEMICAL CO.,LTD.	

DRAWN BY	CHECK BY	APPR. BY	UNIT	
			REV. NO	
			DATE	