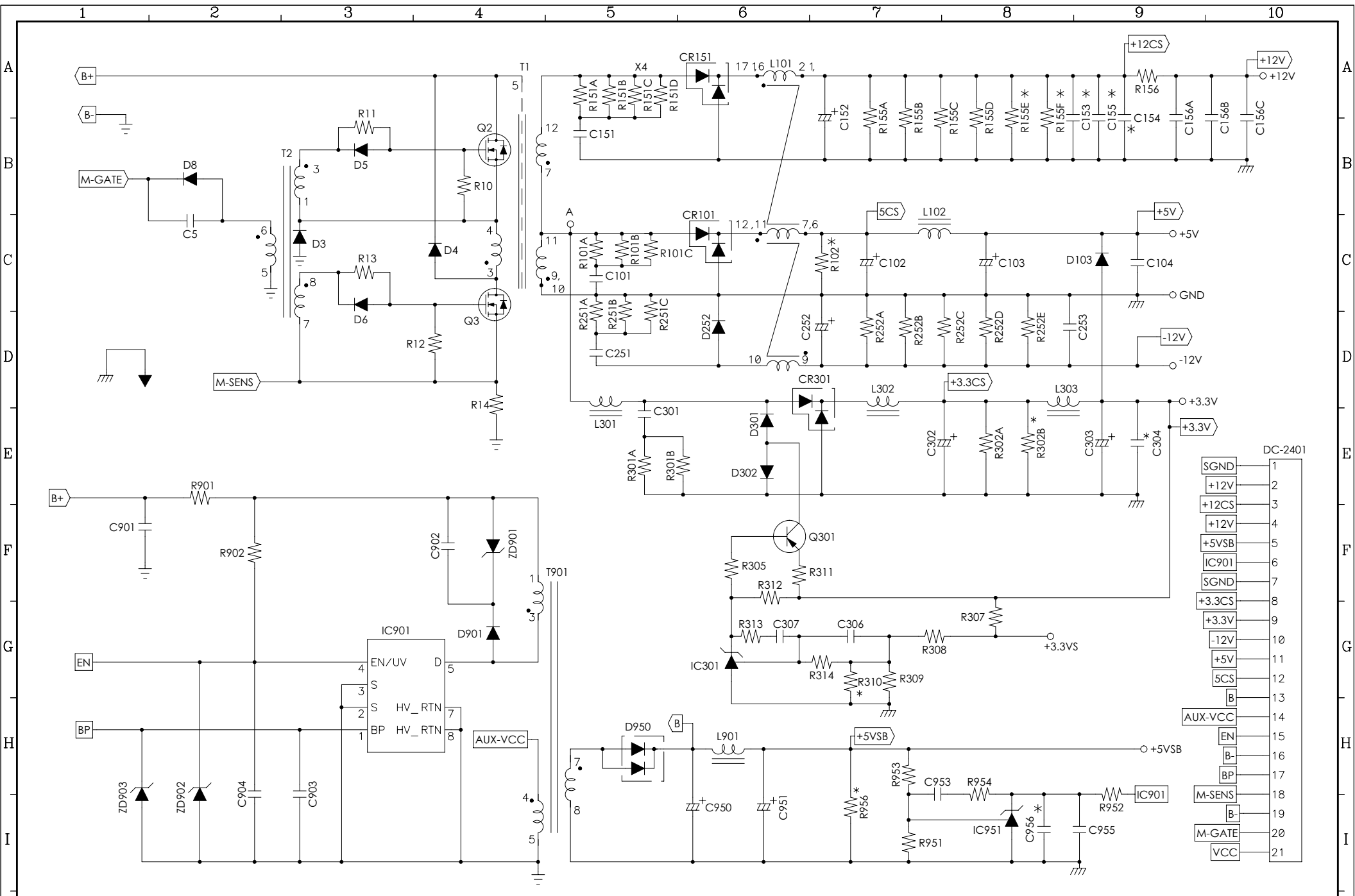


Date: 04/16/07	LY.REV: 6	Drawn: CINDY	Checked	Approved	PART NO.	REV.	SHEET
PWB:	FILE NAME: D250AP24\$R6						
DESCRIPTION: SCHEMATIC OF SWITCHING POWER SUPPLY							

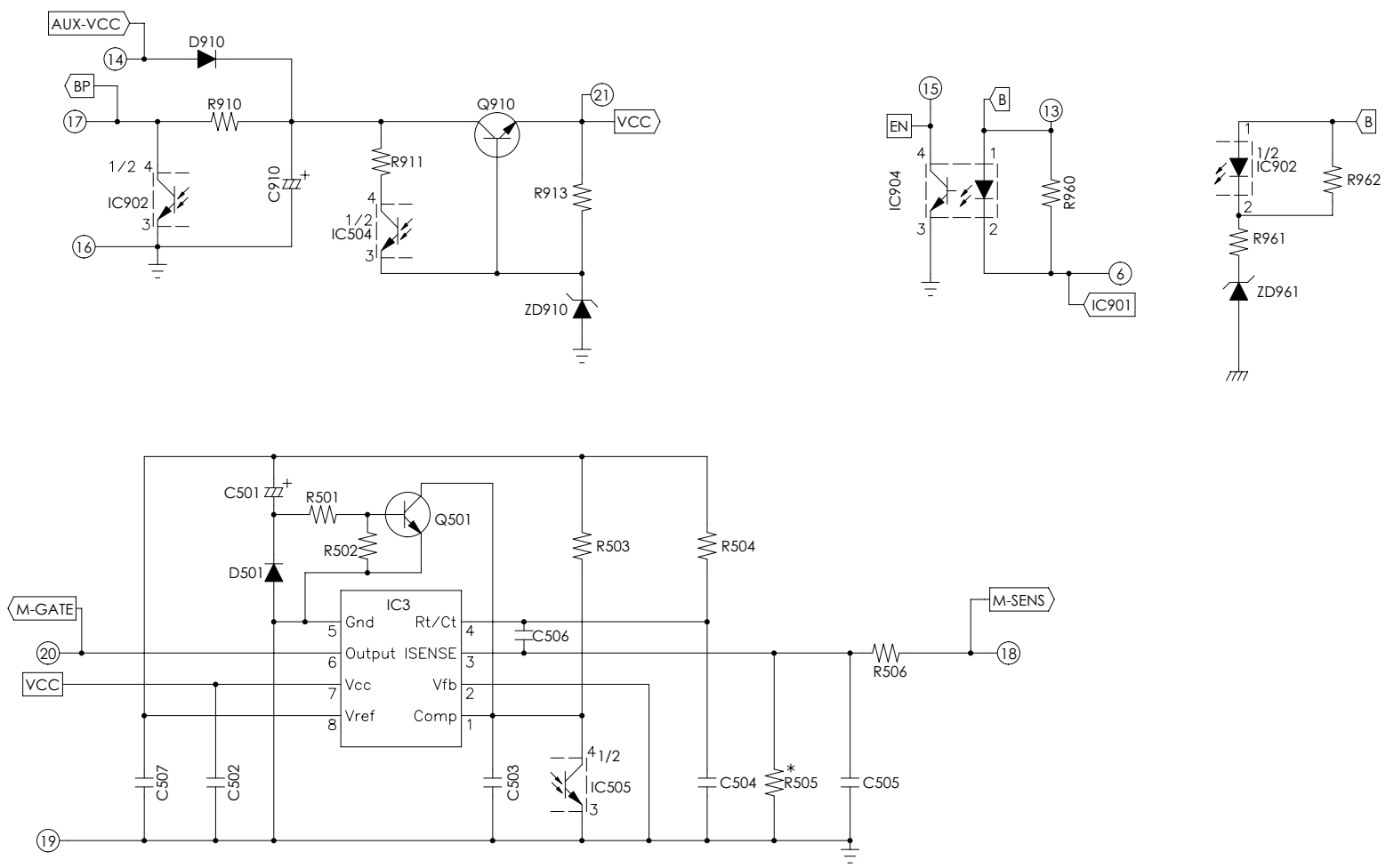


DC-2401

SGND	1
+12V	2
+12CS	3
+12V	4
+5VSB	5
IC901	6
SGND	7
+3.3CS	8
+3.3V	9
-12V	10
+5V	11
5CS	12
B	13
AUX-VCC	14
EN	15
B	16
BP	17
M-SENS	18
B	19
M-GATE	20
VCC	21

Date: 04/16/07'	LY.REV: 6	Drawn: CINDY	Checked	Approved	PART NO.	REV.	SHEET
PWB:	FILE NAME: D250AP24\$R6				DPS-250AB-24 A		OF 04
DESCRIPTION: SCHEMATIC OF SWITCHING POWER SUPPLY							

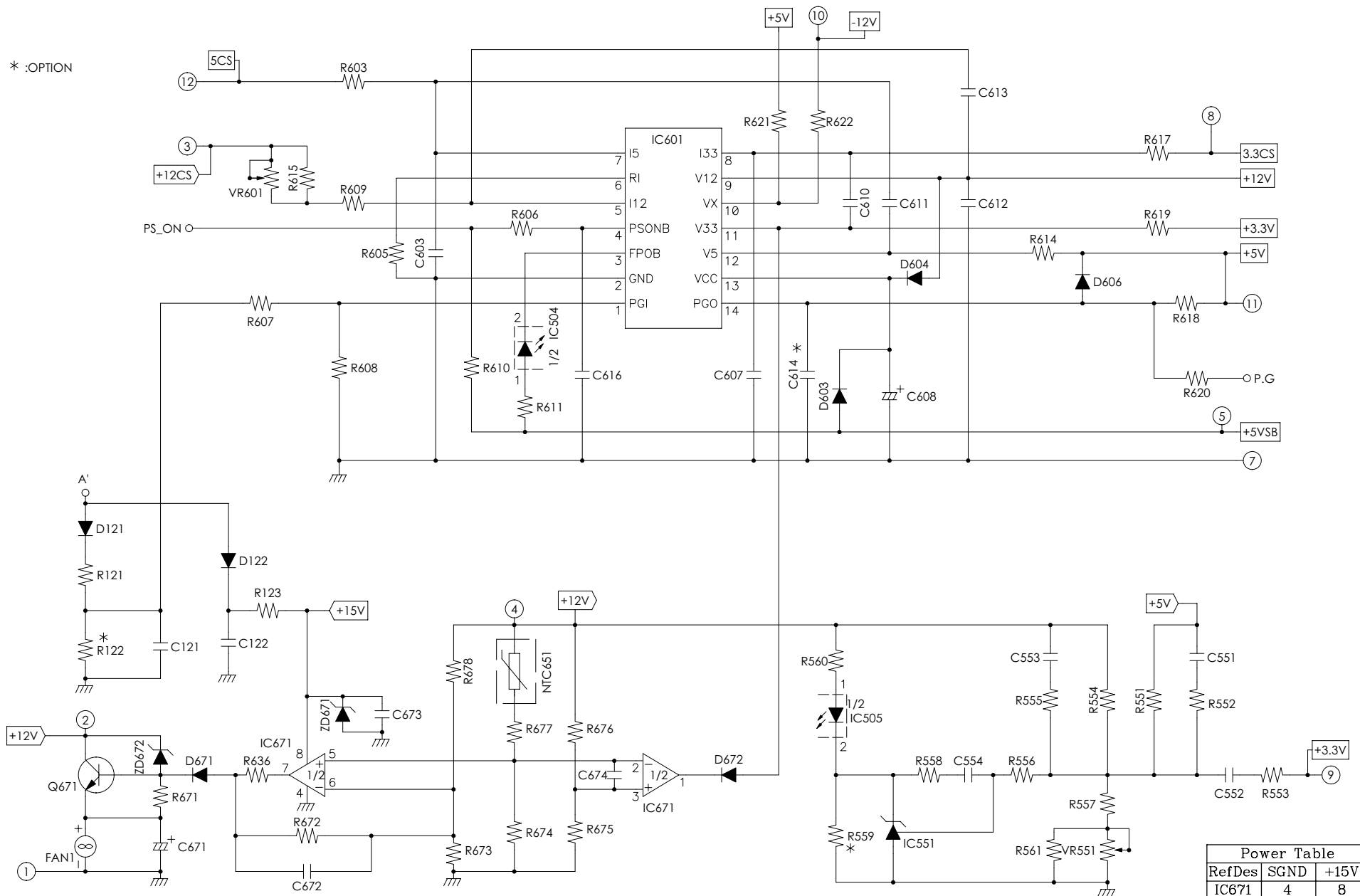
AND SHALL NOT BE REPRODUCED OR USED AS THE BASIS FOR THE MANUFACTURE OR
SELL OF APPARATUSES OR DEVICES WITHOUT PERMISSION.



Date: 04/16/07'	LY.REV: 6	Drawn: CINDY	Checked	Approved	PART NO.	REV.	SHEET
PWB:	FILE NAME: DC2401R6				DPS-250AB-24 A		OF 04
DESCRIPTION: SCHEMATIC OF SWITCHING POWER SUPPLY							

AND SHALL NOT BE REPRODUCED OR USED AS THE BASIS FOR THE MANUFACTURE OR SELL OF APPARATUSES OR DEVICES WITHOUT PERMISSION.

* :OPTION



Power Table		
RefDes	SGND	+15V
IC671	4	8

Date: 04/16/07	LY.REV: 6	Drawn: CINDY	Checked	Approved	PART NO.	REV.	SHEET
PWB:	FILE NAME: DC2401R6				DPS-250AB-24 A		04 OF 04
DESCRIPTION: SCHEMATIC OF SWITCHING POWER SUPPLY							

AND SHALL NOT BE REPRODUCED OR USED AS THE BASIS FOR THE MANUFACTURE OR SELL OF APPARATUSES OR DEVICES WITHOUT PERMISSION.