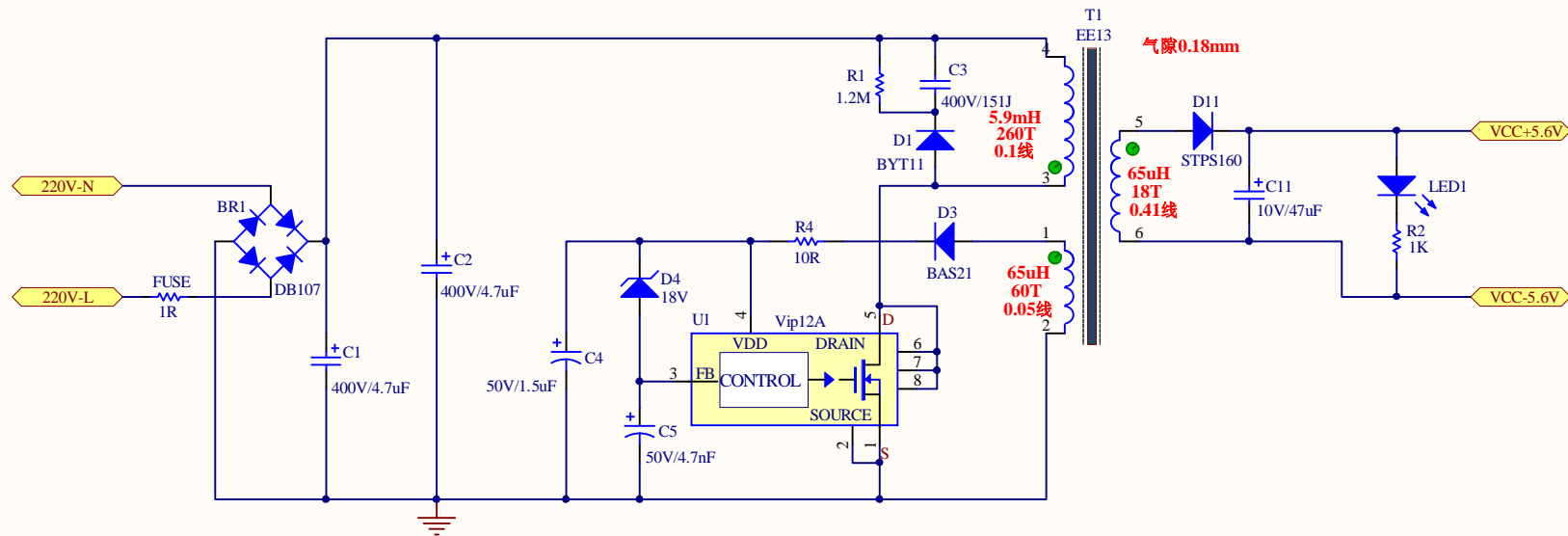


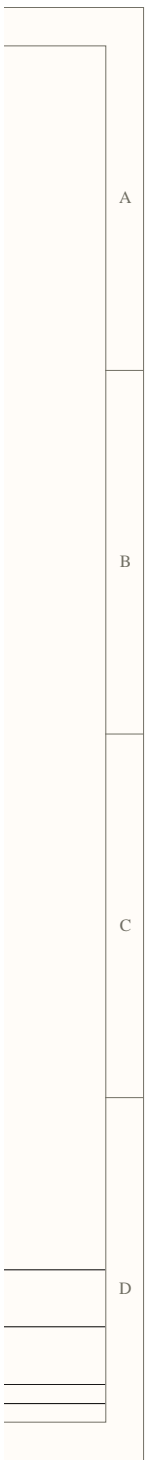
5V 0.65A开关电源原理图



Design: Feng Bao Yu

Date: 2011/2/18

Title		
Size	Number	Revision
A4		
Date:	2011-3-15	Sheet of
File:	F:\威达斯设计资料\.\VIP12A充电器.Sch	Drawn By:



A

B

C

D