

DESCRIPTION

PT5611 is a dimming ballast controller, which is available to implement closed loop feedback control of the lamp power. PT5611 has external programmable features, such as preheat time and preheat current. All of these provide a great degree of flexibility for the ballast design engineers. With different connections, PT5611 has the dimming ability with potentiometer or remote controller. And the PT5611 is available in both 16-pin DIP and 16-pin SOP package.

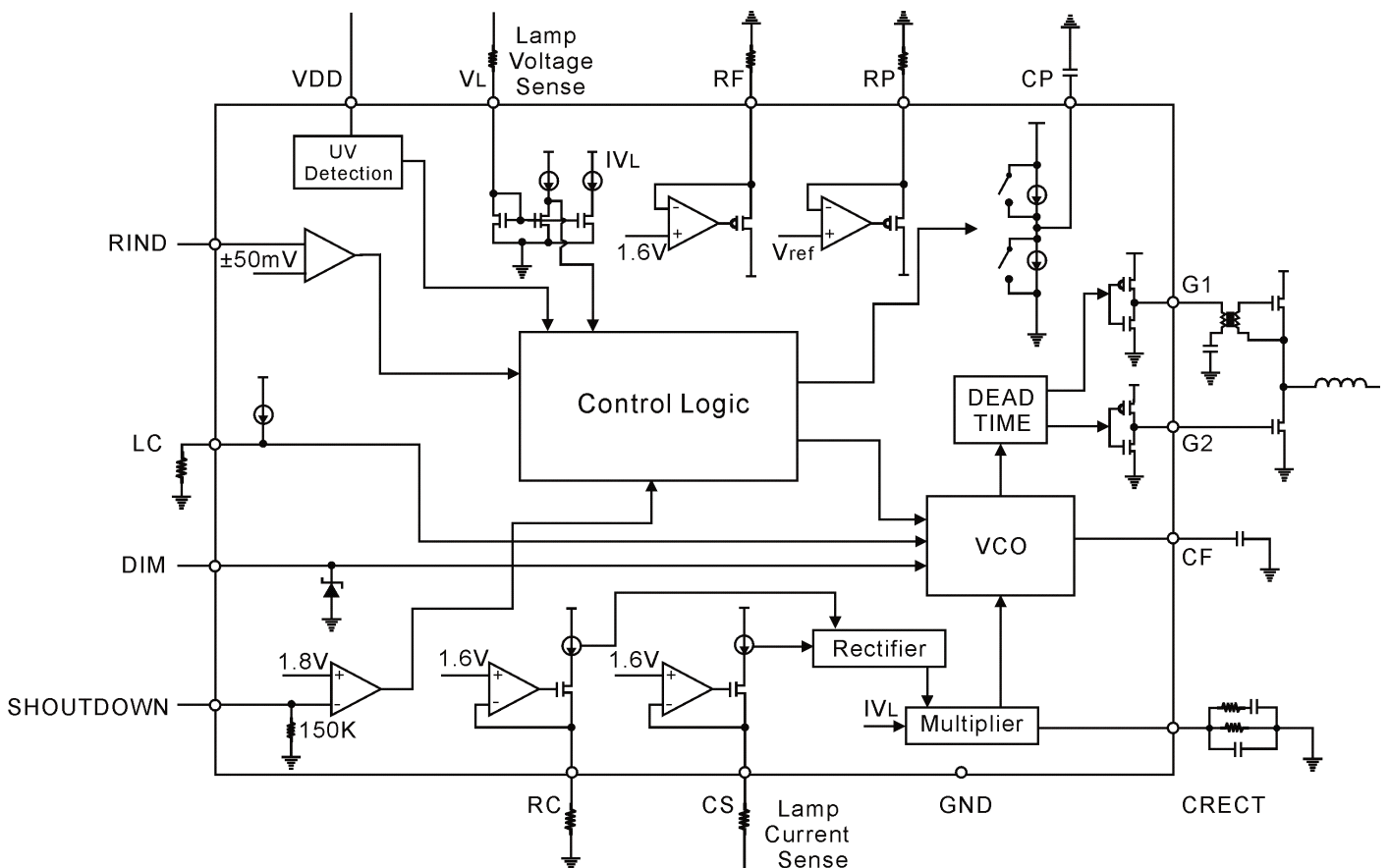
FEATURES

- Dimming range: 8%~100%
- Provides capacitive mode protection of half-bridge inverter
- Over-voltage protection and thermal protection
- Programmable preheat time and preheat current (Frequency)
- Pin SHUTDOWN can be controlled by MCU
- Closed-loop lamp power control
- Minimum dimming control

APPLICATIONS

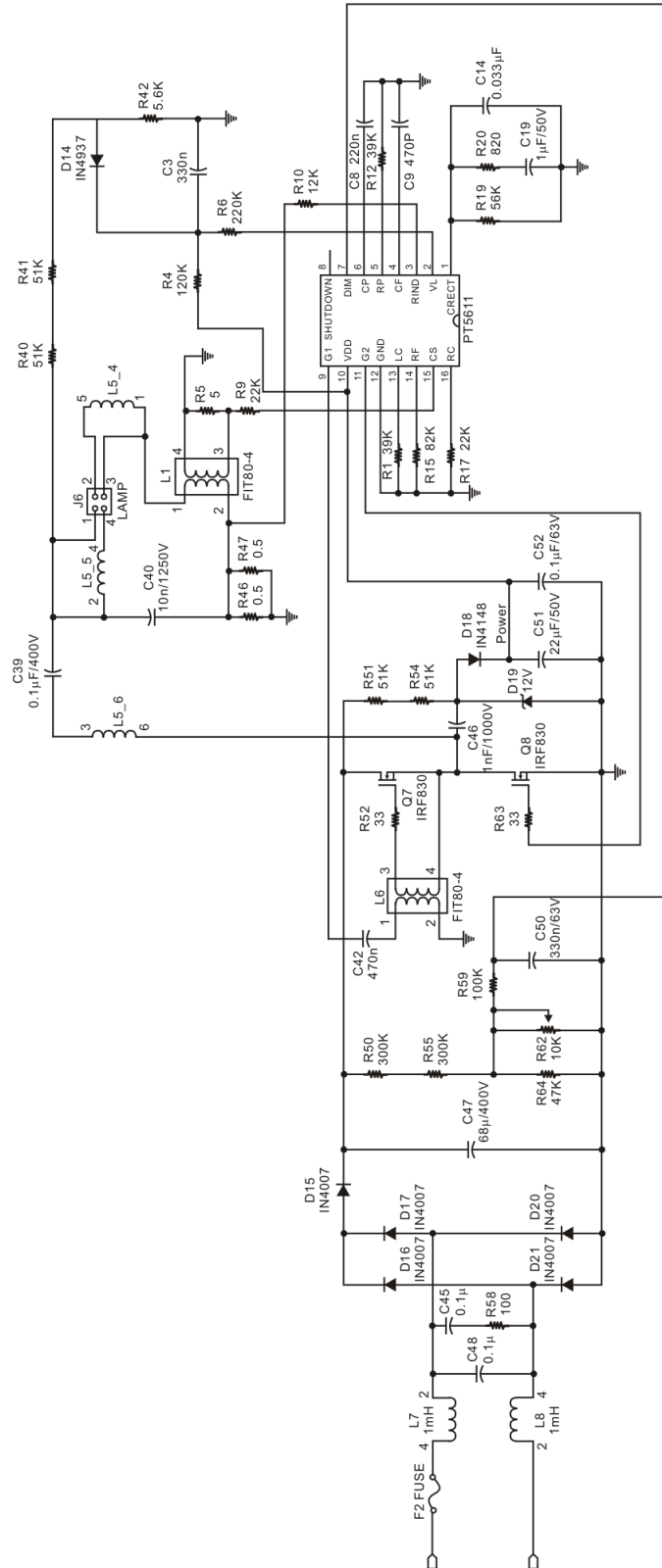
- All types of fluorescent lamps
- Potentiometer & remote dimmer

BLOCK DIAGRAM



TYPICAL APPLICATION CIRCUIT

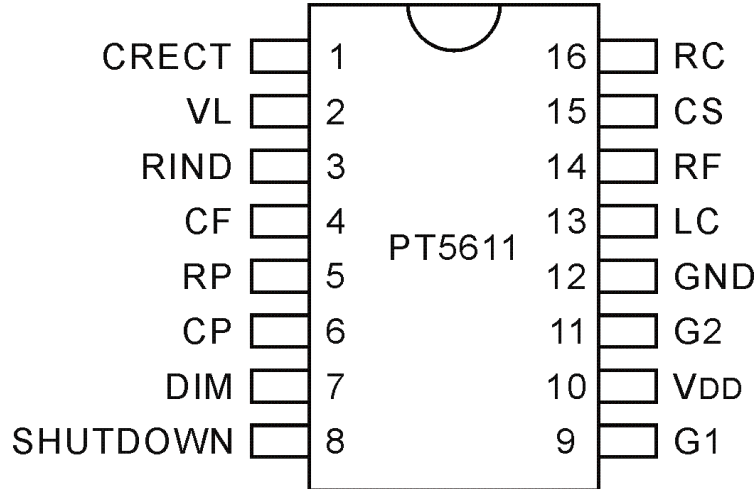
220V/70W/T6



ORDER INFORMATION

Valid part Number	Package Type	Top Code
PT5611-D	16 Pins, DIP, 300 MIL	PT5611-D
PT5611-S	16 Pins, SOP, 150MIL	PT5611-S

PIN CONFIGURATION



IMPORTANT NOTICE

Princeton Technology Corporation (PTC) reserves the right to make corrections, modifications, enhancements, improvements, and other changes to its products and to discontinue any product without notice at any time.

PTC cannot assume responsibility for use of any circuitry other than circuitry entirely embodied in a PTC product. No circuit patent licenses are implied.

Princeton Technology Corp.
2F, 233-1, Baociao Road,
Sindian, Taipei 23145, Taiwan
Tel: 886-2-66296288
Fax: 886-2-29174598
<http://www.princeton.com.tw>