

PAM2301

800mA Step-Down DC-DC Converters

Features

- Efficiency up to 96%
- Only 40µA (TYP.) Quiescent Current
- Output Current: Up to 800mA
- Internal Synchronous Rectifier
- 1.5MHz Switching Frequency
- Soft Start
- Under-Voltage Lockout
- Short Circuit Protection
- Thermal Shutdown
- 5-pin Small SOT23-5 Package
- Pb-Free Package

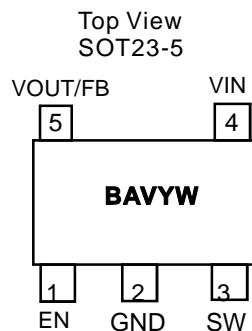
Applications

- Cellular Phone
- Portable Electronics
- Wireless Devices
- Cordless Phone
- Computer Peripherals
- Battery Powered Widgets
- Electronic Scales
- Digital Frame

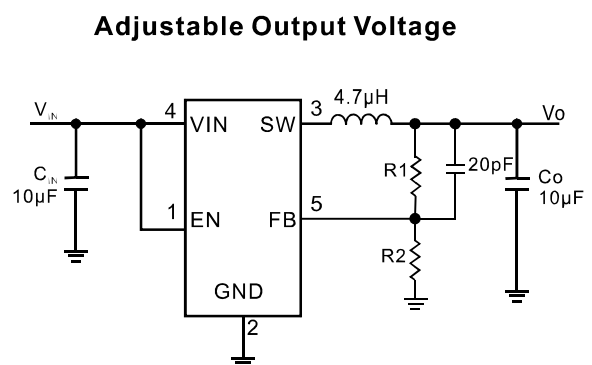
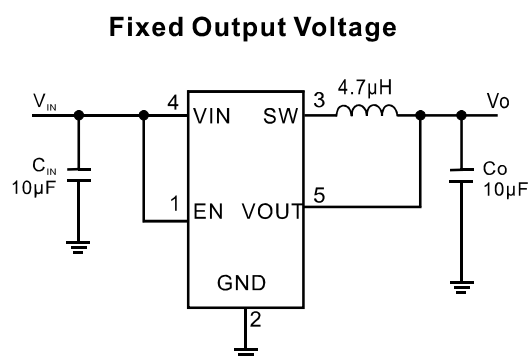
Ordering Information

Please refer to datasheet for multi-choice of voltages.

Pin Configuration



Typical Application Circuit



$$V_o = 0.6 \times \left(1 + \frac{R1}{R2} \right)$$