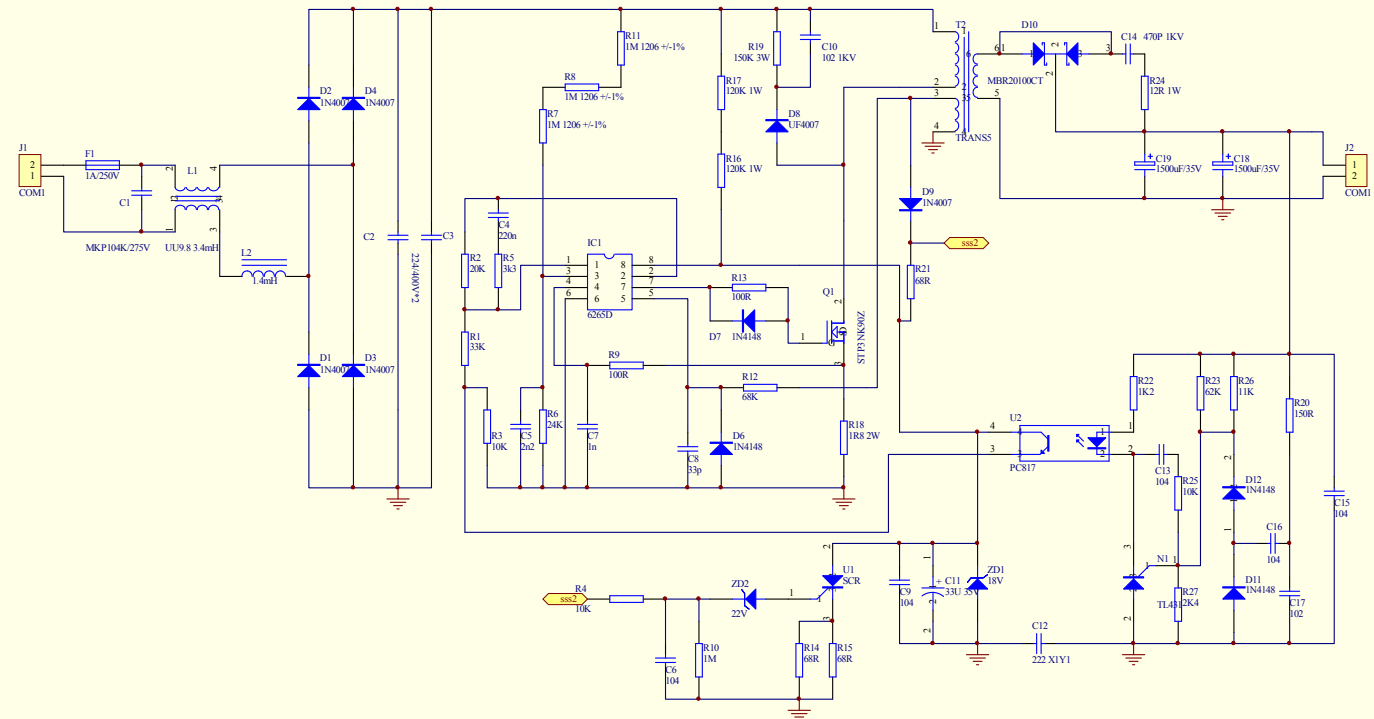


30W 12V Driver Sch



Title		
Size	Number	Revision
A3		
Date:	7-Apr-2011	Sheet of
File:	F:\30W\Driver Sch\F30W Power.Dds	Drawn By: