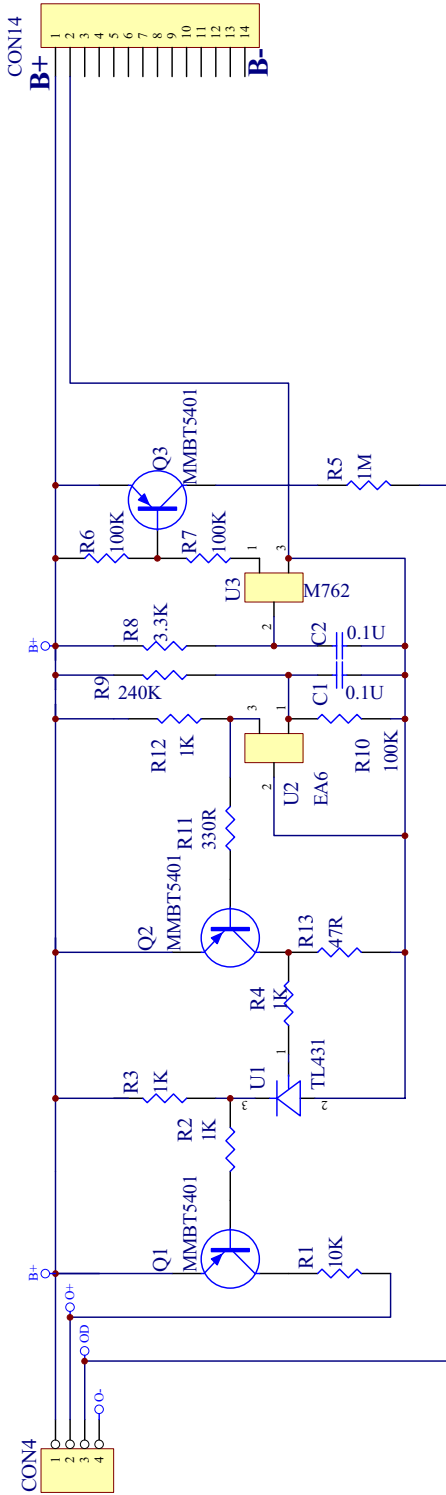


# 1S OF 10S



Title	
Size	Number
A4	<b>36V-B</b>
Date:	14 Jun 2011
File:	松茂山資料/作/US产品资料/RD00206/1S OF 10S
Sheet of	4
Revision	