

6

5

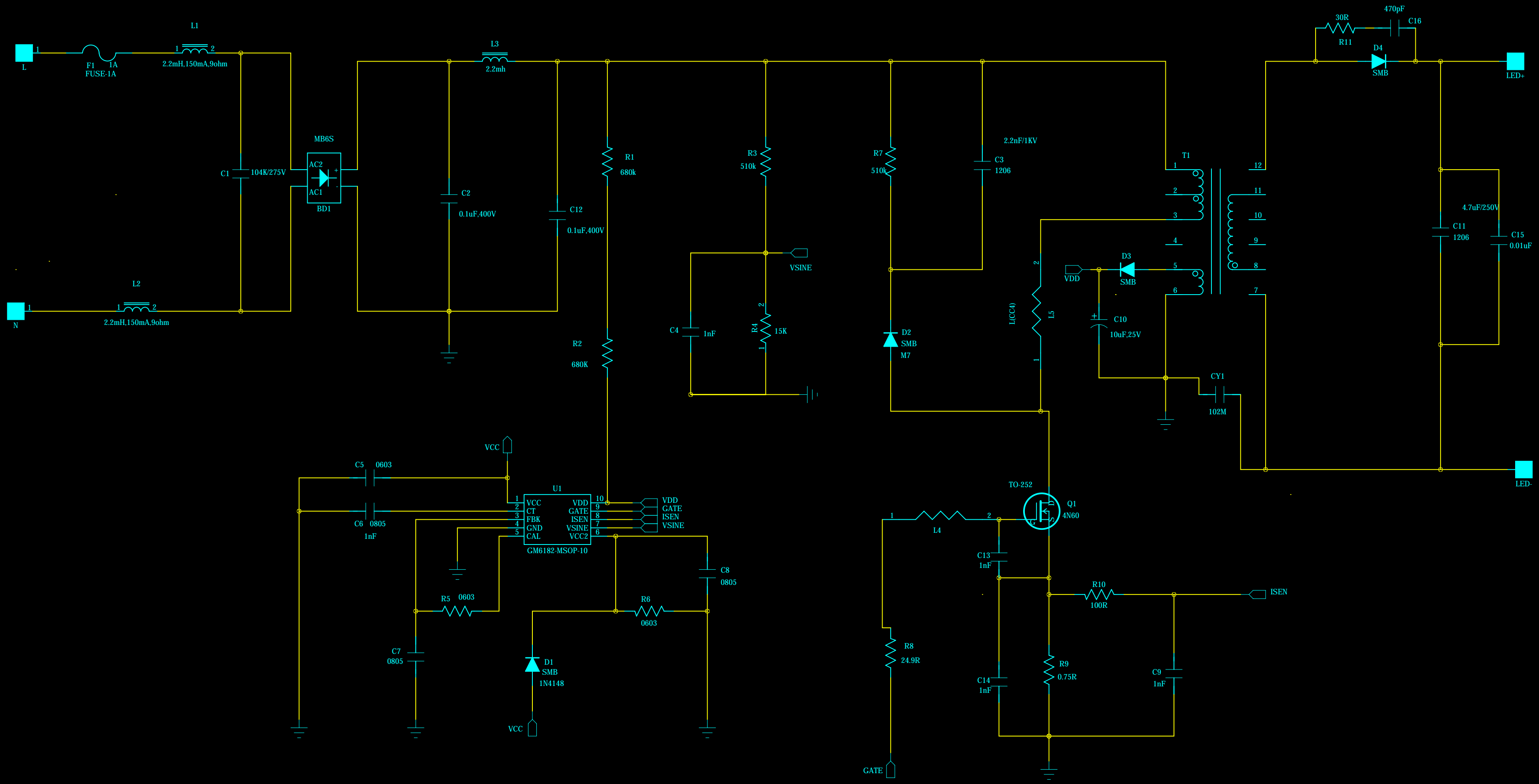
4

3

2

1

REVISION RECORD			
LTR	ECO NO.	APPROVED:	DATE:



COMPANY:			
Sokomon Systech(Shenzhen) Limited			
TITLE:			
GM6182-V0			
CODE:	SIZE:	DRAWING NO:	REV:
SCALE:	SHEET: OF		

DRAWN:	Frank Li	DATED:	Jan 13,2011
CHECKED:		DATED:	
QUALITY CONTROL:		DATED:	
RELEASED:		DATED:	

D
C
B
A

D
C
B
A