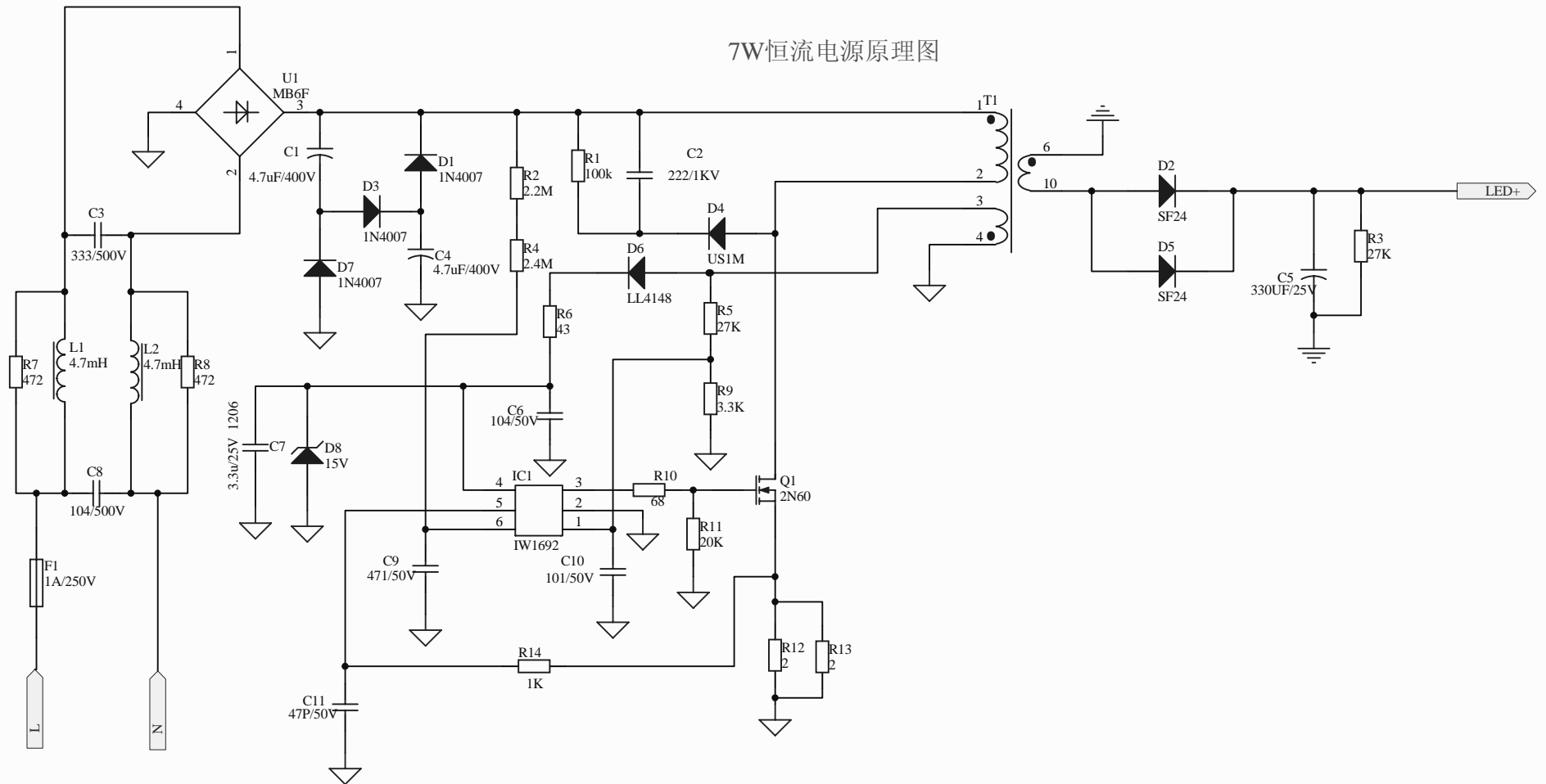


### 7W恒流电源原理图



Title		
Size A4	Number	Revision
Date: 2011-8-3	Sheet of	
File: D:\My Documents\...\7W恒流电源.SCHDOC	Drawn By:	