

凱鈺科技股份有限公司
TM Technology, Inc.

文件名稱： T8602 Demo board Test Report			
Customer:		Model No :	F0003
FAE:	Eric Lin	DATE:	2011-01-07

文件等級 一般級 機密級 極機密

Electronic Specification

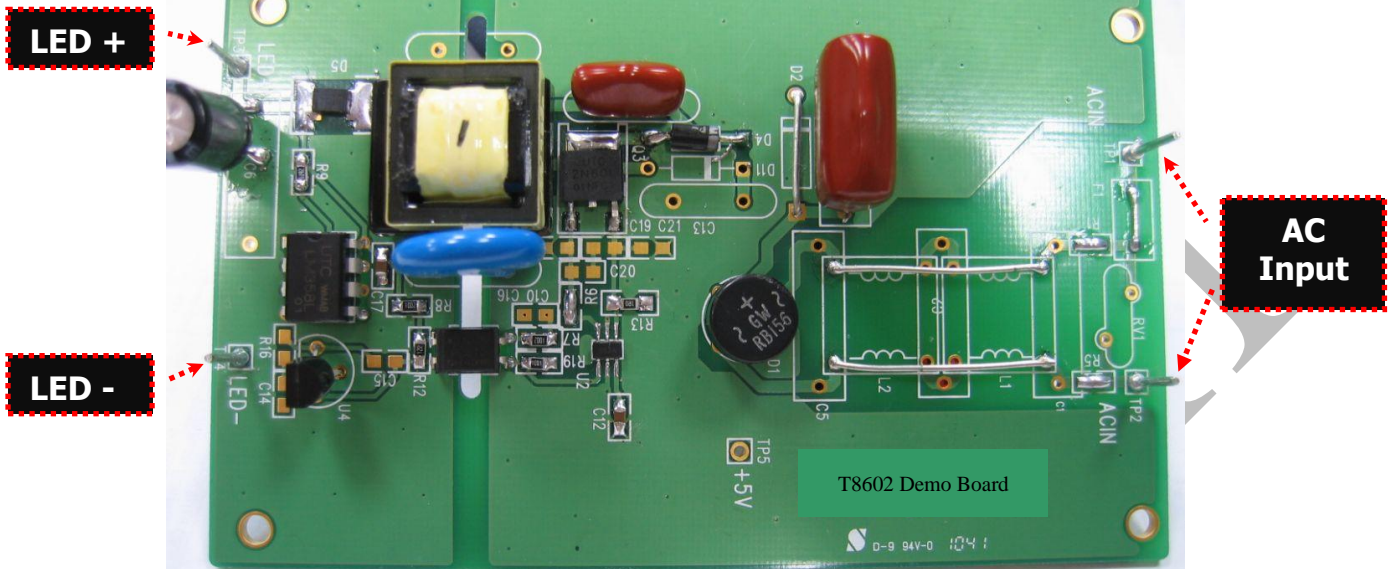
Item	Requiring		
	Min	Typ	Max
Iput	90Vac	---	260Vac
Output	21V / 350mA	---	28V / 350mA

Measuring instrument

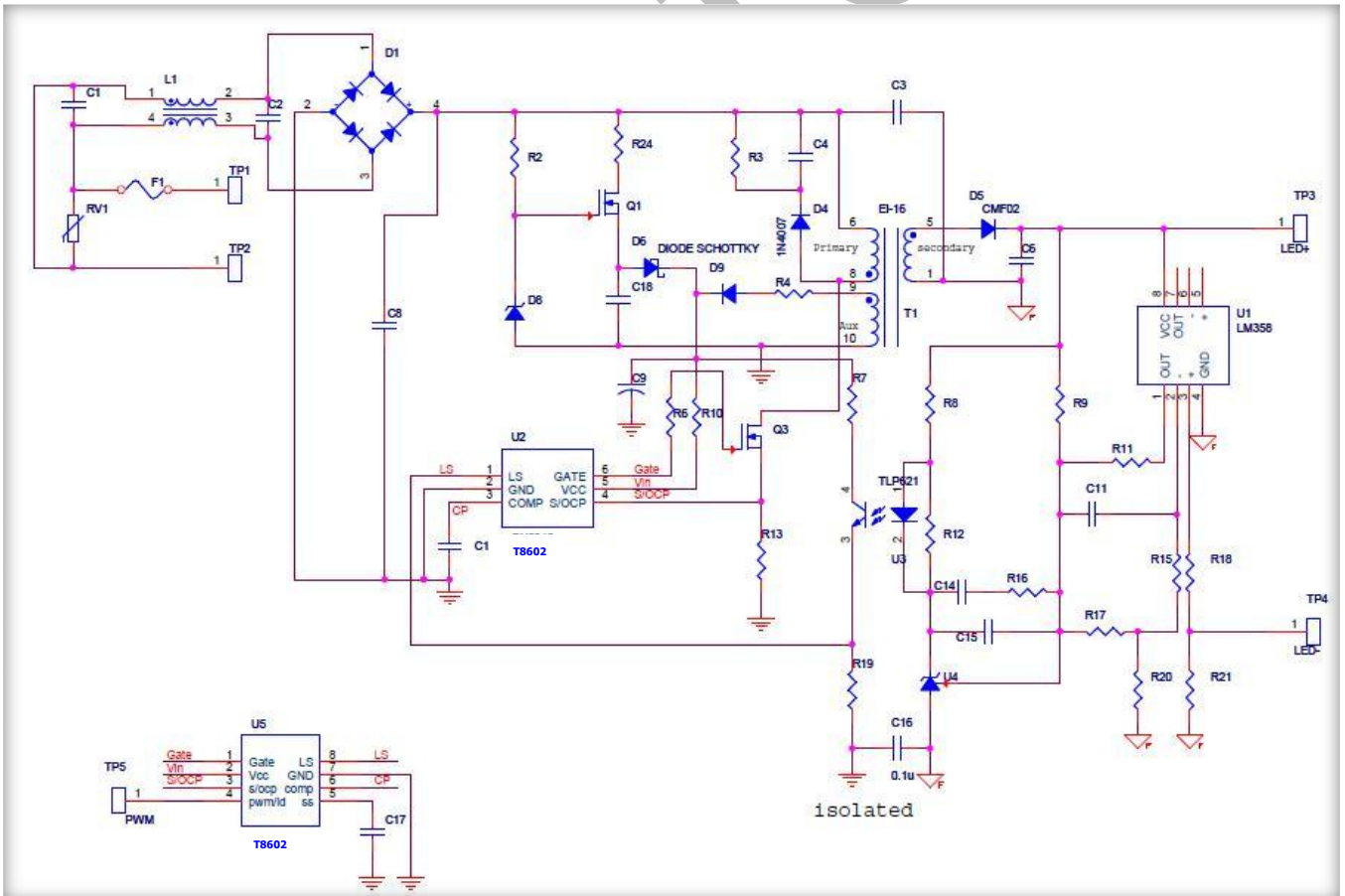
Item	Model
AC Power Source	6700
Meter	FLUKE 115
Oscilloscope	Tektronix
LOAD	LED String; 6S1P~8S1P (LED spec:3.5V / 350mA)

Module Profile

Top layer



Schematic



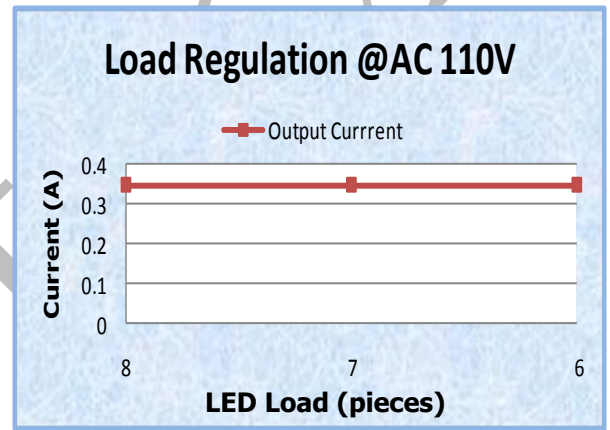
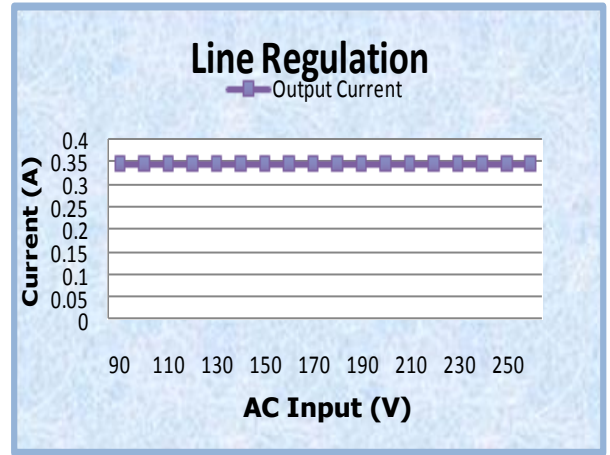
BOM List

No.	Symbol	Name	Type / Number	Specification	Package / Size	Unit
1	D1	AC Bridge	BR156	800V / 1.5A	DIP	1
2	D4	DIODE	1N4007	1000V / 1A	DIP	1
3	D5	SCHOTTKY DIODE	1N4007	1000V / 1A	DO-214A	1
4	D6	SCHOTTKY DIODE	S310	100V / 3A	DO-214A	1
5	D9	SCHOTTKY DIODE	S310	100V / 3A	DO-214A	1
6	D8	ZENER DIODE	15V	15V	0805	1
7	U1	Amplifiers	LM358		DIP	1
8	U2	DRIVER IC	T8602	13.8V~16.8V	SOT23-6	1
9	U3		PC817		DIP	1
10	U4	Regulator	TL431		DIP	1
11	R2	Chip Resistor		73KΩ±5%	0603	1
12	R3	Chip Resistor		100KΩ±5%	0603	1
13	R4	Chip Resistor		80.6Ω±5%	0603	1
14	R6	Chip Resistor		0Ω±5%	0603	1
15	R7	Chip Resistor		10KΩ±5%	0603	1
16	R8	Chip Resistor		10KΩ±5%	0603	1
17	R9	Chip Resistor		62KΩ±5%	0603	1
18	R10	Chip Resistor		0Ω±5%	0603	1
19	R11	Chip Resistor		5.6KΩ±5%	0603	1
20	R12	Chip Resistor		1KΩ±5%	0603	1
21	R13	Chip Resistor		1Ω±5%	0603	1
22	R15	Chip Resistor		4.7KΩ±5%	0603	1
23	R17	Chip Resistor		30KΩ±5%	0603	1
24	R18	Chip Resistor		4.7KΩ±5%	0603	1
25	R19	Chip Resistor		1KΩ±5%	0603	1
26	R20	Chip Resistor		1.3KΩ±5%	0603	1
27	R21	Chip Resistor		0.3Ω±1%	1206	1
28	C4	Capacitor		0.033uF / 630V	DIP	1
29	C6	Electrolytic Capacitor		560uF / 50V	DIP	1
30	C8	Capacitor		0.1uF / 630V	DIP	1
31	C9	Multilayer Ceramic Capacitor		1uF / 16V	0805	1
32	C11	Multilayer Ceramic Capacitor		1uF / 16V	0805	1
33	C12	Multilayer Ceramic Capacitor		0.1uF / 16V	0805	1
34	C16	Multilayer Ceramic Capacitor		0.1uF / 16V	0805	1
35	C18	Multilayer Ceramic Capacitor		1uF / 50V	0805	1
36	C23	Multilayer Ceramic Capacitor		0.1uF / 16V	0805	1
37	Q3	MOSFET	02N60	650V / 3A / RDSon 3Ω @ 10VGS	TO-252	1
38	T1	Transformer	EE16		DIP	1

Performance

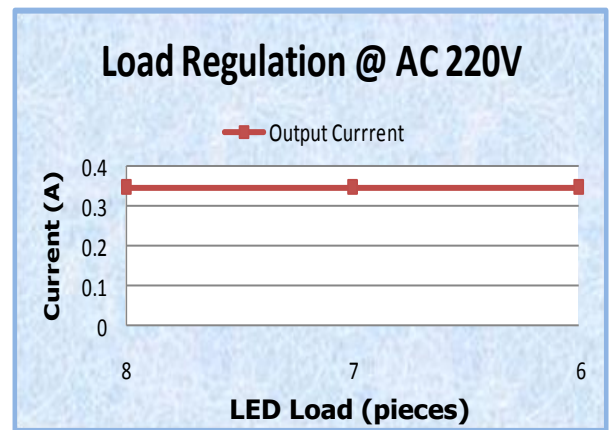
Line Regulation

ACInput		Output			
(Vac)	Input W	Vf	Current	PF	Efficiency
90	10.85	25.7	0.352	0.99	83.38
100	10.5	25.7	0.352	0.99	86.16
110	10.3	25.68	0.351	0.99	87.51
120	10.18	25.67	0.352	0.99	88.76
130	10.13	25.66	0.351	0.99	88.91
140	10.2	25.66	0.351	0.99	88.30
150	10.2	25.65	0.351	0.99	88.27
160	10.3	25.65	0.351	0.99	87.41
170	10.3	25.65	0.351	0.98	87.41
180	10.3	25.64	0.352	0.98	87.62
190	10.3	25.63	0.352	0.98	87.59
200	10.3	25.62	0.352	0.98	87.56
210	10.3	25.62	0.351	0.97	87.31
220	10.4	25.61	0.352	0.97	86.68
230	10.4	25.61	0.352	0.97	86.68
240	10.5	25.61	0.351	0.96	85.61
250	10.5	25.6	0.352	0.96	85.82
265	10.7	25.6	0.352	0.96	84.22



Load Regulation

ACInput		Output				
(Vac)	watt	Inpur W	Vf	Current	PF	Efficiency
110	8	10.3	25.62	0.351	0.99	87.31
	7	9	22.43	0.352	0.99	87.73
	6	7.7	19.25	0.352	0.99	88.00



Load Regulation

ACInput		Output				
(Vac)	watt	Inpur W	Vf	Current	PF	Efficiency
220	8	10.5	25.75	0.351	0.97	86.08
	7	9.4	22.51	0.351	0.97	84.05
	6	8.1	19.3	0.352	0.95	83.87

Waveform

