

6

5

4

3

2

1

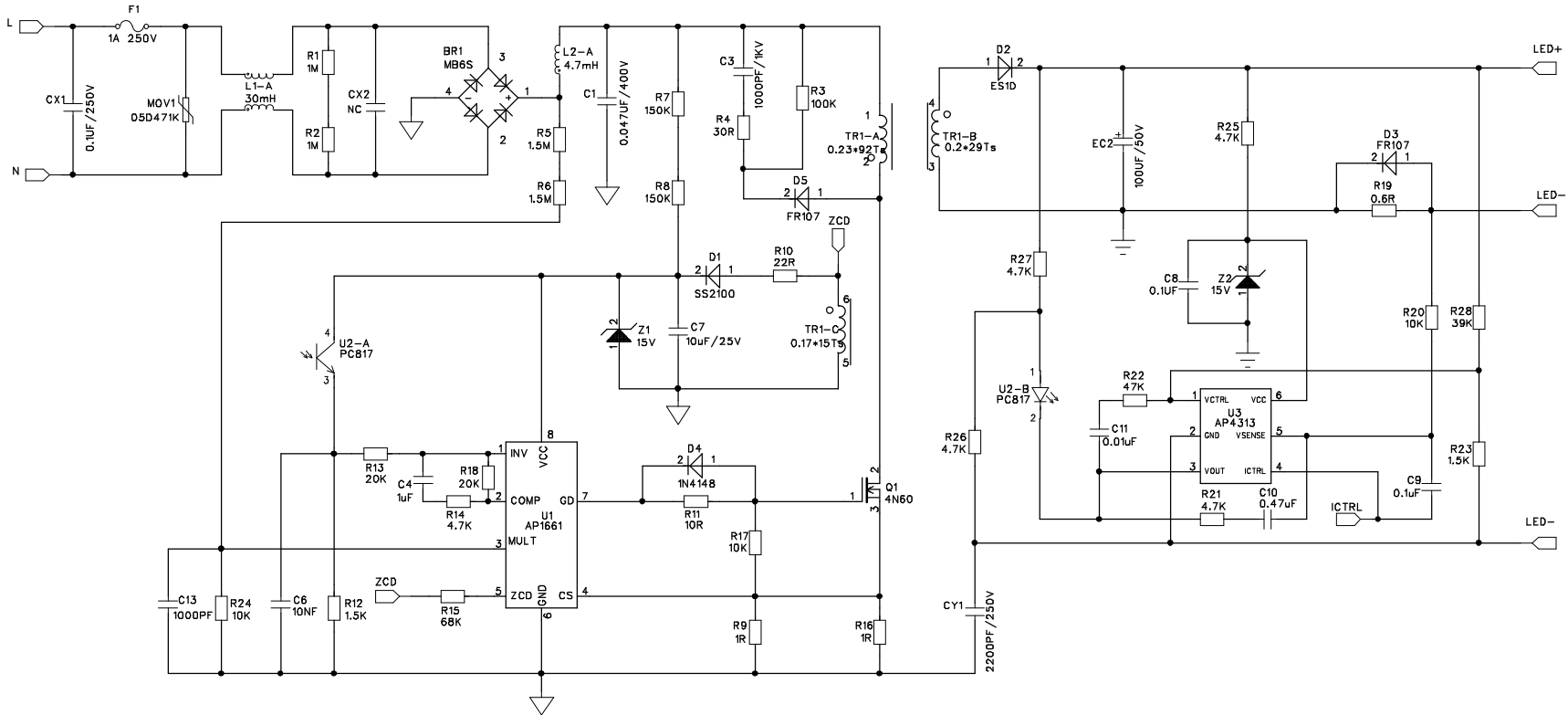
D

C

B

A

REVISION RECORD			
LTR	ECO NO:	APPROVED:	DATE:



COMPANY: <b>BCD Semiconductor</b>			
TITLE: <b>AP1661+4313 DEMO</b>			
CODE:	SIZE:	DRAWING NO:	REV: <b>1.0</b>
SCALE:	SHEET: OF		

DRAWN: <b>Star Gong</b>	DATED: 11/29/2010
CHECKED:	DATED:
QUALITY CONTROL:	DATED:
RELEASED:	DATED: