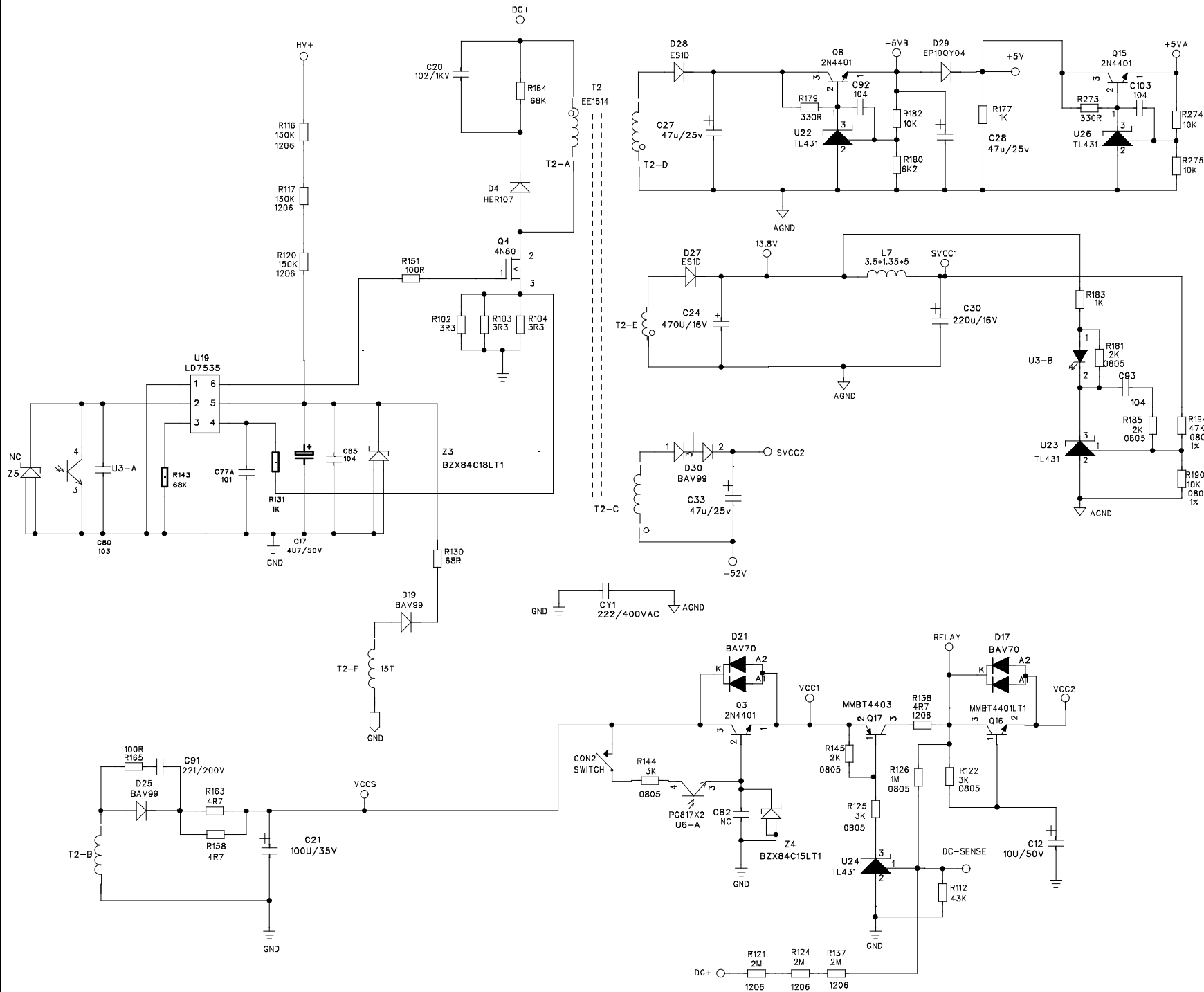
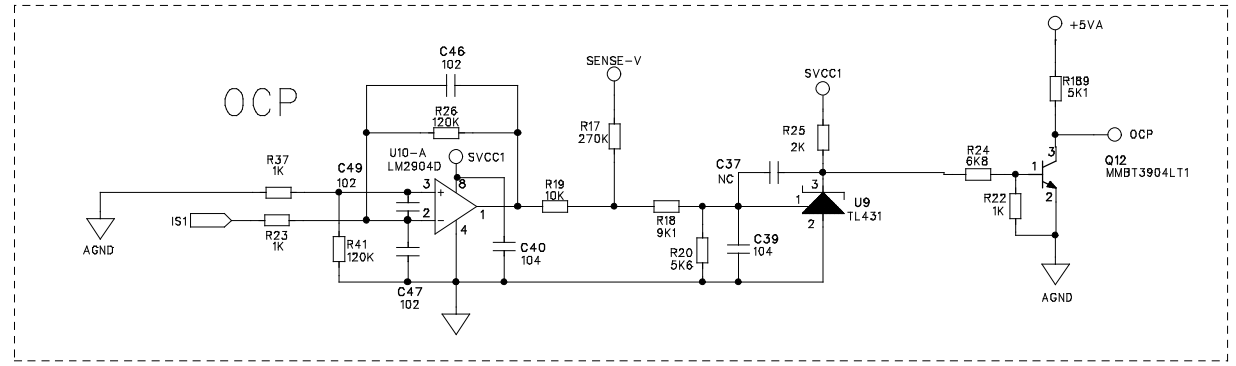
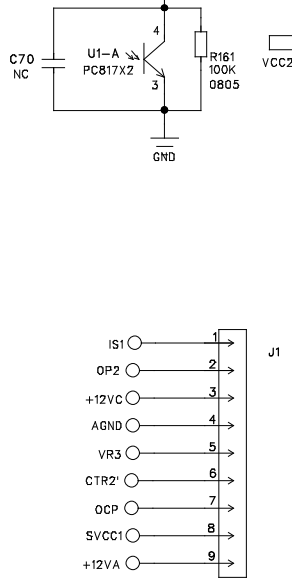
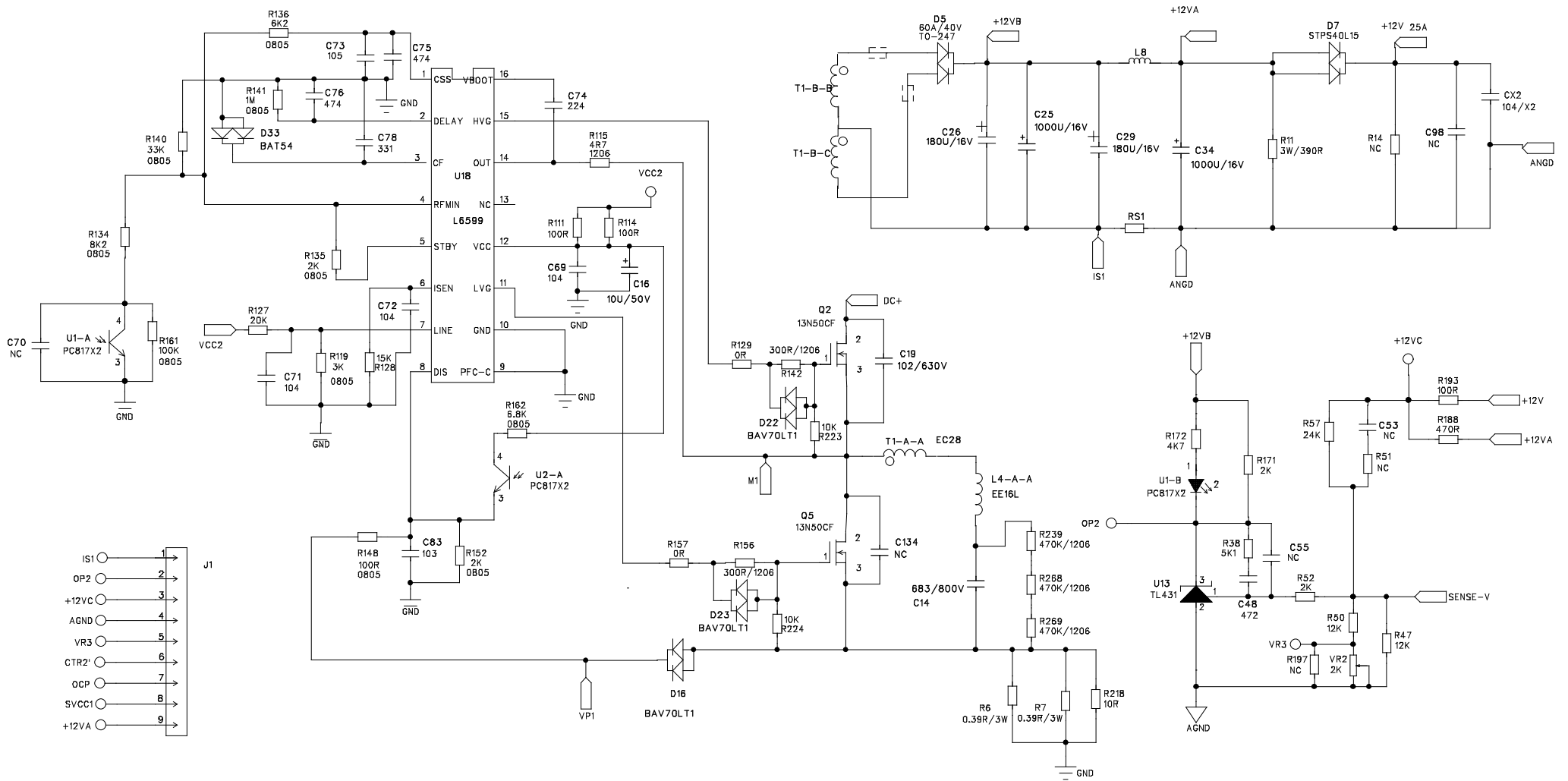


FILE N
RELEA
DESIGN
CHECK
APPRO
SHEET



SUB SUPPLY

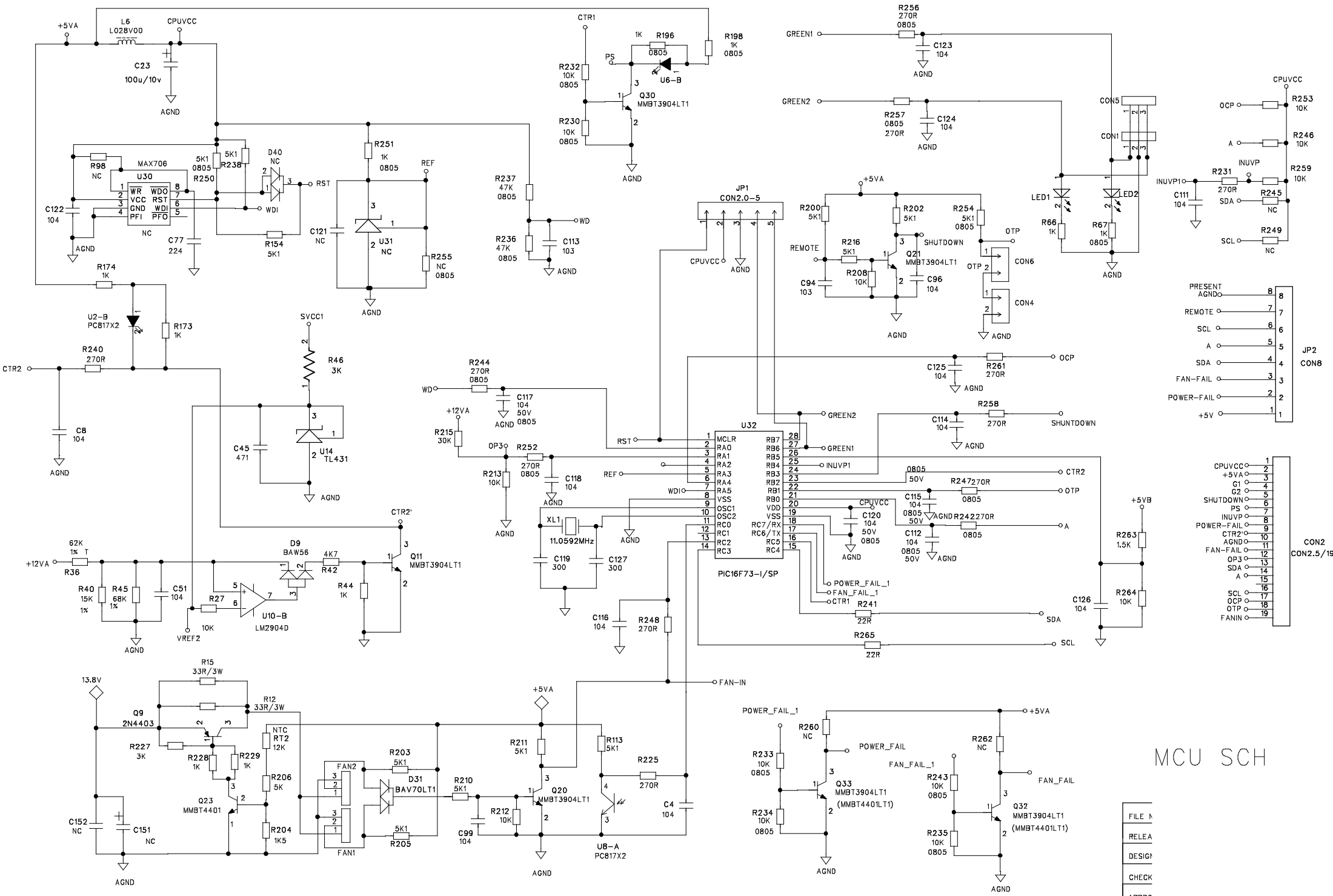
FILE N
RELEA
DESIGN
CHECK
APPRO
SHEET



12V-SCH

FILE NAME
RELEASED:
DESIGNED:
CHECKED:
APPROVED
SHEET 3





# MCU SCH

FILE N
RELEA
DESIGN
CHECK
APPRO
SHEET