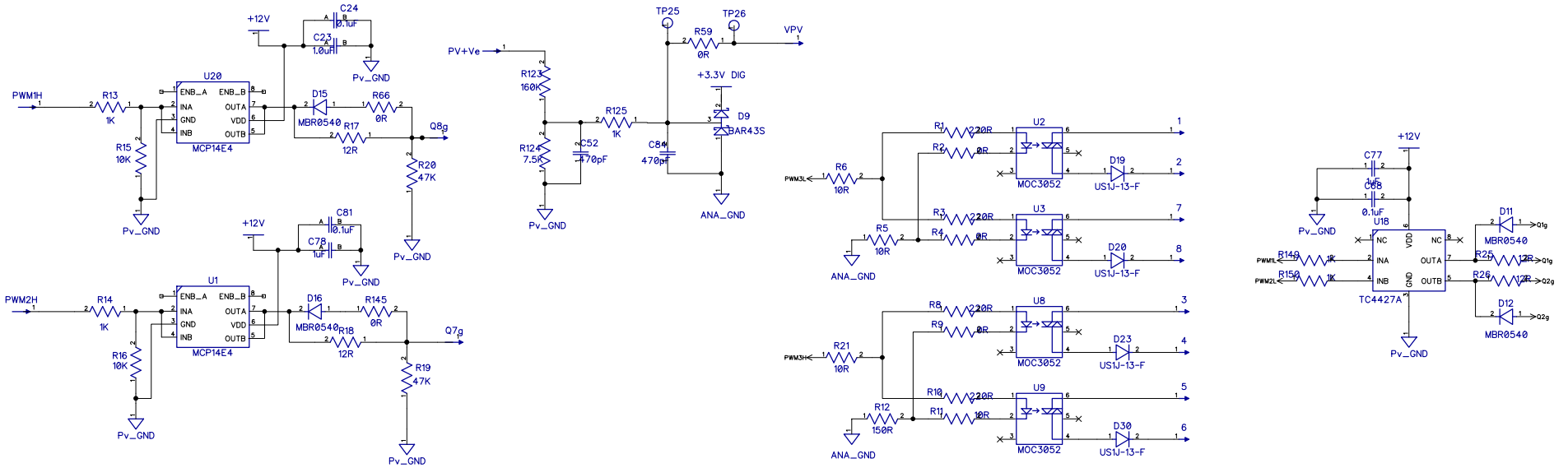
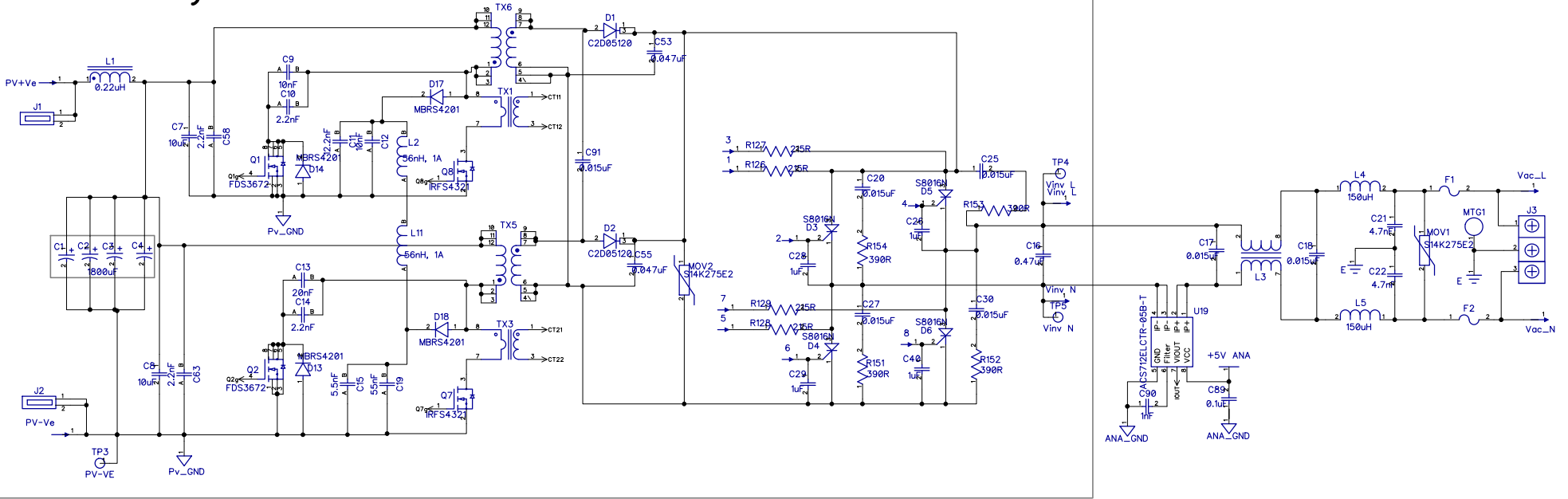
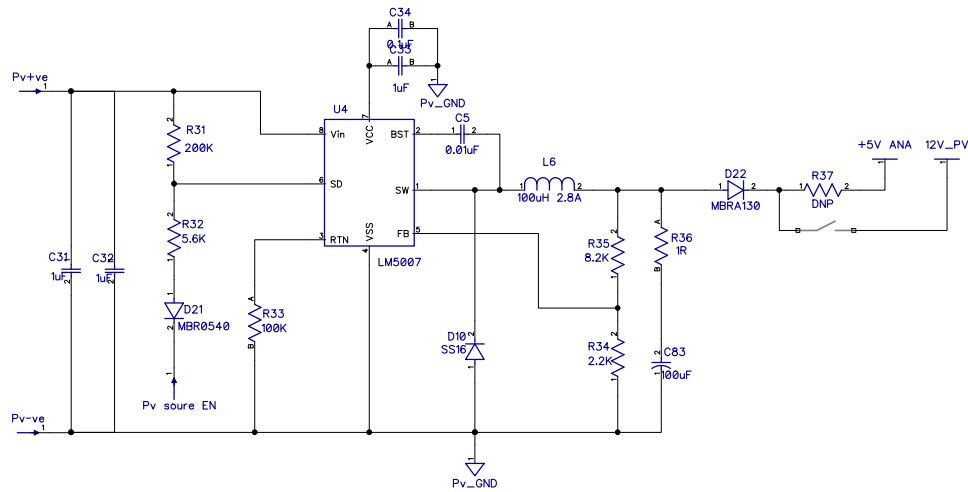


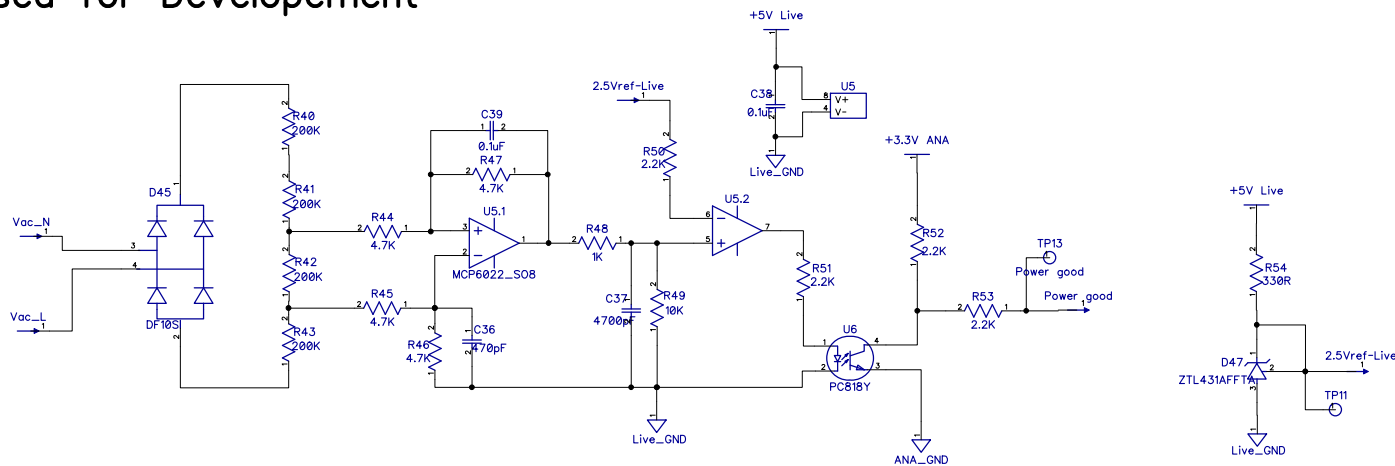
Interleaved Flyback Inverter



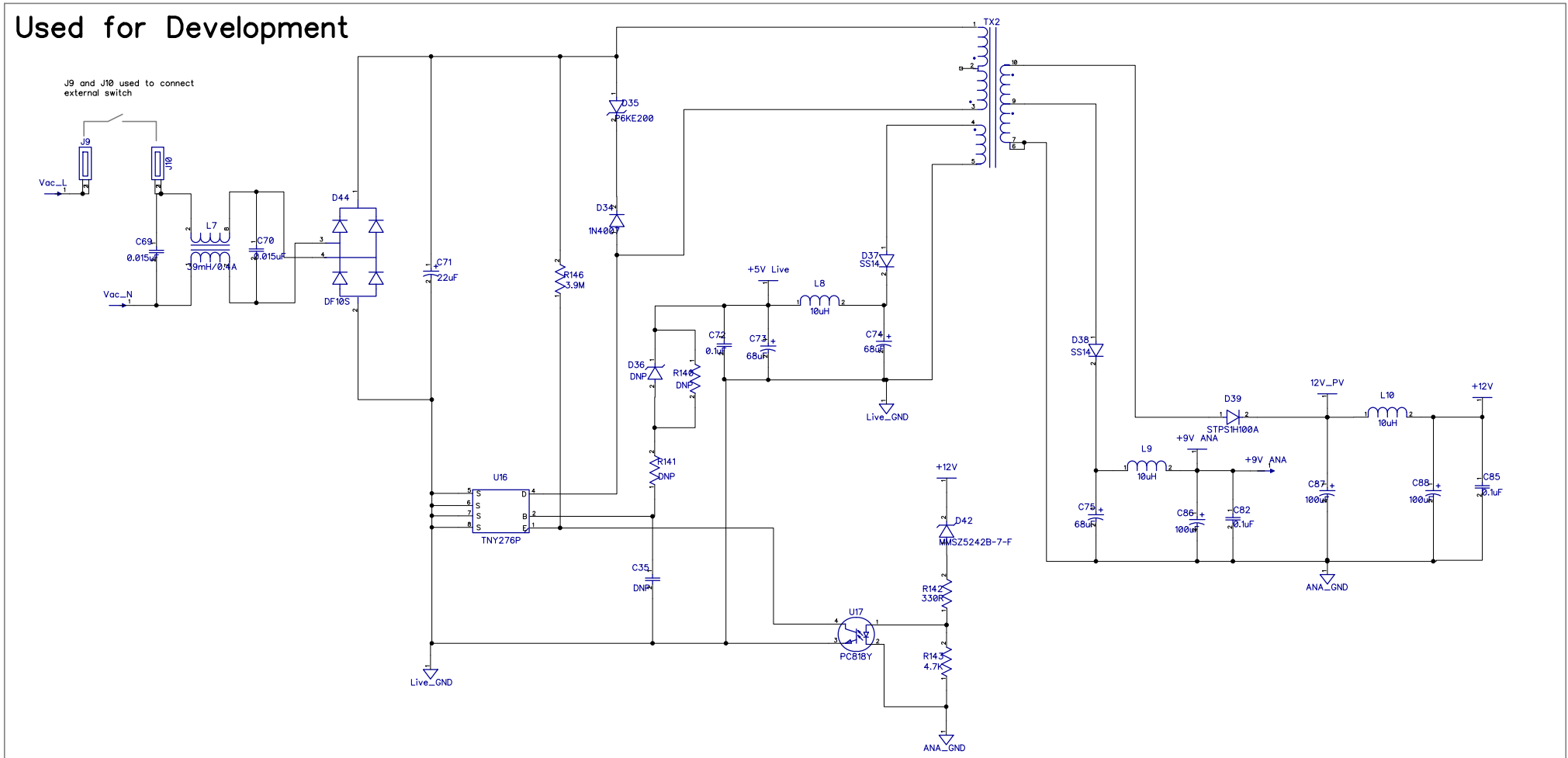
Auxiliary Power Supply



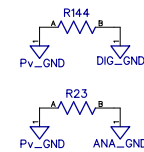
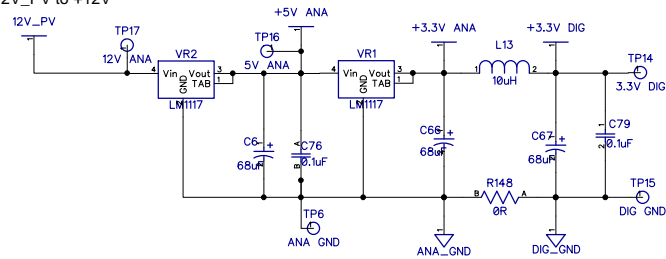
Used for Development



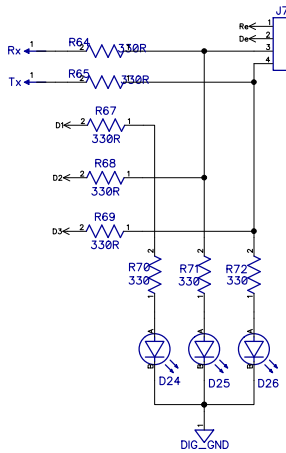
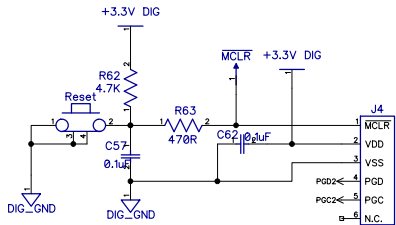
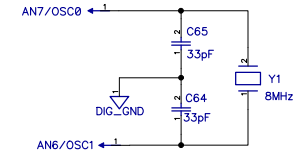
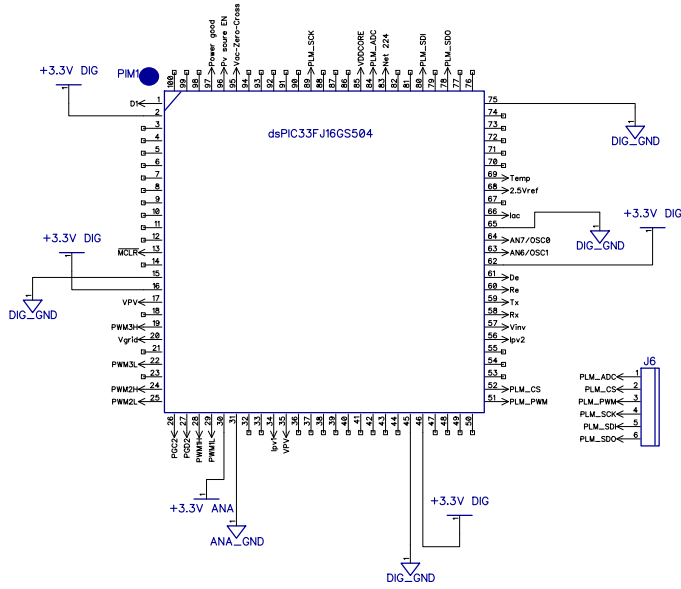
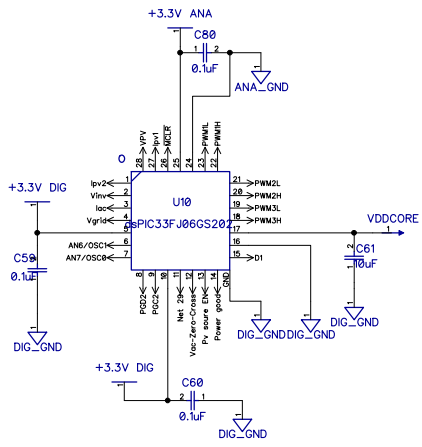
Used for Development



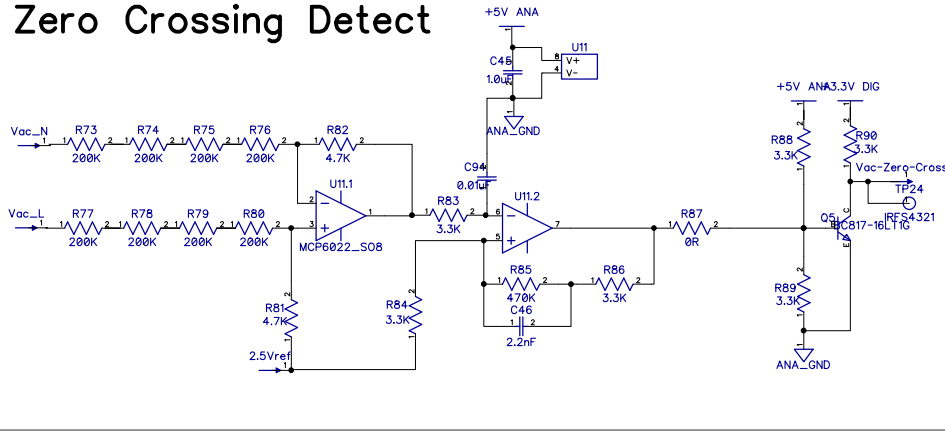
Jumper 12V_PV to +12V



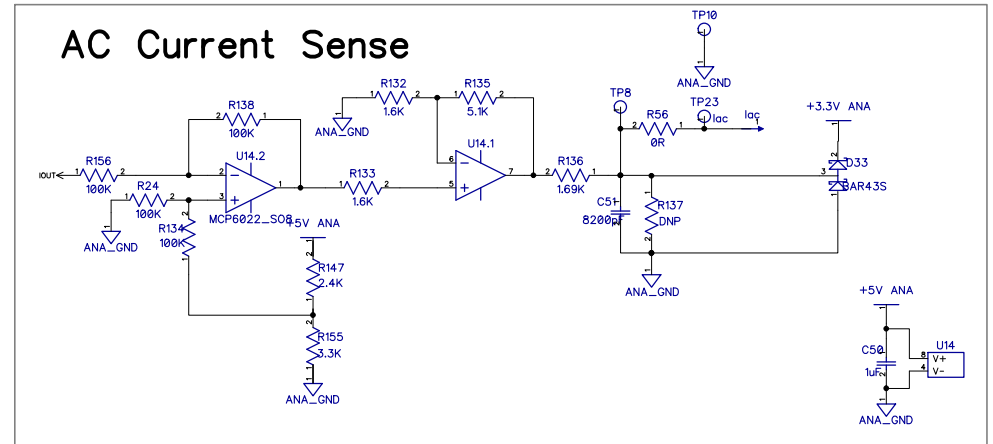
Auxiliary Supply



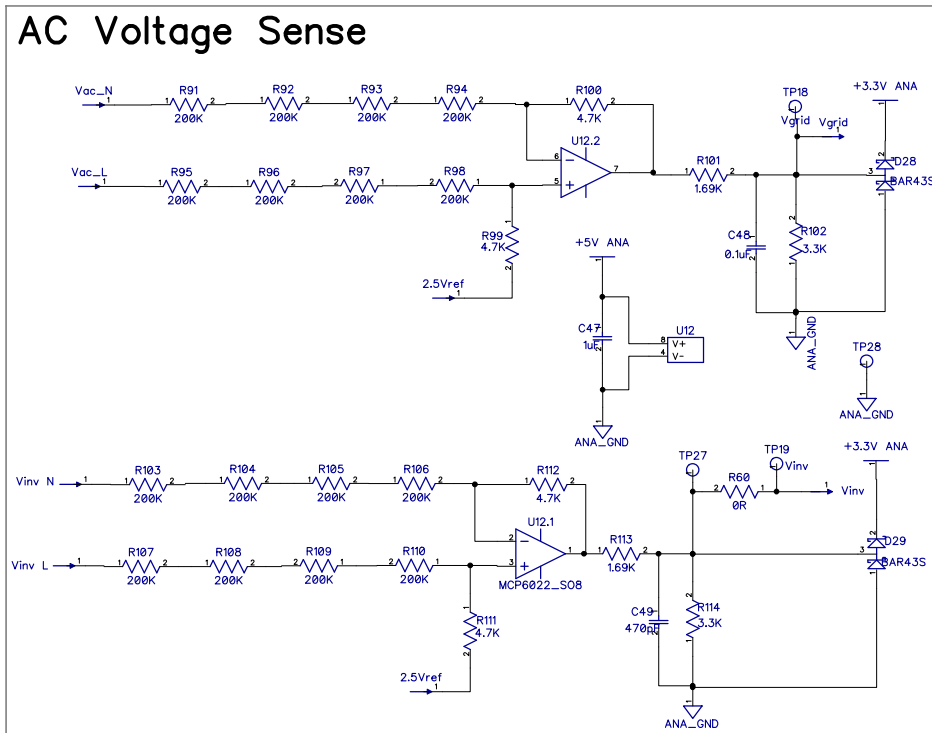
Zero Crossing Detect



AC Current Sense



AC Voltage Sense



Flyback Current Sense

