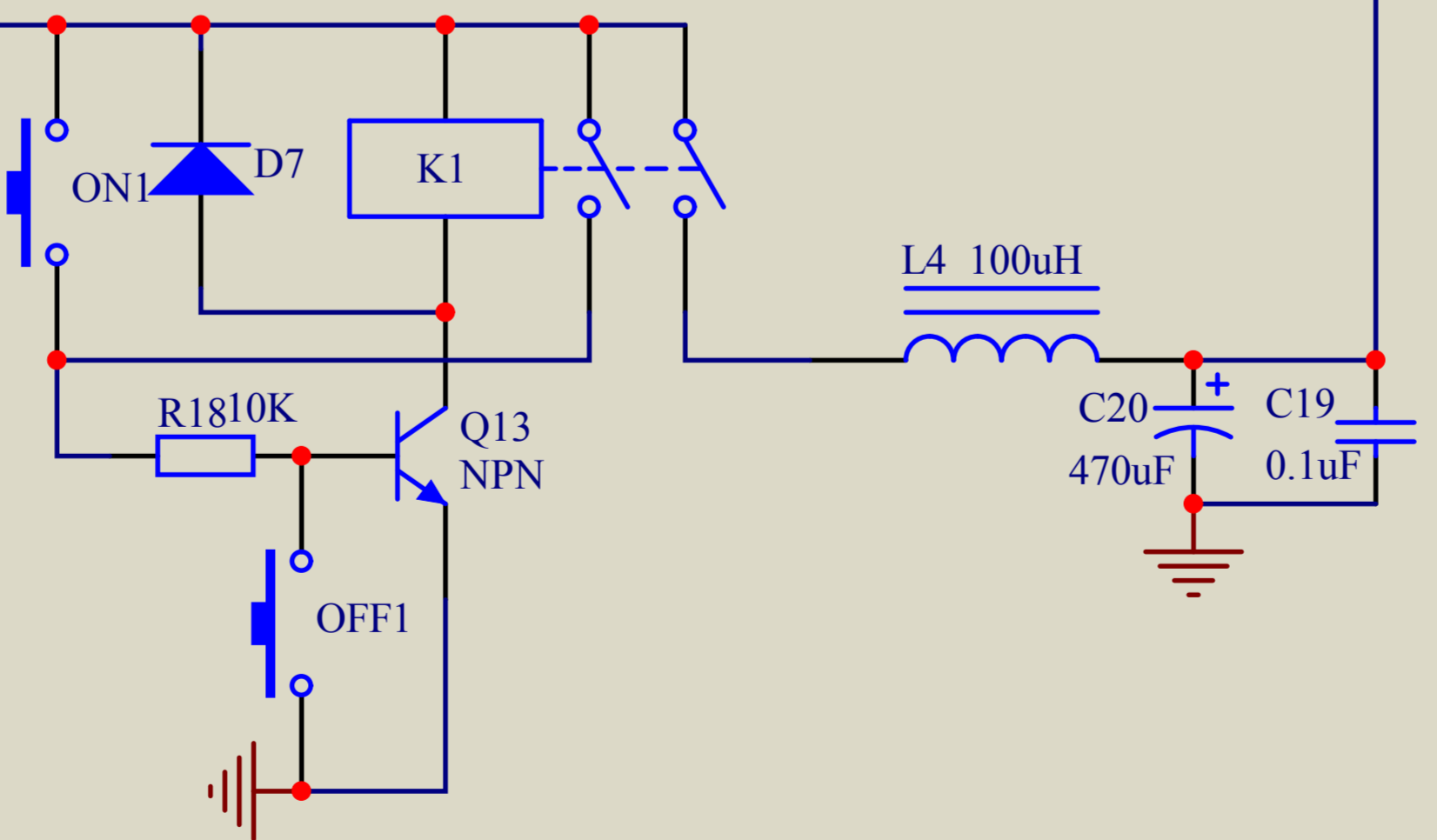


P1:1,24V .2, .
 P2:1.2, .3,24V.4,12V.5, .6, .7,5V.
 8, .9,24V.10, .
 P3:4 SPWM
 P4:1, .2, .3,24V.4,5V.5, .6, .7,1
 2V.8, .
 P5:1,DC .2, .
 P6:AC220V



Title		
Size	Number	Revision
A4		
Date:	2011-10-12	Sheet of
File:	D:\Altium\Examples\	.SchDoc Drawn By: