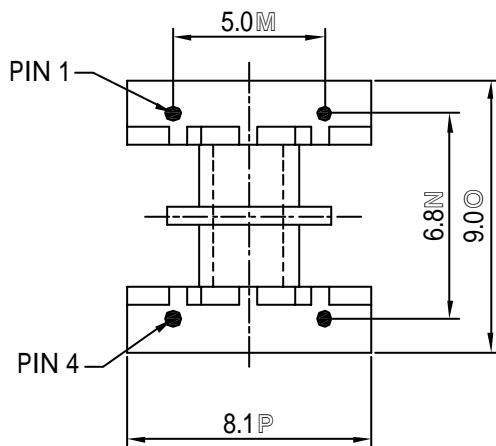
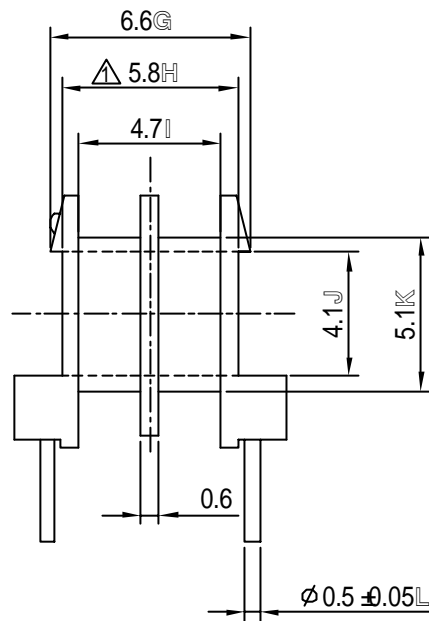
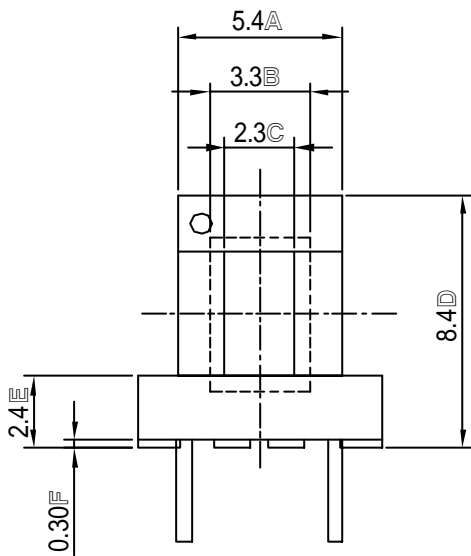
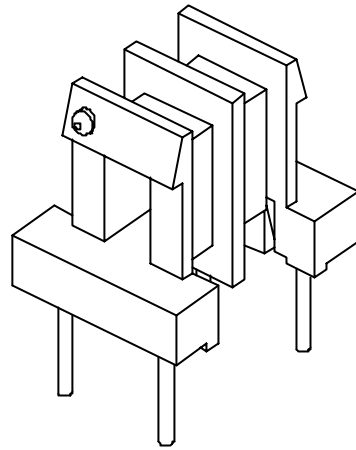
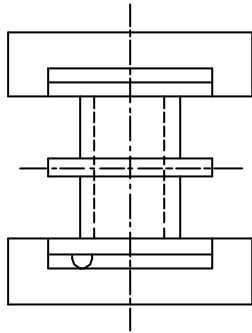


REVISIONS				
ISSUE	SYM	DATE	DRAFTER	CHECKER
NOTE:				

 <b>樹林企業股份有限公司</b> TAIWAN SHULIN ENTERPRISE CO., LTD	MODEL		TF-0802	
	MATERIAL		PHENOLIC	
WEB: www.bobbin.com.tw	UL RATING	UL94V-0	TOLERANCE .X $\pm 0.2$ .XX $\pm 0.15$ PIN PITCH $\pm 0.1$	
e-mail: shulin@bobbin.com.tw	PIN MATERIAL	CP WIRE		
(TAIWAN TAIPEI) TEL: (886)2-2223-1500 FAX: (886)2-2222-4646	EDITION	3.0		
(CHINA DONGGUAN) TEL: (86)769-7730-785 FAX: (86)769-7312-387	DATE	2003/4/26	UNIT	MM
(CHINA SUZHOU) TEL: (86)512-6621-0580 FAX: (86)512-6621-0685	SCALE	4/1		



REVISIONS				
ISSUE	SYM	DATE	DRAFTER	CHECKER
1.	△	2003/4/26	LI HUA HONG	C.H.WANG
NOTE:				



**樹林企業股份有限公司**  
TAIWAN SHULIN ENTERPRISE CO., LTD

MODEL

TF-0803

MATERIAL

PHENOLIC

WEB: www.bobbin.com.tw

UL RATING

UL94V-0

TOLERANCE

e-mail: shulin@bobbin.com.tw

PIN MATERIAL

CP WIRE

.X ±0.2

(TAIWAN TAIPEI) TEL:(886)2-2223-1500 FAX:(886)2-2222-4646

EDITION

2.0A

.XX ±0.15

(CHINA DONGGUAN) TEL:(86)769-7730-785 FAX:(86)769-7312-387

DATE

2003/4/26

PIN PITCH ±0.1

(CHINA SUZHOU) TEL:(86)512-6621-0580 FAX:(86)512-6621-0685

SCALE

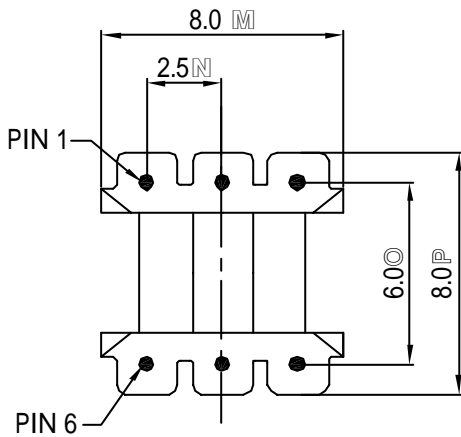
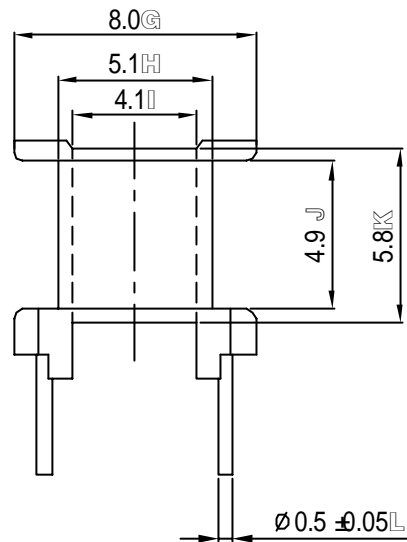
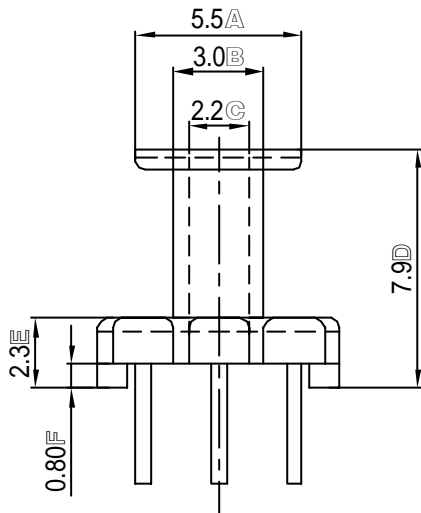
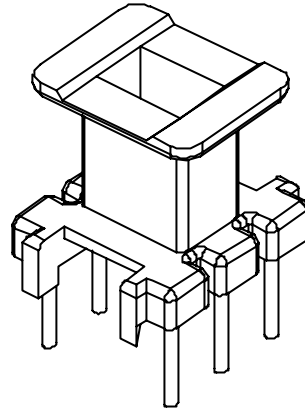
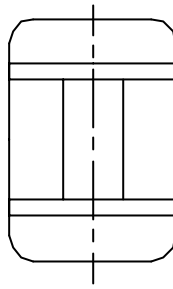
4/1

UNIT

MM

-D1-E8.3-P03 -

本图面版权属台湾树林，本人仅将其汇总。不承担任何法律责任！！QQ：195502110



REVISIONS				
ISSUE	SYM	DATE	DRAFTER	CHECKER
NOTE:				



樹林企業股份有限公司

TAIWAN SHULIN ENTERPRISE CO., LTD

WEB: www.bobbin.com.tw

e-mail: shulin@bobbin.com.tw

(TAIWAN TAIPEI) TEL: (886)2-2223-1500 FAX: (886)2-2222-4646

(CHINA DONGGUAN) TEL: (86)769-7730-785 FAX: (86)769-7312-387

(CHINA SUZHOU) TEL: (86)512-6621-0580 FAX: (86)512-6621-0685

MODEL

TF-0804

MATERIAL

PHENOLIC

UL RATING

UL94V-0

TOLERANCE

PIN MATERIAL

CP WIRE

.X  $\pm 0.2$

.XX  $\pm 0.15$

EDITION

1.0

PIN PITCH  $\pm 0.1$

DATE

2003/5/23

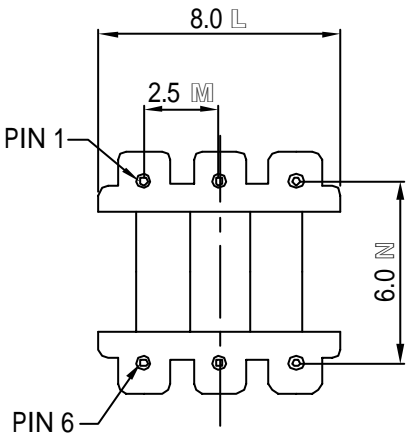
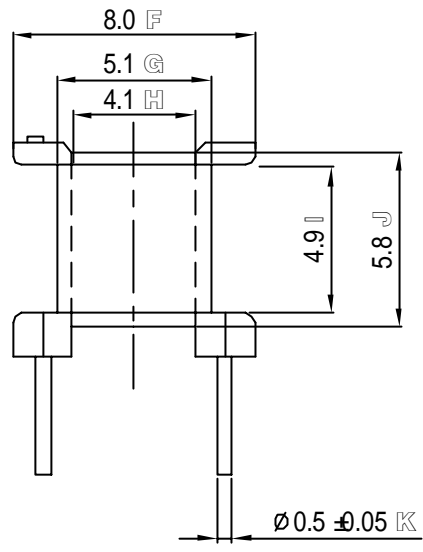
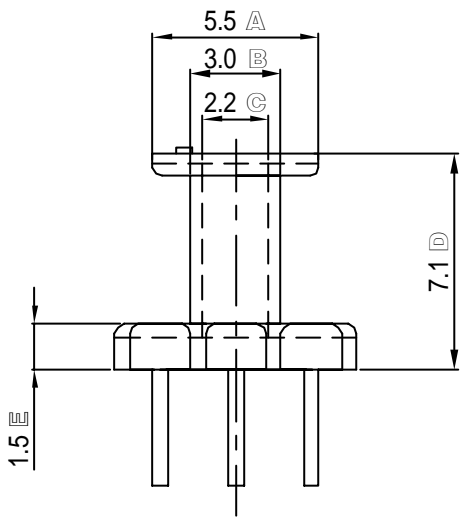
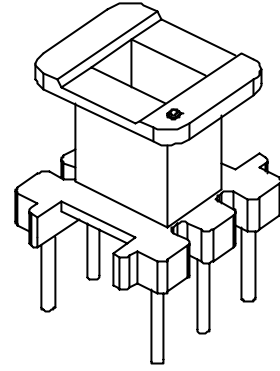
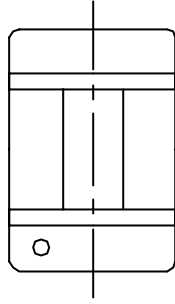
SCALE

4/1

UNIT


MM

-D1-E8.3-P04 -

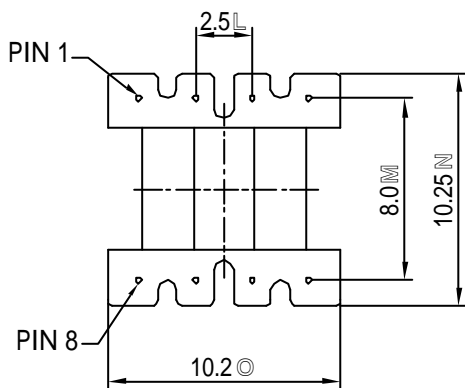
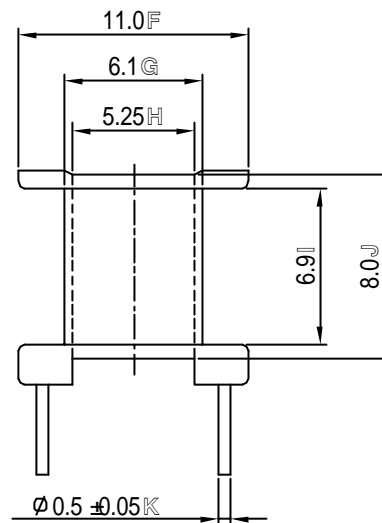
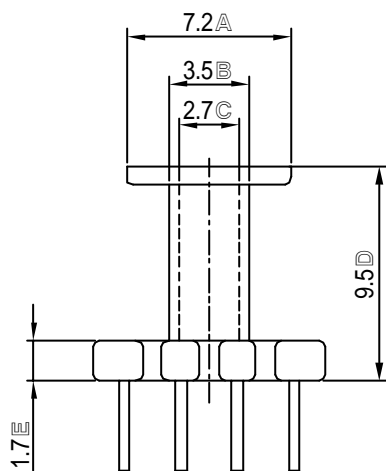
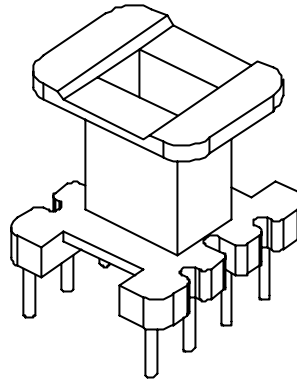
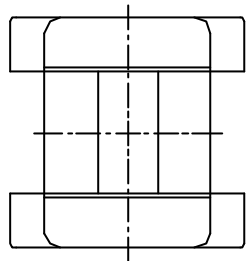


REVISIONS				
ISSUE	SYM	DATE	DRAFTER	CHECKER

NOTE:

 <b>樹林企業股份有限公司</b> TAIWAN SHULIN ENTERPRISE CO., LTD	MODEL		TF-8.3	
	MATERIAL		PHENOLIC	
WEB: www.bobbin.com.tw	UL RATING	UL94V-0	TOLERANCE .X $\pm 0.2$ .XX $\pm 0.15$ PIN PITCH $\pm 0.1$	
e-mail: shulin@bobbin.com.tw	PIN MATERIAL	CP WIRE		
(TAIWAN TAIPEI) TEL: (886)2-2223-1500 FAX: (886)2-2222-4646	EDITION	2.0		
(CHINA DONGGUAN) TEL: (86)769-7730-785 FAX: (86)769-7312-387	DATE	2002/8/15	UNIT	MM
(CHINA SUZHOU) TEL: (86)512-6621-0580 FAX: (86)512-6621-0685	SCALE	4/1		

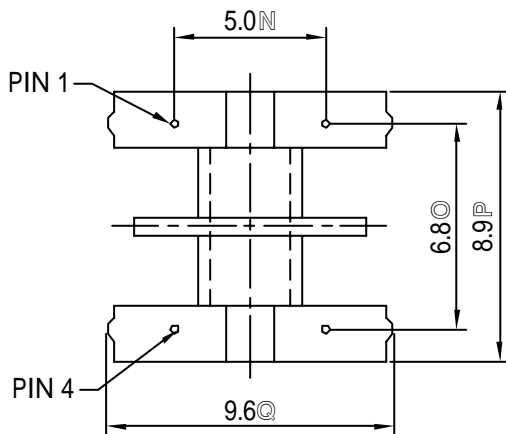
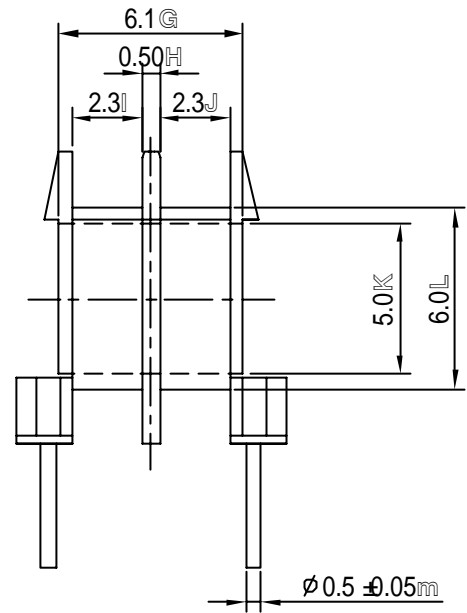
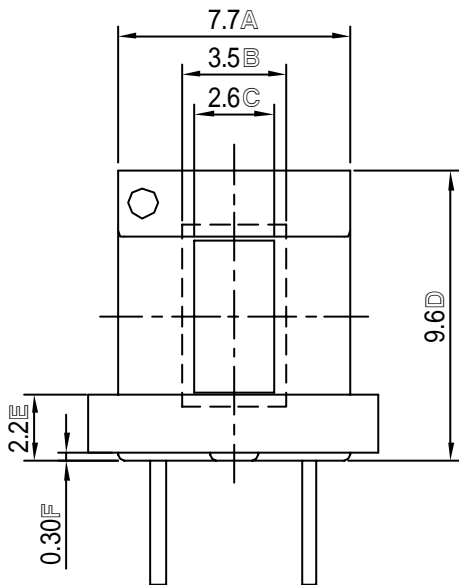
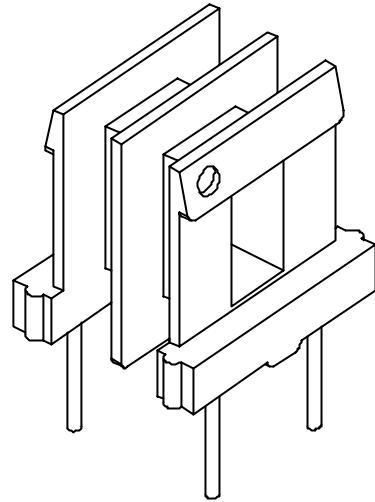
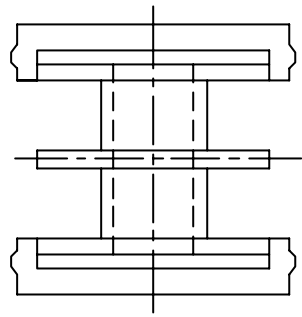
-D1-E8.3-P01 -



REVISIONS				
ISSUE	SYM	DATE	DRAFTER	CHECKER
NOTE:				

 <b>樹林企業股份有限公司</b> TAIWAN SHULIN ENTERPRISE CO., LTD	MODEL		TF-10		
	MATERIAL		PHENOLIC		
WEB:www.bobbin.com.tw	UL RATING	UL94V-0	TOLERANCE  .X $\pm 0.2$ .XX $\pm 0.15$ PIN PITCH $\pm 0.1$		
e-mail:shulin@bobbin.com.tw	PIN MATERIAL	CP WIRE			
(TAIWAN TAIPEI) TEL:(886)2-2223-1500 FAX:(886)2-2222-4646	EDITION	2.0			
(CHINA DONGGUAN) TEL:(86)769-7730-785 FAX:(86)769-7312-387	DATE	2002/8/15			
(CHINA SUZHOU) TEL:(86)512-6621-0580 FAX:(86)512-6621-0685	SCALE	3/1	UNIT	MM	

-D1-E10-P01 -



REVISIONS				
ISSUE	SYM	DATE	DRAFTER	CHECKER

NOTE:



樹林企業股份有限公司

TAIWAN SHULIN ENTERPRISE CO., LTD

WEB: www.bobbin.com.tw

e-mail: shulin@bobbin.com.tw

(TAIWAN TAIPEI) TEL: (886)2-2223-1500 FAX: (886)2-2222-4646

(CHINA DONGGUAN) TEL: (86)769-7730-785 FAX: (86)769-7312-387

(CHINA SUZHOU) TEL: (86)512-6621-0580 FAX: (86)512-6621-0685

MODEL

TF-1002

MATERIAL

PHENOLIC

UL RATING

UL94V-0

PIN MATERIAL

CP WIRE

EDITION

2.0

DATE

2002/8/15

SCALE

4/1

TOLERANCE

.X  $\pm 0.2$

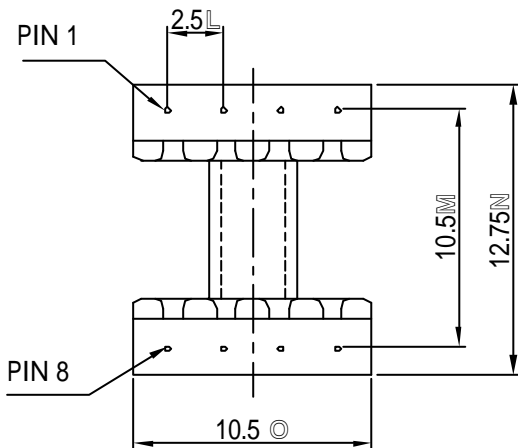
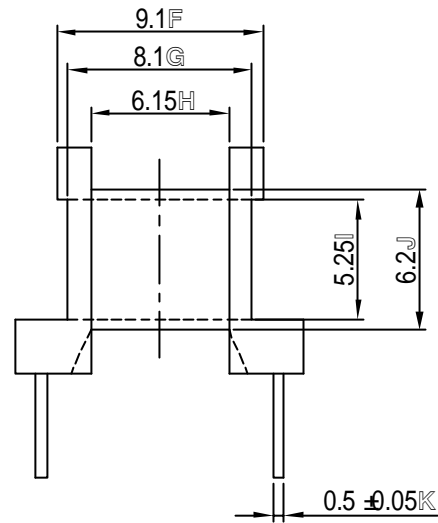
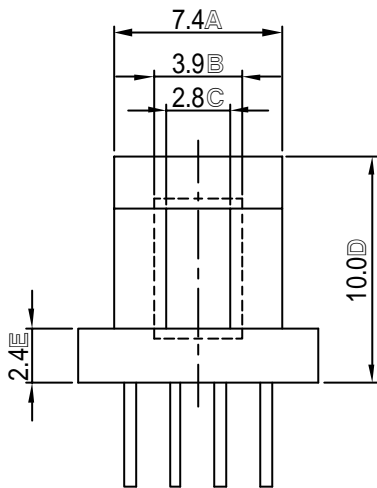
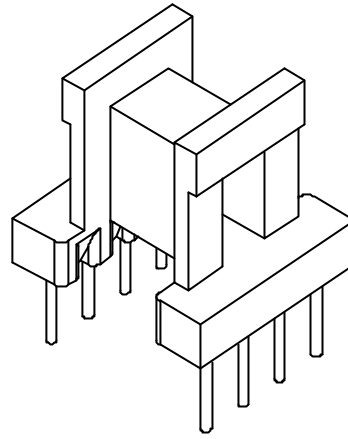
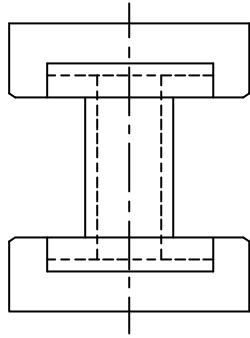
.XX  $\pm 0.15$

PIN PITCH  $\pm 0.1$

UNIT

MM

-D1-E10-P02 -



REVISIONS				
ISSUE	SYM	DATE	DRAFTER	CHECKER

NOTE:



樹林企業股份有限公司

TAIWAN SHULIN ENTERPRISE CO., LTD

WEB:www.bobbin.com.tw

e-mail:shulin@bobbin.com.tw

(TAIWAN TAIPEI) TEL:(886)2-2223-1500 FAX:(886)2-2222-4646

(CHINA DONGGUAN) TEL:(86)769-7730-785 FAX:(86)769-7312-387

(CHINA SUZHOU) TEL:(86)512-6621-0580 FAX:(86)512-6621-0685

MODEL

TF-1003

MATERIAL

PHENOLIC

UL RATING

UL94V-0

TOLERANCE

PIN MATERIAL

CP WIRE

.X ±0.2

.XX ±0.15

EDITION

2.0

PIN PITCH ±0.1

DATE

2002/8/15

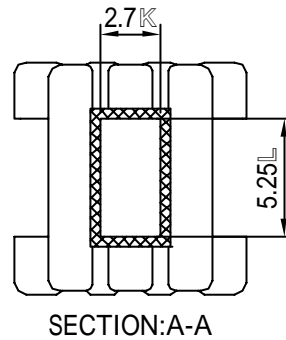
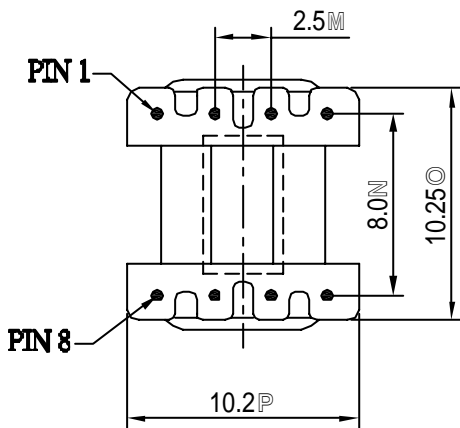
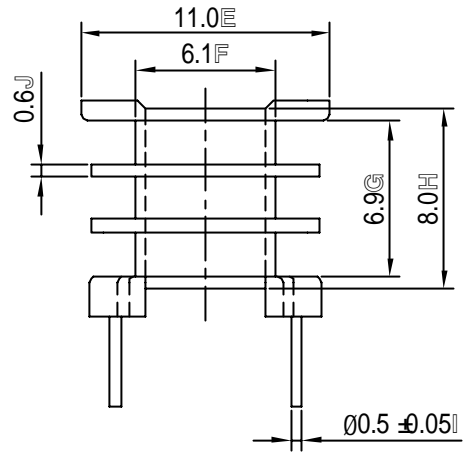
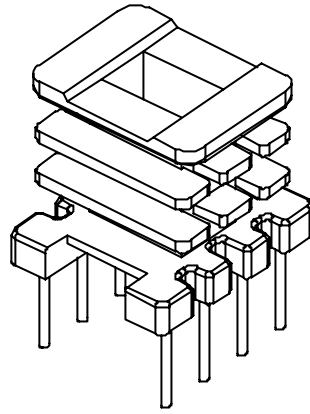
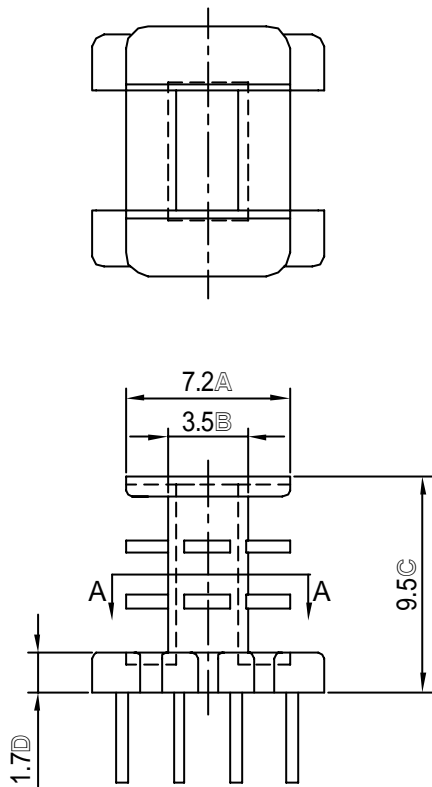
SCALE

3/1

UNIT

MM

-D1-E10-P03 -



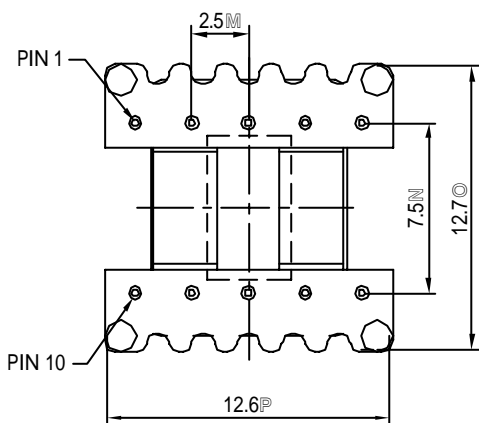
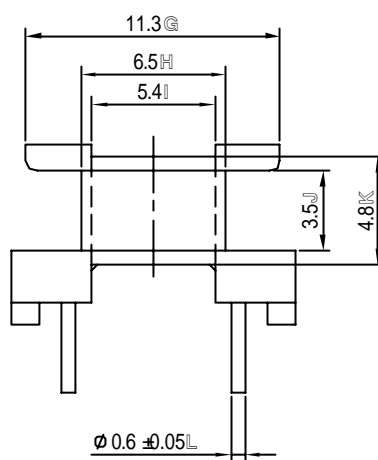
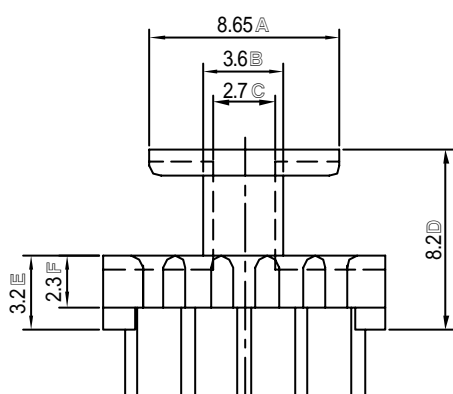
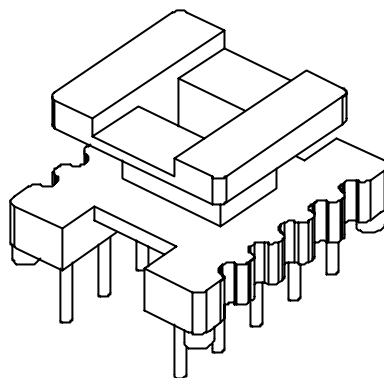
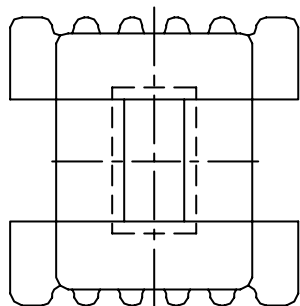
REVISIONS				
ISSUE	SYM	DATE	DRAFTER	CHECKER

NOTE:

 <b>樹林企業股份有限公司</b> TAIWAN SHULIN ENTERPRISE CO., LTD	MODEL		TF-1004	
	MATERIAL		PHENOLIC	
WEB: www.bobbin.com.tw	UL RATING	UL94V-0	TOLERANCE .X $\pm 0.1$ .XX $\pm 0.05$ PIN PITCH $\pm 0.1$	
e-mail: shulin@bobbin.com.tw	PIN MATERIAL	CP WIRE		
(TAIWAN TAIPEI) TEL: (886)2-2223-1500 FAX: (886)2-2222-4646	EDITION	1.0		
(CHINA DONGGUAN) TEL: (86)769-7730-785 FAX: (86)769-7312-387	DATE	2003/2/27		
(CHINA SUZHOU) TEL: (86)512-6621-0580 FAX: (86)512-6621-0685	SCALE	3/1	UNIT	MM

-D1-E10-P04 -





REVISIONS				
ISSUE	SYM	DATE	DRAFTER	CHECKER

NOTE:

 樹林企業股份有限公司  
TAIWAN SHULIN ENTERPRISE CO., LTD

MODEL

TF-12.5

MATERIAL

PHENOLIC

WEB: www.bobbin.com.tw

UL RATING

UL94V-0

TOLERANCE

e-mail: shulin@bobbin.com.tw

PIN MATERIAL

CP WIRE

.X  $\pm 0.2$

(TAIWAN TAIPEI) TEL:(886)2-2223-1500 FAX:(886)2-2222-4646

EDITION

2.0

.XX  $\pm 0.15$

(CHINA DONGGUAN) TEL:(86)769-7730-785 FAX:(86)769-7312-387

DATE

2002/8/15

PIN PITCH  $\pm 0.1$

(CHINA SUZHOU) TEL:(86)512-6621-0580 FAX:(86)512-6621-0685

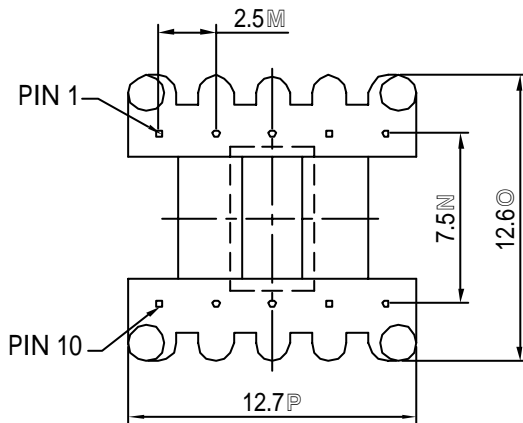
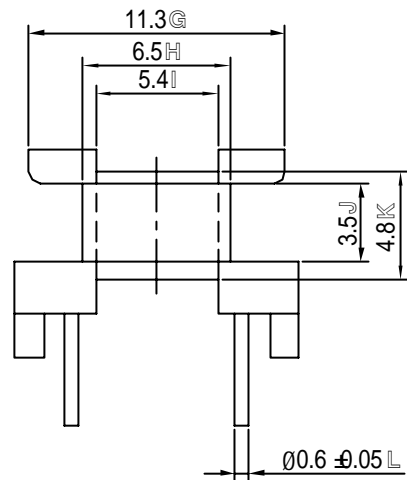
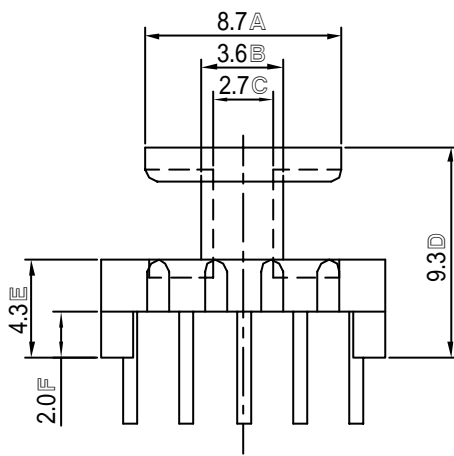
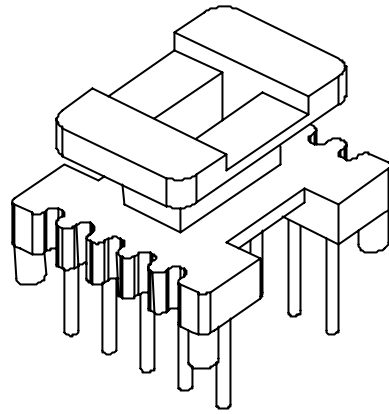
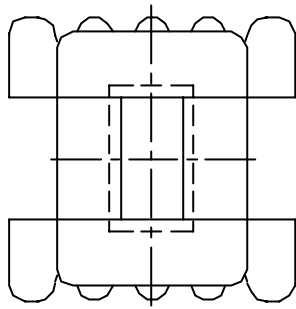
SCALE

3/1

UNIT

MM

-D1-E12-P01 -



REVISIONS				
ISSUE	SYM	DATE	DRAFTER	CHECKER

NOTE:



樹林企業股份有限公司

TAIWAN SHULIN ENTERPRISE CO., LTD

WEB: [www.bobbin.com.tw](http://www.bobbin.com.tw)

e-mail: [shulin@bobbin.com.tw](mailto:shulin@bobbin.com.tw)

(TAIWAN TAIPEI) TEL: (886)2-2223-1500 FAX: (886)2-2222-4646

(CHINA DONGGUAN) TEL: (86)769-7730-785 FAX: (86)769-7312-387

(CHINA SUZHOU) TEL: (86)512-6621-0580 FAX: (86)512-6621-0685

MODEL

TF-12.5-1

MATERIAL

PHENOLIC

UL RATING

UL94V-0

TOLERANCE

PIN MATERIAL

CP WIRE

.X  $\pm 0.2$

EDITION

2.0

.XX  $\pm 0.15$

DATE

2002/8/15

PIN PITCH  $\pm 0.1$

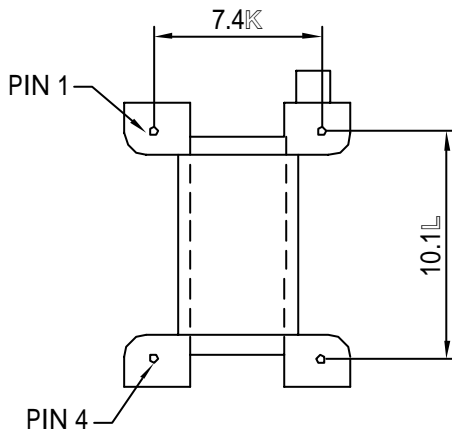
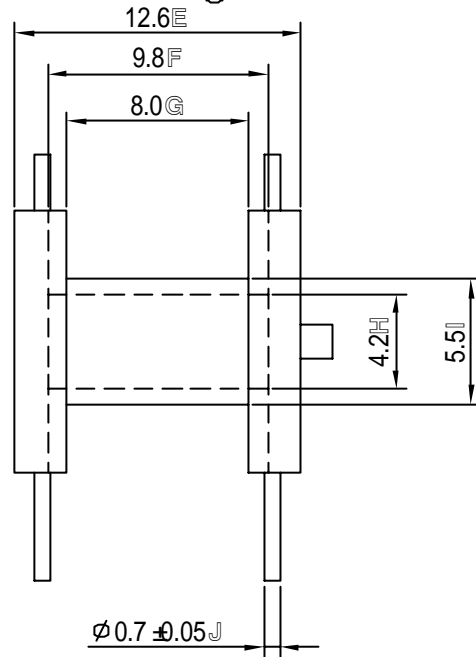
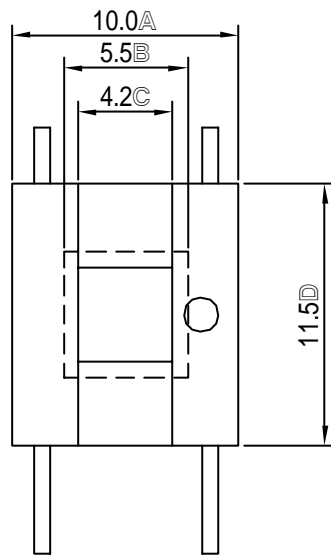
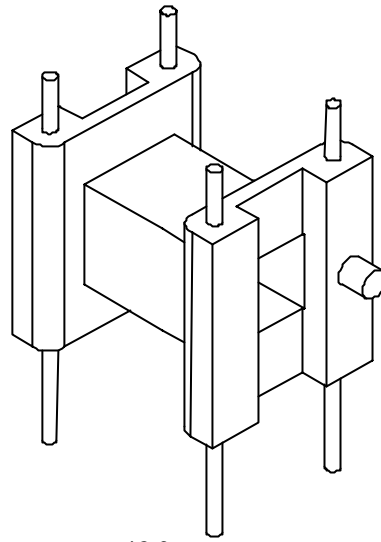
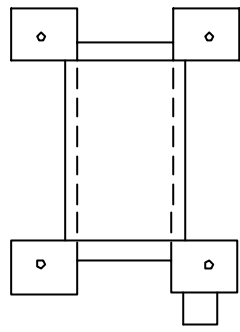
SCALE

3/1

UNIT

MM

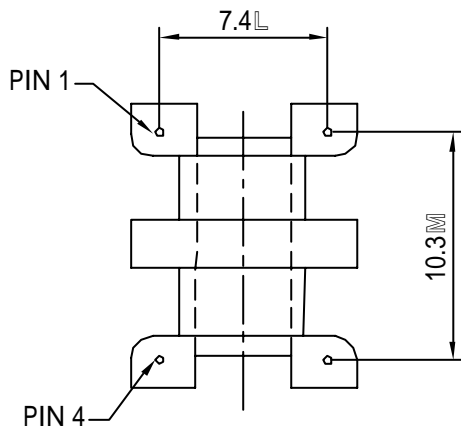
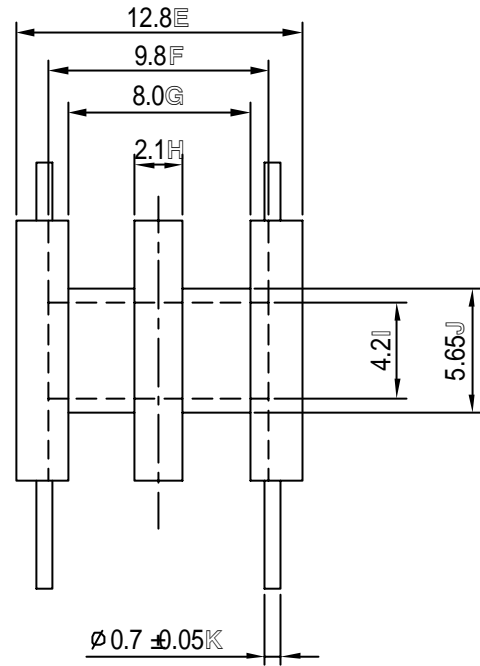
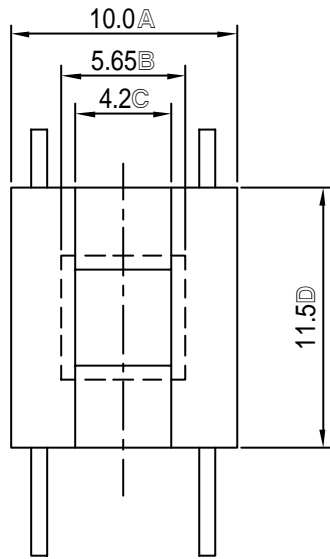
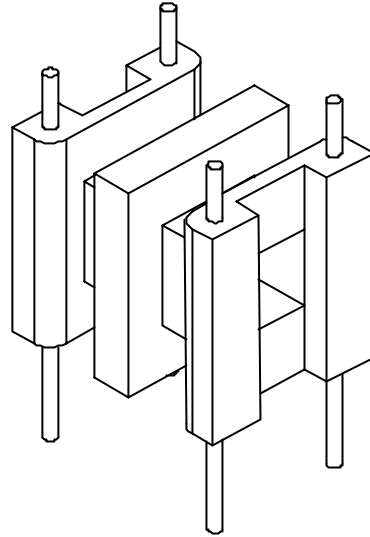
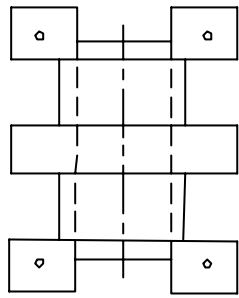
-D1-E12-P02 -



REVISIONS				
ISSUE	SYM	DATE	DRAFTER	CHECKER
NOTE:				

 <b>樹林企業股份有限公司</b> TAIWAN SHULIN ENTERPRISE CO., LTD	MODEL	TF-1201		
	MATERIAL	PBT		
WEB: www.bobbin.com.tw	UL RATING	UL94V-0	TOLERANCE .X $\pm 0.2$ .XX $\pm 0.15$ PIN PITCH $\pm 0.1$	
e-mail: shulin@bobbin.com.tw	PIN MATERIAL	CP WIRE		
(TAIWAN TAIPEI) TEL: (886)2-2223-1500 FAX: (886)2-2222-4646	EDITION	2.0		
(CHINA DONGGUAN) TEL: (86)769-7730-785 FAX: (86)769-7312-387	DATE	2002/8/15		
(CHINA SUZHOU) TEL: (86)512-6621-0580 FAX: (86)512-6621-0685	SCALE	3/1	UNIT	MM

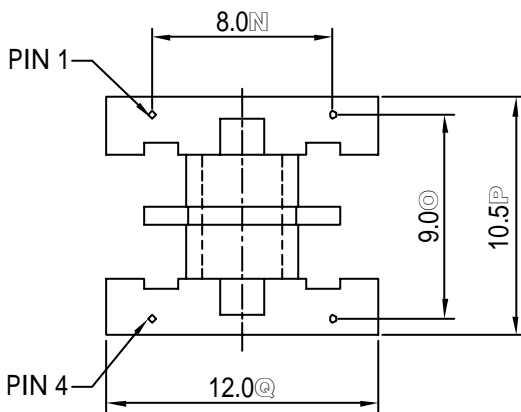
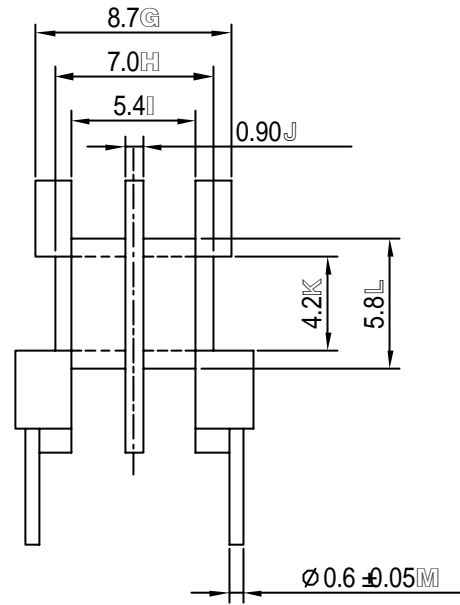
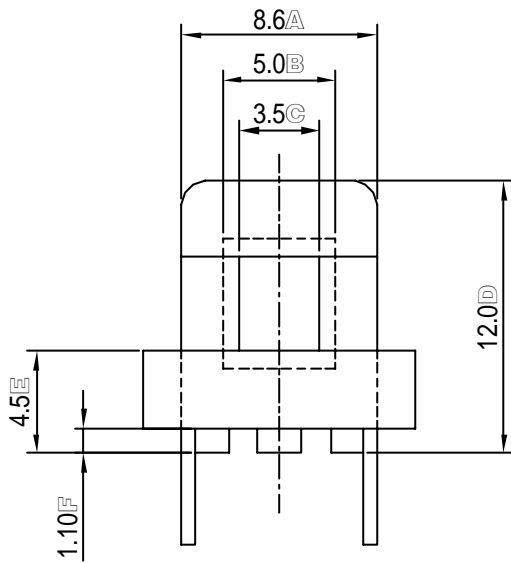
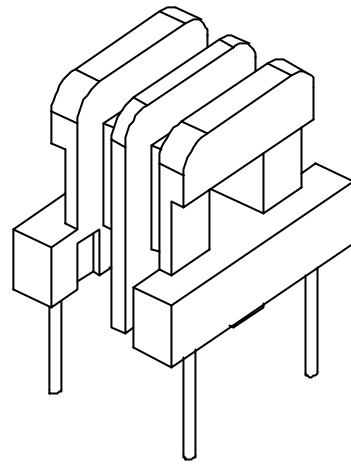
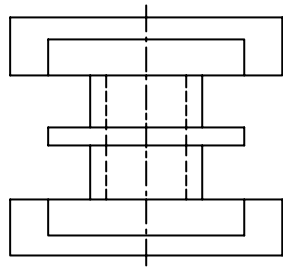
-D17-UU12-P01-



REVISIONS				
ISSUE	SYM	DATE	DRAFTER	CHECKER
NOTE:				

 <b>樹林企業股份有限公司</b> TAIWAN SHULIN ENTERPRISE CO., LTD	MODEL		TF-1201-1	
	MATERIAL		PBT	
WEB:www.bobbin.com.tw	UL RATING	UL94V-0	TOLERANCE .X $\pm 0.2$ .XX $\pm 0.15$ PIN PITCH $\pm 0.1$	
e-mail:shulin@bobbin.com.tw	PIN MATERIAL	CP WIRE		
(TAIWAN TAIPEI) TEL:(886)2-2223-1500 FAX:(886)2-2222-4646	EDITION	2.0		
(CHINA DONGGUAN) TEL:(86)769-7730-785 FAX:(86)769-7312-387	DATE	2002/8/15	UNIT	MM
(CHINA SUZHOU) TEL:(86)512-6621-0580 FAX:(86)512-6621-0685	SCALE	3/1		

-D17-UU12-P02-



REVISIONS				
ISSUE	SYM	DATE	DRAFTER	CHECKER

NOTE:



樹林企業股份有限公司

TAIWAN SHULIN ENTERPRISE CO., LTD

WEB: www.bobbin.com.tw

e-mail: shulin@bobbin.com.tw

(TAIWAN TAIPEI) TEL: (886)2-2223-1500 FAX: (886)2-2222-4646

(CHINA DONGGUAN) TEL: (86)769-7730-785 FAX: (86)769-7312-387

(CHINA SUZHOU) TEL: (86)512-6621-0580 FAX: (86)512-6621-0685

MODEL

TF-1202

MATERIAL

PHENOLIC

UL RATING

UL94V-0

PIN MATERIAL

CP WIRE

EDITION

2.0

DATE

2002/8/15

SCALE

3/1

TOLERANCE

.X  $\pm 0.2$

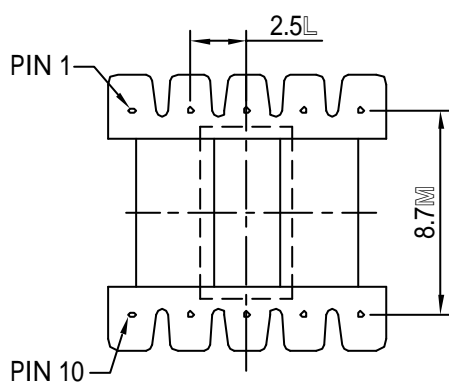
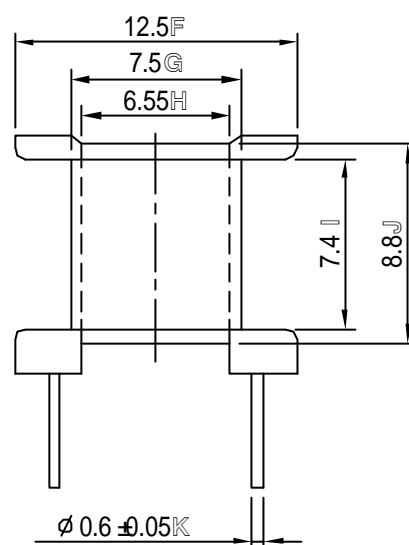
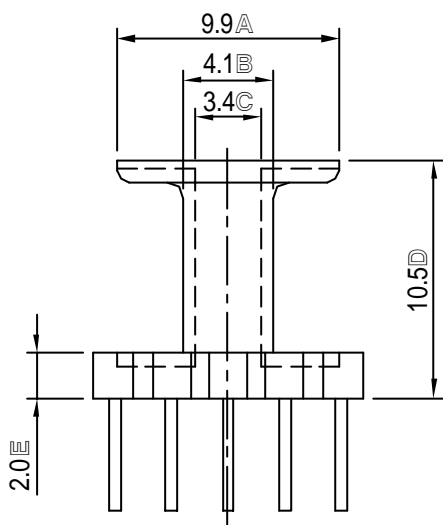
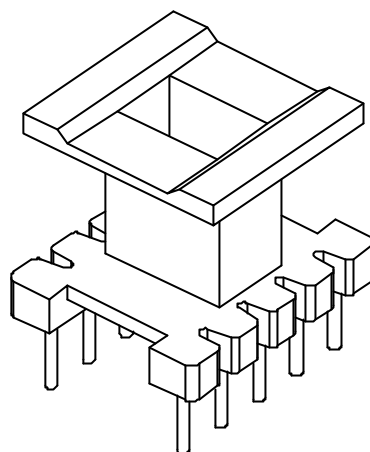
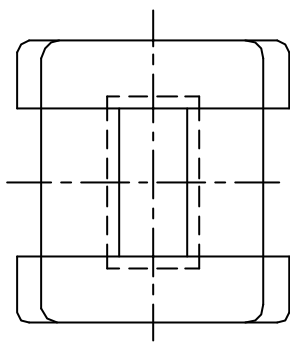
.XX  $\pm 0.15$

PIN PITCH  $\pm 0.1$

UNIT

MM

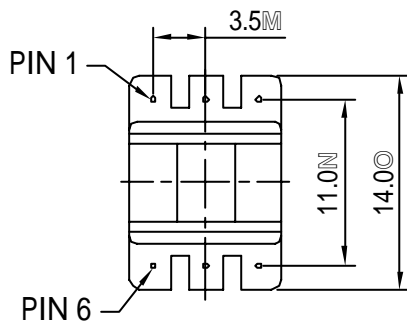
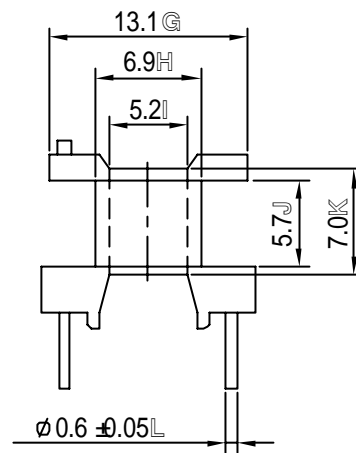
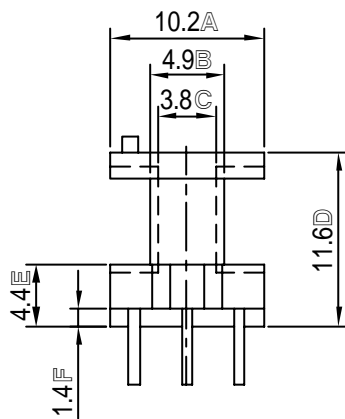
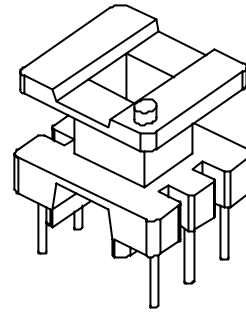
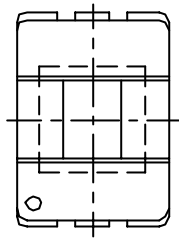
- D1-E12-P03 -



REVISIONS				
ISSUE	SYM	DATE	DRAFTER	CHECKER
NOTE:				

 <b>樹林企業股份有限公司</b> TAIWAN SHULIN ENTERPRISE CO., LTD	MODEL		TF-1301	
	MATERIAL		PHENOLIC	
WEB: www.bobbin.com.tw	UL RATING	UL94V-0	TOLERANCE .X $\pm 0.2$ .XX $\pm 0.15$ PIN PITCH $\pm 0.1$	
e-mail: shulin@bobbin.com.tw	PIN MATERIAL	CP WIRE		
(TAIWAN TAIPEI) TEL:(886)2-2223-1500 FAX:(886)2-2222-4646	EDITION	2.0		
(CHINA DONGGUAN) TEL:(86)769-7730-785 FAX:(86)769-7312-387	DATE	2002/8/15		
(CHINA SUZHOU) TEL:(86)512-6621-0580 FAX:(86)512-6621-0685	SCALE	3/1	UNIT	MM

-D1-E13-P01 -



REVISIONS				
ISSUE	SYM	DATE	DRAFTER	CHECKER
NOTE:				



樹林企業股份有限公司

TAIWAN SHULIN ENTERPRISE CO., LTD

WEB: www.bobbin.com.tw

e-mail: shulin@bobbin.com.tw

(TAIWAN TAIPEI) TEL: (886)2-2223-1500 FAX: (886)2-2222-4646

(CHINA DONGGUAN) TEL: (86)769-7730-785 FAX: (86)769-7312-387

(CHINA SUZHOU) TEL: (86)512-6621-0580 FAX: (86)512-6621-0685

MODEL

TF-1401

MATERIAL

PHENOLIC

UL RATING

UL94V-0

TOLERANCE

PIN MATERIAL

CP WIRE

.X  $\pm 0.2$

.XX  $\pm 0.15$

EDITION

2.0

PIN PITCH  $\pm 0.1$

DATE

2002/8/15

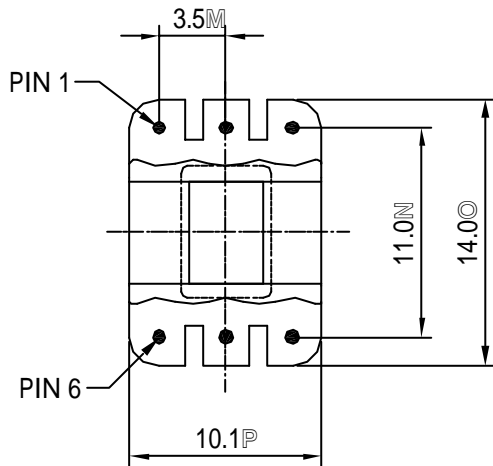
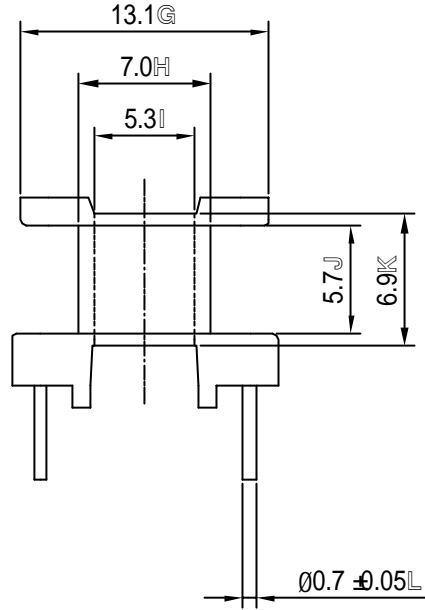
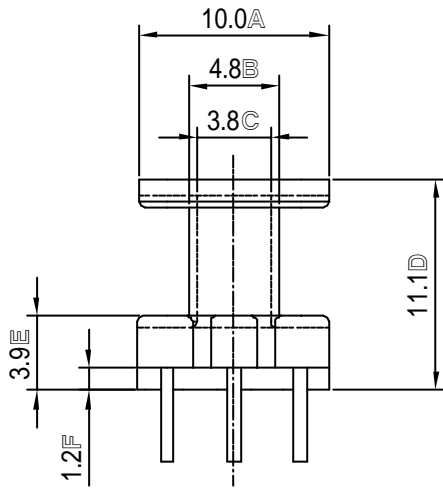
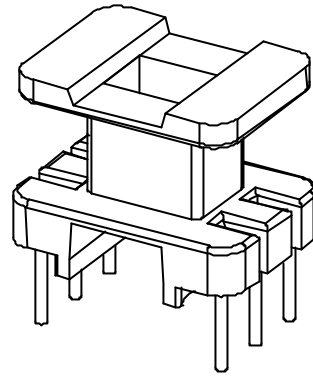
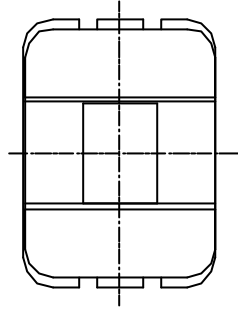
SCALE

2/1

UNIT

MM

-D1-E14-P01 -

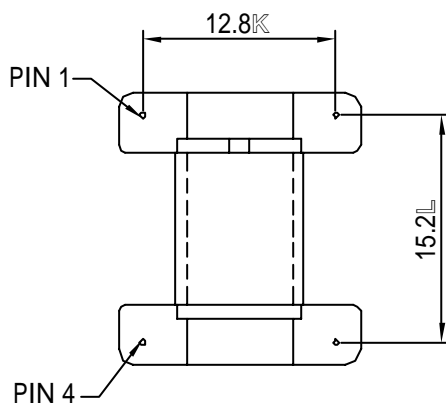
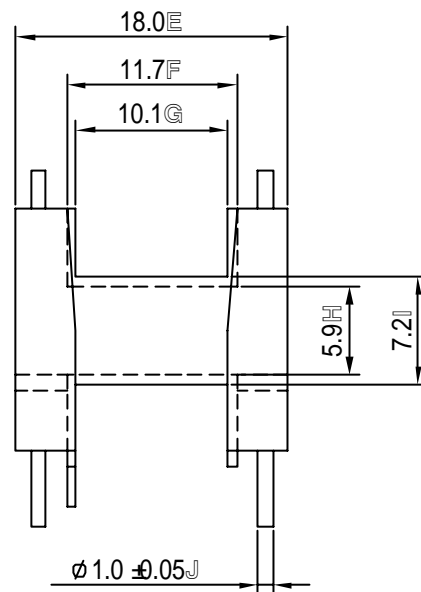
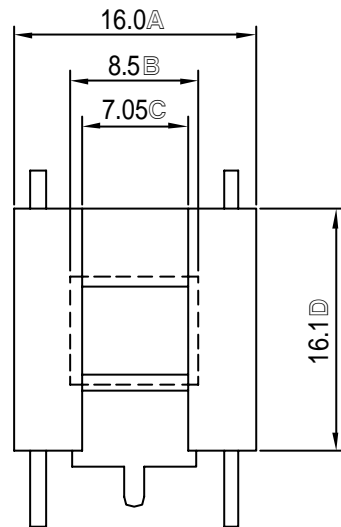
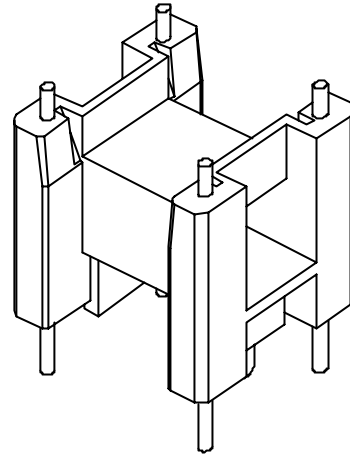
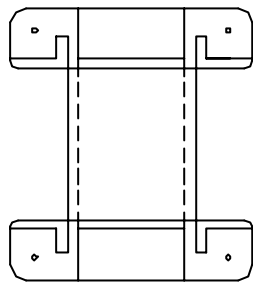


REVISIONS				
ISSUE	SYM	DATE	DRAFTER	CHECKER
NOTE:				

 <b>樹林企業股份有限公司</b> TAIWAN SHULIN ENTERPRISE CO., LTD	MODEL		TF-1402	
	MATERIAL		PHENOLIC	
WEB:www.bobbin.com.tw	UL RATING	UL94V-0	TOLERANCE  .X ±0.2 .XX ±0.15 PIN PITCH ±0.1	
e-mail:shulin@bobbin.com.tw	PIN MATERIAL	CP WIRE		
(TAIWAN TAIPEI) TEL:(886)2-2223-1500 FAX:(886)2-2222-4646	EDITION	1.0		
(CHINA DONGGUAN) TEL:(86)769-7730-785 FAX:(86)769-7312-387	DATE	2003/7/12		
(CHINA SUZHOU) TEL:(86)512-6621-0580 FAX:(86)512-6621-0685	SCALE	2.5/1	UNIT	MM

-D1-E14-P02 -

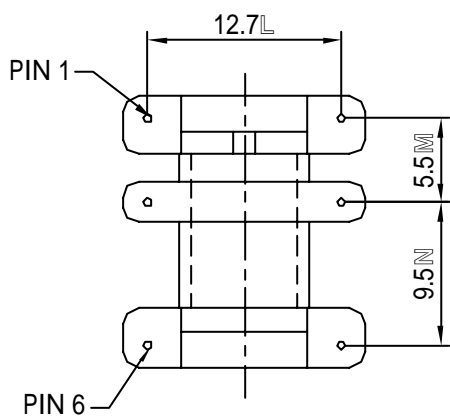
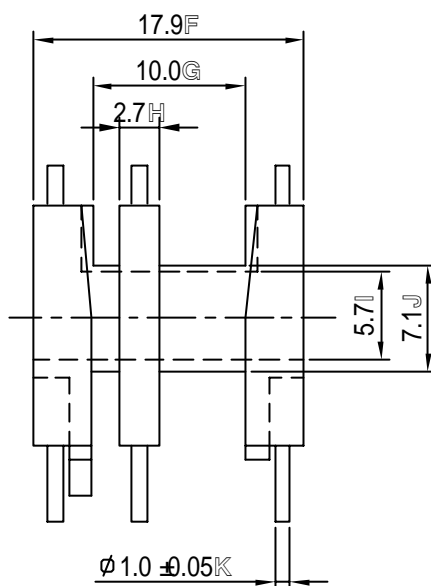
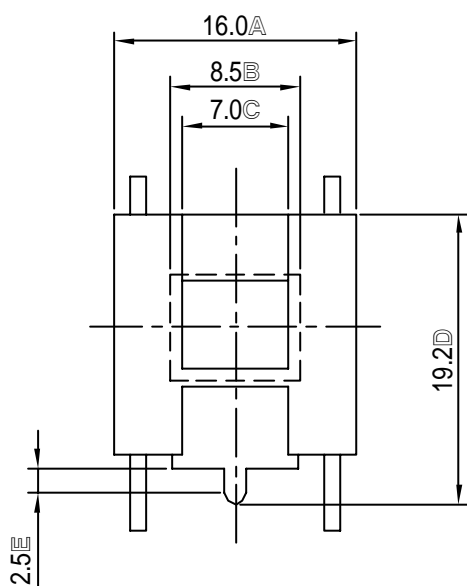
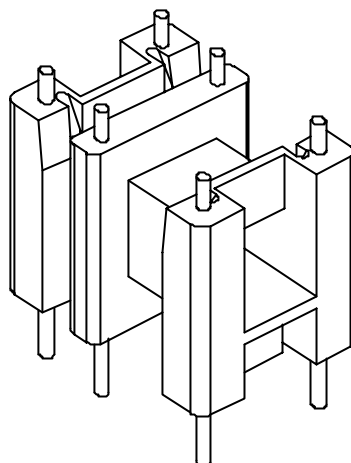
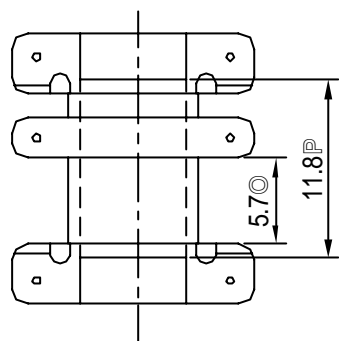




REVISIONS				
ISSUE	SYM	DATE	DRAFTER	CHECKER
NOTE:				

 <b>樹林企業股份有限公司</b> TAIWAN SHULIN ENTERPRISE CO., LTD	MODEL		TF-1501	
	MATERIAL		PBT	
WEB:www.bobbin.com.tw	UL RATING	UL94V-0	TOLERANCE .X $\pm 0.2$ .XX $\pm 0.15$ PIN PITCH $\pm 0.1$	
e-mail:shulin@bobbin.com.tw	PIN MATERIAL	CP WIRE		
(TAIWAN TAIPEI) TEL: (886)2-2223-1500 FAX: (886)2-2222-4646	EDITION	2.0		
(CHINA DONGGUAN) TEL: (86)769-7730-785 FAX: (86)769-7312-387	DATE	2002/8/15	UNIT	MM
(CHINA SUZHOU) TEL: (86)512-6621-0580 FAX: (86)512-6621-0685	SCALE	2/1		

-D17-UU15.7-P01-

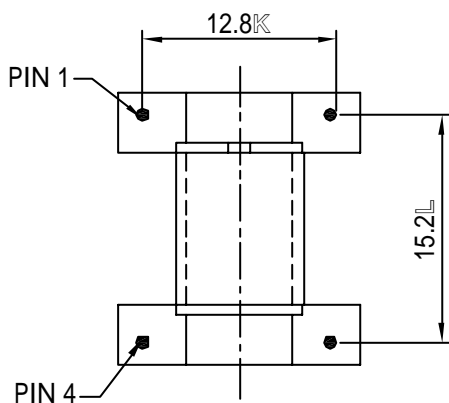
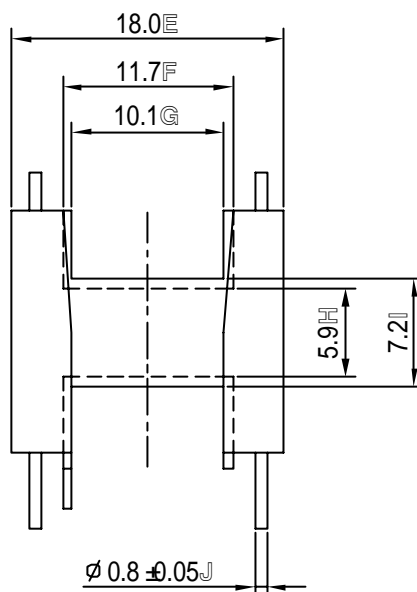
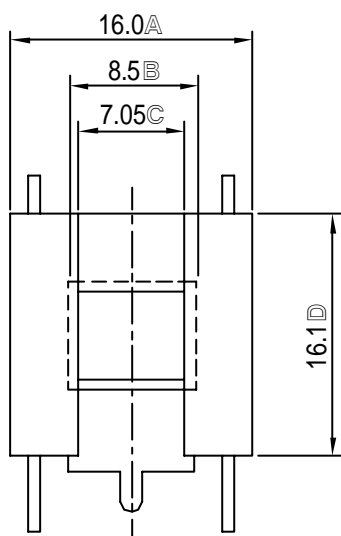
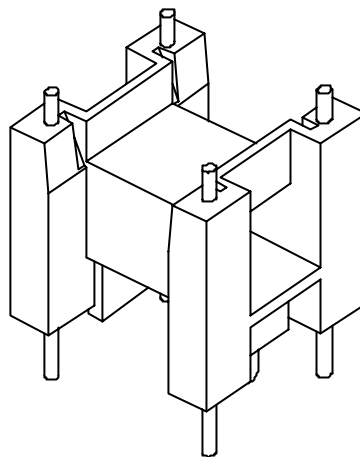
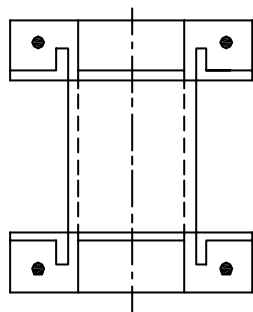


REVISIONS				
ISSUE	SYM	DATE	DRAFTER	CHECKER

NOTE:

 <b>樹林企業股份有限公司</b> TAIWAN SHULIN ENTERPRISE CO., LTD	MODEL		TF-1501-1	
	MATERIAL		PBT	
WEB:www.bobbin.com.tw	UL RATING	UL94V-0	TOLERANCE .X ±0.2 .XX ±0.15 PIN PITCH ±0.1	
e-mail:shulin@bobbin.com.tw	PIN MATERIAL	CP WIRE		
(TAIWAN TAIPEI) TEL:(886)2-2223-1500 FAX:(886)2-2222-4646	EDITION	2.0A		
(CHINA DONGGUAN) TEL:(86)769-7730-785 FAX:(86)769-7312-387	DATE	2003/10/31	UNIT	MM
(CHINA SUZHOU) TEL:(86)512-6621-0580 FAX:(86)512-6621-0685	SCALE	2/1		

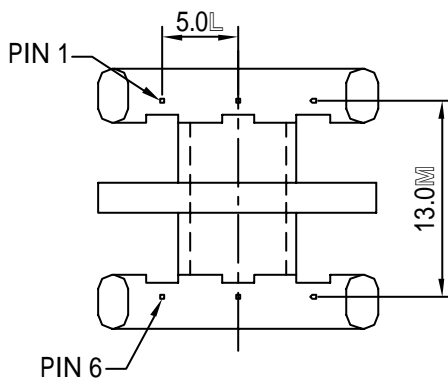
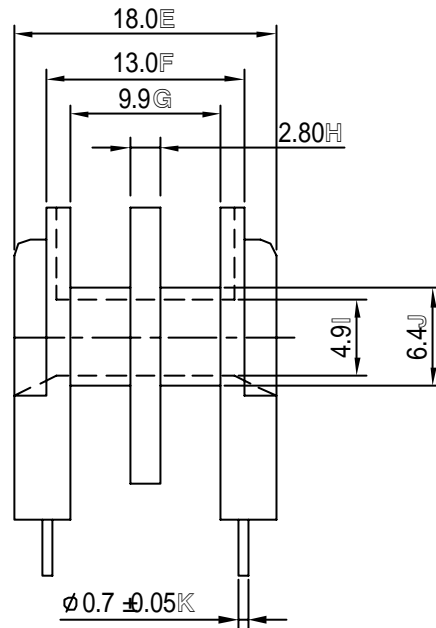
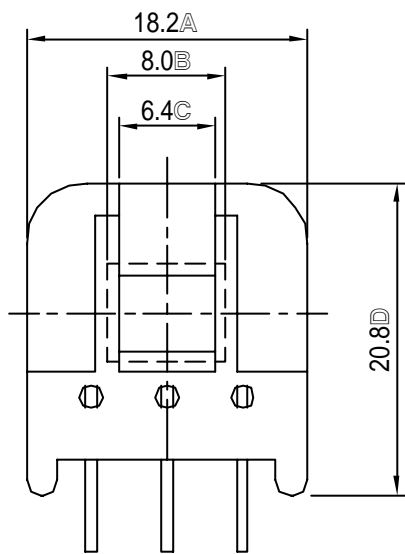
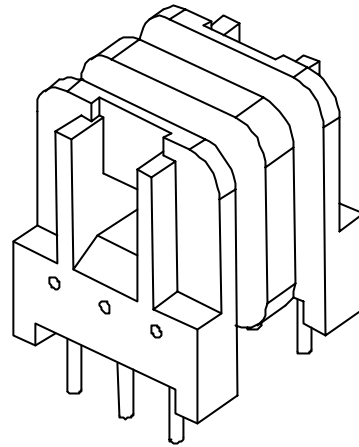
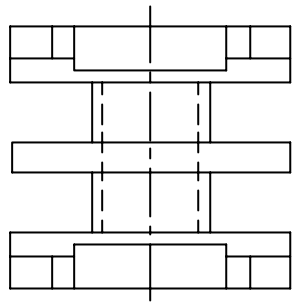
-D17-UU15.7-P02-



REVISIONS				
ISSUE	SYM	DATE	DRAFTER	CHECKER
NOTE:				

 <b>樹林企業股份有限公司</b> TAIWAN SHULIN ENTERPRISE CO., LTD	MODEL		TF-1501-2	
	MATERIAL		PBT	
WEB: www.bobbin.com.tw	UL RATING	UL94V-0	TOLERANCE .X $\pm 0.2$ .XX $\pm 0.15$ PIN PITCH $\pm 0.1$	
e-mail: shulin@bobbin.com.tw	PIN MATERIAL	CP WIRE		
(TAIWAN TAIPEI) TEL: (886)2-2223-1500 FAX: (886)2-2222-4646	EDITION	1.0		
(CHINA DONGGUAN) TEL: (86)769-7730-785 FAX: (86)769-7312-387	DATE	2003/2/28	UNIT	MM
(CHINA SUZHOU) TEL: (86)512-6621-0580 FAX: (86)512-6621-0685	SCALE	2/1		

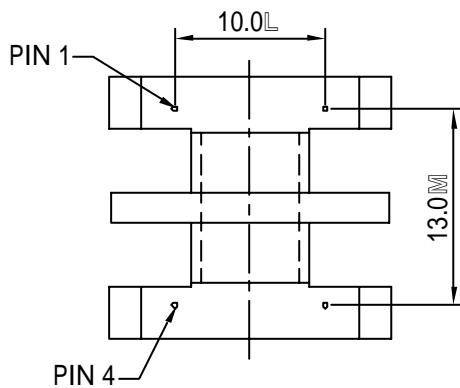
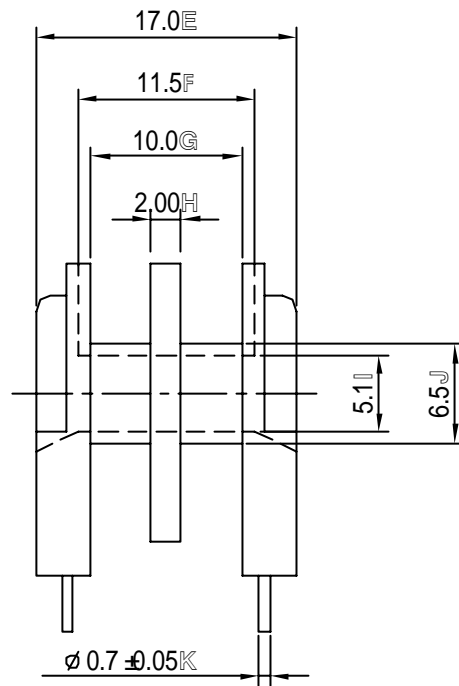
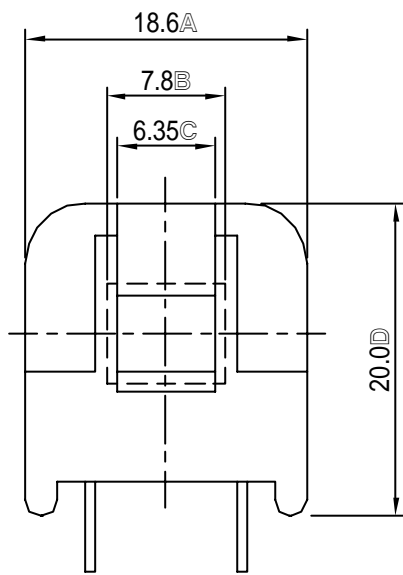
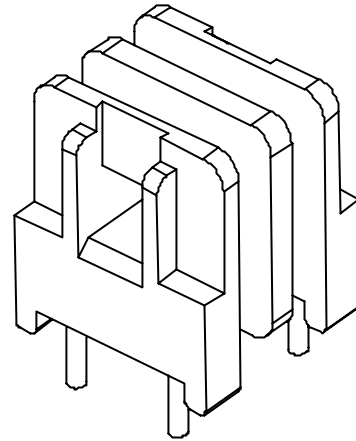
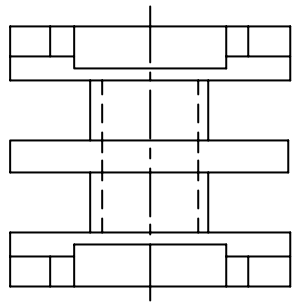
-D17-UU15.7-P03-



REVISIONS				
ISSUE	SYM	DATE	DRAFTER	CHECKER
NOTE:				

 <b>樹林企業股份有限公司</b> TAIWAN SHULIN ENTERPRISE CO., LTD	MODEL		TF-1502	
	MATERIAL		PBT	
WEB:www.bobbin.com.tw	UL RATING	UL94V-0	TOLERANCE	
e-mail:shulin@bobbin.com.tw	PIN MATERIAL	CP WIRE		
(TAIWAN TAIPEI) TEL:(886)2-2223-1500 FAX:(886)2-2222-4646	EDITION	2.0		
(CHINA DONGGUAN) TEL:(86)769-7730-785 FAX:(86)769-7312-387	DATE	2002/8/15	.X $\pm 0.2$	
(CHINA SUZHOU) TEL:(86)512-6621-0580 FAX:(86)512-6621-0685	SCALE	2/1	.XX $\pm 0.15$	
			UNIT	MM

-D17-UU15.7-P04-

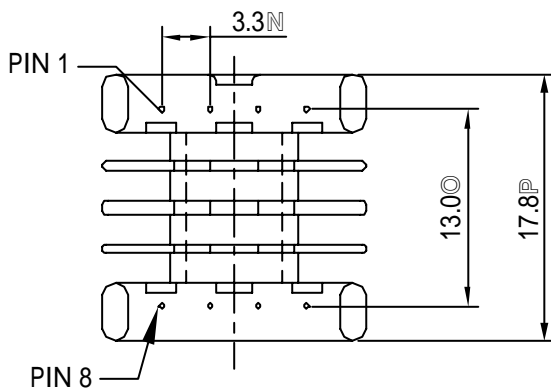
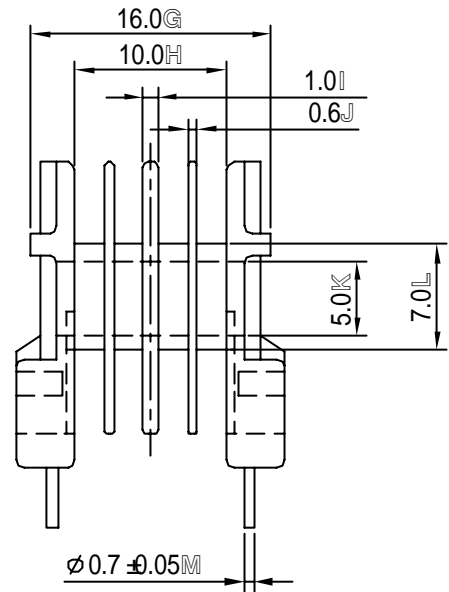
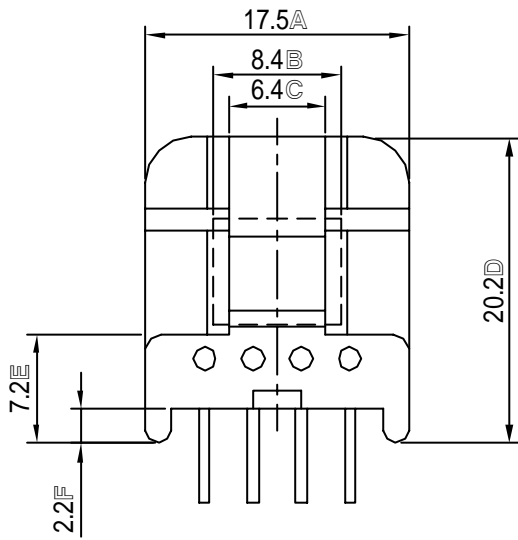
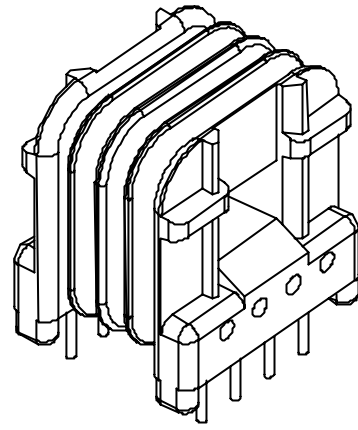
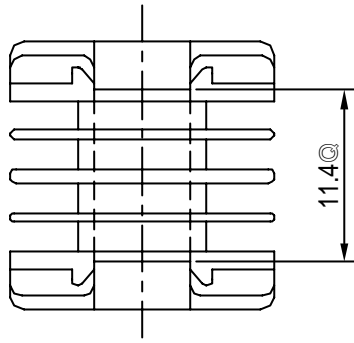


REVISIONS				
ISSUE	SYM	DATE	DRAFTER	CHECKER
NOTE:				

 <b>樹林企業股份有限公司</b> TAIWAN SHULIN ENTERPRISE CO., LTD	MODEL		TF-1502-1	
	MATERIAL		PHENOLIC	
WEB: www.bobbin.com.tw	UL RATING	UL94V-0	TOLERANCE .X $\pm 0.2$ .XX $\pm 0.15$ PIN PITCH $\pm 0.1$	
e-mail: shulin@bobbin.com.tw	PIN MATERIAL	CP WIRE		
(TAIWAN TAIPEI) TEL: (886)2-2223-1500 FAX: (886)2-2222-4646	EDITION	2.0		
(CHINA DONGGUAN) TEL: (86)769-7730-785 FAX: (86)769-7312-387	DATE	2002/8/15	UNIT	MM
(CHINA SUZHOU) TEL: (86)512-6621-0580 FAX: (86)512-6621-0685	SCALE	2/1		

-D17-UU15.7-P05-

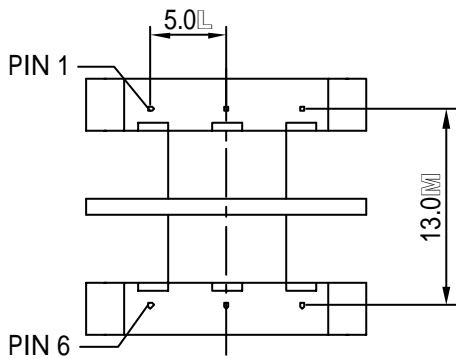
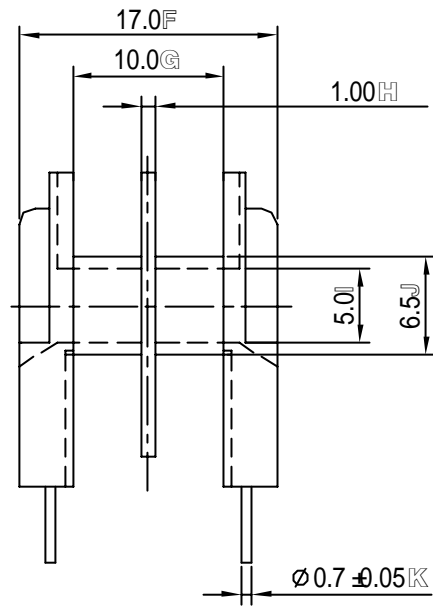
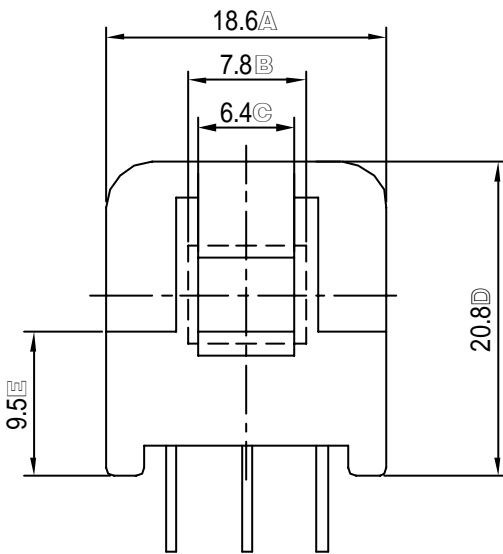
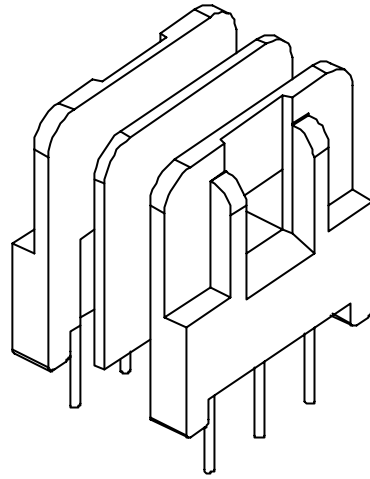
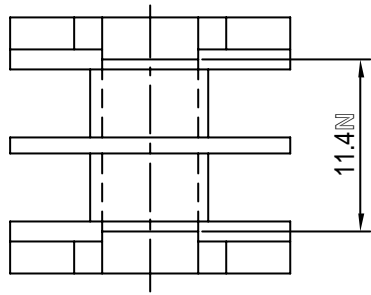
本图面版权属台湾树林，本人仅将其汇总。不承担任何法律责任！！QQ: 195502110



REVISIONS				
ISSUE	SYM	DATE	DRAFTER	CHECKER
NOTE:				

 <b>樹林企業股份有限公司</b> TAIWAN SHULIN ENTERPRISE CO., LTD	MODEL		TF-1503	
	MATERIAL		PBT	
WEB: www.bobbin.com.tw	UL RATING	UL94V-0	TOLERANCE .X $\pm 0.2$ .XX $\pm 0.15$ PIN PITCH $\pm 0.1$	
e-mail: shulin@bobbin.com.tw	PIN MATERIAL	CP WIRE		
(TAIWAN TAIPEI) TEL: (886)2-2223-1500 FAX: (886)2-2222-4646	EDITION	2.0A		
(CHINA DONGGUAN) TEL: (86)769-7730-785 FAX: (86)769-7312-387	DATE	2003/10/31	UNIT	MM
(CHINA SUZHOU) TEL: (86)512-6621-0580 FAX: (86)512-6621-0685	SCALE	2/1		

-D17-UU15.7-P06-



REVISIONS				
ISSUE	SYM	DATE	DRAFTER	CHECKER
NOTE:				



**樹林企業股份有限公司**  
TAIWAN SHULIN ENTERPRISE CO., LTD

MODEL

TF-1504

MATERIAL

PHENOLIC

WEB: [www.bobbin.com.tw](http://www.bobbin.com.tw)

UL RATING

UL94V-0

TOLERANCE

e-mail: [shulin@bobbin.com.tw](mailto:shulin@bobbin.com.tw)

PIN MATERIAL

CP WIRE

.X  $\pm 0.2$

(TAIWAN TAIPEI) TEL: (886)2-2223-1500 FAX: (886)2-2222-4646

EDITION

2.0A

.XX  $\pm 0.15$

(CHINA DONGGUAN) TEL: (86)769-7730-785 FAX: (86)769-7312-387

DATE

2003/10/31

PIN PITCH  $\pm 0.1$

(CHINA SUZHOU) TEL: (86)512-6621-0580 FAX: (86)512-6621-0685

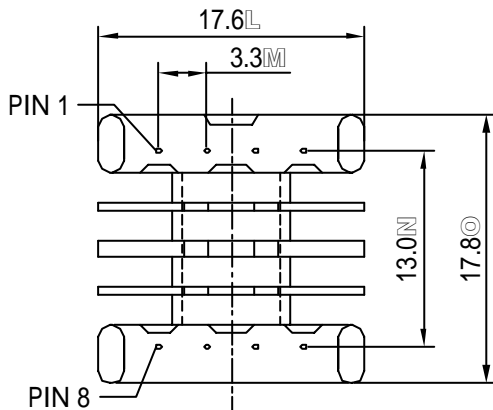
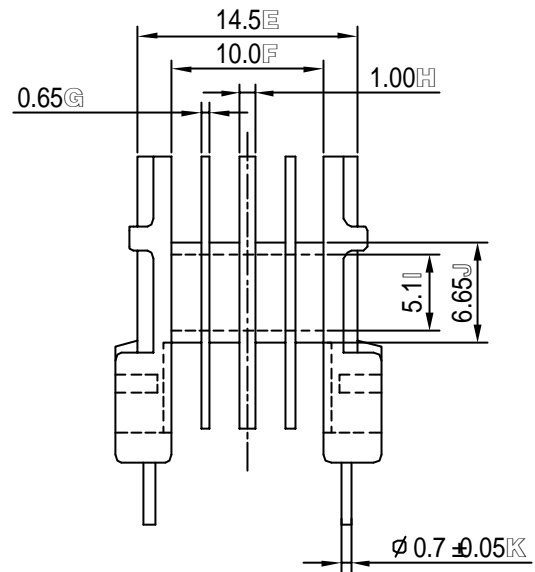
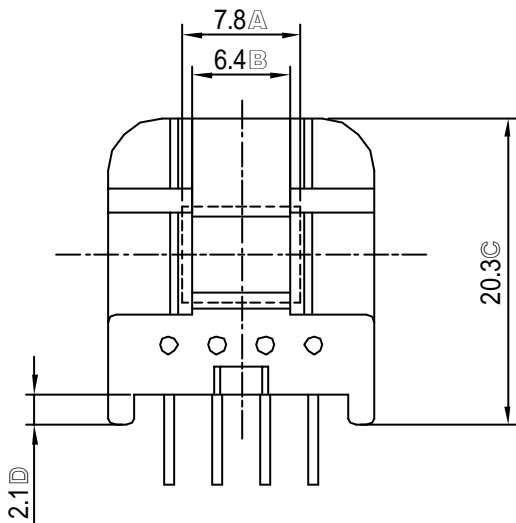
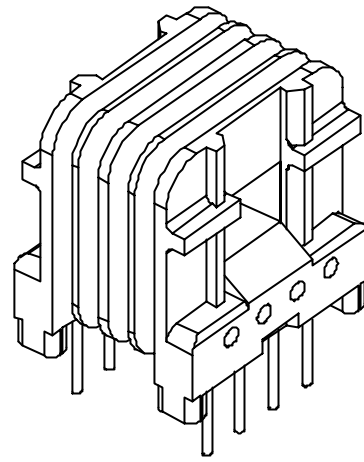
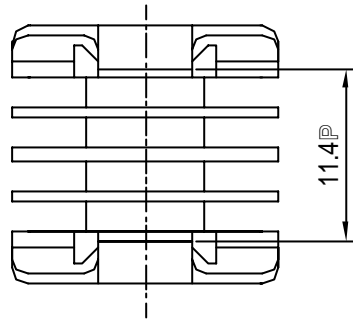
SCALE

2/1

UNIT

MM

-D17-UU15.7-P07-

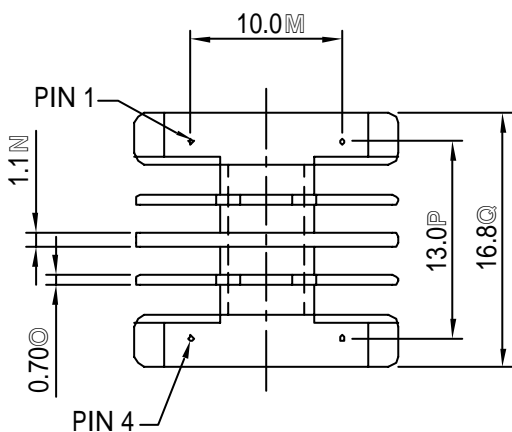
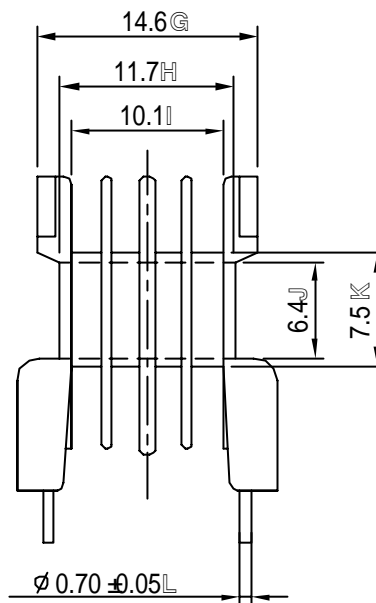
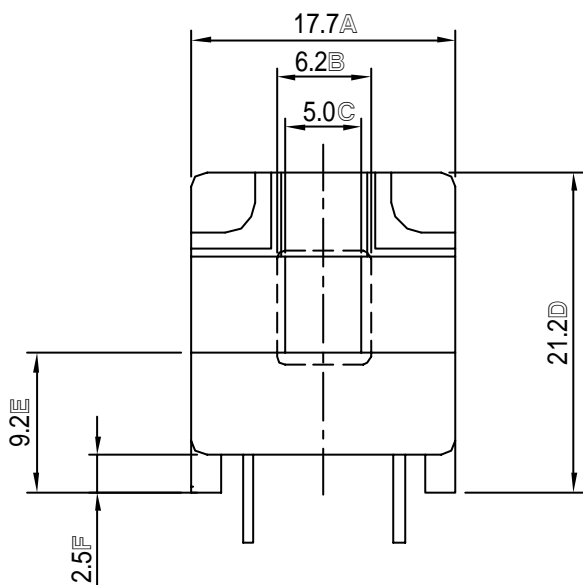
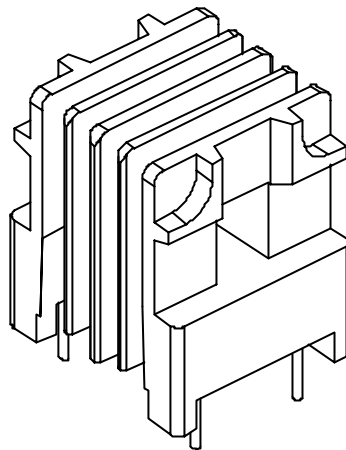
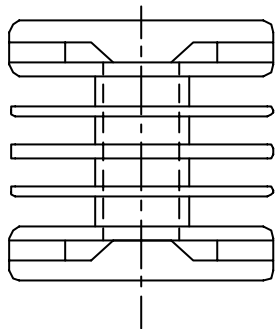


REVISIONS				
ISSUE	SYM	DATE	DRAFTER	CHECKER
NOTE:				

 <b>樹林企業股份有限公司</b> TAIWAN SHULIN ENTERPRISE CO., LTD	MODEL		TF-1505	
	MATERIAL		PHENOLIC	
WEB:www.bobbin.com.tw	UL RATING	UL94V-0	TOLERANCE	
e-mail:shulin@bobbin.com.tw	PIN MATERIAL	CP WIRE		
(TAIWAN TAIPEI) TEL:(886)2-2223-1500 FAX:(886)2-2222-4646	EDITION	2.0A		
(CHINA DONGGUAN) TEL:(86)769-7730-785 FAX:(86)769-7312-387	DATE	2003/10/31	.X $\pm 0.2$	
(CHINA SUZHOU) TEL:(86)512-6621-0580 FAX:(86)512-6621-0685	SCALE	2/1	.XX $\pm 0.15$	
			PIN PITCH	$\pm 0.1$
			UNIT	MM

-D17-UU15.7-P08-

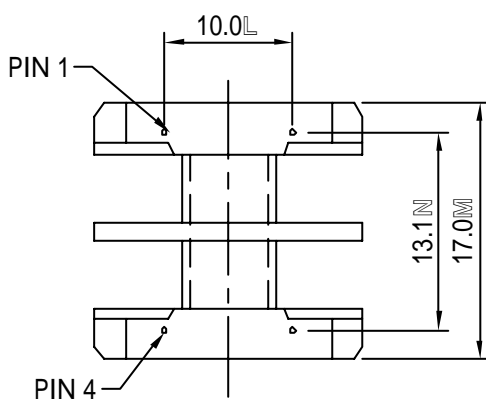
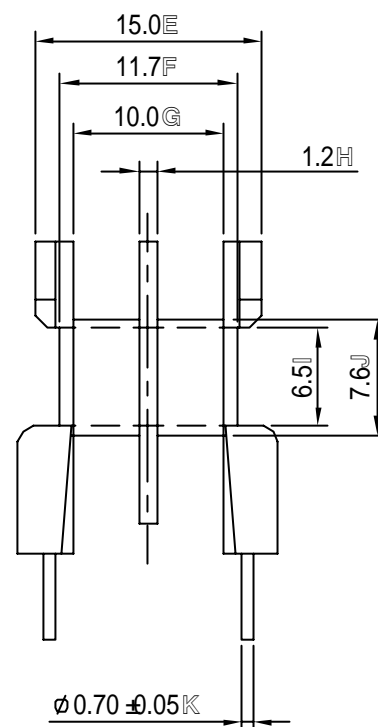
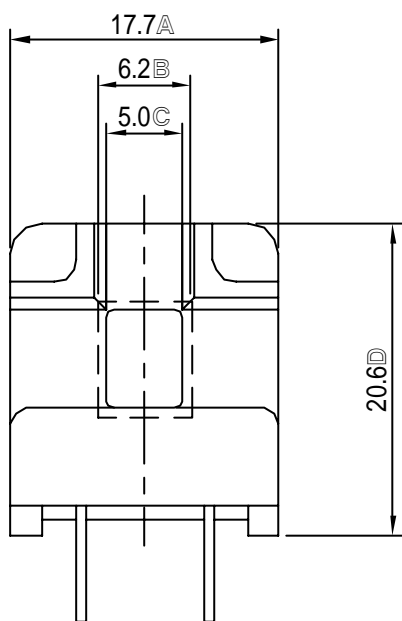
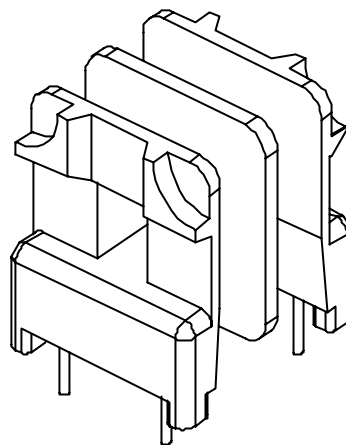
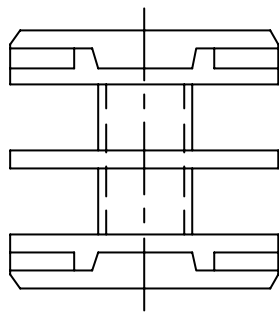




REVISIONS				
ISSUE	SYM	DATE	DRAFTER	CHECKER
NOTE:				

 <b>樹林企業股份有限公司</b> TAIWAN SHULIN ENTERPRISE CO., LTD	MODEL		TF-1506	
	MATERIAL		PHENOLIC	
WEB:www.bobbin.com.tw	UL RATING	UL94V-0	TOLERANCE .X $\pm 0.2$ .XX $\pm 0.15$ PIN PITCH $\pm 0.1$	
e-mail:shulin@bobbin.com.tw	PIN MATERIAL	CP WIRE		
(TAIWAN TAIPEI) TEL:(886)2-2223-1500 FAX:(886)2-2222-4646	EDITION	2.0		
(CHINA DONGGUAN) TEL:(86)769-7730-785 FAX:(86)769-7312-387	DATE	2002/8/15	UNIT	MM
(CHINA SUZHOU) TEL:(86)512-6621-0580 FAX:(86)512-6621-0685	SCALE	2/1		

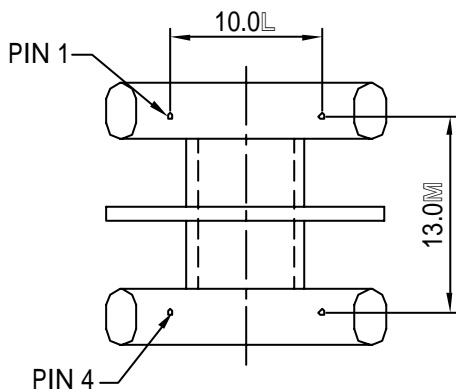
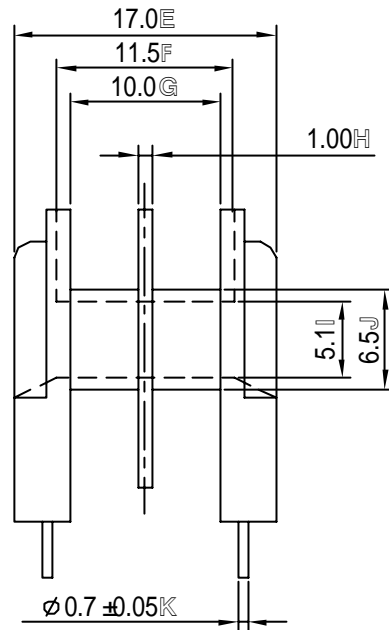
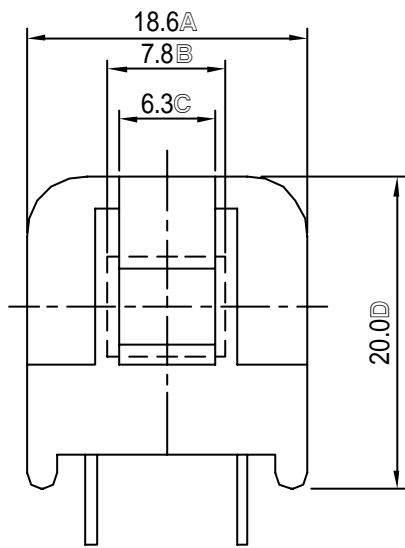
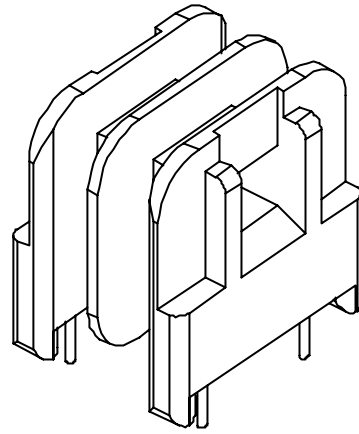
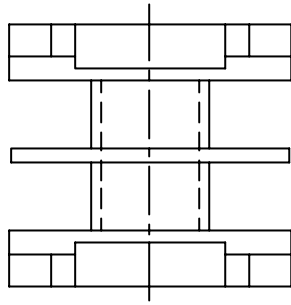
-D17-UU15.7-P09-



REVISIONS				
ISSUE	SYM	DATE	DRAFTER	CHECKER
NOTE:				

 <b>樹林企業股份有限公司</b> TAIWAN SHULIN ENTERPRISE CO., LTD	MODEL		TF-1507	
	MATERIAL		PHENOLIC	
WEB:www.bobbin.com.tw	UL RATING	UL94V-0	TOLERANCE  .X $\pm 0.2$ .XX $\pm 0.15$ PIN PITCH $\pm 0.1$	
e-mail:shulin@bobbin.com.tw	PIN MATERIAL	CP WIRE		
(TAIWAN TAIPEI) TEL:(886)2-2223-1500 FAX:(886)2-2222-4646	EDITION	2.0		
(CHINA DONGGUAN) TEL:(86)769-7730-785 FAX:(86)769-7312-387	DATE	2002/8/15		
(CHINA SUZHOU) TEL:(86)512-6621-0580 FAX:(86)512-6621-0685	SCALE	2/1	UNIT	MM

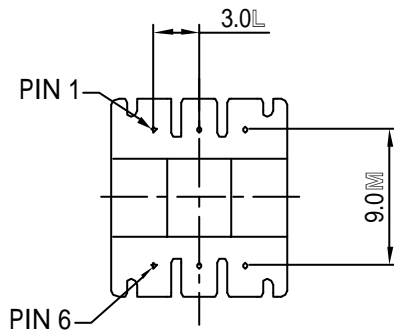
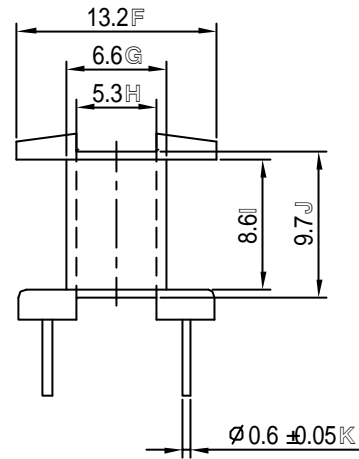
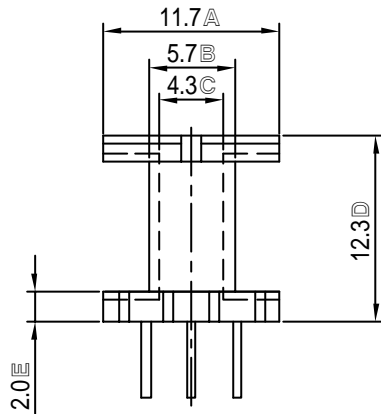
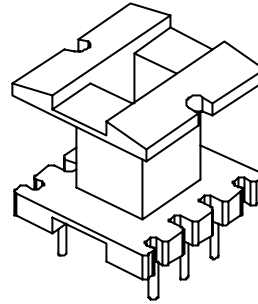
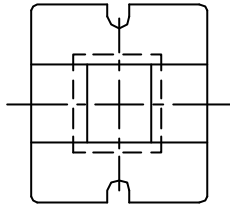
-D17-UU15.7-P10-



REVISIONS				
ISSUE	SYM	DATE	DRAFTER	CHECKER
NOTE:				

 <b>樹林企業股份有限公司</b> TAIWAN SHULIN ENTERPRISE CO., LTD	MODEL		TF-1508	
	MATERIAL		PHENOLIC	
WEB:www.bobbin.com.tw	UL RATING	UL94V-0	TOLERANCE .X $\pm 0.2$ .XX $\pm 0.15$ PIN PITCH $\pm 0.1$	
e-mail:shulin@bobbin.com.tw	PIN MATERIAL	CP WIRE		
(TAIWAN TAIPEI) TEL:(886)2-2223-1500 FAX:(886)2-2222-4646	EDITION	2.0		
(CHINA DONGGUAN) TEL:(86)769-7730-785 FAX:(86)769-7312-387	DATE	2002/8/15	UNIT	MM
(CHINA SUZHOU) TEL:(86)512-6621-0580 FAX:(86)512-6621-0685	SCALE	2/1		

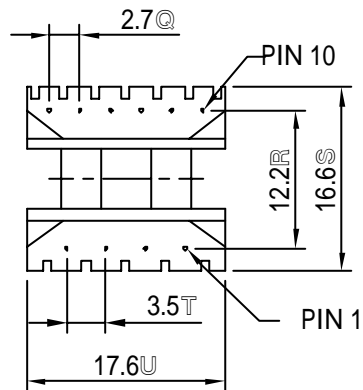
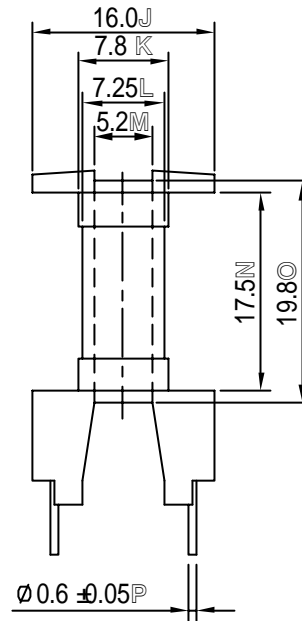
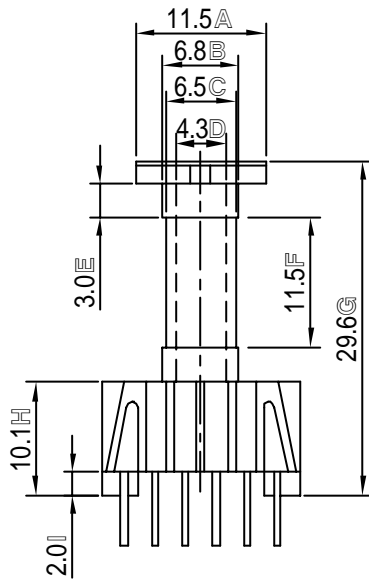
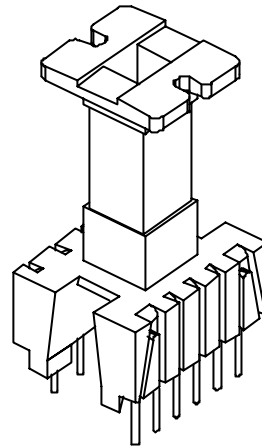
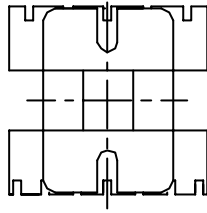
-D17-UU15.7-P11-



REVISIONS				
ISSUE	SYM	DATE	DRAFTER	CHECKER
NOTE:				

 <b>樹林企業股份有限公司</b> TAIWAN SHULIN ENTERPRISE CO., LTD	MODEL		TF-1601	
	MATERIAL		PHENOLIC	
WEB:www.bobbin.com.tw	UL RATING	UL94V-0	TOLERANCE  .X $\pm 0.2$ .XX $\pm 0.15$ PIN PITCH $\pm 0.1$	
e-mail:shulin@bobbin.com.tw	PIN MATERIAL	CP WIRE		
(TAIWAN TAIPEI) TEL:(886)2-2223-1500 FAX:(886)2-2222-4646	EDITION	2.0		
(CHINA DONGGUAN) TEL:(86)769-7730-785 FAX:(86)769-7312-387	DATE	2002/8/15		
(CHINA SUZHOU) TEL:(86)512-6621-0580 FAX:(86)512-6621-0685	SCALE	2/1	UNIT	MM

-D1-E16-P01 -



REVISIONS				
ISSUE	SYM	DATE	DRAFTER	CHECKER

NOTE:



樹林企業股份有限公司

TAIWAN SHULIN ENTERPRISE CO., LTD

WEB:www.bobbin.com.tw

e-mail:shulin@bobbin.com.tw

(TAIWAN TAIPEI) TEL:(886)2-2223-1500 FAX:(886)2-2222-4646

(CHINA DONGGUAN) TEL:(86)769-7730-785 FAX:(86)769-7312-387

(CHINA SUZHOU) TEL:(86)512-6621-0580 FAX:(86)512-6621-0685

MODEL

TF-1602

MATERIAL

PHENOLIC

UL RATING

UL94V-0

TOLERANCE

PIN MATERIAL

CP WIRE

.X ±0.2

.XX ±0.15

EDITION

2.0

PIN PITCH ±0.1

DATE

2002/8/15

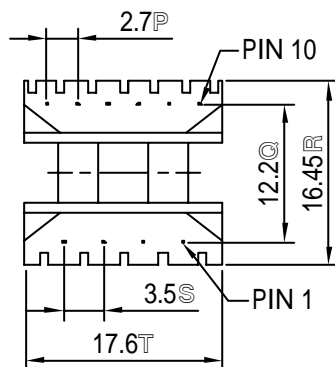
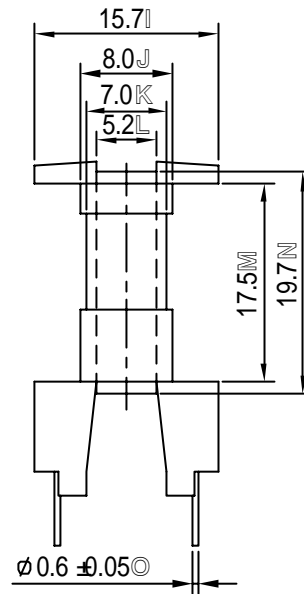
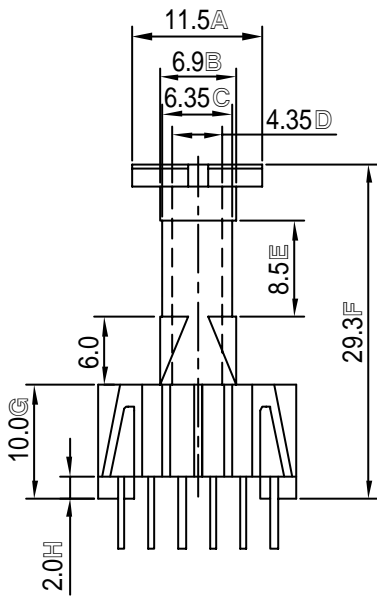
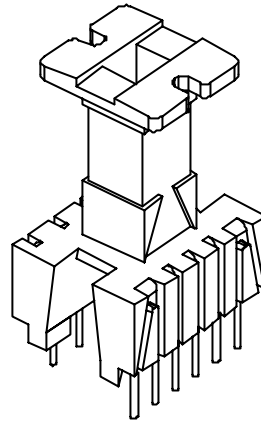
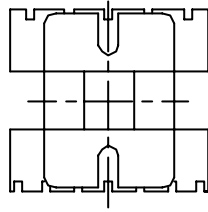
SCALE

1.5/1

UNIT

MM

-D1-E16-P02 -



REVISIONS				
ISSUE	SYM	DATE	DRAFTER	CHECKER

NOTE:

 樹林企業股份有限公司  
TAIWAN SHULIN ENTERPRISE CO., LTD

MODEL

TF-1602-1

MATERIAL

PHENOLIC

WEB:www.bobbin.com.tw

UL RATING

UL94V-0

TOLERANCE

e-mail:shulin@bobbin.com.tw

PIN MATERIAL

CP WIRE

.X  $\pm 0.2$

(TAIWAN TAIPEI) TEL:(886)2-2223-1500 FAX:(886)2-2222-4646

EDITION

2.0

.XX  $\pm 0.15$

(CHINA DONGGUAN) TEL:(86)769-7730-785 FAX:(86)769-7312-387

DATE

2002/8/15

PIN PITCH  $\pm 0.1$

(CHINA SUZHOU) TEL:(86)512-6621-0580 FAX:(86)512-6621-0685

SCALE

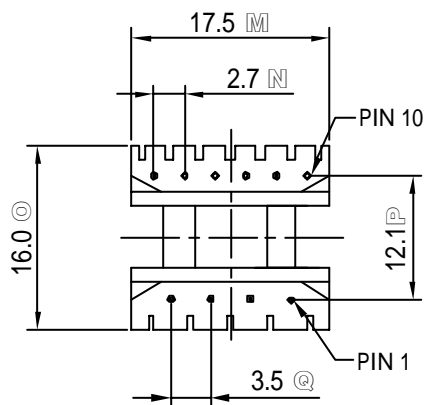
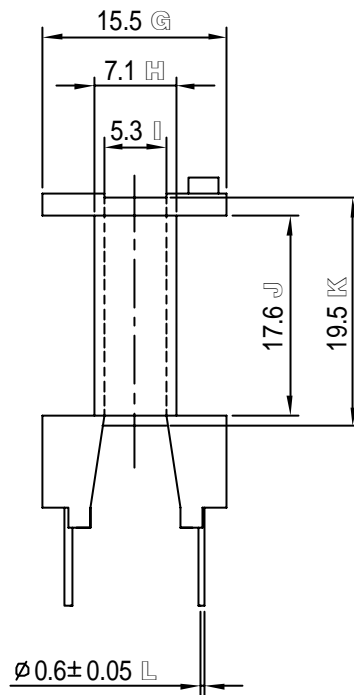
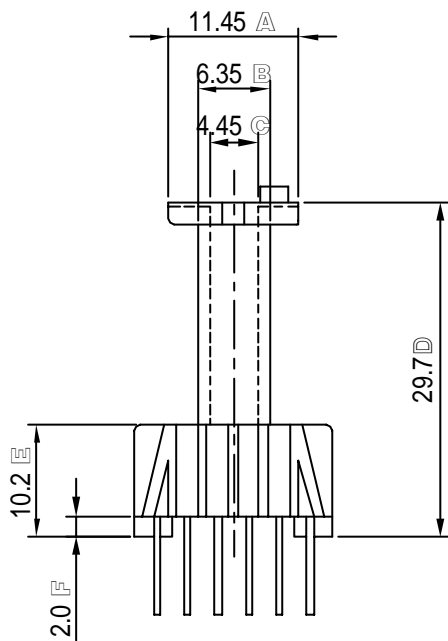
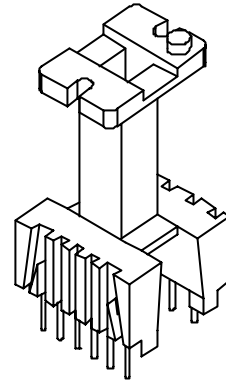
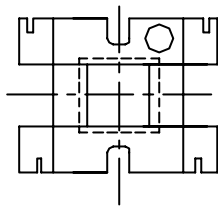
1.5/1

UNIT

MM

-D1-E16-P03 -

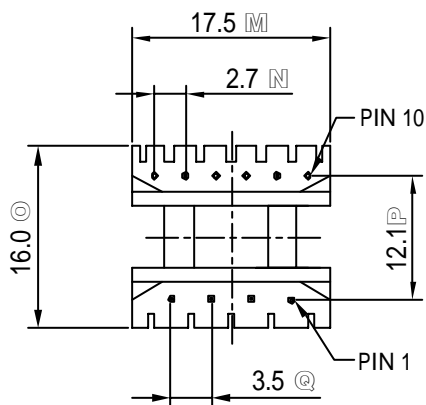
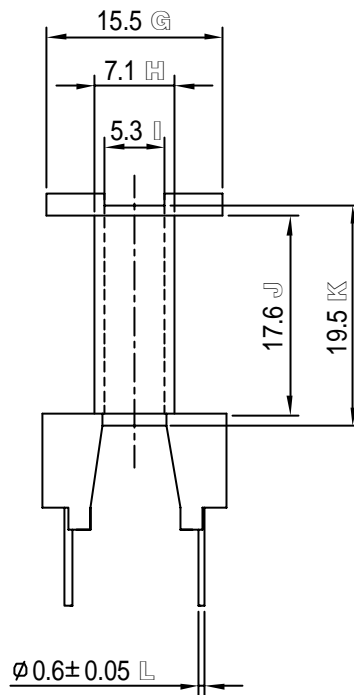
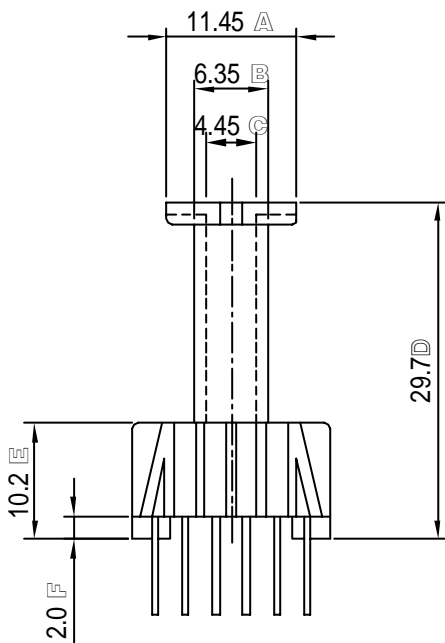
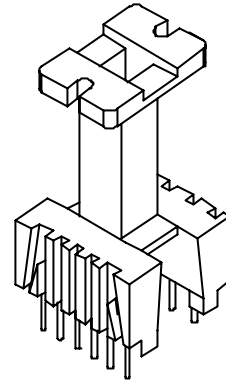
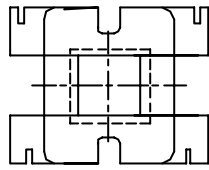
本图面版权属台湾树林，本人仅将其汇总。不承担任何法律责任！！QQ：195502110



REVISIONS				
ISSUE	SYM	DATE	DRAFTER	CHECKER
NOTE:				

 <b>樹林企業股份有限公司</b> TAIWAN SHULIN ENTERPRISE CO., LTD	MODEL		TF-1602-2	
	MATERIAL		PHENOLIC	
WEB: www.bobbin.com.tw	UL RATING	UL94V-0	TOLERANCE .X $\pm 0.2$ .XX $\pm 0.15$ PIN PITCH $\pm 0.1$	
e-mail: shulin@bobbin.com.tw	PIN MATERIAL	CP WIRE		
(TAIWAN TAIPEI) TEL: (886)2-2223-1500 FAX: (886)2-2222-4646	EDITION	2.0		
(CHINA DONGGUAN) TEL: (86)769-7730-785 FAX: (86)769-7312-387	DATE	2002/8/15		
(CHINA SUZHOU) TEL: (86)512-6621-0580 FAX: (86)512-6621-0685	SCALE	1.5/1	UNIT	MM

-D1-E16-P04 -

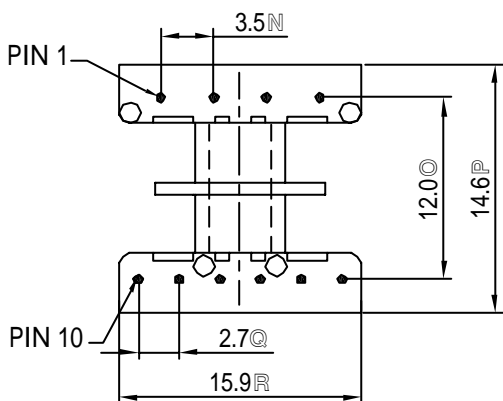
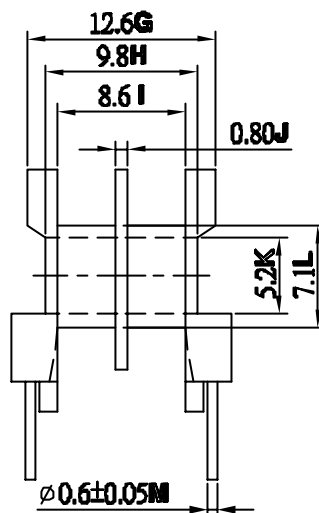
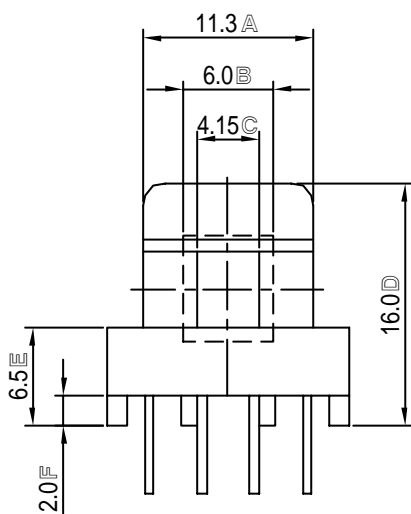
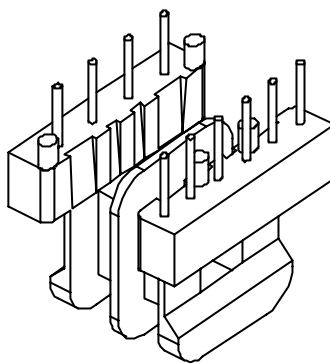
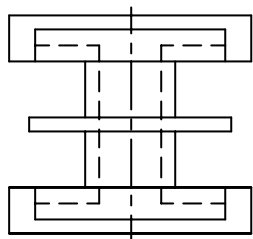


REVISIONS				
ISSUE	SYM	DATE	DRAFTER	CHECKER
NOTE:				

 <b>樹林企業股份有限公司</b> TAIWAN SHULIN ENTERPRISE CO., LTD	MODEL		TF-1602-3	
	MATERIAL		PHENOLIC	
WEB:www.bobbin.com.tw	UL RATING	UL94V-0	TOLERANCE  .X $\pm 0.2$ .XX $\pm 0.15$ PIN PITCH $\pm 0.1$	
e-mail:shulin@bobbin.com.tw	PIN MATERIAL	CP WIRE		
(TAIWAN TAIPEI) TEL:(886)2-2223-1500 FAX:(886)2-2222-4646	EDITION	2.0		
(CHINA DONGGUAN) TEL:(86)769-7730-785 FAX:(86)769-7312-387	DATE	2003/4/05		
(CHINA SUZHOU) TEL:(86)512-6621-0580 FAX:(86)512-6621-0685	SCALE	1.5/1	UNIT	MM

-D1-E16-P05 -





REVISIONS				
ISSUE	SYM	DATE	DRAFTER	CHECKER

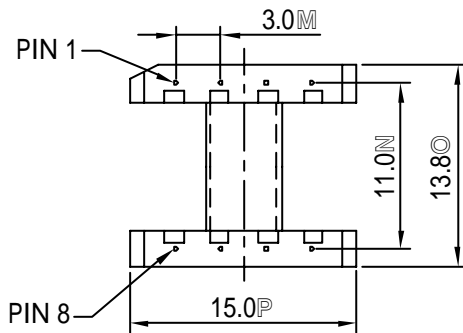
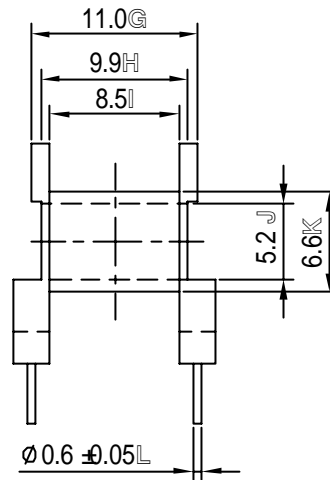
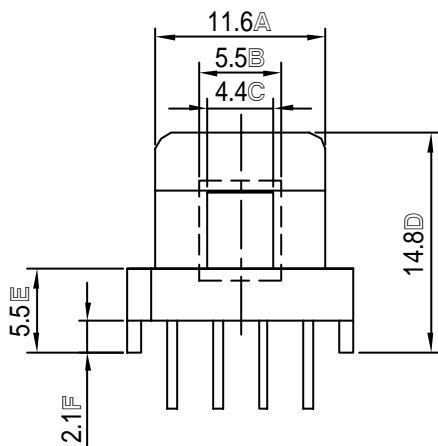
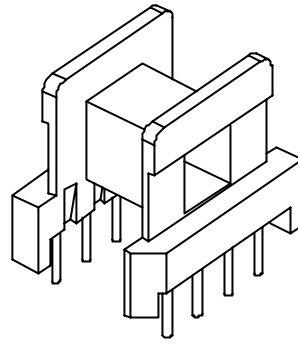
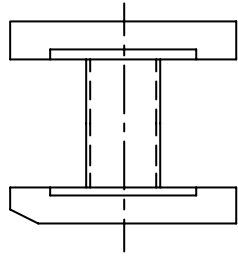
NOTE:

 **樹林企業股份有限公司**  
TAIWAN SHULIN ENTERPRISE CO., LTD

WEB: [www.bobbin.com.tw](http://www.bobbin.com.tw)  
e-mail: [shulin@bobbin.com.tw](mailto:shulin@bobbin.com.tw)  
(TAIWAN TAIPEI) TEL: (886)2-2223-1500 FAX: (886)2-2222-4646  
(CHINA DONGGUAN) TEL: (86)769-7730-785 FAX: (86)769-7312-387  
(CHINA SUZHOU) TEL: (86)512-6621-0580 FAX: (86)512-6621-0685

MODEL		TF-1603	
MATERIAL		PHENOLIC	
UL RATING	UL94V-0	TOLERANCE .X $\pm 0.2$ .XX $\pm 0.15$ PIN PITCH $\pm 0.1$	
PIN MATERIAL	CP WIRE		
EDITION	2.0		
DATE	2002/8/15	UNIT	MM
SCALE	2/1		

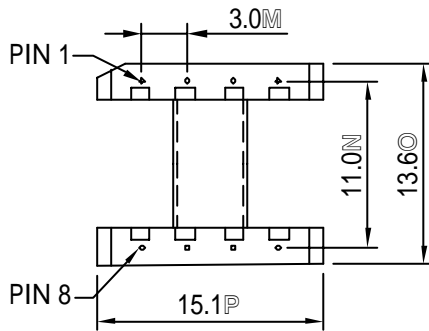
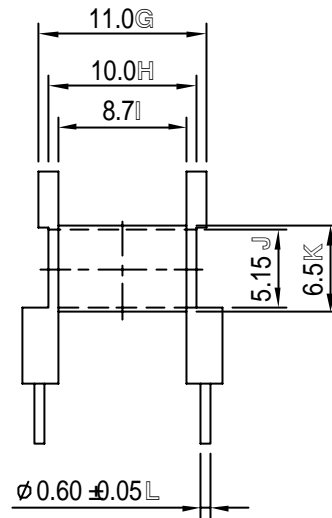
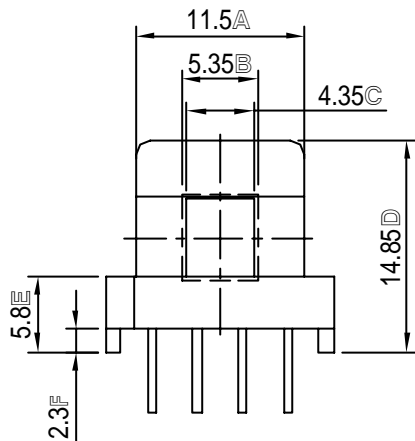
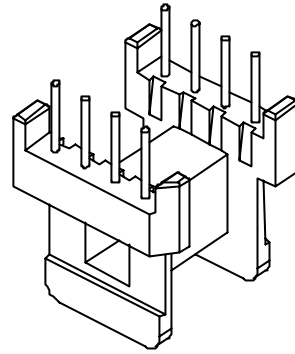
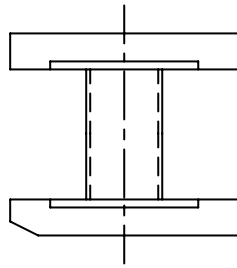
-D1-E16-P06 -



REVISIONS				
ISSUE	SYM	DATE	DRAFTER	CHECKER
NOTE:				

 <b>樹林企業股份有限公司</b> TAIWAN SHULIN ENTERPRISE CO., LTD	MODEL		TF-1604	
	MATERIAL		PHENOLIC	
WEB:www.bobbin.com.tw	UL RATING	UL94V-0	TOLERANCE  .X $\pm 0.2$ .XX $\pm 0.15$ PIN PITCH $\pm 0.1$	
e-mail:shulin@bobbin.com.tw	PIN MATERIAL	CP WIRE		
(TAIWAN TAIPEI) TEL:(886)2-2223-1500 FAX:(886)2-2222-4646	EDITION	2.0		
(CHINA DONGGUAN) TEL:(86)769-7730-785 FAX:(86)769-7312-387	DATE	2002/8/15		
(CHINA SUZHOU) TEL:(86)512-6621-0580 FAX:(86)512-6621-0685	SCALE	2/1	UNIT	MM

-D1-E16-P07 -



REVISIONS				
ISSUE	SYM	DATE	DRAFTER	CHECKER
NOTE:				



樹林企業股份有限公司

TAIWAN SHULIN ENTERPRISE CO., LTD

WEB: www.bobbin.com.tw

e-mail: shulin@bobbin.com.tw

(TAIWAN TAIPEI) TEL: (886)2-2223-1500 FAX: (886)2-2222-4646

(CHINA DONGGUAN) TEL: (86)769-7730-785 FAX: (86)769-7312-387

(CHINA SUZHOU) TEL: (86)512-6621-0580 FAX: (86)512-6621-0685

MODEL

TF-1604-1

MATERIAL

PHENOLIC

UL RATING

UL94V-0

PIN MATERIAL

CP WIRE

EDITION

2.0

DATE

2002/8/15

SCALE

2/1

TOLERANCE

.X  $\pm 0.2$

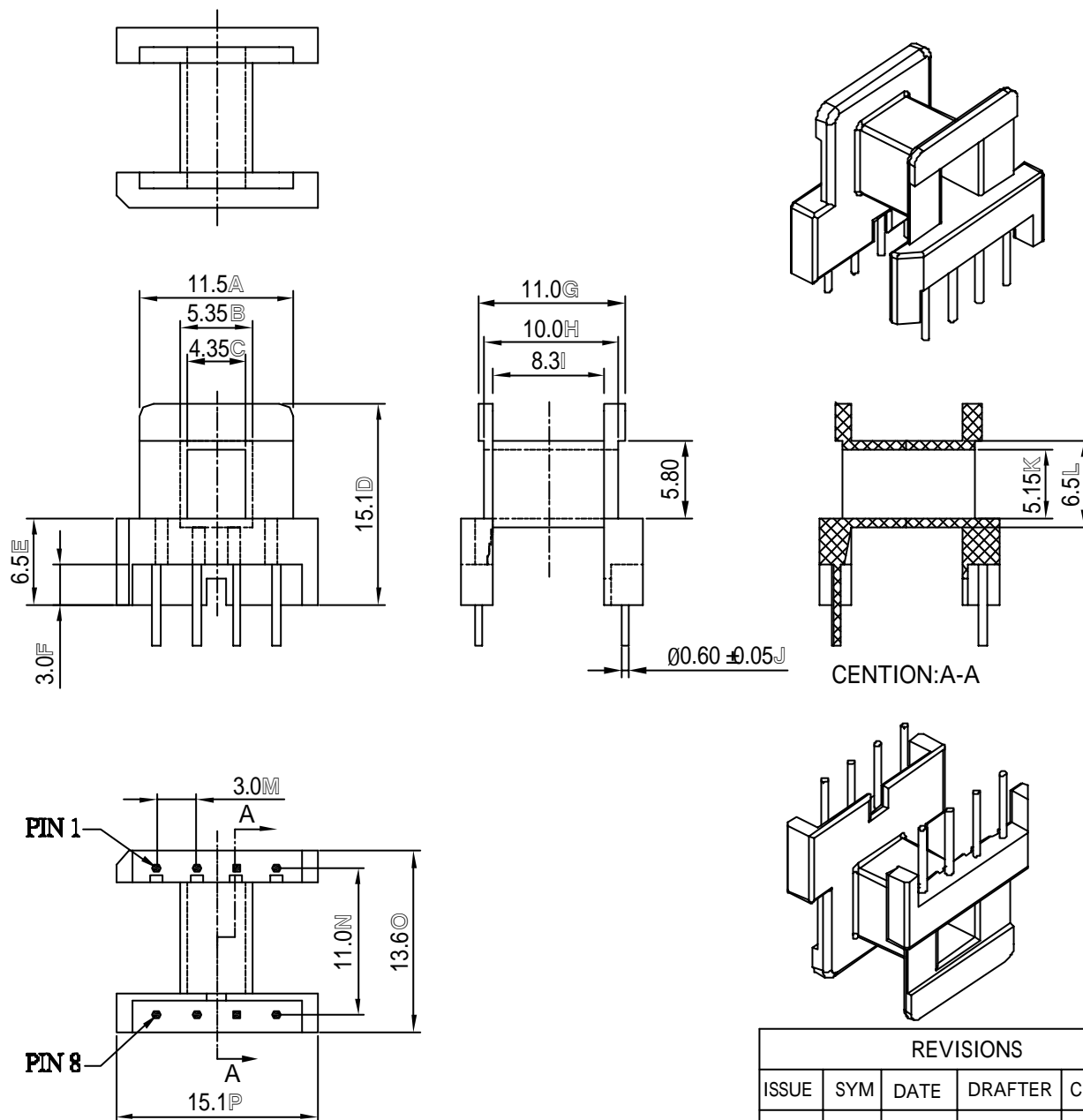
.XX  $\pm 0.15$

PIN PITCH  $\pm 0.1$


UNIT

MM

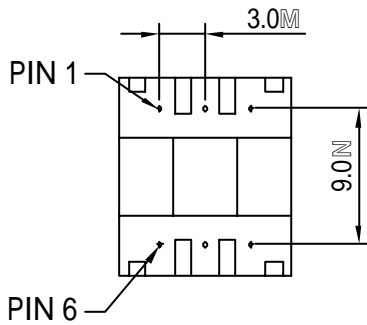
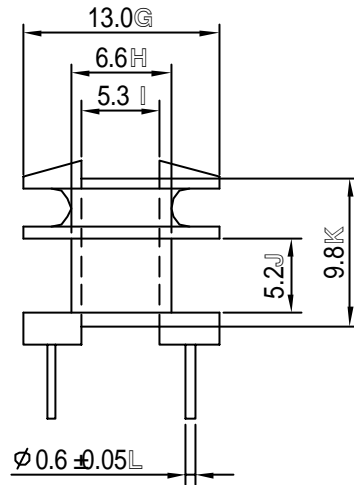
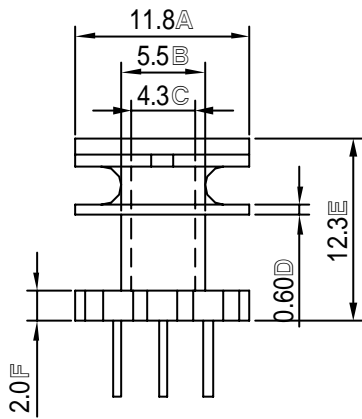
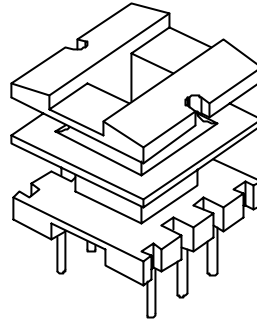
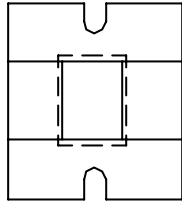
-D1-E16-P08 -



REVISIONS				
ISSUE	SYM	DATE	DRAFTER	CHECKER
NOTE:				

 <b>樹林企業股份有限公司</b> TAIWAN SHULIN ENTERPRISE CO., LTD	MODEL		TF-1604-2	
	MATERIAL		PHENOLIC	
WEB:www.bobbin.com.tw	UL RATING	UL94V-0	TOLERANCE  .X ±0.2 .XX ±0.15 PIN PITCH ±0.1	
e-mail:shulin@bobbin.com.tw	PIN MATERIAL	CP WIRE		
(TAIWAN TAIPEI) TEL:(886)2-2223-1500 FAX:(886)2-2222-4646	EDITION	1.0		
(CHINA DONGGUAN) TEL:(86)769-7730-785 FAX:(86)769-7312-387	DATE	2003/4/23		
(CHINA SUZHOU) TEL:(86)512-6621-0580 FAX:(86)512-6621-0685	SCALE	2/1	UNIT	MM

-D1-E16-P09 -



REVISIONS				
ISSUE	SYM	DATE	DRAFTER	CHECKER
NOTE:				



樹林企業股份有限公司

TAIWAN SHULIN ENTERPRISE CO., LTD

WEB: www.bobbin.com.tw

e-mail: shulin@bobbin.com.tw

(TAIWAN TAIPEI) TEL: (886)2-2223-1500 FAX: (886)2-2222-4646

(CHINA DONGGUAN) TEL: (86)769-7730-785 FAX: (86)769-7312-387

(CHINA SUZHOU) TEL: (86)512-6621-0580 FAX: (86)512-6621-0685

MODEL

TF-1605

MATERIAL

PHENOLIC

UL RATING

UL94V-0

PIN MATERIAL

CP WIRE

EDITION

2.0

DATE

2002/8/15

SCALE

2/1

TOLERANCE

.X  $\pm 0.2$

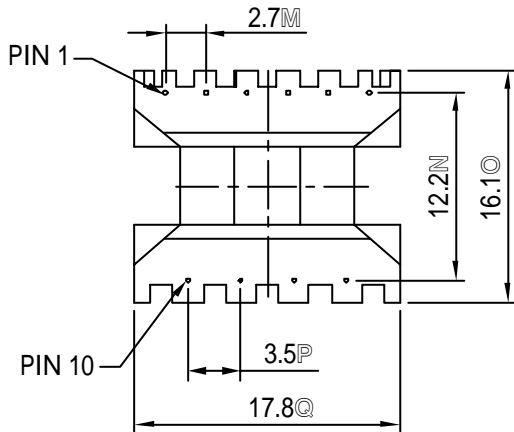
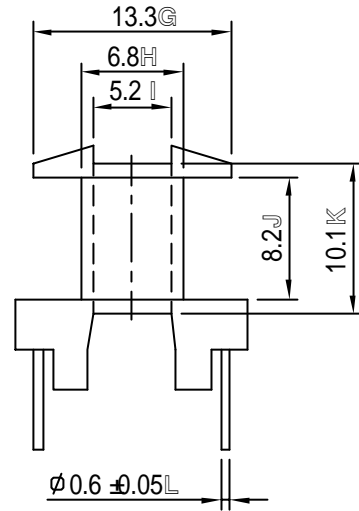
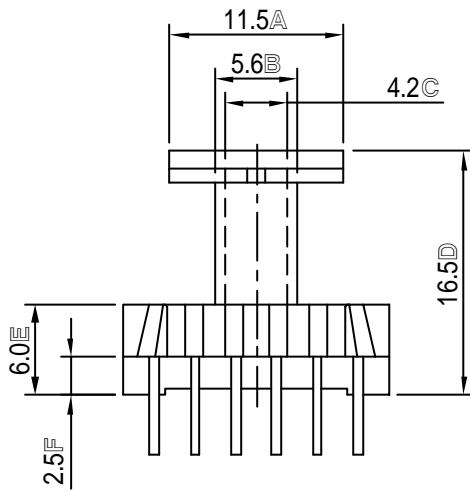
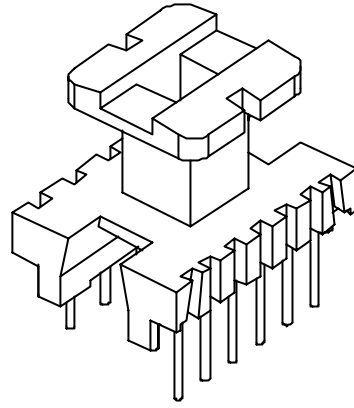
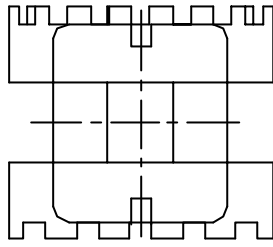
.XX  $\pm 0.15$

PIN PITCH  $\pm 0.1$

UNIT

MM

-D1-E16-P10 -



REVISIONS				
ISSUE	SYM	DATE	DRAFTER	CHECKER

NOTE:



樹林企業股份有限公司

TAIWAN SHULIN ENTERPRISE CO., LTD

WEB:www.bobbin.com.tw

e-mail:shulin@bobbin.com.tw

(TAIWAN TAIPEI) TEL:(886)2-2223-1500 FAX:(886)2-2222-4646

(CHINA DONGGUAN) TEL:(86)769-7730-785 FAX:(86)769-7312-387

(CHINA SUZHOU) TEL:(86)512-6621-0580 FAX:(86)512-6621-0685

MODEL

TF-1606

MATERIAL

PHENOLIC

UL RATING

UL94V-0

TOLERANCE

PIN MATERIAL

CP WIRE

.X  $\pm 0.2$

.XX  $\pm 0.15$

EDITION

2.0

DATE

2002/8/15

PIN PITCH  $\pm 0.1$

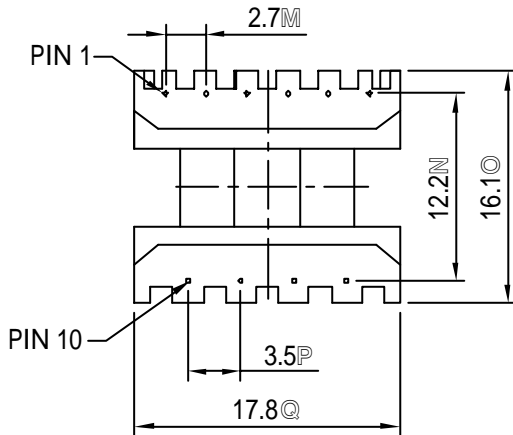
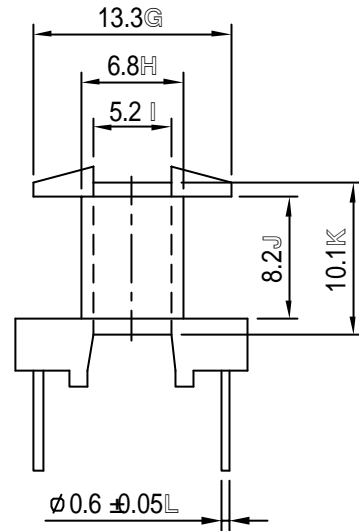
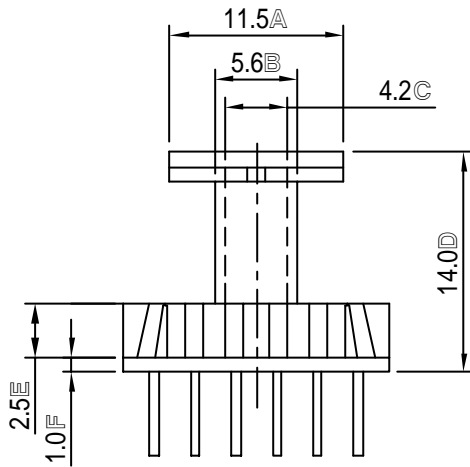
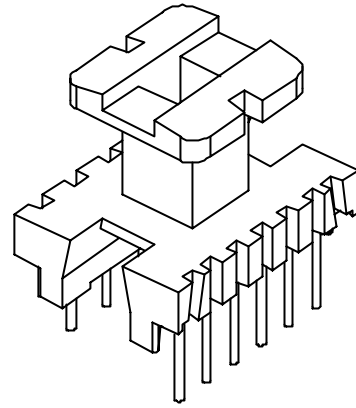
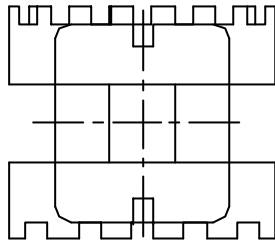
SCALE

2/1

UNIT

MM

-D1-E16-P11 -



REVISIONS				
ISSUE	SYM	DATE	DRAFTER	CHECKER
NOTE:				



樹林企業股份有限公司

TAIWAN SHULIN ENTERPRISE CO., LTD

WEB: www.bobbin.com.tw

e-mail: shulin@bobbin.com.tw

(TAIWAN TAIPEI) TEL: (886)2-2223-1500 FAX: (886)2-2222-4646

(CHINA DONGGUAN) TEL: (86)769-7730-785 FAX: (86)769-7312-387

(CHINA SUZHOU) TEL: (86)512-6621-0580 FAX: (86)512-6621-0685

MODEL

TF-1606-1

MATERIAL

PHENOLIC

UL RATING

UL94V-0

TOLERANCE

PIN MATERIAL

CP WIRE

.X ±0.2

EDITION

2.0

.XX ±0.15

DATE

2002/8/15

PIN PITCH ±0.1

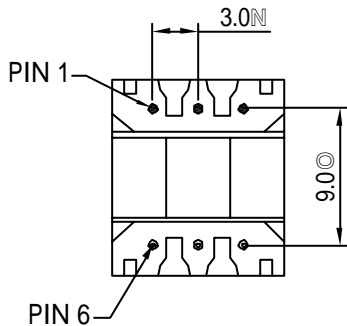
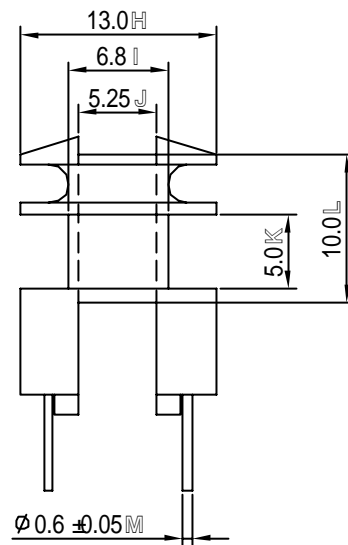
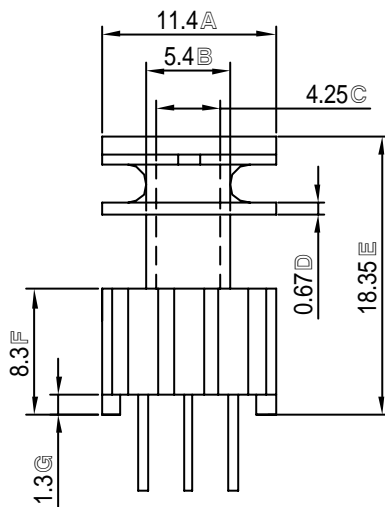
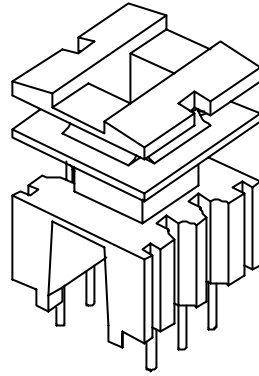
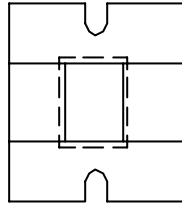
SCALE

2/1

UNIT

MM

-D1-E16-P12 -

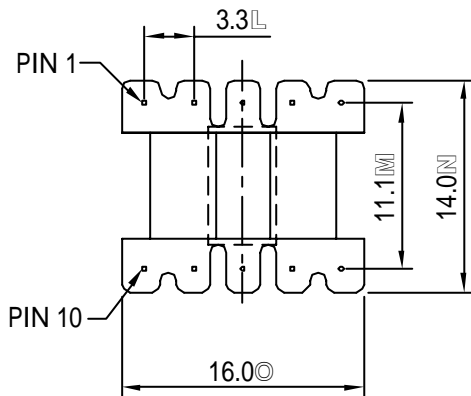
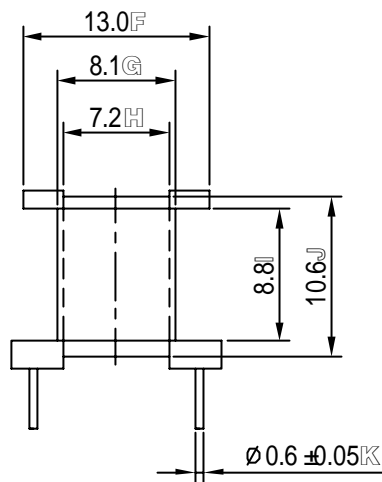
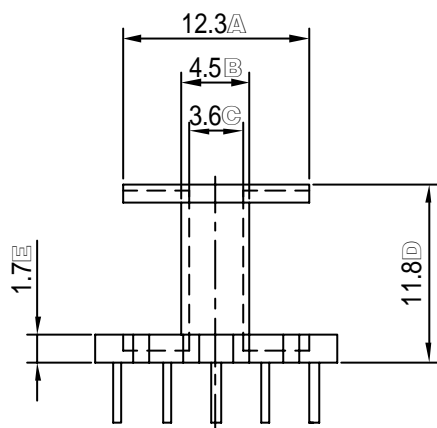
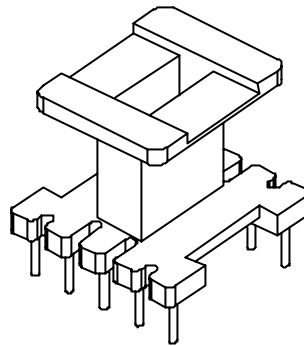
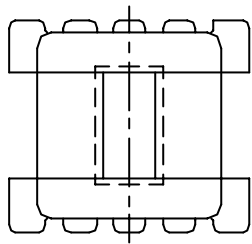


REVISIONS				
ISSUE	SYM	DATE	DRAFTER	CHECKER
NOTE:				

 <b>樹林企業股份有限公司</b> TAIWAN SHULIN ENTERPRISE CO., LTD	MODEL		TF-1607	
	MATERIAL		PHENOLIC	
WEB:www.bobbin.com.tw	UL RATING	UL94V-0	TOLERANCE .X $\pm 0.2$ .XX $\pm 0.15$ PIN PITCH $\pm 0.1$	
e-mail:shulin@bobbin.com.tw	PIN MATERIAL	CP WIRE		
(TAIWAN TAIPEI) TEL:(886)2-2223-1500 FAX:(886)2-2222-4646	EDITION	2.0		
(CHINA DONGGUAN) TEL:(86)769-7730-785 FAX:(86)769-7312-387	DATE	2002/8/15		
(CHINA SUZHOU) TEL:(86)512-6621-0580 FAX:(86)512-6621-0685	SCALE	2/1	UNIT	MM

-D1-E16-P13 -





REVISIONS				
ISSUE	SYM	DATE	DRAFTER	CHECKER
NOTE:				



樹林企業股份有限公司

TAIWAN SHULIN ENTERPRISE CO., LTD

WEB: www.bobbin.com.tw

e-mail: shulin@bobbin.com.tw

(TAIWAN TAIPEI) TEL: (886)2-2223-1500 FAX: (886)2-2222-4646

(CHINA DONGGUAN) TEL: (86)769-7730-785 FAX: (86)769-7312-387

(CHINA SUZHOU) TEL: (86)512-6621-0580 FAX: (86)512-6621-0685

MODEL

TF-1608

MATERIAL

PHENOLIC

UL RATING

UL94V-0

PIN MATERIAL

CP WIRE

EDITION

2.0

DATE

2002/8/15

SCALE

2/1

TOLERANCE

.X  $\pm 0.2$

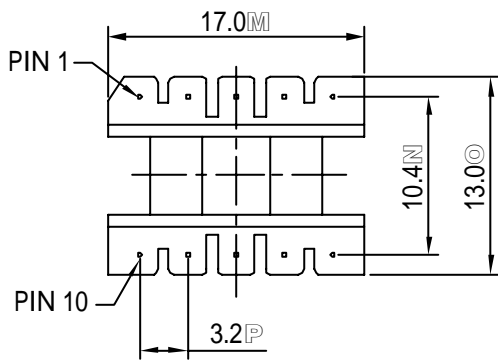
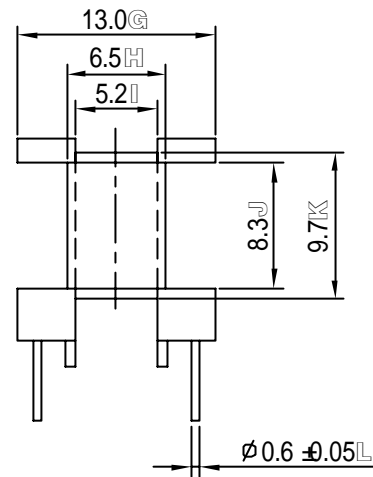
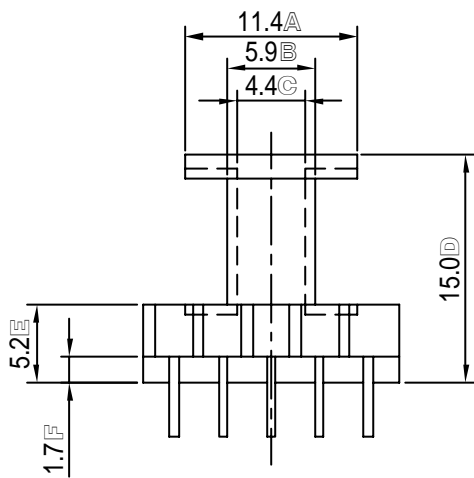
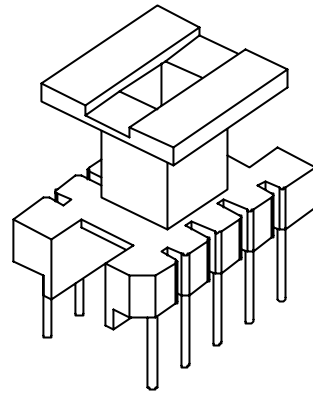
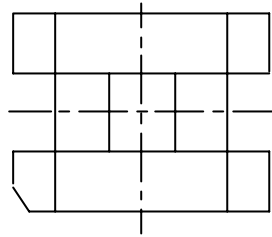
.XX  $\pm 0.15$

PIN PITCH  $\pm 0.1$

UNIT

MM

- D1-E16-P14 -



REVISIONS				
ISSUE	SYM	DATE	DRAFTER	CHECKER

NOTE:

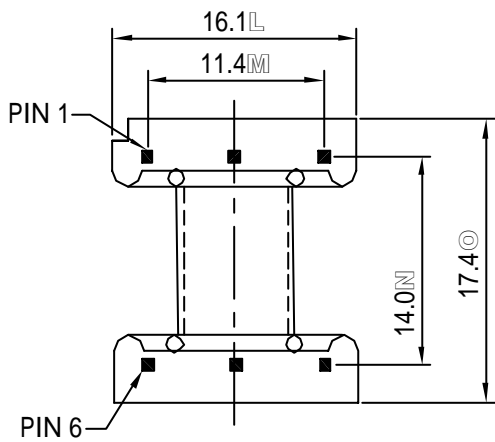
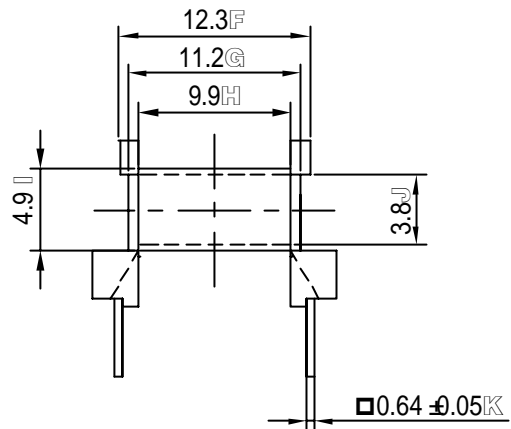
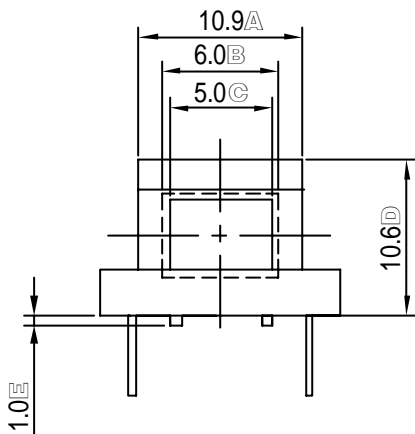
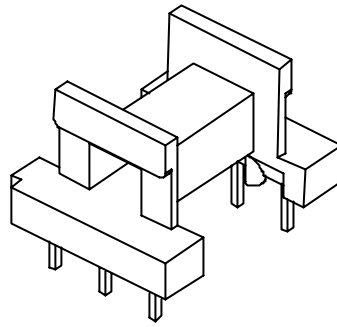
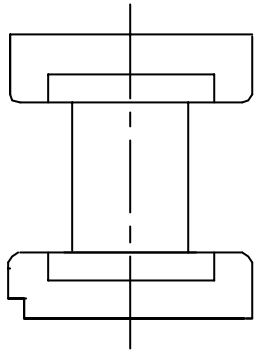


樹林企業股份有限公司

TAIWAN SHULIN ENTERPRISE CO., LTD

WEB:www.bobbin.com.tw	MODEL	TF-1609		
e-mail:shulin@bobbin.com.tw	MATERIAL	PHENOLIC		
(TAIWAN TAIPEI) TEL:(886)2-2223-1500 FAX:(886)2-2222-4646	UL RATING	UL94V-0	TOLERANCE .X $\pm 0.2$ .XX $\pm 0.15$ PIN PITCH $\pm 0.1$	
(CHINA DONGGUAN) TEL:(86)769-7730-785 FAX:(86)769-7312-387	PIN MATERIAL	CP WIRE		
(CHINA SUZHOU) TEL:(86)512-6621-0580 FAX:(86)512-6621-0685	EDITION	2.0		
	DATE	2002/8/15	UNIT	MM
	SCALE	2/1		

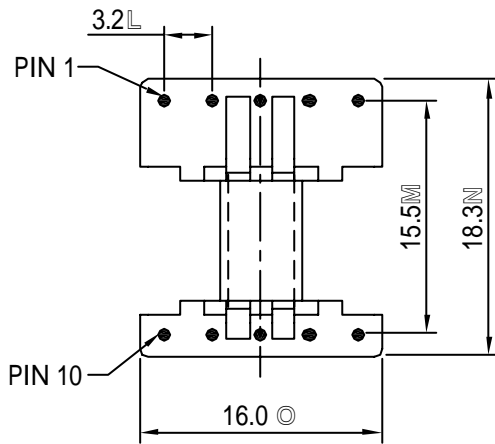
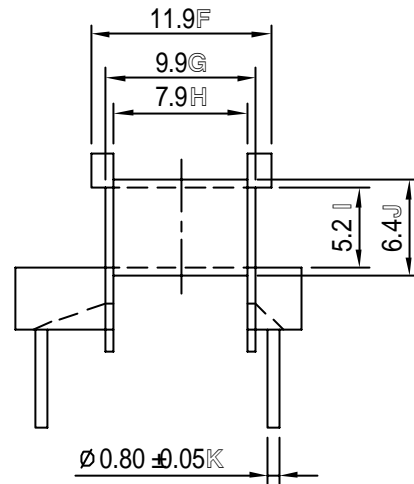
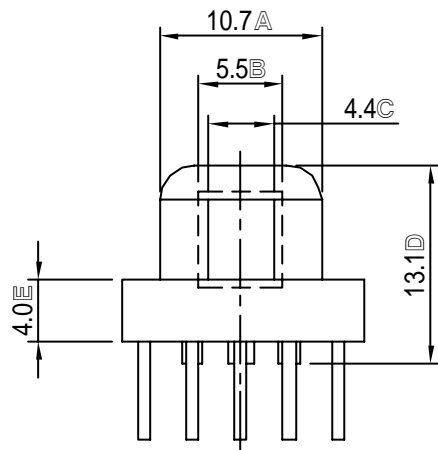
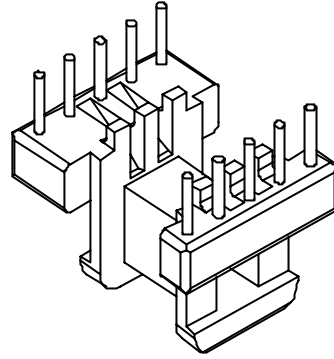
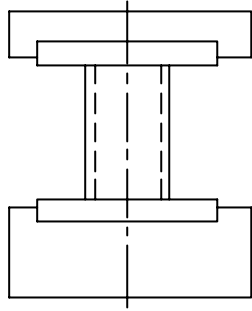
- D1-E16-P15 -



REVISIONS				
ISSUE	SYM	DATE	DRAFTER	CHECKER
NOTE:				

 <b>樹林企業股份有限公司</b> TAIWAN SHULIN ENTERPRISE CO., LTD	MODEL		TF-1610	
	MATERIAL		PHENOLIC	
WEB: www.bobbin.com.tw	UL RATING	UL94V-0	TOLERANCE .X ±0.2 .XX ±0.15 PIN PITCH ±0.1	
e-mail: shulin@bobbin.com.tw	PIN MATERIAL	CP WIRE		
(TAIWAN TAIPEI) TEL: (886)2-2223-1500 FAX: (886)2-2222-4646	EDITION	2.0		
(CHINA DONGGUAN) TEL: (86)769-7730-785 FAX: (86)769-7312-387	DATE	2002/8/15	UNIT	MM
(CHINA SUZHOU) TEL: (86)512-6621-0580 FAX: (86)512-6621-0685	SCALE	2/1		

-D1-E16-P16-



REVISIONS				
ISSUE	SYM	DATE	DRAFTER	CHECKER

NOTE:



**樹林企業股份有限公司**  
TAIWAN SHULIN ENTERPRISE CO., LTD

MODEL

TF-1613

MATERIAL

PHENOLIC

WEB: www.bobbin.com.tw

UL RATING

UL94V-0

TOLERANCE

e-mail: shulin@bobbin.com.tw

PIN MATERIAL

CP WIRE

.X  $\pm 0.2$

(TAIWAN TAIPEI) TEL: (886)2-2223-1500 FAX: (886)2-2222-4646

EDITION

2.0

.XX  $\pm 0.15$

(CHINA DONGGUAN) TEL: (86)769-7730-785 FAX: (86)769-7312-387

DATE

2002/8/15

PIN PITCH  $\pm 0.1$

(CHINA SUZHOU) TEL: (86)512-6621-0580 FAX: (86)512-6621-0685

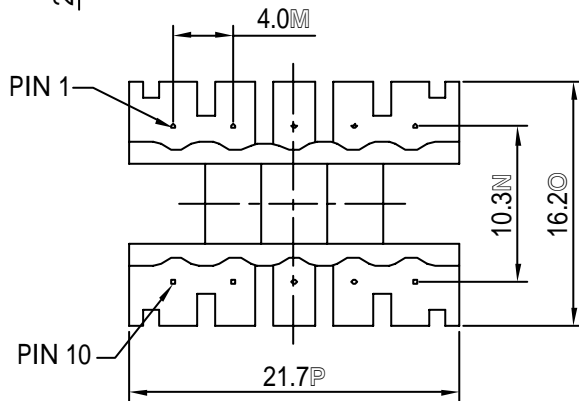
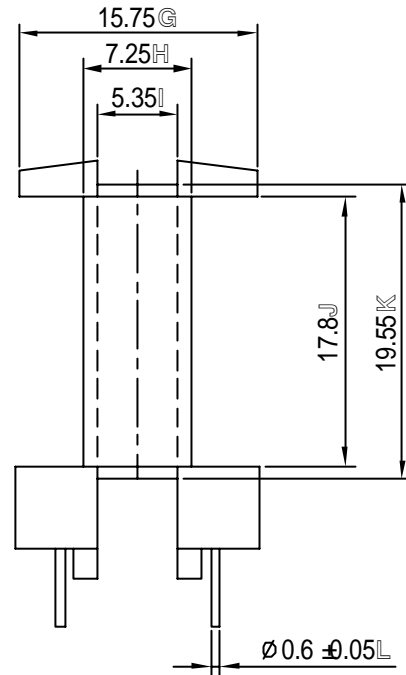
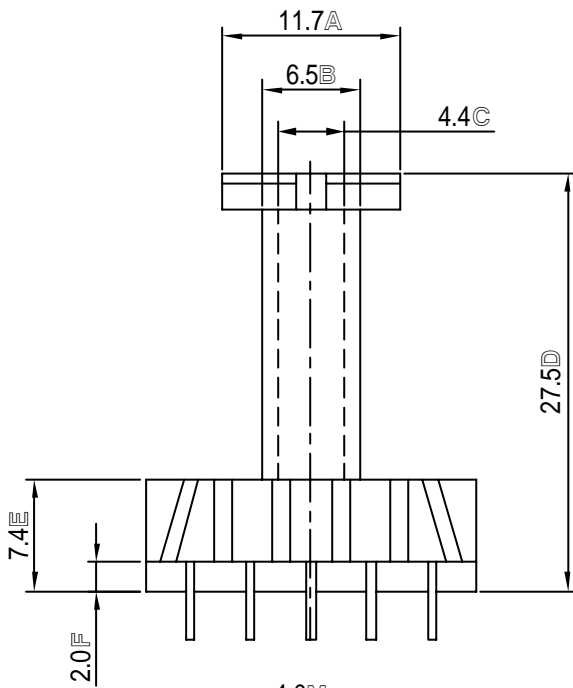
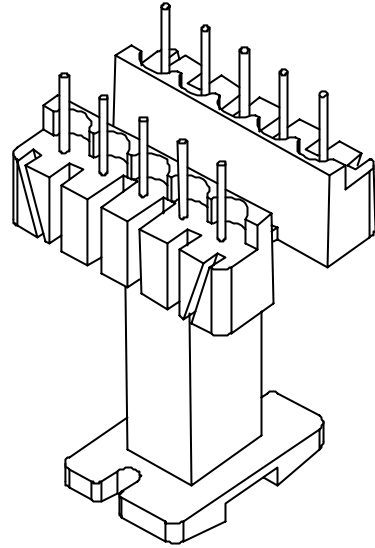
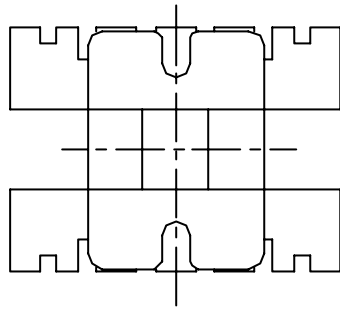
SCALE

2/1

UNIT

MM

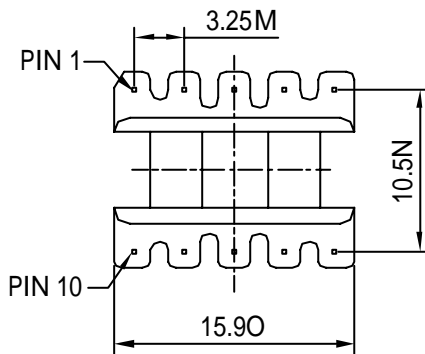
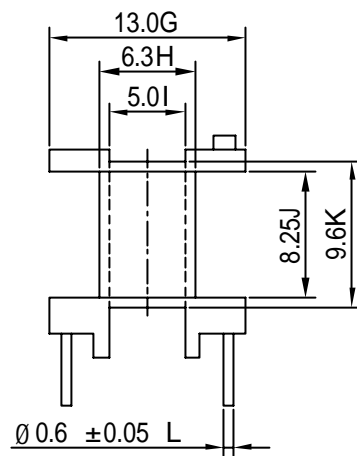
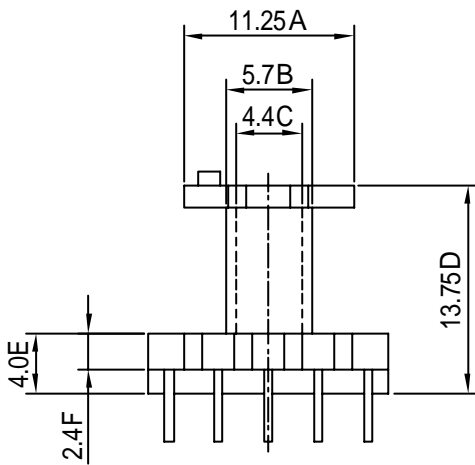
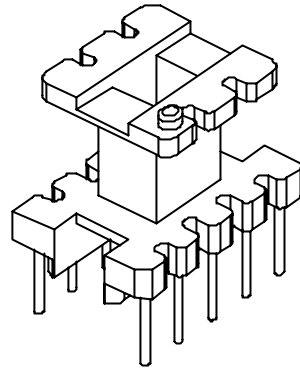
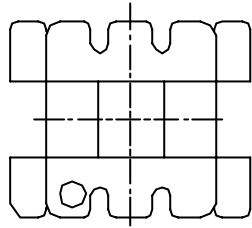
-D1-E16-P17 -



REVISIONS				
ISSUE	SYM	DATE	DRAFTER	CHECKER
NOTE:				

 <b>樹林企業股份有限公司</b> TAIWAN SHULIN ENTERPRISE CO., LTD	MODEL		TF-1614	
	MATERIAL		PHENOLIC	
WEB:www.bobbin.com.tw	UL RATING	UL94V-0	TOLERANCE  .X $\pm 0.2$ .XX $\pm 0.15$ PIN PITCH $\pm 0.1$	
e-mail:shulin@bobbin.com.tw	PIN MATERIAL	CP WIRE		
(TAIWAN TAIPEI) TEL:(886)2-2223-1500 FAX:(886)2-2222-4646	EDITION	2.0		
(CHINA DONGGUAN) TEL:(86)769-7730-785 FAX:(86)769-7312-387	DATE	2002/8/15		
(CHINA SUZHOU) TEL:(86)512-6621-0580 FAX:(86)512-6621-0685	SCALE	2/1	UNIT	MM

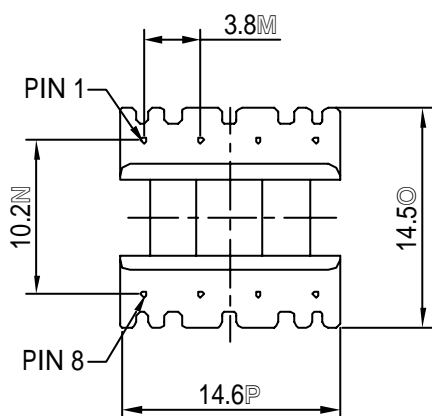
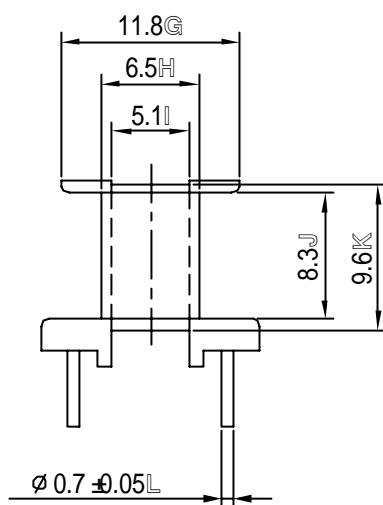
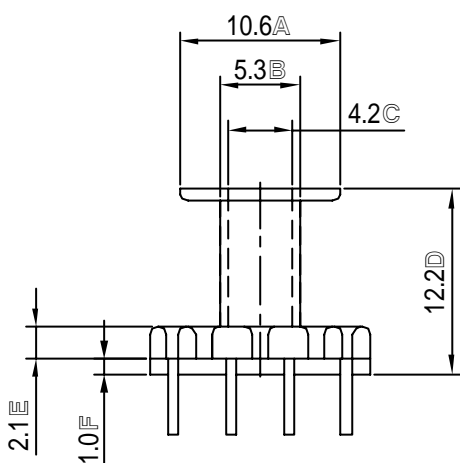
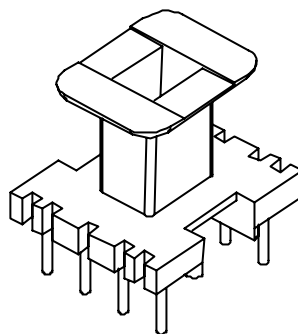
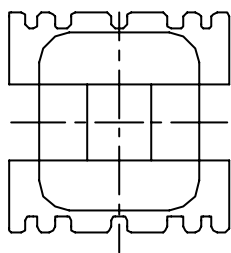
-D1-E16-P18 -



REVISIONS				
ISSUE	SYM	DATE	DRAFTER	CHECKER
NOTE:				

 <b>樹林企業股份有限公司</b> TAIWAN SHULIN ENTERPRISE CO., LTD	MODEL		TF-1615	
	MATERIAL		PHENOLIC	
WEB:www.bobbin.com.tw	UL RATING	UL94V-0	TOLERANCE .X $\pm 0.2$ .XX $\pm 0.15$ PIN PITCH $\pm 0.1$	
e-mail:shulin@bobbin.com.tw	PIN MATERIAL	CP WIRE		
(TAIWAN TAIPEI) TEL:(886)2-2223-1500 FAX:(886)2-2222-4646	EDITION	2.0		
(CHINA DONGGUAN) TEL:(86)769-7730-785 FAX:(86)769-7312-387	DATE	2002/8/15	UNIT	MM
(CHINA SUZHOU) TEL:(86)512-6621-0580 FAX:(86)512-6621-0685	SCALE	2/1		

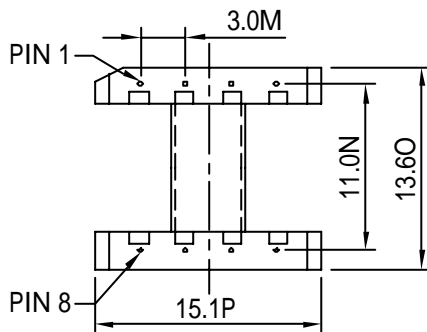
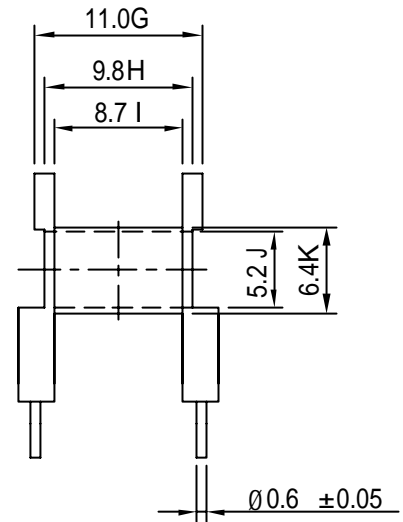
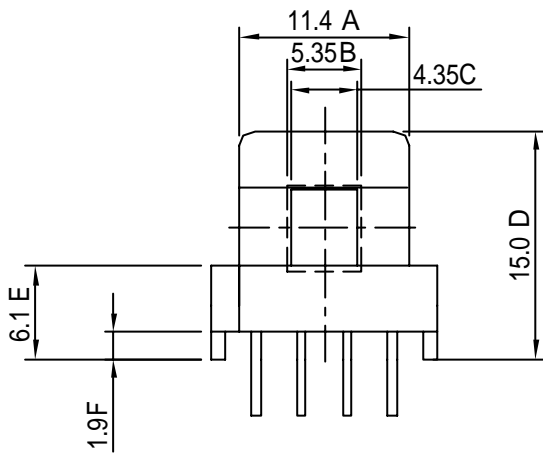
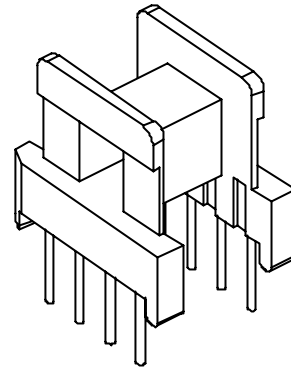
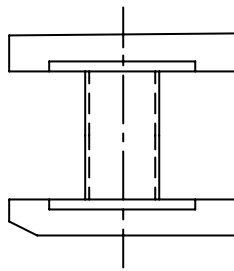
-D1-E16-P19 -



REVISIONS				
ISSUE	SYM	DATE	DRAFTER	CHECKER
NOTE:				

 <b>樹林企業股份有限公司</b> TAIWAN SHULIN ENTERPRISE CO., LTD	MODEL		TF-1616	
	MATERIAL		PHENOLIC	
WEB:www.bobbin.com.tw	UL RATING	UL94V-0	TOLERANCE .X $\pm 0.2$ .XX $\pm 0.15$ PIN PITCH $\pm 0.1$	
e-mail:shulin@bobbin.com.tw	PIN MATERIAL	CP WIRE		
(TAIWAN TAIPEI) TEL:(886)2-2223-1500 FAX:(886)2-2222-4646	EDITION	2.0		
(CHINA DONGGUAN) TEL:(86)769-7730-785 FAX:(86)769-7312-387	DATE	2002/8/15	UNIT	MM
(CHINA SUZHOU) TEL:(86)512-6621-0580 FAX:(86)512-6621-0685	SCALE	2/1		

-D1-E16-P20 -

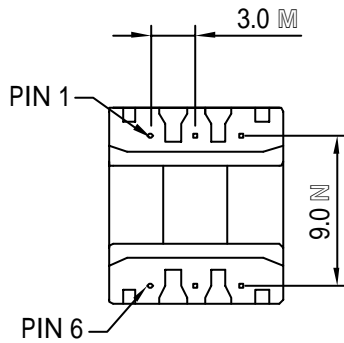
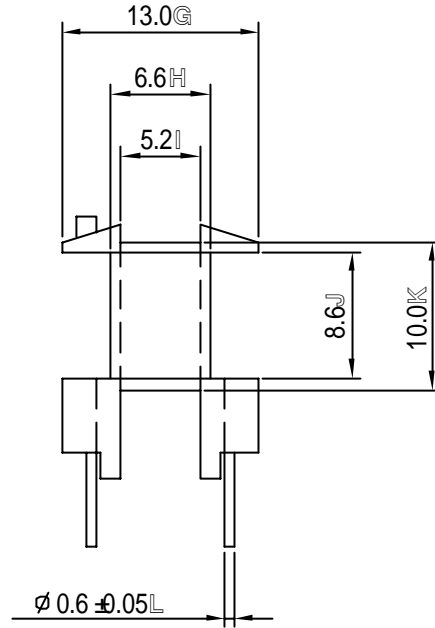
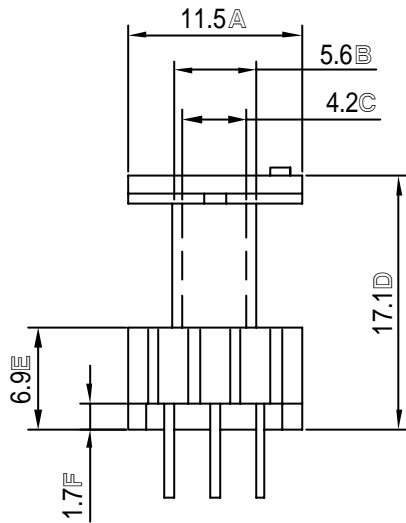
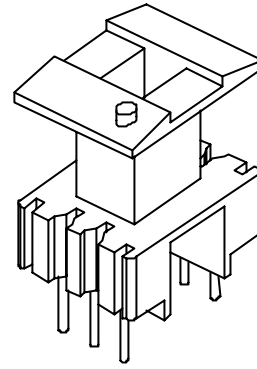
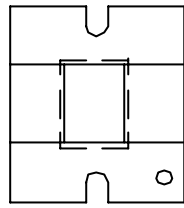


REVISIONS				
ISSUE	SYM	DATE	DRAFTER	CHECKER
NOTE:				

 <b>樹林企業股份有限公司</b> TAIWAN SHULIN ENTERPRISE CO., LTD	MODEL		TF-1618	
	MATERIAL		PHENOLIC	
WEB: www.bobbin.com.tw	UL RATING	UL94V-0	TOLERANCE .X $\pm 0.2$ .XX $\pm 0.15$ PIN PITCH $\pm 0.1$	
e-mail: shulin@bobbin.com.tw	PIN MATERIAL	CP WIRE		
(TAIWAN TAIPEI) TEL:(886)2-2223-1500 FAX:(886)2-2222-4646	EDITION	2.0		
(CHINA DONGGUAN) TEL:(86)769-7730-785 FAX:(86)769-7312-387	DATE	2002/8/15		
(CHINA SUZHOU) TEL:(86)512-6621-0580 FAX:(86)512-6621-0685	SCALE	2/1	UNIT	MM

-D1-E16-P21 -

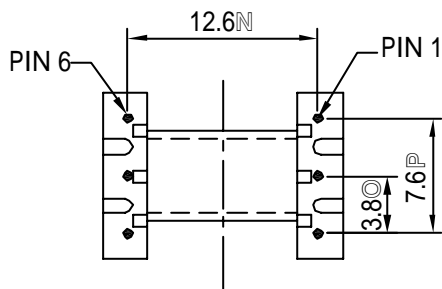
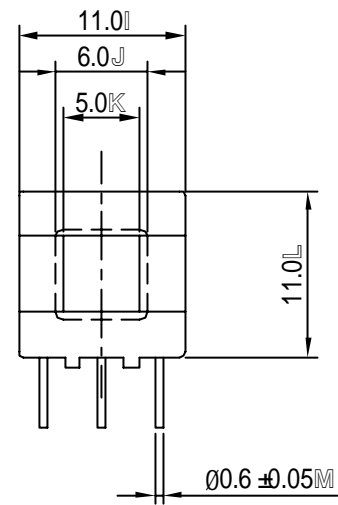
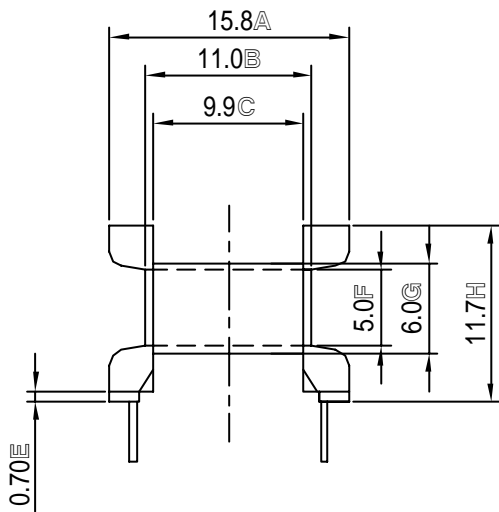
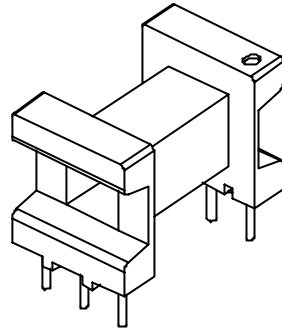
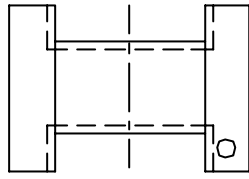




REVISIONS				
ISSUE	SYM	DATE	DRAFTER	CHECKER
NOTE:				

 <b>樹林企業股份有限公司</b> TAIWAN SHULIN ENTERPRISE CO., LTD	MODEL		TF-1619	
	MATERIAL		PHENOLIC	
WEB:www.bobbin.com.tw	UL RATING	UL94V-0	TOLERANCE .X $\pm 0.2$ .XX $\pm 0.15$ PIN PITCH $\pm 0.1$	
e-mail:shulin@bobbin.com.tw	PIN MATERIAL	CP WIRE		
(TAIWAN TAIPEI) TEL:(886)2-2223-1500 FAX:(886)2-2222-4646	EDITION	2.0A		
(CHINA DONGGUAN) TEL:(86)769-7730-785 FAX:(86)769-7312-387	DATE	2003/7/5	UNIT	MM
(CHINA SUZHOU) TEL:(86)512-6621-0580 FAX:(86)512-6621-0685	SCALE	2/1		

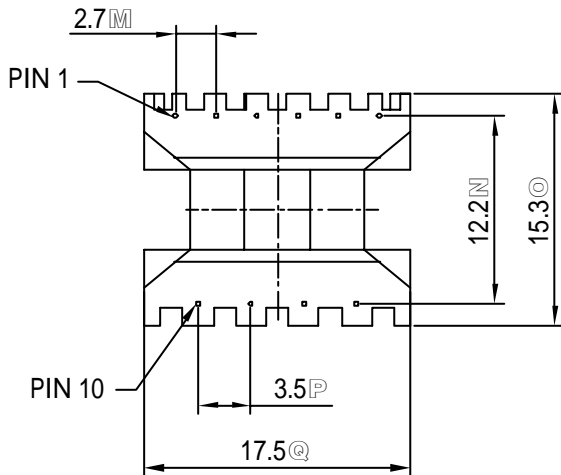
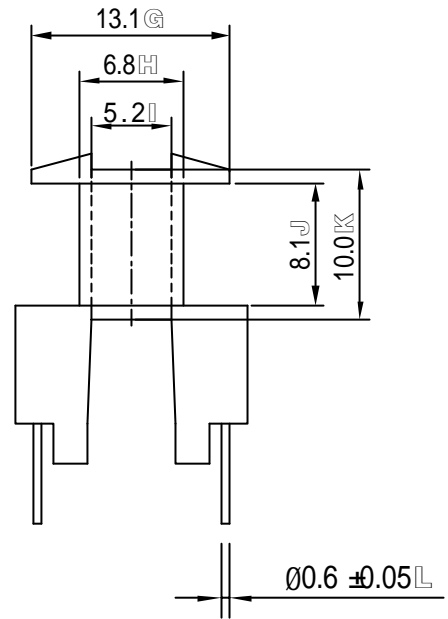
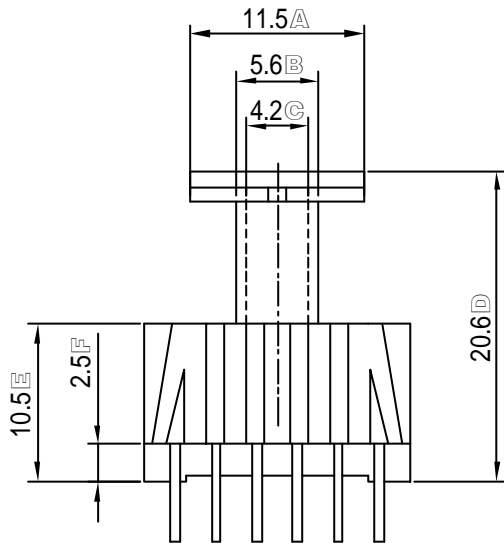
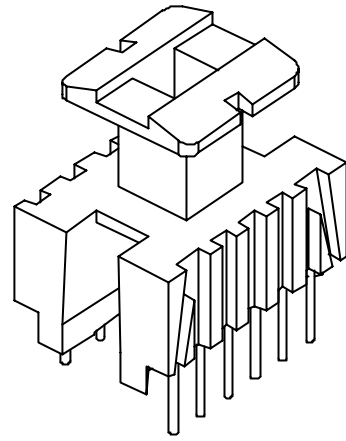
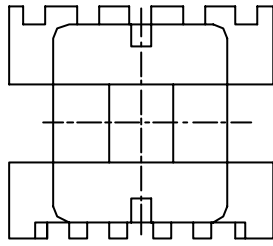
-D1-E16-P22 -



REVISIONS				
ISSUE	SYM	DATE	DRAFTER	CHECKER
NOTE:				

 <b>樹林企業股份有限公司</b> TAIWAN SHULIN ENTERPRISE CO., LTD	MODEL		TF-1621	
	MATERIAL		PHENOLIC	
WEB:www.bobbin.com.tw	UL RATING	UL94V-0	TOLERANCE .X $\pm 0.2$ .XX $\pm 0.15$ PIN PITCH $\pm 0.1$	
e-mail:shulin@bobbin.com.tw	PIN MATERIAL	CP WIRE		
(TAIWAN TAIPEI) TEL:(886)2-2223-1500 FAX:(886)2-2222-4646	EDITION	1.0		
(CHINA DONGGUAN) TEL:(86)769-7730-785 FAX:(86)769-7312-387	DATE	2001/8/16		
(CHINA SUZHOU) TEL:(86)512-6621-0580 FAX:(86)512-6621-0685	SCALE	2/1	UNIT	MM

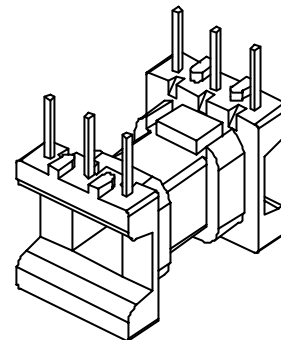
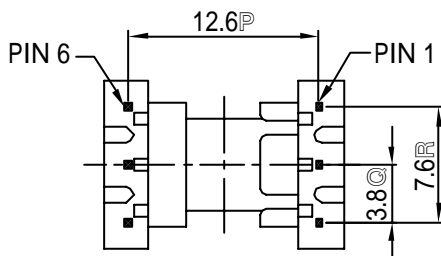
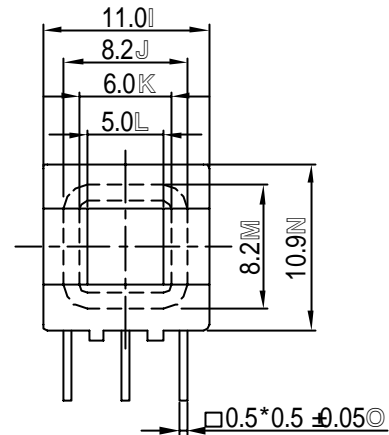
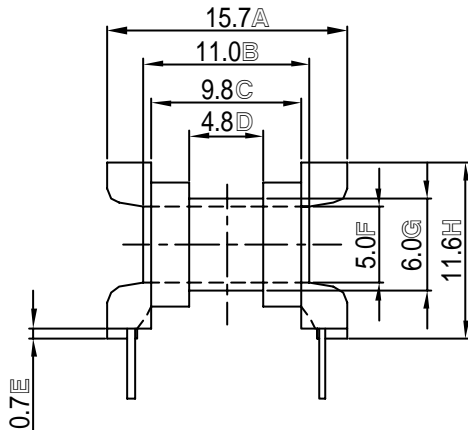
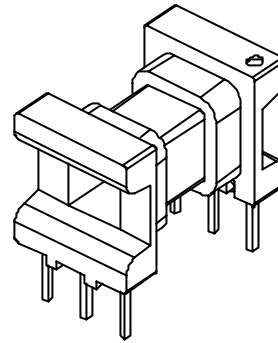
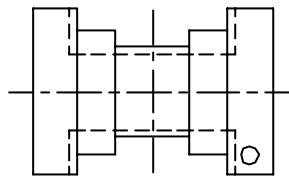
-D1-E16-P23 -



REVISIONS				
ISSUE	SYM	DATE	DRAFTER	CHECKER
NOTE:				

 <b>樹林企業股份有限公司</b> TAIWAN SHULIN ENTERPRISE CO., LTD	MODEL		TF-1622	
	MATERIAL		PHENOLIC	
WEB:www.bobbin.com.tw	UL RATING	UL94V-0	TOLERANCE  .X ±0.2 .XX ±0.15 PIN PITCH ±0.1	
e-mail:shulin@bobbin.com.tw	PIN MATERIAL	CP WIRE		
(TAIWAN TAIPEI) TEL:(886)2-2223-1500 FAX:(886)2-2222-4646	EDITION	1.0		
(CHINA DONGGUAN) TEL:(86)769-7730-785 FAX:(86)769-7312-387	DATE	2003/3/23		
(CHINA SUZHOU) TEL:(86)512-6621-0580 FAX:(86)512-6621-0685	SCALE	1/1	UNIT	MM

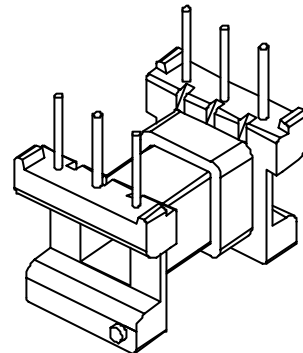
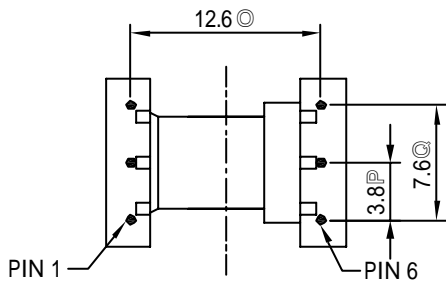
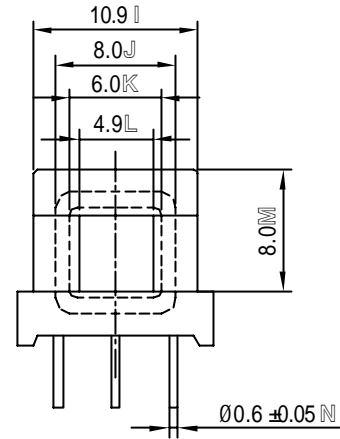
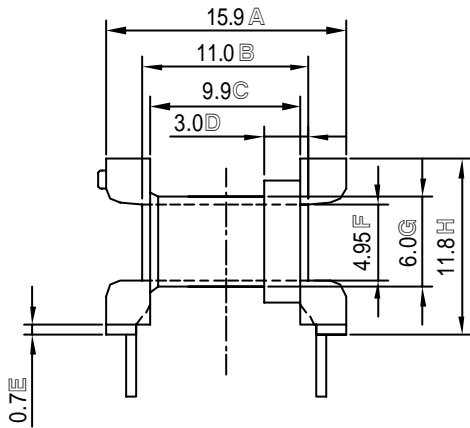
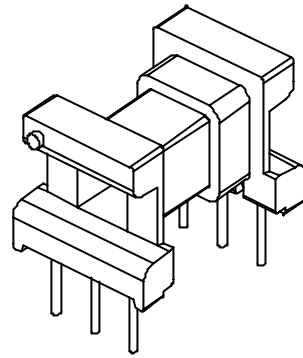
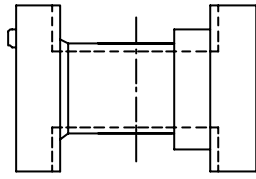
-D1-E16-P24 -



REVISIONS				
ISSUE	SYM	DATE	DRAFTER	CHECKER
NOTE:				

 <b>樹林企業股份有限公司</b> TAIWAN SHULIN ENTERPRISE CO., LTD	MODEL	TF-1623		
	MATERIAL	PHENOLIC		
WEB:www.bobbin.com.tw	UL RATING	UL94V-0	TOLERANCE .X ±0.2 .XX ±0.15 PIN PITCH ±0.1	
e-mail:shulin@bobbin.com.tw	PIN MATERIAL	PHOS.B		
(TAIWAN TAIPEI) TEL:(886)2-2223-1500 FAX:(886)2-2222-4646	EDITION	2.0		
(CHINA DONGGUAN) TEL:(86)769-7730-785 FAX:(86)769-7312-387	DATE	2003/4/1		
(CHINA SUZHOU) TEL:(86)512-6621-0580 FAX:(86)512-6621-0685	SCALE	2/1	UNIT	MM

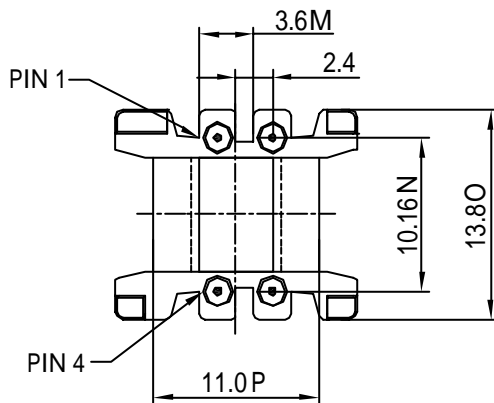
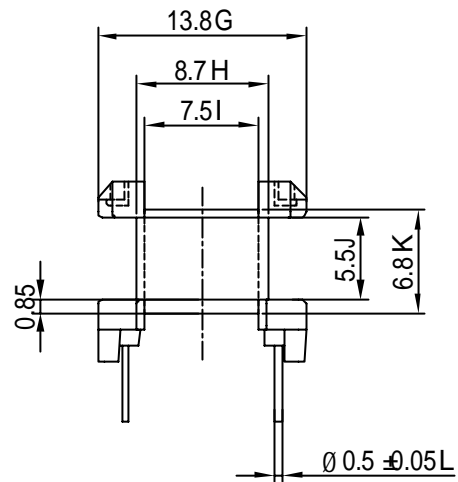
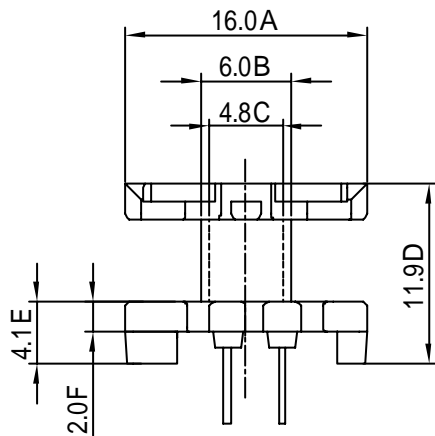
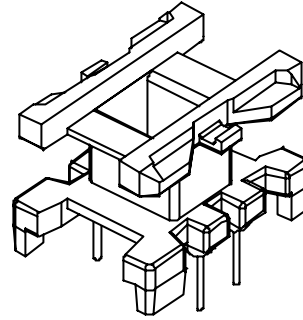
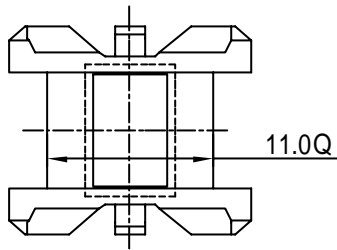
-D1-E16-P25 -



REVISIONS				
ISSUE	SYM	DATE	DRAFTER	CHECKER
NOTE:				

 <b>樹林企業股份有限公司</b> TAIWAN SHULIN ENTERPRISE CO., LTD	MODEL		TF-1624		
	MATERIAL		PHENOLIC		
WEB:www.bobbin.com.tw	UL RATING	UL94V-0	TOLERANCE  .X ±0.2 .XX ±0.15 PIN PITCH ±0.1		
e-mail:shulin@bobbin.com.tw	PIN MATERIAL	CP WIRE			
(TAIWAN TAIPEI) TEL:(886)2-2223-1500 FAX:(886)2-2222-4646	EDITION	2.0			
(CHINA DONGGUAN) TEL:(86)769-7730-785 FAX:(86)769-7312-387	DATE	2003/04/01			
(CHINA SUZHOU) TEL:(86)512-6621-0580 FAX:(86)512-6621-0685	SCALE	2/1	UNIT	MM	

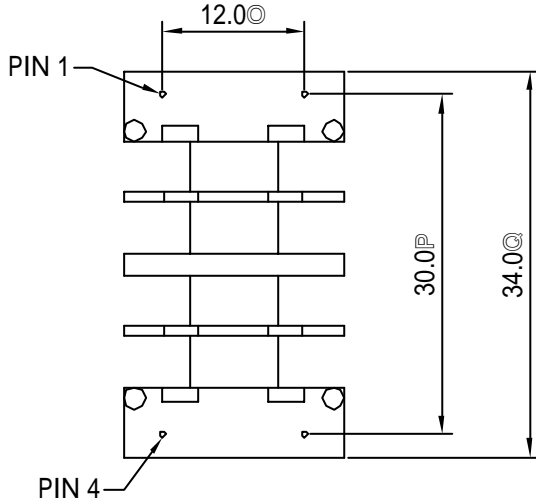
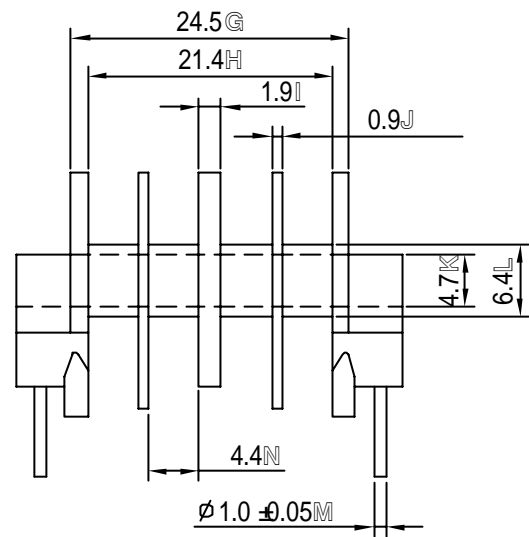
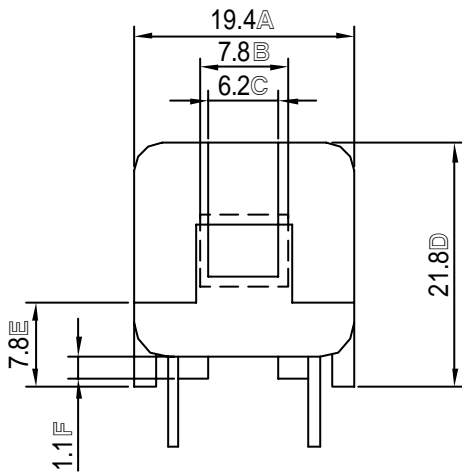
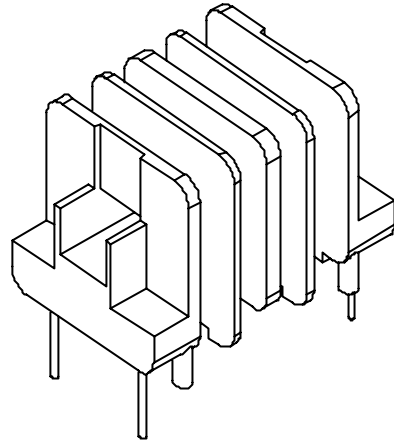
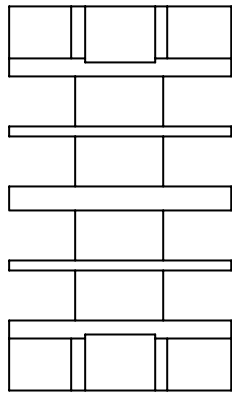
-D1-E16-P26 -



REVISIONS				
ISSUE	SYM	DATE	DRAFTER	CHECKER
NOTE:				

 <b>樹林企業股份有限公司</b> TAIWAN SHULIN ENTERPRISE CO., LTD	MODEL		TF-1625	
	MATERIAL		PHENOLIC	
WEB:www.bobbin.com.tw	UL RATING	UL94V-0	<b>TOLERANCE</b>  .X $\pm 0.2$ .XX $\pm 0.15$ PIN PITCH $\pm 0.1$	
e-mail:shulin@bobbin.com.tw	PIN MATERIAL	CP WIRE		
(TAIWAN TAIPEI) TEL:(886)2-2223-1500 FAX:(886)2-2222-4646	EDITION	1.0		
(CHINA DONGGUAN) TEL:(86)769-7730-785 FAX:(86)769-7312-387	DATE	2003/6/24		
(CHINA SUZHOU) TEL:(86)512-6621-0580 FAX:(86)512-6621-0685	SCALE	2/1	UNIT	MM

-D1-E16-P27 -



REVISIONS				
ISSUE	SYM	DATE	DRAFTER	CHECKER
NOTE:				



**樹林企業股份有限公司**  
TAIWAN SHULIN ENTERPRISE CO., LTD

WEB: www.bobbin.com.tw

e-mail: shulin@bobbin.com.tw

(TAIWAN TAIPEI) TEL: (886)2-2223-1500 FAX: (886)2-2222-4646

(CHINA DONGGUAN) TEL: (86)769-7730-785 FAX: (86)769-7312-387

(CHINA SUZHOU) TEL: (86)512-6621-0580 FAX: (86)512-6621-0685

MODEL

TF-1701

MATERIAL

PBT

UL RATING

UL94V-0

TOLERANCE

PIN MATERIAL

CP WIRE

.X  $\pm 0.2$

.XX  $\pm 0.15$

EDITION

2.0

PIN PITCH  $\pm 0.1$

DATE

2002/8/15

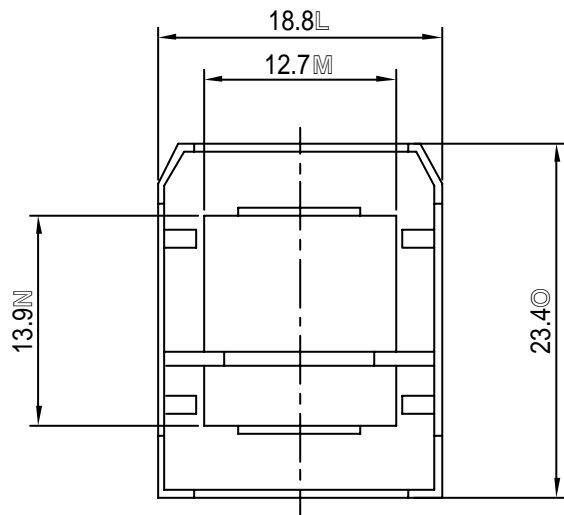
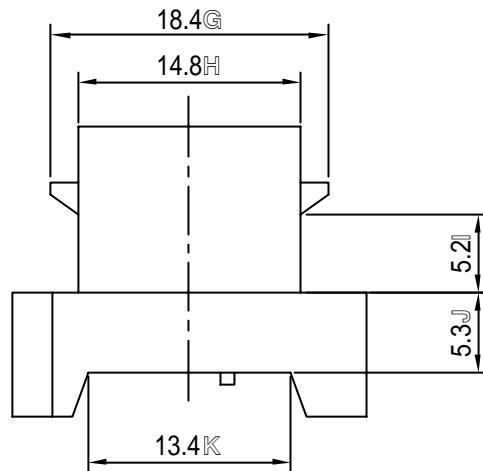
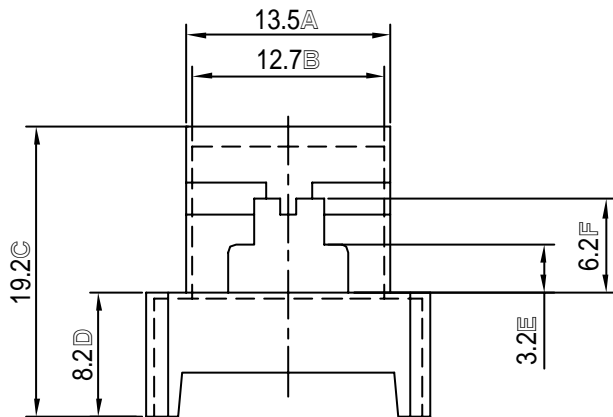
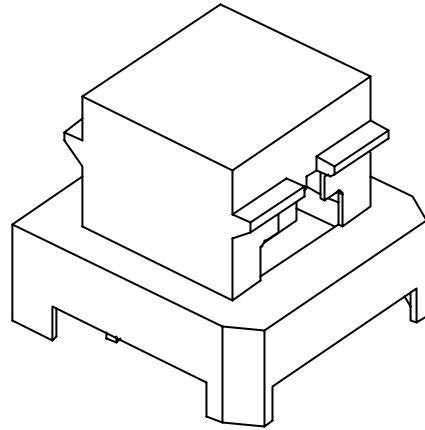
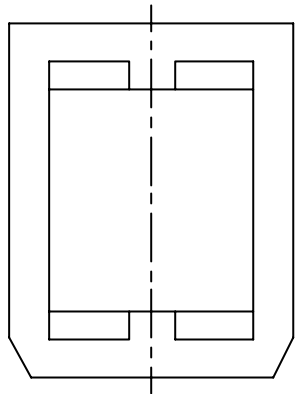
SCALE

1.5/1

UNIT

MM

-D17-UU17-P01-

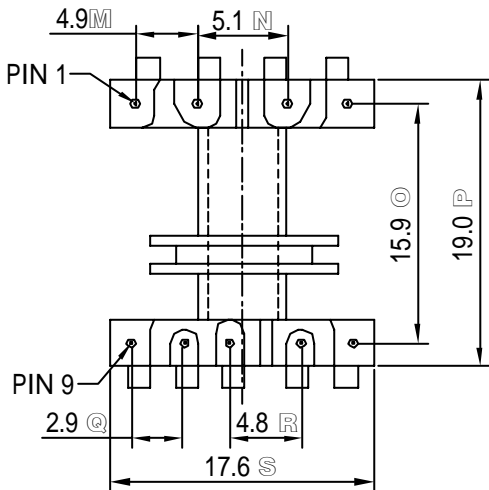
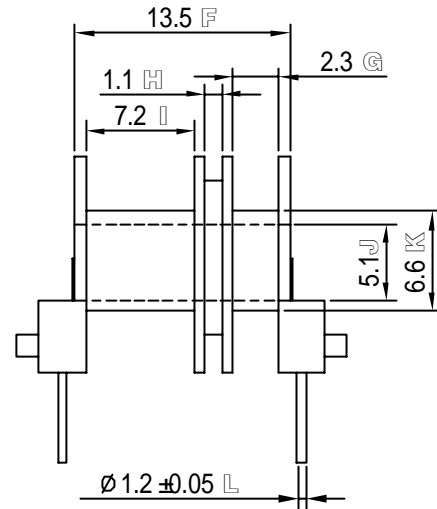
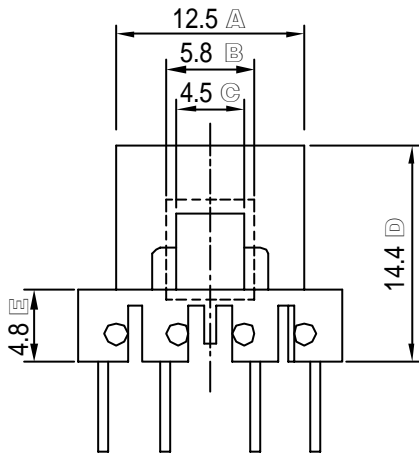
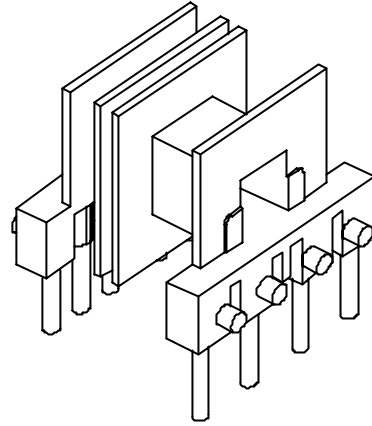
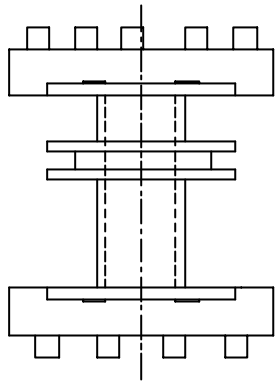


REVISIONS				
ISSUE	SYM	DATE	DRAFTER	CHECKER
NOTE:				

 <b>樹林企業股份有限公司</b> TAIWAN SHULIN ENTERPRISE CO., LTD	MODEL		TF-1801COVER	
	MATERIAL		PET	
WEB:www.bobbin.com.tw	UL RATING	UL94V-0	TOLERANCE .X ±0.2 .XX ±0.15 PIN PITCH ±0.1	
e-mail:shulin@bobbin.com.tw	PIN MATERIAL	CP WIRE		
(TAIWAN TAIPEI) TEL:(886)2-2223-1500 FAX:(886)2-2222-4646	EDITION	2.0		
(CHINA DONGGUAN) TEL:(86)769-7730-785 FAX:(86)769-7312-387	DATE	2002/8/15	UNIT	MM
(CHINA SUZHOU) TEL:(86)512-6621-0580 FAX:(86)512-6621-0685	SCALE	2/1		

-D1-E18-P02 -





REVISIONS				
ISSUE	SYM	DATE	DRAFTER	CHECKER
NOTE:				



**樹林企業股份有限公司**  
TAIWAN SHULIN ENTERPRISE CO., LTD

MODEL

TF-1801

MATERIAL

PHENOLIC

WEB: www.bobbin.com.tw

UL RATING

UL94V-0

TOLERANCE

e-mail: shulin@bobbin.com.tw

PIN MATERIAL

CP WIRE

.X  $\pm 0.2$

(TAIWAN TAIPEI) TEL: (886)2-2223-1500 FAX: (886)2-2222-4646

EDITION

2.0

.XX  $\pm 0.15$

(CHINA DONGGUAN) TEL: (86)769-7730-785 FAX: (86)769-7312-387

DATE

2002/8/15

PIN PITCH  $\pm 0.1$

(CHINA SUZHOU) TEL: (86)512-6621-0580 FAX: (86)512-6621-0685

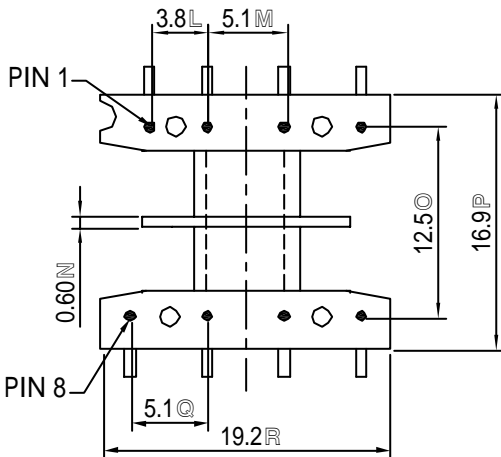
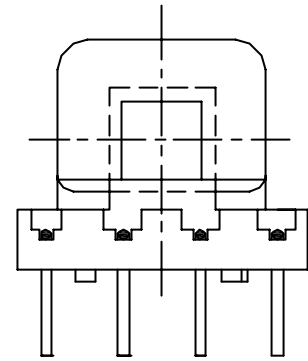
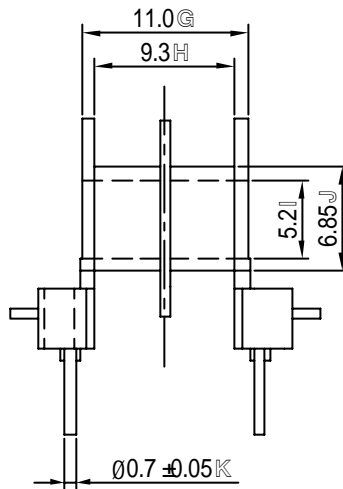
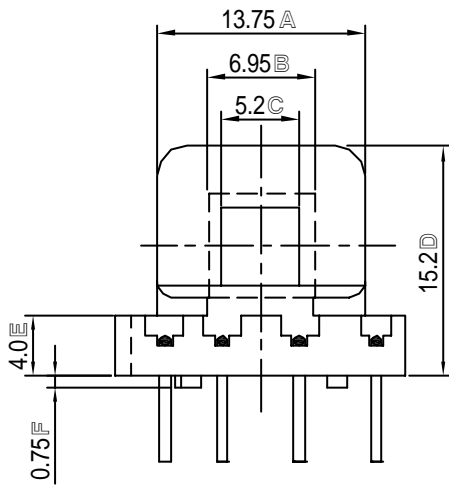
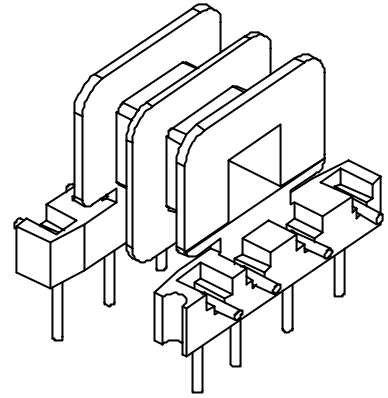
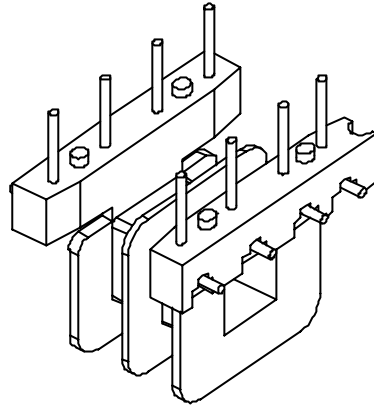
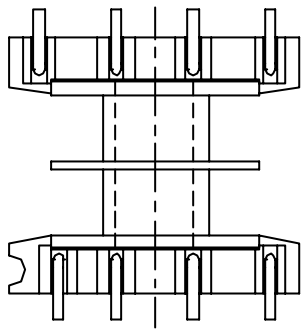
SCALE

2/1

UNIT

MM

-D1-E18-P01 -



REVISIONS				
ISSUE	SYM	DATE	DRAFTER	CHECKER

NOTE:



樹林企業股份有限公司

TAIWAN SHULIN ENTERPRISE CO., LTD

WEB: www.bobbin.com.tw

e-mail: shulin@bobbin.com.tw

(TAIWAN TAIPEI) TEL: (886)2-2223-1500 FAX: (886)2-2222-4646

(CHINA DONGGUAN) TEL: (86)769-7730-785 FAX: (86)769-7312-387

(CHINA SUZHOU) TEL: (86)512-6621-0580 FAX: (86)512-6621-0685

MODEL

TF-1901

MATERIAL

NYLON 66

UL RATING

UL94V-0

PIN MATERIAL

CP WIRE

EDITION

2.0

DATE

2002/8/15

SCALE

2/1

TOLERANCE

.X ±0.2

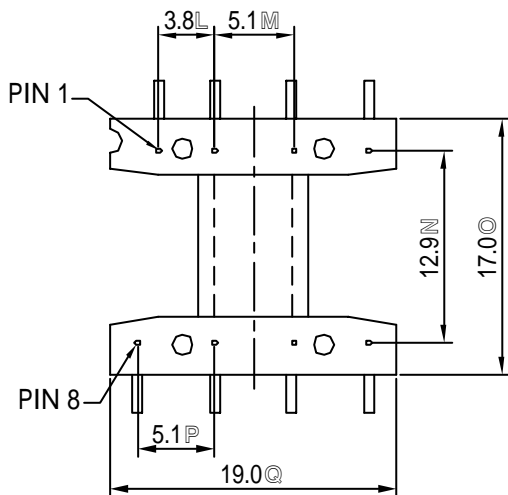
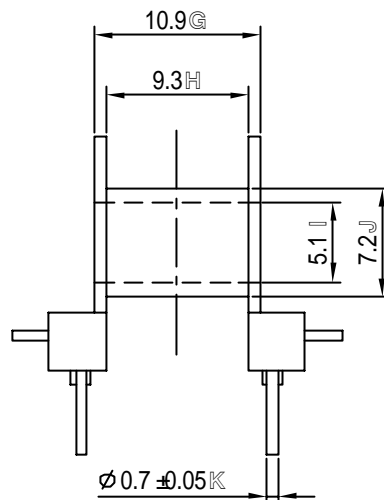
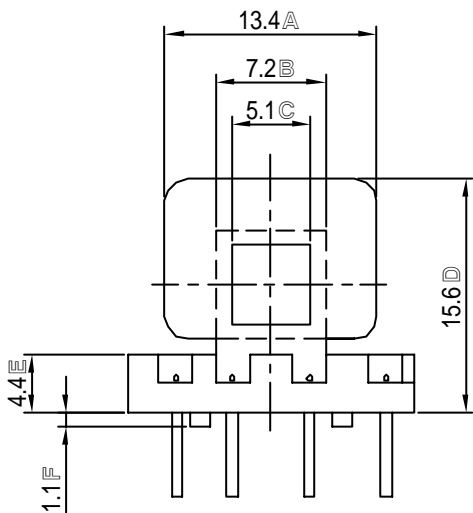
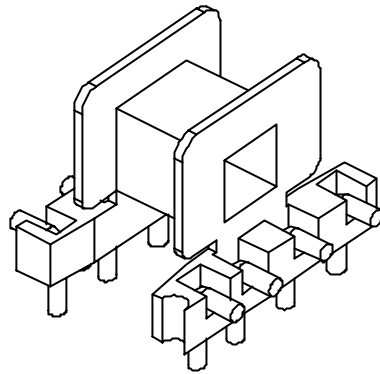
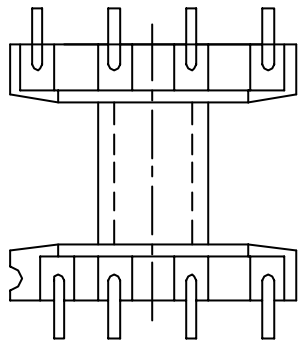
.XX ±0.15

PIN PITCH ±0.1

UNIT

MM

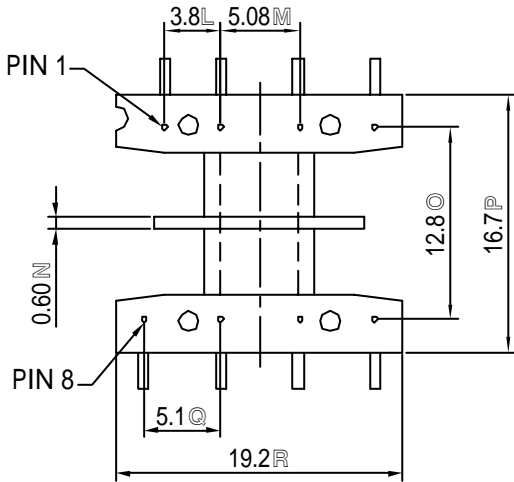
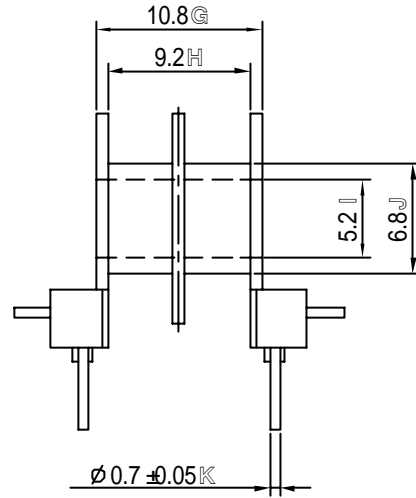
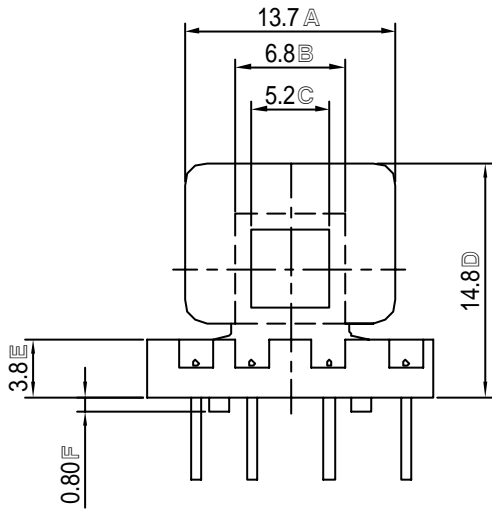
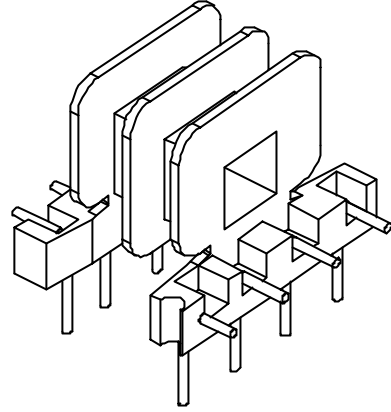
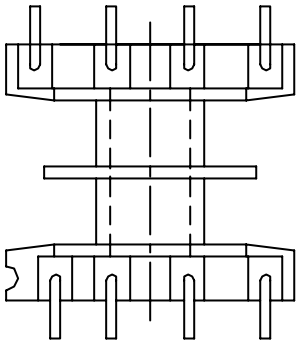
-D1-E19-P01 -



REVISIONS				
ISSUE	SYM	DATE	DRAFTER	CHECKER
NOTE:				

 <b>樹林企業股份有限公司</b> TAIWAN SHULIN ENTERPRISE CO., LTD	MODEL		TF-1901-1	
	MATERIAL		PBT/NYLON	
WEB:www.bobbin.com.tw	UL RATING	UL94V-0	TOLERANCE  .X ±0.2 .XX ±0.15 PIN PITCH ±0.1	
e-mail:shulin@bobbin.com.tw	PIN MATERIAL	CP WIRE		
(TAIWAN TAIPEI) TEL:(886)2-2223-1500 FAX:(886)2-2222-4646	EDITION	2.0		
(CHINA DONGGUAN) TEL:(86)769-7730-785 FAX:(86)769-7312-387	DATE	2002/8/15		
(CHINA SUZHOU) TEL:(86)512-6621-0580 FAX:(86)512-6621-0685	SCALE	2/1	UNIT	MM

-D1-E19-P02 -



REVISIONS				
ISSUE	SYM	DATE	DRAFTER	CHECKER

NOTE:



樹林企業股份有限公司

TAIWAN SHULIN ENTERPRISE CO., LTD

WEB: www.bobbin.com.tw

e-mail: shulin@bobbin.com.tw

(TAIWAN TAIPEI) TEL: (886)2-2223-1500 FAX: (886)2-2222-4646

(CHINA DONGGUAN) TEL: (86)769-7730-785 FAX: (86)769-7312-387

(CHINA SUZHOU) TEL: (86)512-6621-0580 FAX: (86)512-6621-0685

MODEL

TF-1901-2

MATERIAL

PBT

UL RATING

UL94V-0

TOLERANCE

PIN MATERIAL

CP WIRE

.X  $\pm 0.2$

EDITION

2.0

.XX  $\pm 0.15$

DATE

2002/8/15

PIN PITCH  $\pm 0.1$

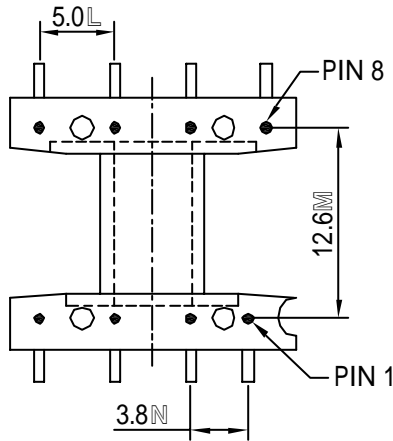
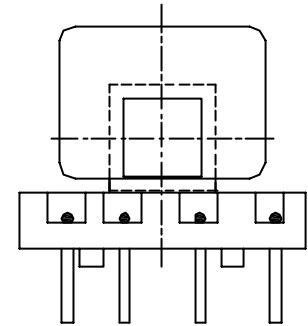
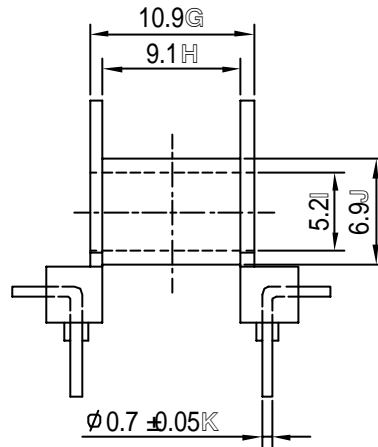
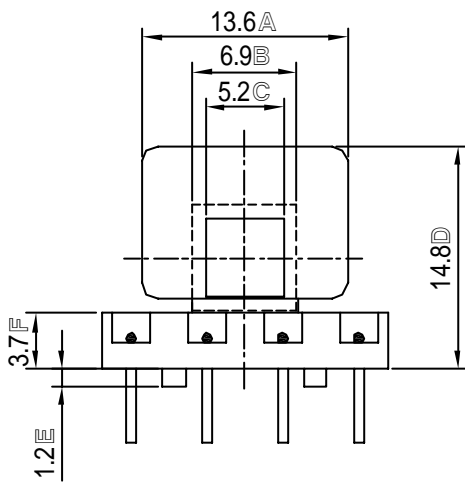
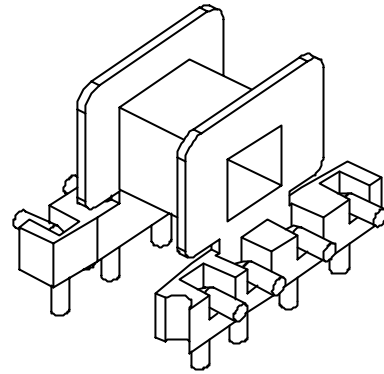
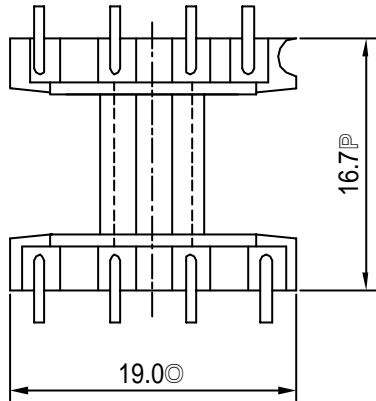
SCALE

2/1

UNIT

MM

-D1-E19-P03 -



REVISIONS				
ISSUE	SYM	DATE	DRAFTER	CHECKER

NOTE:



樹林企業股份有限公司

TAIWAN SHULIN ENTERPRISE CO., LTD

WEB: www.bobbin.com.tw

e-mail: shulin@bobbin.com.tw

(TAIWAN TAIPEI) TEL: (886)2-2223-1500 FAX: (886)2-2222-4646

(CHINA DONGGUAN) TEL: (86)769-7730-785 FAX: (86)769-7312-387

(CHINA SUZHOU) TEL: (86)512-6621-0580 FAX: (86)512-6621-0685

MODEL

TF-1901-3

MATERIAL

PBT

UL RATING

UL94V-0

PIN MATERIAL

CP WIRE

EDITION

2.0

DATE

2002/8/15

SCALE

3/1

TOLERANCE

.X  $\pm 0.2$

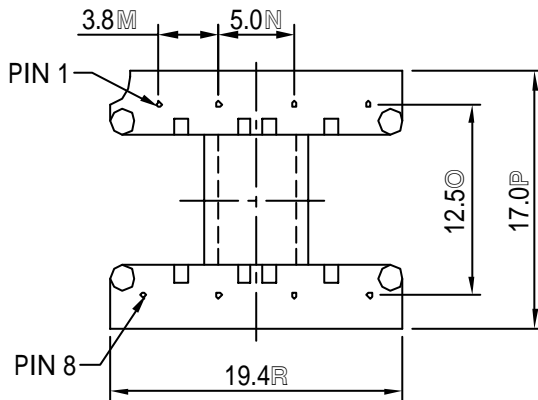
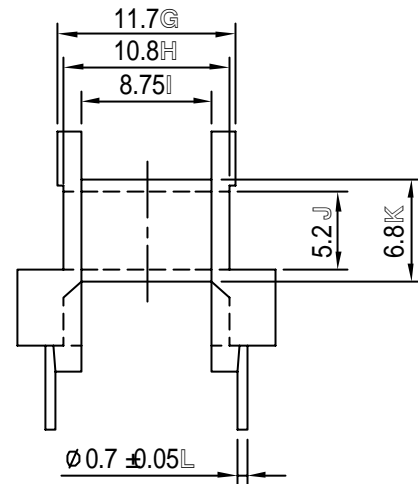
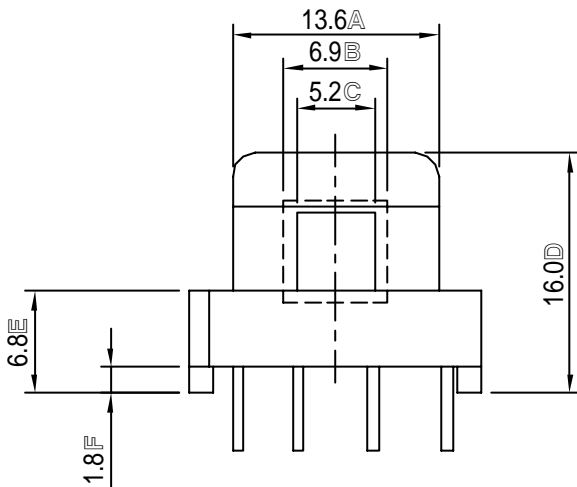
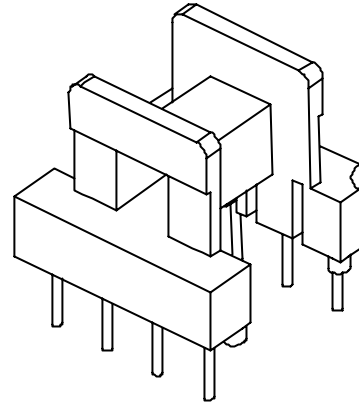
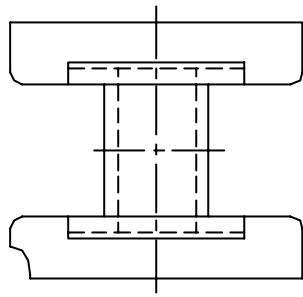
.XX  $\pm 0.15$

PIN PITCH  $\pm 0.1$

UNIT

MM

-D1-E19-P04 -



REVISIONS				
ISSUE	SYM	DATE	DRAFTER	CHECKER

NOTE:



樹林企業股份有限公司

TAIWAN SHULIN ENTERPRISE CO., LTD

WEB:www.bobbin.com.tw

e-mail:shulin@bobbin.com.tw

(TAIWAN TAIPEI) TEL:(886)2-2223-1500 FAX:(886)2-2222-4646

(CHINA DONGGUAN) TEL:(86)769-7730-785 FAX:(86)769-7312-387

(CHINA SUZHOU) TEL:(86)512-6621-0580 FAX:(86)512-6621-0685

MODEL

TF-1903

MATERIAL

PHENOLIC

UL RATING

UL94V-0

TOLERANCE

PIN MATERIAL

CP WIRE

.X  $\pm 0.2$

EDITION

2.0

.XX  $\pm 0.15$

DATE

2002/8/15

PIN PITCH  $\pm 0.1$

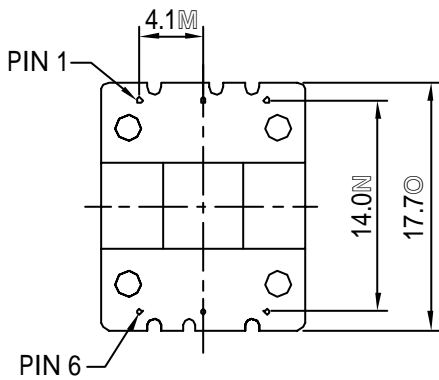
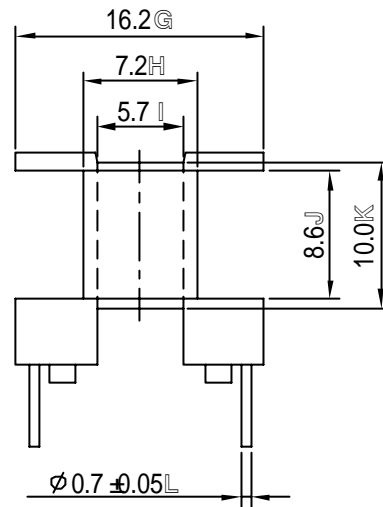
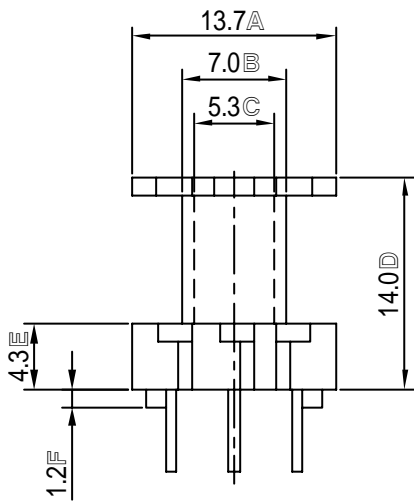
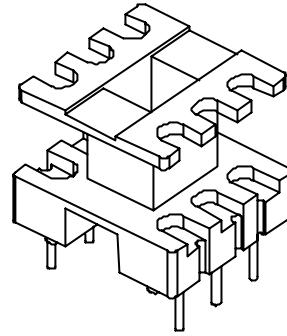
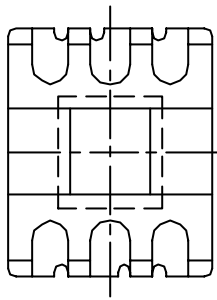
SCALE

2/1

UNIT

MM

-D1-E19-P05 -



REVISIONS				
ISSUE	SYM	DATE	DRAFTER	CHECKER

NOTE:



樹林企業股份有限公司

TAIWAN SHULIN ENTERPRISE CO., LTD

WEB: www.bobbin.com.tw

e-mail: shulin@bobbin.com.tw

(TAIWAN TAIPEI) TEL: (886)2-2223-1500 FAX: (886)2-2222-4646

(CHINA DONGGUAN) TEL: (86)769-7730-785 FAX: (86)769-7312-387

(CHINA SUZHOU) TEL: (86)512-6621-0580 FAX: (86)512-6621-0685

MODEL

TF-1904

MATERIAL

PBT

UL RATING

UL94V-0

TOLERANCE

PIN MATERIAL

CP WIRE

.X  $\pm 0.2$

EDITION

2.0

.XX  $\pm 0.15$

DATE

2002/8/15

PIN PITCH  $\pm 0.1$

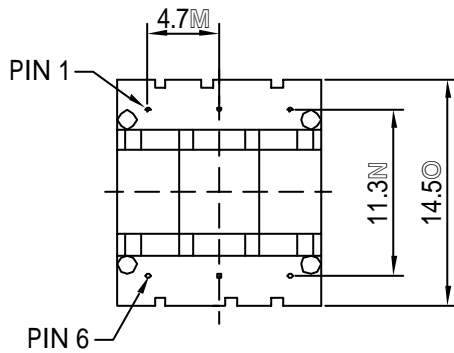
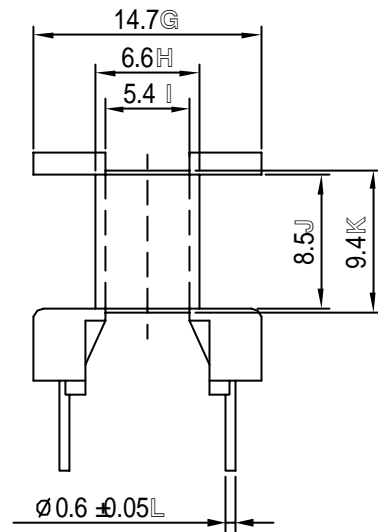
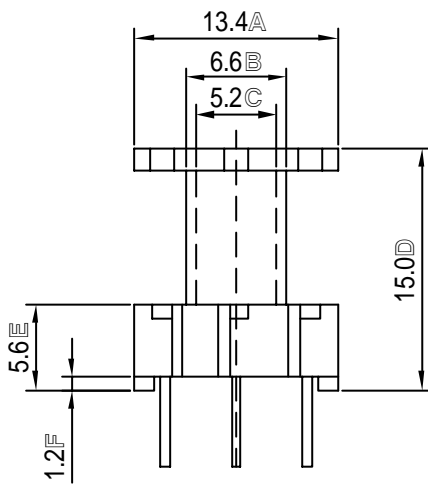
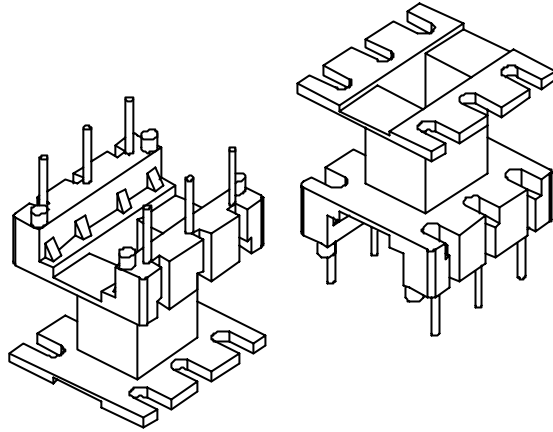
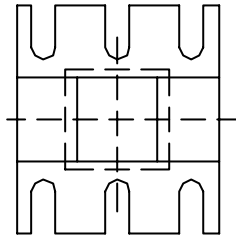
SCALE

2/1

UNIT

MM

-D1-E19-P06 -

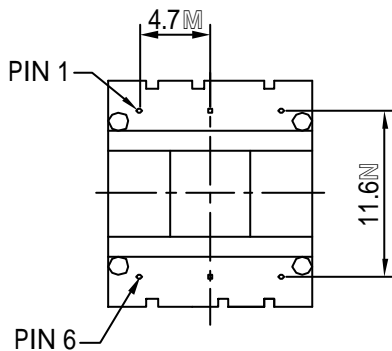
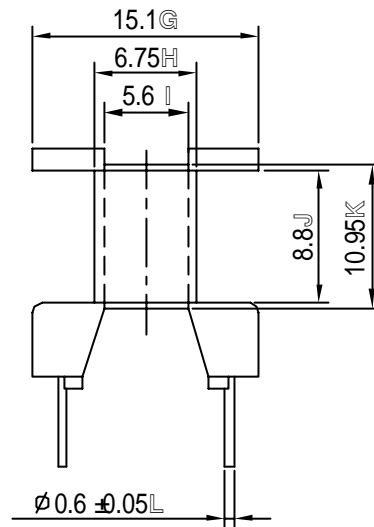
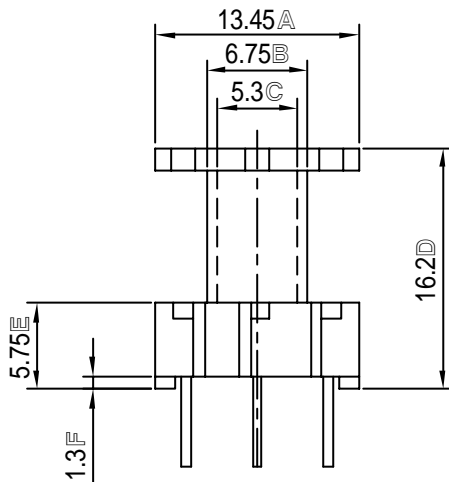
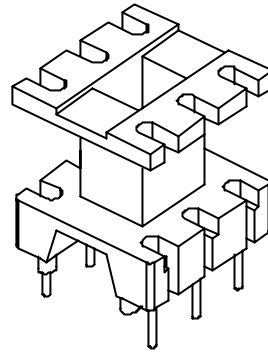
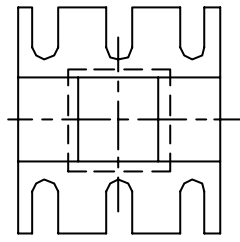


REVISIONS				
ISSUE	SYM	DATE	DRAFTER	CHECKER
NOTE:				

 <b>樹林企業股份有限公司</b> TAIWAN SHULIN ENTERPRISE CO., LTD	MODEL		TF-1905	
	MATERIAL		PBT	
WEB: www.bobbin.com.tw	UL RATING	UL94V-0	TOLERANCE .X $\pm 0.2$ .XX $\pm 0.15$ PIN PITCH $\pm 0.1$	
e-mail: shulin@bobbin.com.tw	PIN MATERIAL	CP WIRE		
(TAIWAN TAIPEI) TEL: (886)2-2223-1500 FAX: (886)2-2222-4646	EDITION	2.0		
(CHINA DONGGUAN) TEL: (86)769-7730-785 FAX: (86)769-7312-387	DATE	2002/8/15		
(CHINA SUZHOU) TEL: (86)512-6621-0580 FAX: (86)512-6621-0685	SCALE	2/1	UNIT	MM

-D1-E19-P07 -

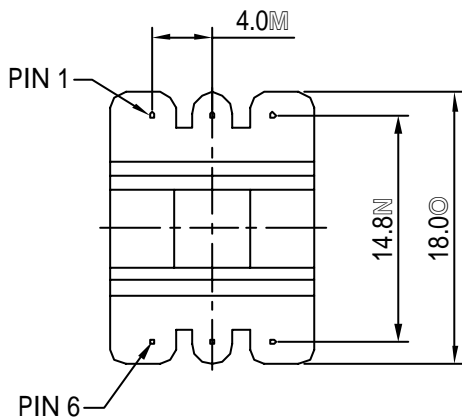
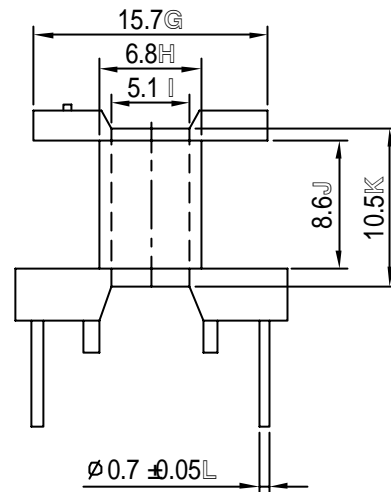
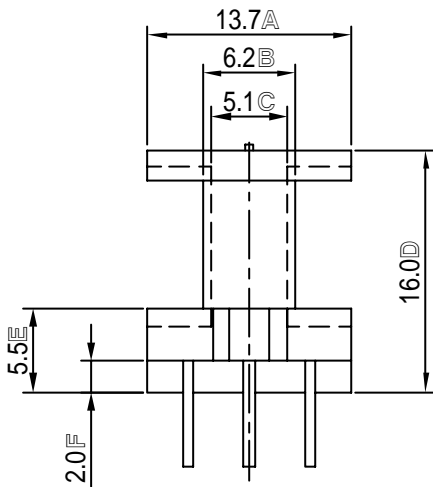
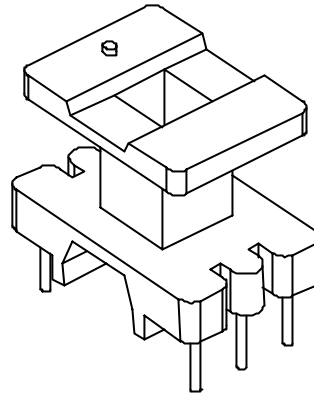
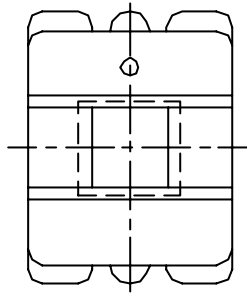




REVISIONS				
ISSUE	SYM	DATE	DRAFTER	CHECKER
NOTE:				

 <b>樹林企業股份有限公司</b> TAIWAN SHULIN ENTERPRISE CO., LTD	MODEL	TF-1905-1		
	MATERIAL	PBT		
WEB: www.bobbin.com.tw	UL RATING	UL94V-0	TOLERANCE .X $\pm 0.2$ .XX $\pm 0.15$ PIN PITCH $\pm 0.1$	
e-mail: shulin@bobbin.com.tw	PIN MATERIAL	CP WIRE		
(TAIWAN TAIPEI) TEL: (886)2-2223-1500 FAX: (886)2-2222-4646	EDITION	2.0		
(CHINA DONGGUAN) TEL: (86)769-7730-785 FAX: (86)769-7312-387	DATE	2002/8/15		
(CHINA SUZHOU) TEL: (86)512-6621-0580 FAX: (86)512-6621-0685	SCALE	2/1	UNIT	MM

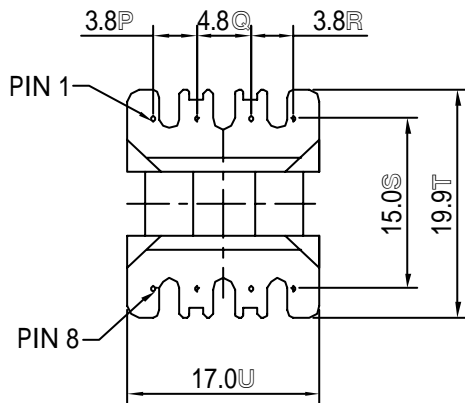
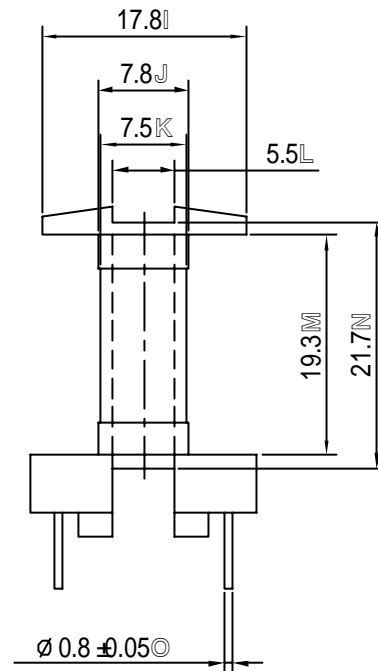
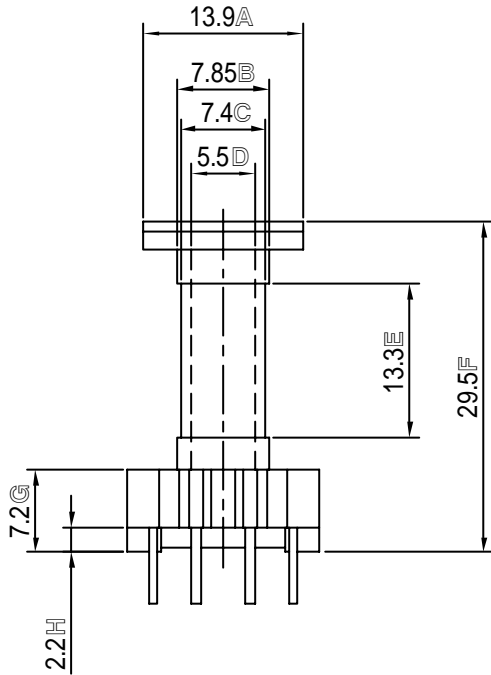
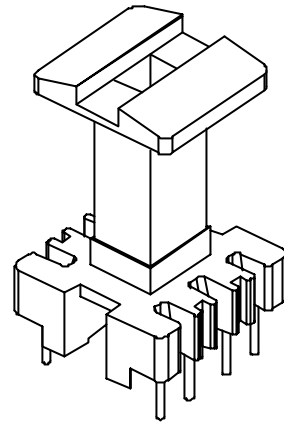
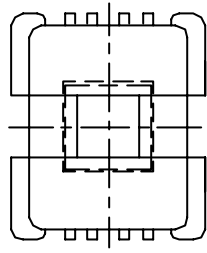
-D1-E19-PO8 -



REVISIONS				
ISSUE	SYM	DATE	DRAFTER	CHECKER
NOTE:				

 <b>樹林企業股份有限公司</b> TAIWAN SHULIN ENTERPRISE CO., LTD	MODEL		TF-1906	
	MATERIAL		PHENOLIC	
WEB:www.bobbin.com.tw	UL RATING	UL94V-0	TOLERANCE .X $\pm 0.2$ .XX $\pm 0.15$ PIN PITCH $\pm 0.1$	
e-mail:shulin@bobbin.com.tw	PIN MATERIAL	CP WIRE		
(TAIWAN TAIPEI) TEL:(886)2-2223-1500 FAX:(886)2-2222-4646	EDITION	2.0		
(CHINA DONGGUAN) TEL:(86)769-7730-785 FAX:(86)769-7312-387	DATE	2002/8/15		
(CHINA SUZHOU) TEL:(86)512-6621-0580 FAX:(86)512-6621-0685	SCALE	2/1	UNIT	MM

-D1-E19-P09 -



REVISIONS				
ISSUE	SYM	DATE	DRAFTER	CHECKER

NOTE:



樹林企業股份有限公司

TAIWAN SHULIN ENTERPRISE CO., LTD

WEB: www.bobbin.com.tw

e-mail: shulin@bobbin.com.tw

(TAIWAN TAIPEI) TEL: (886)2-2223-1500 FAX: (886)2-2222-4646

(CHINA DONGGUAN) TEL: (86)769-7730-785 FAX: (86)769-7312-387

(CHINA SUZHOU) TEL: (86)512-6621-0580 FAX: (86)512-6621-0685

MODEL

TF-1907

MATERIAL

PHENOLIC

UL RATING

UL94V-0

TOLERANCE

PIN MATERIAL

CP WIRE

.X  $\pm 0.2$

.XX  $\pm 0.15$

EDITION

2.0

PIN PITCH  $\pm 0.1$

DATE

2002/8/15

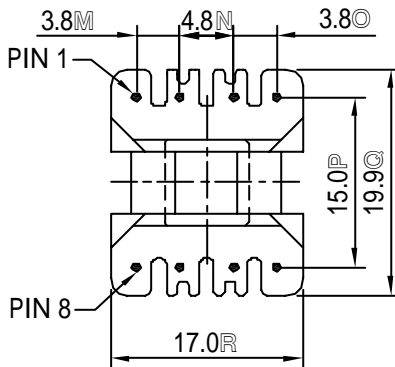
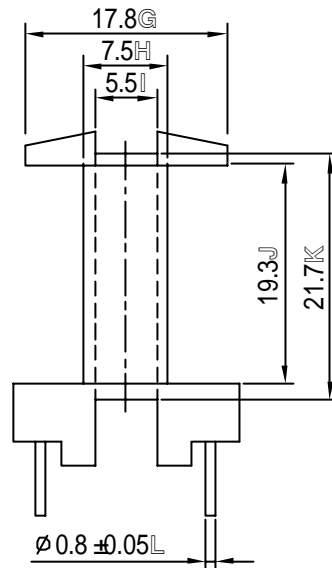
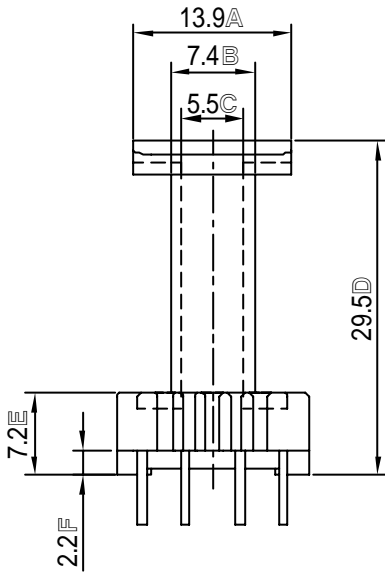
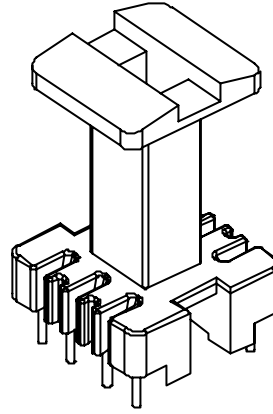
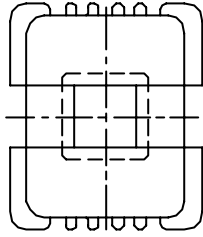
SCALE

1.5/1

UNIT

MM

-D1-E19-P10 -



REVISIONS				
ISSUE	SYM	DATE	DRAFTER	CHECKER
NOTE:				



樹林企業股份有限公司

TAIWAN SHULIN ENTERPRISE CO., LTD

WEB: www.bobbin.com.tw

e-mail: shulin@bobbin.com.tw

(TAIWAN TAIPEI) TEL: (886)2-2223-1500 FAX: (886)2-2222-4646

(CHINA DONGGUAN) TEL: (86)769-7730-785 FAX: (86)769-7312-387

(CHINA SUZHOU) TEL: (86)512-6621-0580 FAX: (86)512-6621-0685

MODEL

TF-1907-1

MATERIAL

PHENOLIC

UL RATING

UL94V-0

PIN MATERIAL

CP WIRE

EDITION

1.0

DATE

2002/10/13

SCALE

1.5/1

TOLERANCE

.X  $\pm 0.2$

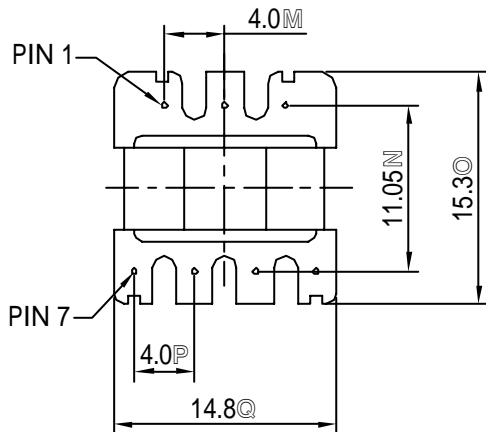
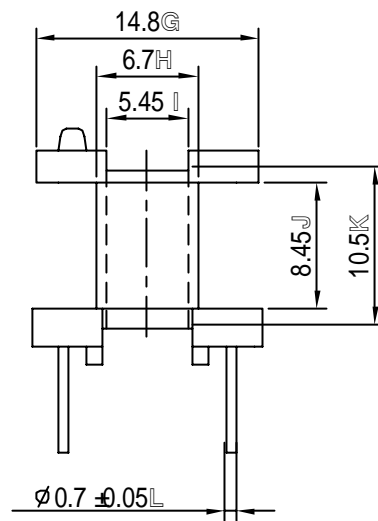
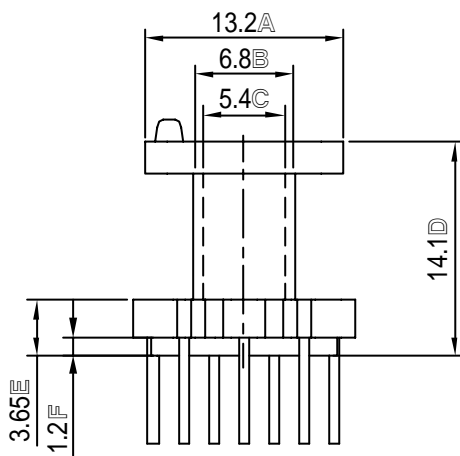
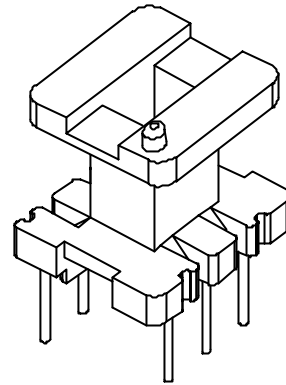
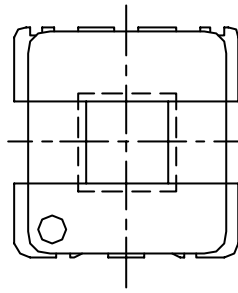
.XX  $\pm 0.15$

PIN PITCH  $\pm 0.1$

UNIT

MM

-D1-E19-P11 -



REVISIONS				
ISSUE	SYM	DATE	DRAFTER	CHECKER

NOTE:



**樹林企業股份有限公司**

TAIWAN SHULIN ENTERPRISE CO., LTD

WEB: [www.bobbin.com.tw](http://www.bobbin.com.tw)

e-mail: [shulin@bobbin.com.tw](mailto:shulin@bobbin.com.tw)

(TAIWAN TAIPEI) TEL: (886)2-2223-1500 FAX: (886)2-2222-4646

(CHINA DONGGUAN) TEL: (86)769-7730-785 FAX: (86)769-7312-387

(CHINA SUZHOU) TEL: (86)512-6621-0580 FAX: (86)512-6621-0685

MODEL

TF-1908

MATERIAL

PHENOLIC

UL RATING

UL94V-0

TOLERANCE

PIN MATERIAL

CP WIRE

.X  $\pm 0.2$

.XX  $\pm 0.15$

EDITION

2.0

DATE

2002/8/15

PIN PITCH  $\pm 0.1$

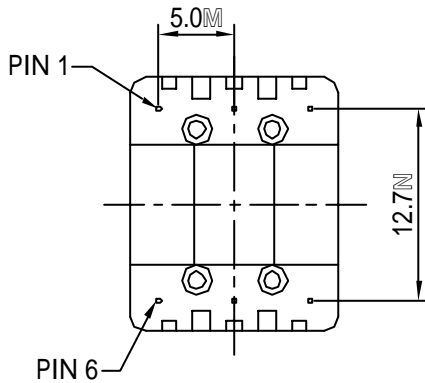
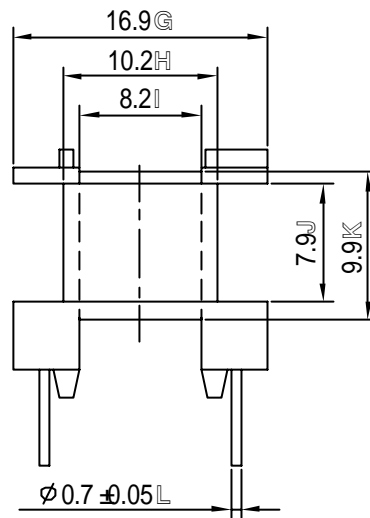
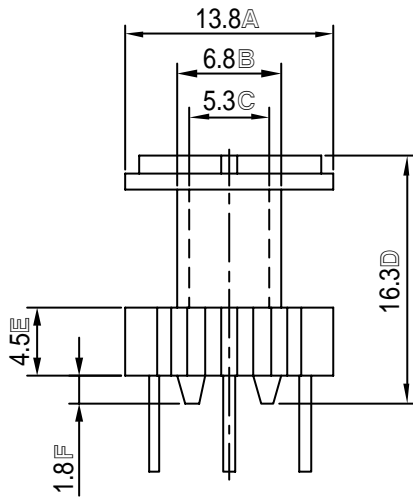
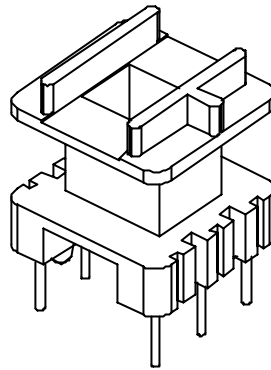
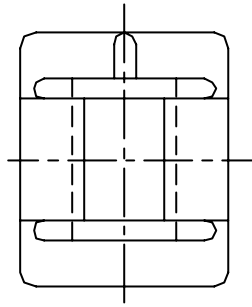
SCALE

2/1

UNIT

MM

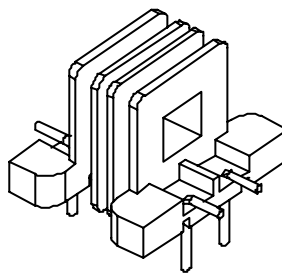
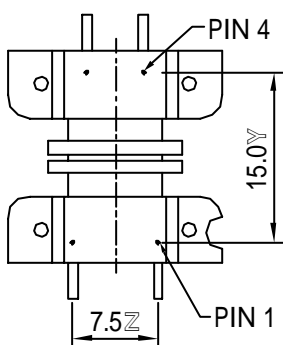
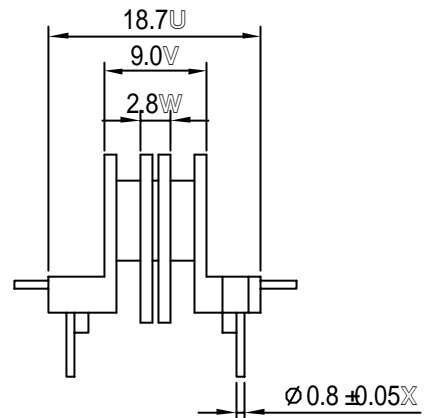
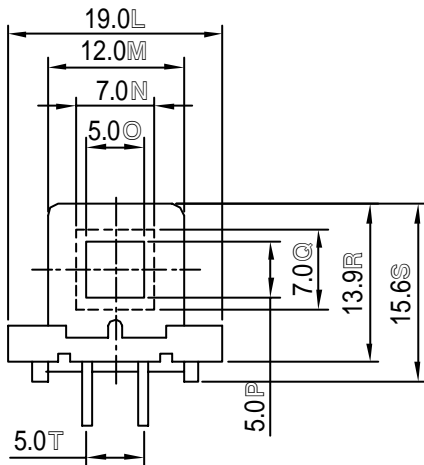
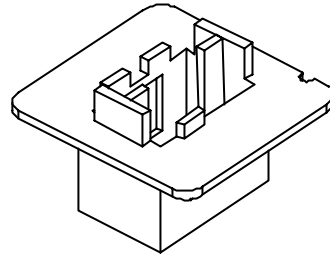
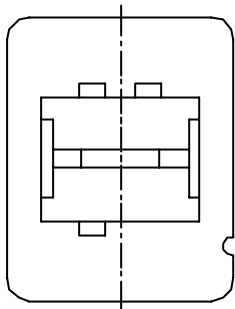
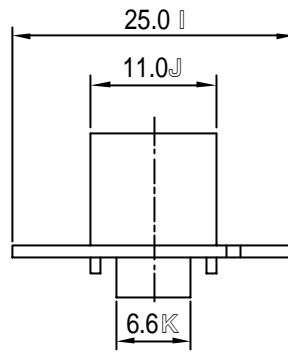
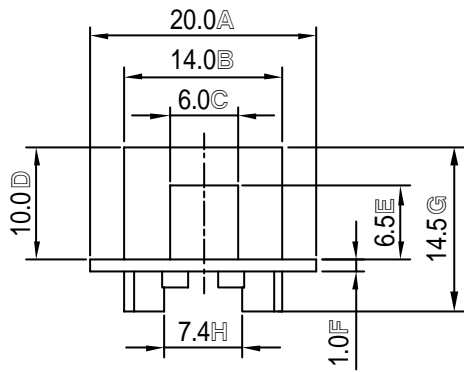
-D1-E19-P12 -



REVISIONS				
ISSUE	SYM	DATE	DRAFTER	CHECKER
NOTE:				

 <b>樹林企業股份有限公司</b> TAIWAN SHULIN ENTERPRISE CO., LTD	MODEL		TF-1909	
	MATERIAL		PHENOLIC	
WEB: www.bobbin.com.tw	UL RATING	UL94V-0	TOLERANCE .X $\pm 0.2$ .XX $\pm 0.15$ PIN PITCH $\pm 0.1$	
e-mail: shulin@bobbin.com.tw	PIN MATERIAL	CP WIRE		
(TAIWAN TAIPEI) TEL: (886)2-2223-1500 FAX: (886)2-2222-4646	EDITION	2.0		
(CHINA DONGGUAN) TEL: (86)769-7730-785 FAX: (86)769-7312-387	DATE	2002/8/15		
(CHINA SUZHOU) TEL: (86)512-6621-0580 FAX: (86)512-6621-0685	SCALE	2/1	UNIT	MM

-D1-E19-P13 -



REVISIONS				
ISSUE	SYM	DATE	DRAFTER	CHECKER
NOTE:				



**樹林企業股份有限公司**  
TAIWAN SHULIN ENTERPRISE CO., LTD

WEB: www.bobbin.com.tw

e-mail: shulin@bobbin.com.tw

(TAIWAN TAIPEI) TEL: (886)2-2223-1500 FAX: (886)2-2222-4646

(CHINA DONGGUAN) TEL: (86)769-7730-785 FAX: (86)769-7312-387

(CHINA SUZHOU) TEL: (86)512-6621-0580 FAX: (86)512-6621-0685

MODEL

TF-1910

MATERIAL

PBT

UL RATING

UL94V-0

TOLERANCE

PIN MATERIAL

CP WIRE

.X ±0.2

EDITION

2.0

.XX ±0.15

DATE

2002/8/15

PIN PITCH ±0.1

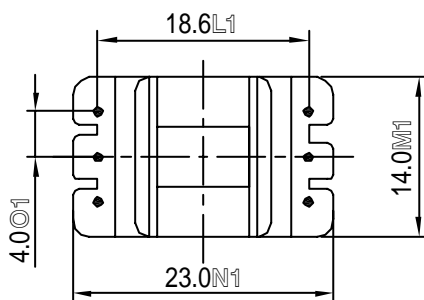
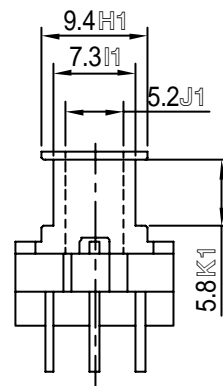
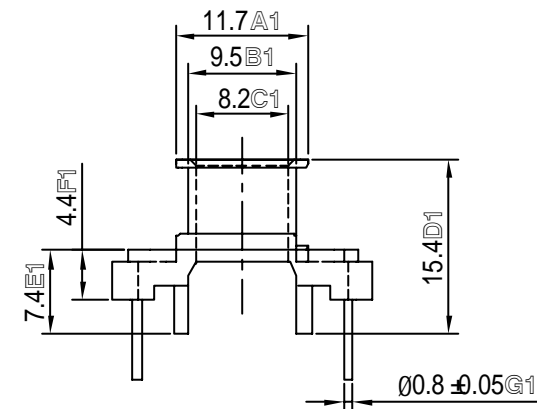
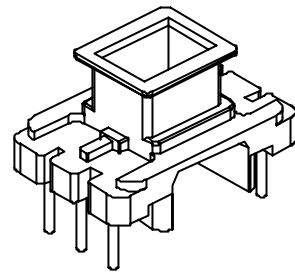
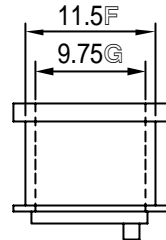
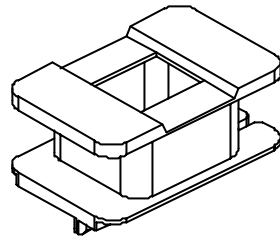
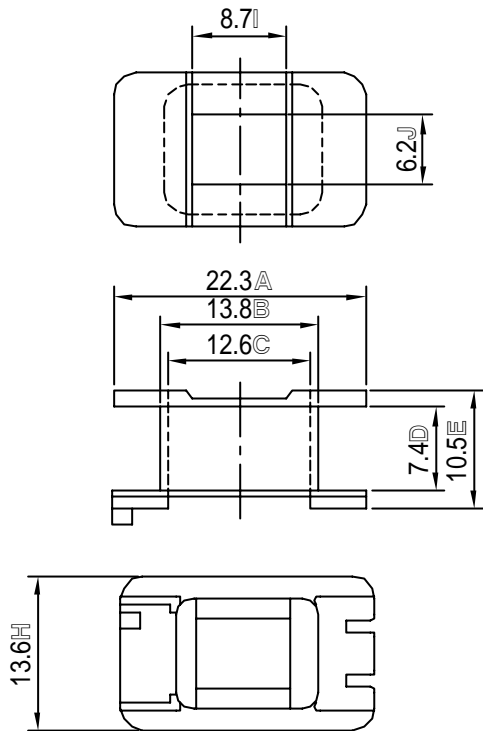
SCALE

1.5/1

UNIT

MM

-D1-E19-P14 -



REVISIONS				
ISSUE	SYM	DATE	DRAFTER	CHECKER
NOTE:				



樹林企業股份有限公司  
TAIWAN SHULIN ENTERPRISE CO., LTD

WEB:www.bobbin.com.tw

e-mail:shulin@bobbin.com.tw

(TAIWAN TAIPEI) TEL:(886)2-2223-1500 FAX:(886)2-2222-4646

(CHINA DONGGUAN) TEL:(86)769-7730-785 FAX:(86)769-7312-387

(CHINA SUZHOU) TEL:(86)512-6621-0580 FAX:(86)512-6621-0685

MODEL

TF-1911

MATERIAL

PHENOLIC NYLON66

UL RATING

UL94V-0

TOLERANCE

PIN MATERIAL

CP WIRE

.X  $\pm 0.2$

EDITION

3.0

.XX  $\pm 0.15$

DATE

2003/8/01

PIN PITCH  $\pm 0.1$

SCALE

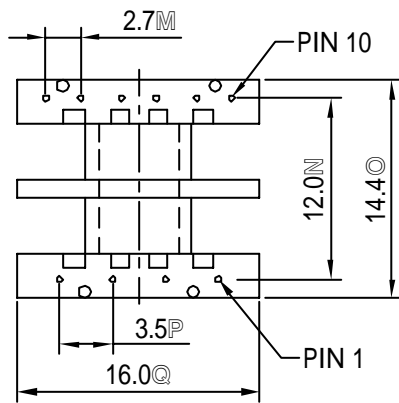
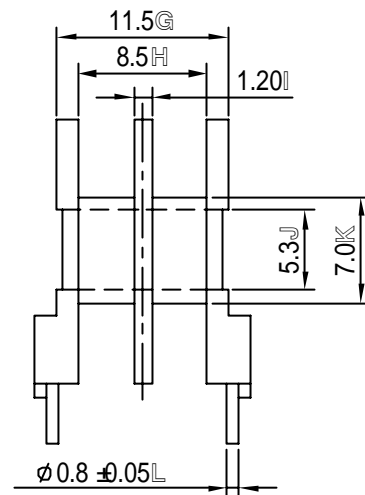
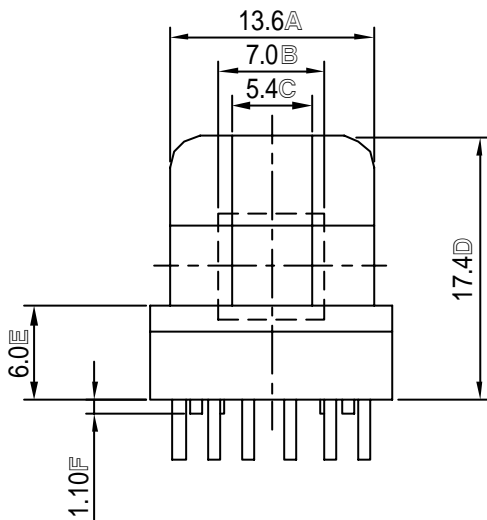
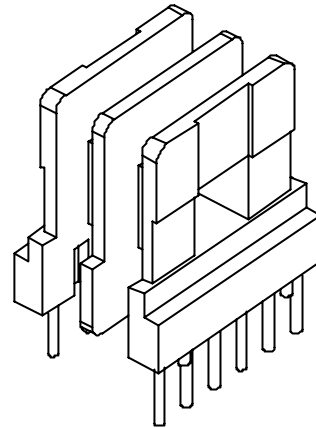
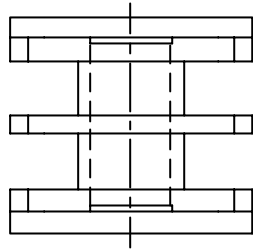
1.5/1

UNIT

MM

-D1-E19-P15 -





REVISIONS				
ISSUE	SYM	DATE	DRAFTER	CHECKER

NOTE:



樹林企業股份有限公司

TAIWAN SHULIN ENTERPRISE CO., LTD

WEB: www.bobbin.com.tw

e-mail: shulin@bobbin.com.tw

(TAIWAN TAIPEI) TEL: (886)2-2223-1500 FAX: (886)2-2222-4646

(CHINA DONGGUAN) TEL: (86)769-7730-785 FAX: (86)769-7312-387

(CHINA SUZHOU) TEL: (86)512-6621-0580 FAX: (86)512-6621-0685

MODEL

TF-1912

MATERIAL

PHENOLIC

UL RATING

UL94V-0

TOLERANCE

PIN MATERIAL

CP WIRE

.X  $\pm 0.2$

.XX  $\pm 0.15$

EDITION

2.0

PIN PITCH  $\pm 0.1$

DATE

2002/8/15

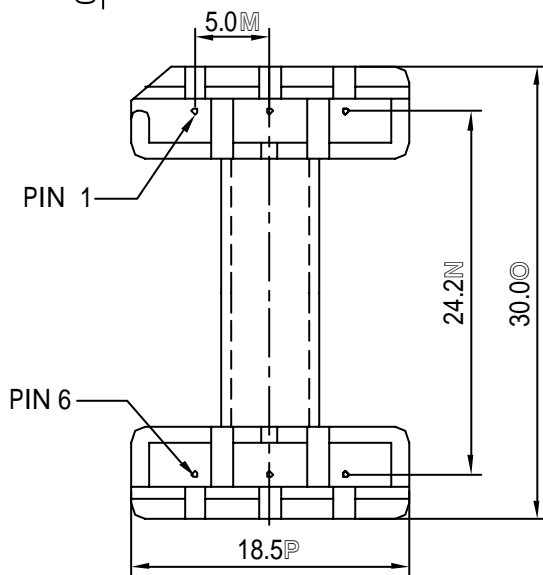
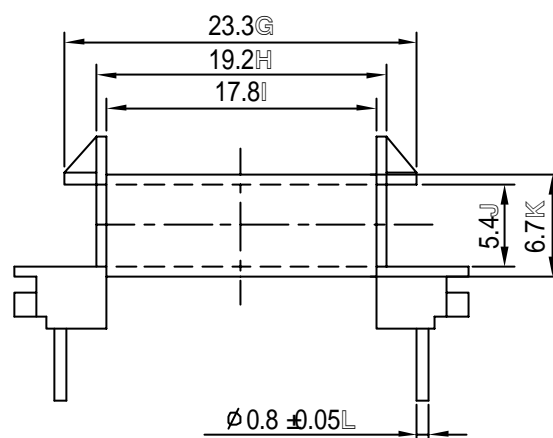
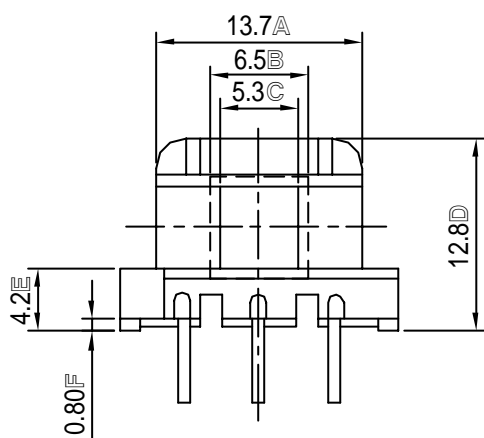
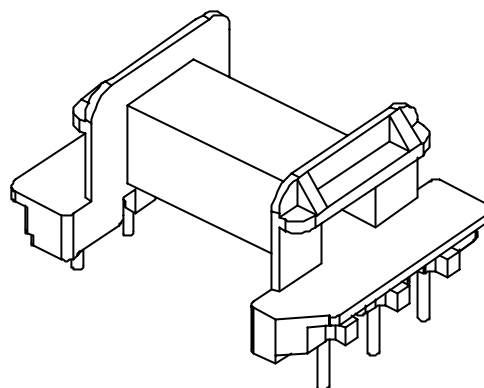
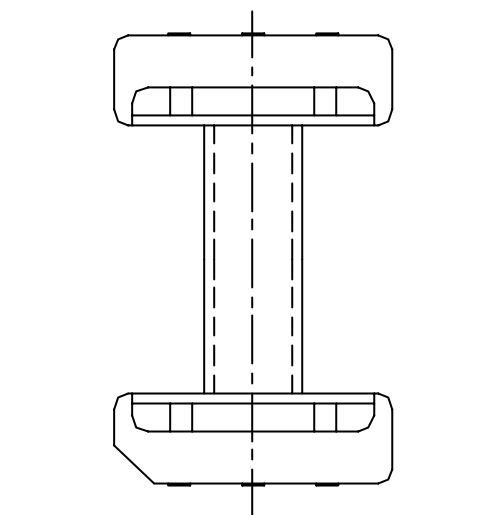
SCALE

2/1

UNIT

MM

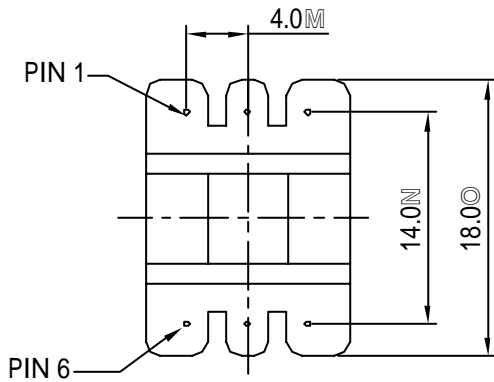
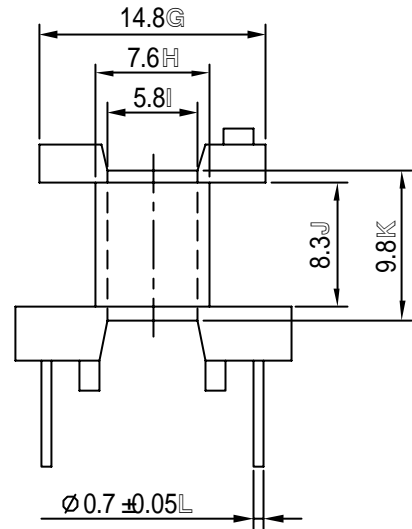
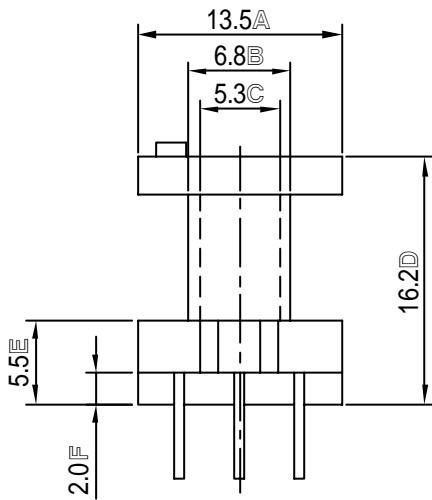
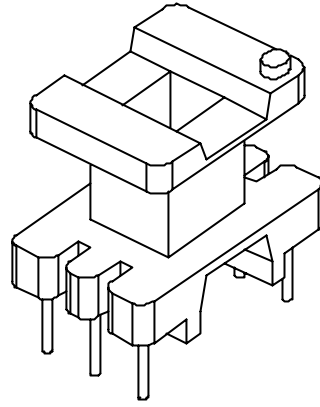
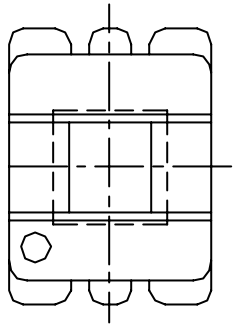
-D1-E19-P16 -



REVISIONS				
ISSUE	SYM	DATE	DRAFTER	CHECKER
NOTE:				

 <b>樹林企業股份有限公司</b> TAIWAN SHULIN ENTERPRISE CO., LTD	MODEL		TF-1913	
	MATERIAL		PHENOLIC	
WEB: www.bobbin.com.tw	UL RATING	UL94V-0	TOLERANCE .X $\pm 0.2$ .XX $\pm 0.15$ PIN PITCH $\pm 0.1$	
e-mail: shulin@bobbin.com.tw	PIN MATERIAL	CP WIRE		
(TAIWAN TAIPEI) TEL: (886)2-2223-1500 FAX: (886)2-2222-4646	EDITION	2.0		
(CHINA DONGGUAN) TEL: (86)769-7730-785 FAX: (86)769-7312-387	DATE	2002/8/15		
(CHINA SUZHOU) TEL: (86)512-6621-0580 FAX: (86)512-6621-0685	SCALE	2/1	UNIT	MM

-D1-E19-P17 -



REVISIONS				
ISSUE	SYM	DATE	DRAFTER	CHECKER

NOTE:



**樹林企業股份有限公司**

TAIWAN SHULIN ENTERPRISE CO., LTD

WEB: [www.bobbin.com.tw](http://www.bobbin.com.tw)

e-mail: [shulin@bobbin.com.tw](mailto:shulin@bobbin.com.tw)

(TAIWAN TAIPEI) TEL: (886)2-2223-1500 FAX: (886)2-2222-4646

(CHINA DONGGUAN) TEL: (86)769-7730-785 FAX: (86)769-7312-387

(CHINA SUZHOU) TEL: (86)512-6621-0580 FAX: (86)512-6621-0685

MODEL

TF-1914

MATERIAL

PHENOLIC

UL RATING

UL94V-0

TOLERANCE

PIN MATERIAL

CP WIRE

.X ±0.2

.XX ±0.15

EDITION

2.0

PIN PITCH ±0.1

DATE

2002/8/15

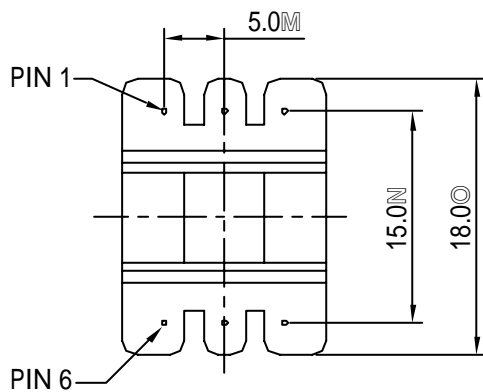
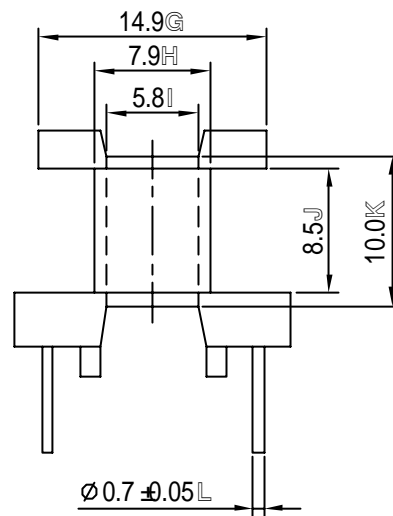
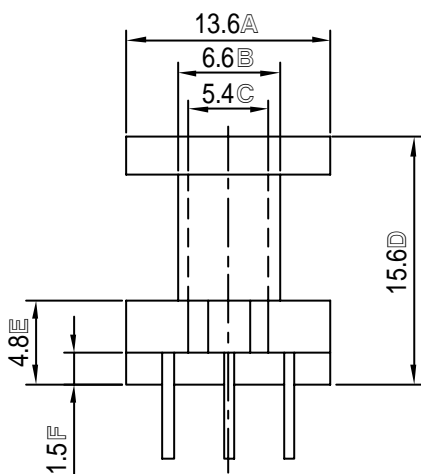
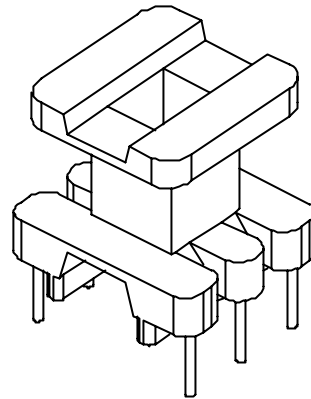
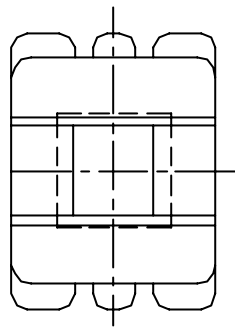
SCALE

2/1

UNIT

MM

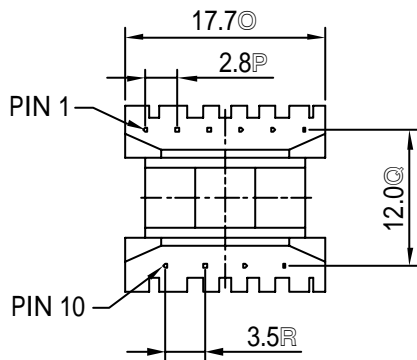
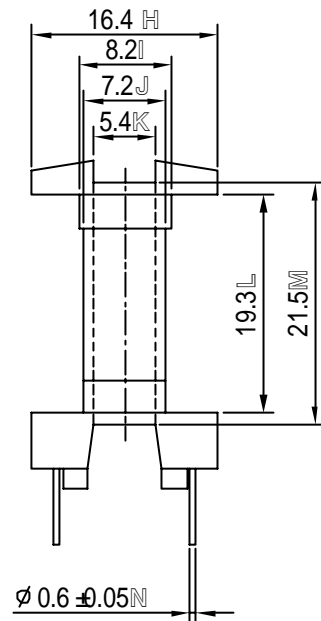
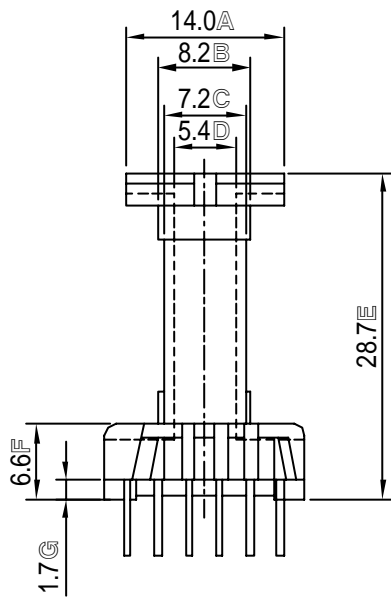
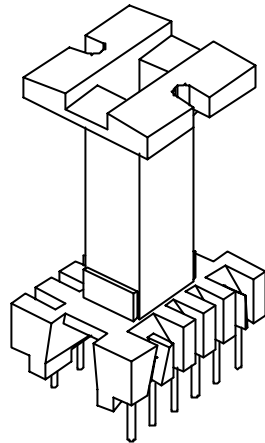
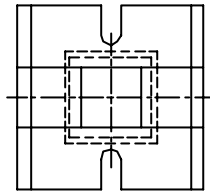
-D1-E19-P18 -



REVISIONS				
ISSUE	SYM	DATE	DRAFTER	CHECKER
NOTE:				

 <b>樹林企業股份有限公司</b> TAIWAN SHULIN ENTERPRISE CO., LTD	MODEL	TF-1915		
	MATERIAL	PHENOLIC		
WEB: www.bobbin.com.tw	UL RATING	UL94V-0	TOLERANCE .X $\pm 0.2$ .XX $\pm 0.15$ PIN PITCH $\pm 0.1$	
e-mail: shulin@bobbin.com.tw	PIN MATERIAL	CP WIRE		
(TAIWAN TAIPEI) TEL:(886)2-2223-1500 FAX:(886)2-2222-4646	EDITION	2.0		
(CHINA DONGGUAN) TEL:(86)769-7730-785 FAX:(86)769-7312-387	DATE	2002/8/15		
(CHINA SUZHOU) TEL:(86)512-6621-0580 FAX:(86)512-6621-0685	SCALE	2/1	UNIT	MM

-D1-E19-P19 -



REVISIONS				
ISSUE	SYM	DATE	DRAFTER	CHECKER
NOTE:				



樹林企業股份有限公司

TAIWAN SHULIN ENTERPRISE CO., LTD

WEB: www.bobbin.com.tw

e-mail: shulin@bobbin.com.tw

(TAIWAN TAIPEI) TEL: (886)2-2223-1500 FAX: (886)2-2222-4646

(CHINA DONGGUAN) TEL: (86)769-7730-785 FAX: (86)769-7312-387

(CHINA SUZHOU) TEL: (86)512-6621-0580 FAX: (86)512-6621-0685

MODEL

TF-1916

MATERIAL

PHENOLIC

UL RATING

UL94V-0

TOLERANCE

PIN MATERIAL

CP WIRE

.X  $\pm 0.2$

.XX  $\pm 0.15$

EDITION

2.0

PIN PITCH  $\pm 0.1$

DATE

2002/8/15

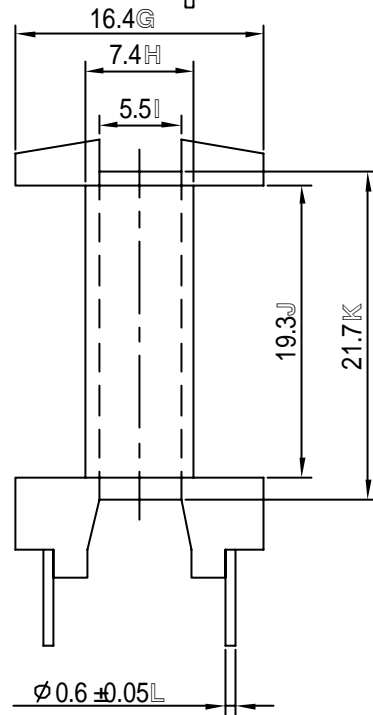
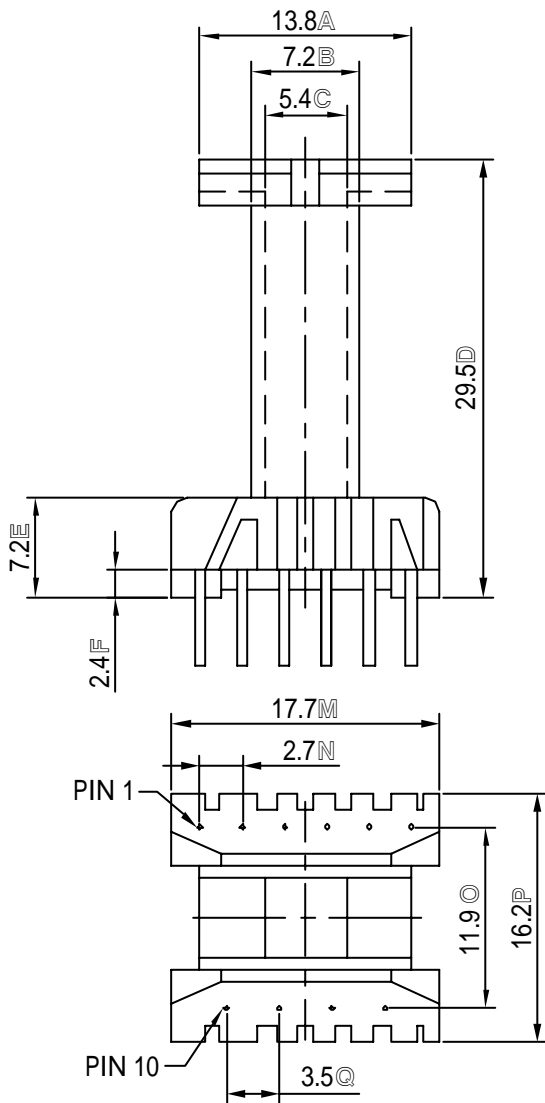
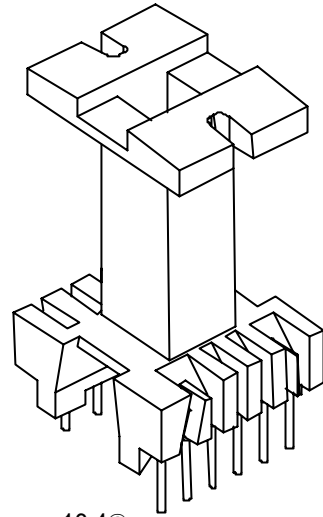
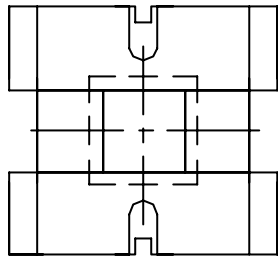
SCALE

1.5/1

UNIT

MM

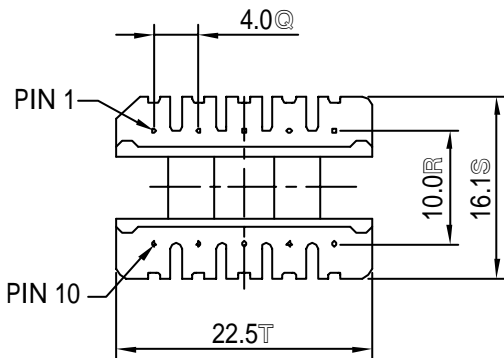
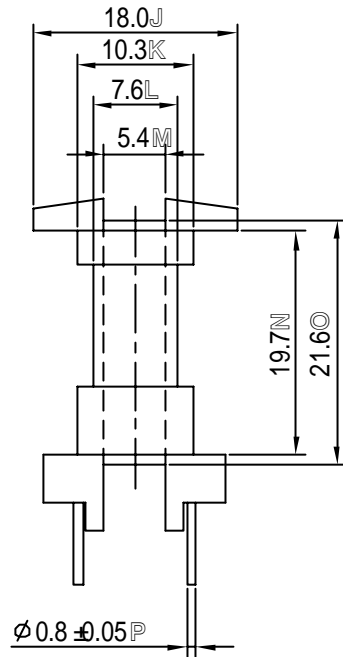
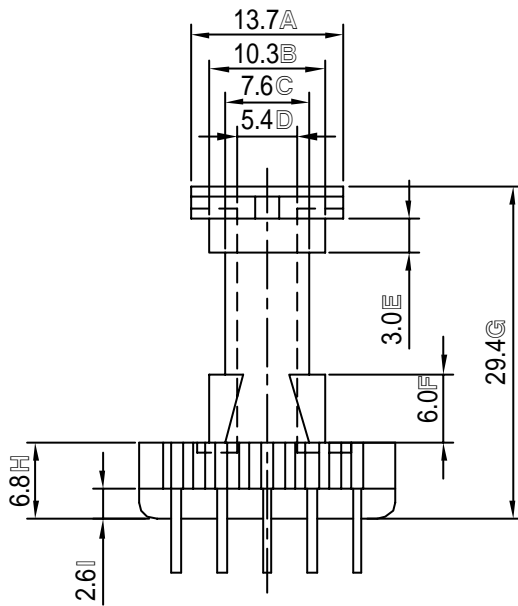
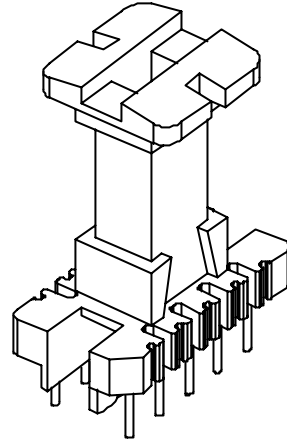
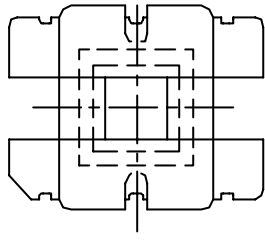
-D1-E19-P20 -



REVISIONS				
ISSUE	SYM	DATE	DRAFTER	CHECKER
NOTE:				

 <b>樹林企業股份有限公司</b> TAIWAN SHULIN ENTERPRISE CO., LTD	MODEL		TF-1916-1	
	MATERIAL		PHENOLIC	
WEB:www.bobbin.com.tw	UL RATING	UL94V-0	TOLERANCE  .X $\pm 0.2$ .XX $\pm 0.15$ PIN PITCH $\pm 0.1$	
e-mail:shulin@bobbin.com.tw	PIN MATERIAL	CP WIRE		
(TAIWAN TAIPEI) TEL: (886)2-2223-1500 FAX: (886)2-2222-4646	EDITION	2.0		
(CHINA DONGGUAN) TEL: (86)769-7730-785 FAX: (86)769-7312-387	DATE	2002/8/15		
(CHINA SUZHOU) TEL: (86)512-6621-0580 FAX: (86)512-6621-0685	SCALE	2/1	UNIT	MM

-D1-E19-P21 -



REVISIONS				
ISSUE	SYM	DATE	DRAFTER	CHECKER

NOTE:



**樹林企業股份有限公司**

TAIWAN SHULIN ENTERPRISE CO., LTD

WEB: www.bobbin.com.tw

e-mail: shulin@bobbin.com.tw

(TAIWAN TAIPEI) TEL: (886)2-2223-1500 FAX: (886)2-2222-4646

(CHINA DONGGUAN) TEL: (86)769-7730-785 FAX: (86)769-7312-387

(CHINA SUZHOU) TEL: (86)512-6621-0580 FAX: (86)512-6621-0685

MODEL

TF-1917

MATERIAL

PHENOLIC

UL RATING

UL94V-0

TOLERANCE

PIN MATERIAL

CP WIRE

.X  $\pm 0.2$

.XX  $\pm 0.15$

EDITION

2.0

PIN PITCH  $\pm 0.1$

DATE

2002/8/15

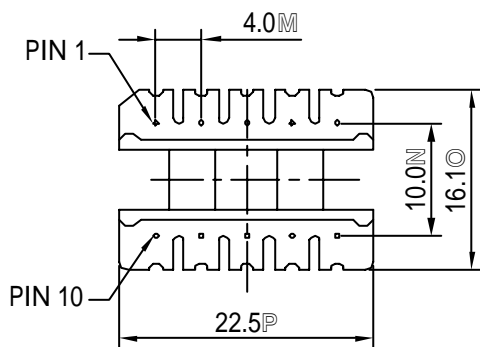
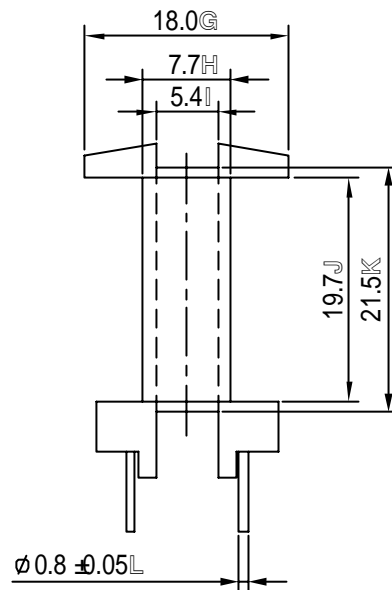
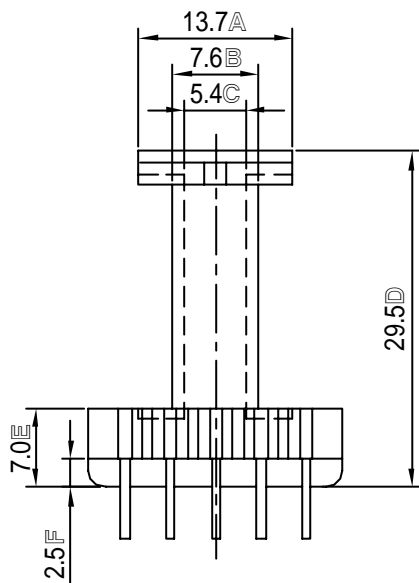
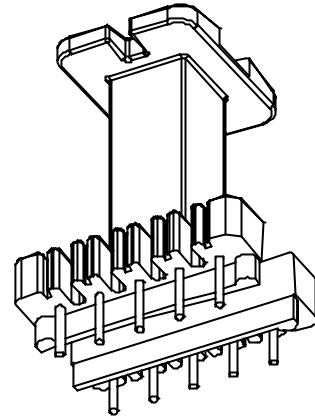
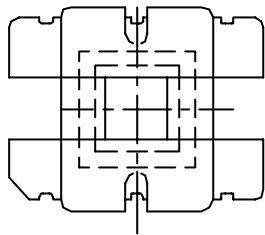
SCALE

1.5/1

UNIT

MM

-D1-E19-P22 -

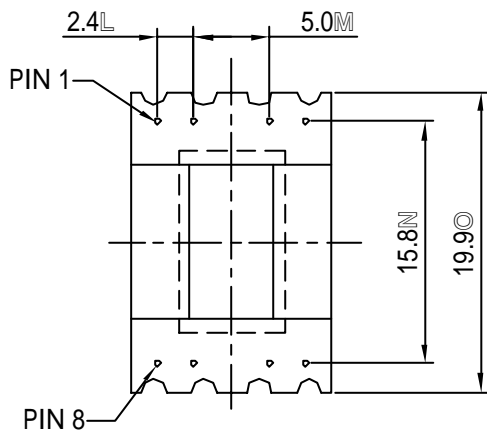
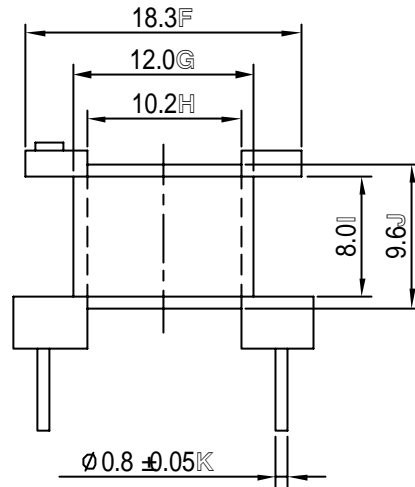
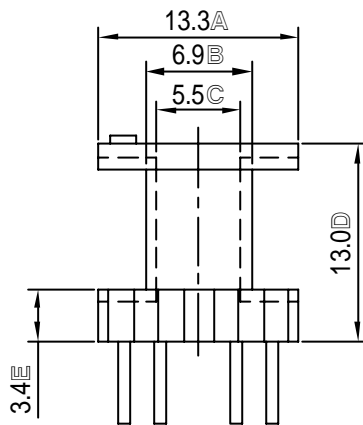
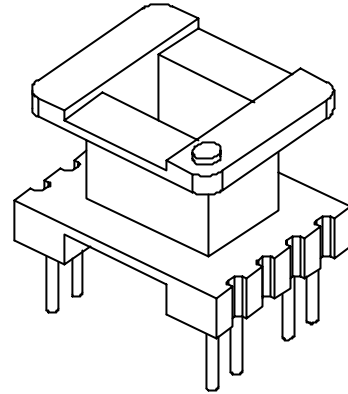
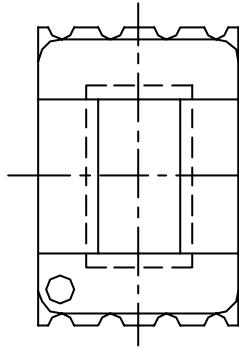


REVISIONS				
ISSUE	SYM	DATE	DRAFTER	CHECKER
NOTE:				

 <b>樹林企業股份有限公司</b> TAIWAN SHULIN ENTERPRISE CO., LTD	MODEL		TF-1917-1	
	MATERIAL		PHENOLIC	
WEB: www.bobbin.com.tw	UL RATING	UL94V-0	TOLERANCE  .X $\pm 0.2$ .XX $\pm 0.15$ PIN PITCH $\pm 0.1$	
e-mail: shulin@bobbin.com.tw	PIN MATERIAL	CP WIRE		
(TAIWAN TAIPEI) TEL: (886)2-2223-1500 FAX: (886)2-2222-4646	EDITION	2.0		
(CHINA DONGGUAN) TEL: (86)769-7730-785 FAX: (86)769-7312-387	DATE	2002/8/15		
(CHINA SUZHOU) TEL: (86)512-6621-0580 FAX: (86)512-6621-0685	SCALE	2/1	UNIT	MM

-D1-E19-P23 -





REVISIONS				
ISSUE	SYM	DATE	DRAFTER	CHECKER

NOTE:



樹林企業股份有限公司

TAIWAN SHULIN ENTERPRISE CO., LTD

WEB: www.bobbin.com.tw

e-mail: shulin@bobbin.com.tw

(TAIWAN TAIPEI) TEL: (886)2-2223-1500 FAX: (886)2-2222-4646

(CHINA DONGGUAN) TEL: (86)769-7730-785 FAX: (86)769-7312-387

(CHINA SUZHOU) TEL: (86)512-6621-0580 FAX: (86)512-6621-0685

MODEL

TF-1918

MATERIAL

PHENOLIC

UL RATING

UL94V-0

TOLERANCE

PIN MATERIAL

CP WIRE

.X  $\pm 0.2$

.XX  $\pm 0.15$

EDITION

2.0

PIN PITCH  $\pm 0.1$

DATE

2002/8/15

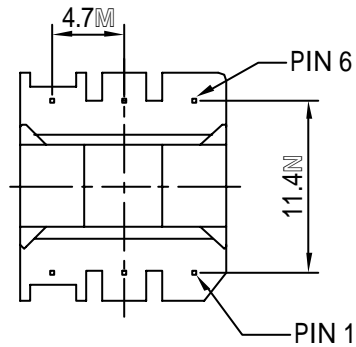
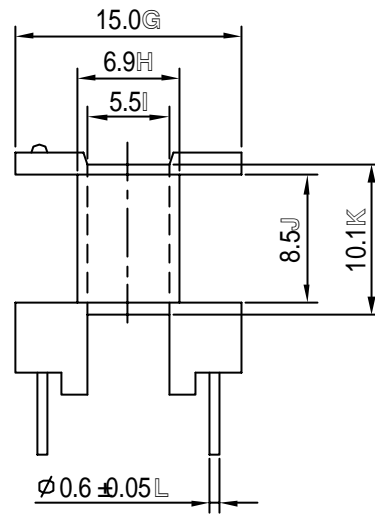
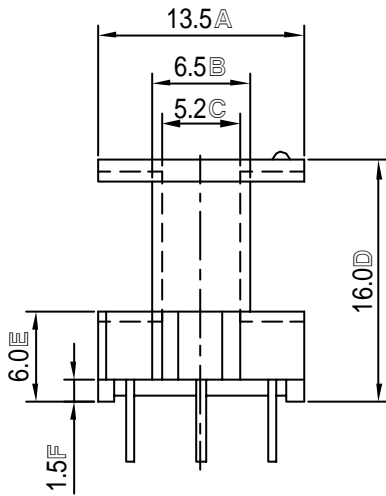
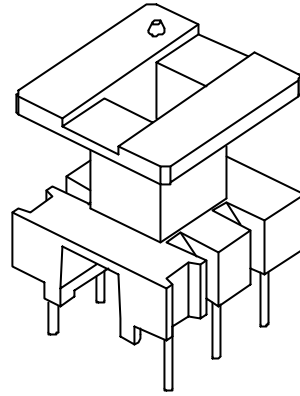
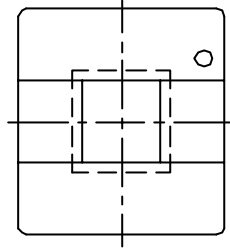
SCALE

2/1

UNIT

MM

-D1-E19-P24 -



REVISIONS				
ISSUE	SYM	DATE	DRAFTER	CHECKER

NOTE:



樹林企業股份有限公司

TAIWAN SHULIN ENTERPRISE CO., LTD

WEB: www.bobbin.com.tw

e-mail: shulin@bobbin.com.tw

(TAIWAN TAIPEI) TEL: (886)2-2223-1500 FAX: (886)2-2222-4646

(CHINA DONGGUAN) TEL: (86)769-7730-785 FAX: (86)769-7312-387

(CHINA SUZHOU) TEL: (86)512-6621-0580 FAX: (86)512-6621-0685

MODEL

TF-1919

MATERIAL

PHENOLIC

UL RATING

UL94V-0

TOLERANCE

PIN MATERIAL

CP WIRE

.X  $\pm 0.2$

.XX  $\pm 0.15$

EDITION

2.0

PIN PITCH  $\pm 0.1$

DATE

2002/8/15

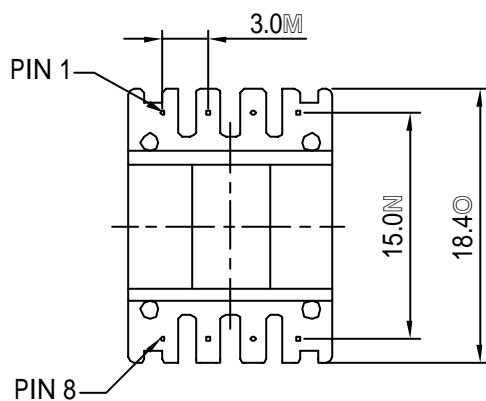
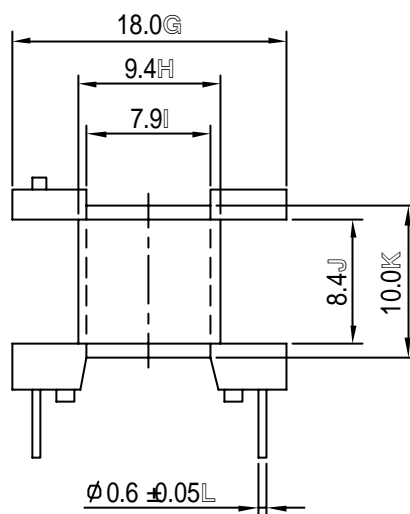
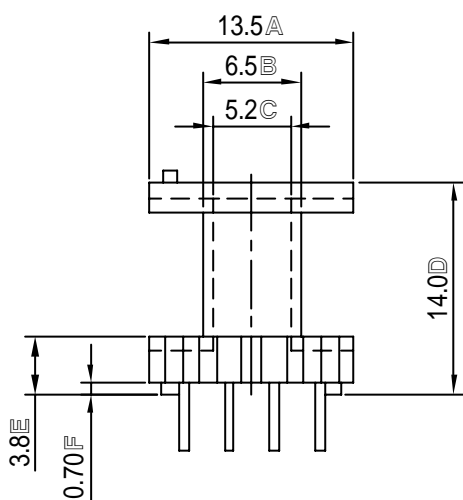
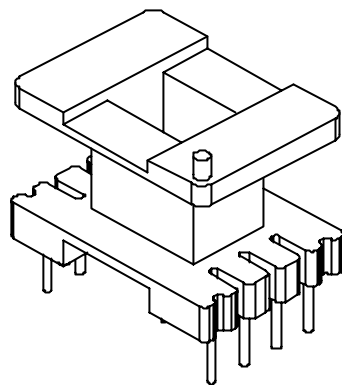
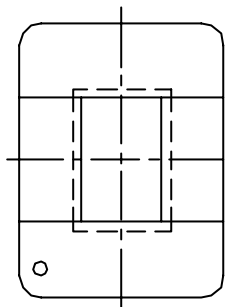
SCALE

2/1

UNIT

MM

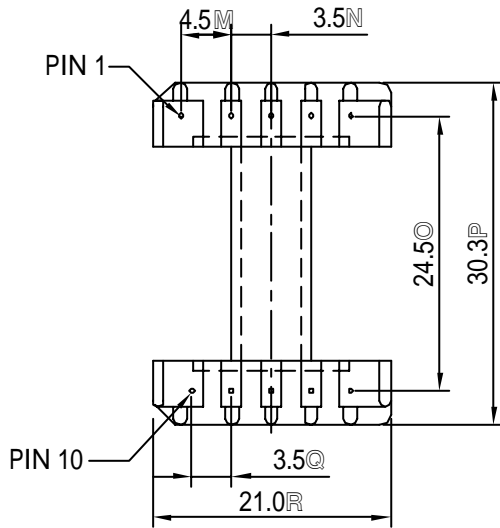
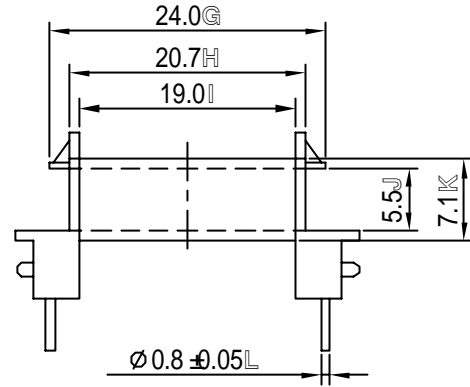
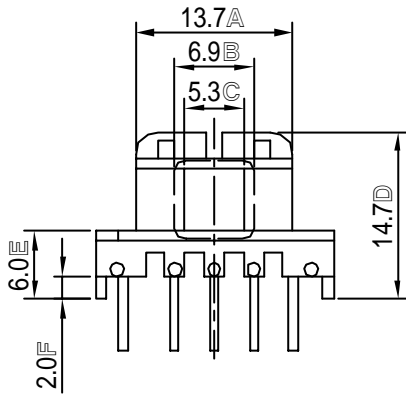
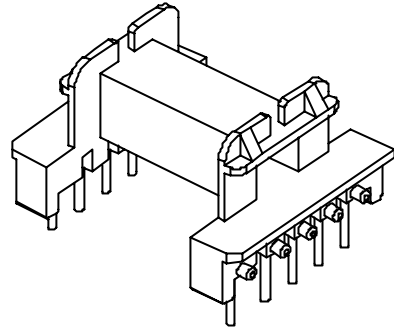
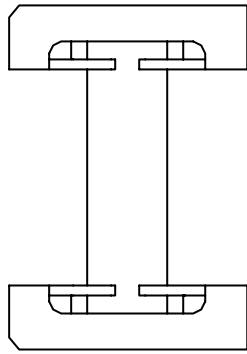
-D1-E19-P25 -



REVISIONS				
ISSUE	SYM	DATE	DRAFTER	CHECKER
NOTE:				

 <b>樹林企業股份有限公司</b> TAIWAN SHULIN ENTERPRISE CO., LTD	MODEL	TF-1920		
	MATERIAL	PHENOLIC		
WEB: www.bobbin.com.tw	UL RATING	UL94V-0	TOLERANCE .X $\pm 0.2$ .XX $\pm 0.15$ PIN PITCH $\pm 0.1$	
e-mail: shulin@bobbin.com.tw	PIN MATERIAL	CP WIRE		
(TAIWAN TAIPEI) TEL: (886)2-2223-1500 FAX: (886)2-2222-4646	EDITION	2.0		
(CHINA DONGGUAN) TEL: (86)769-7730-785 FAX: (86)769-7312-387	DATE	2002/8/15		
(CHINA SUZHOU) TEL: (86)512-6621-0580 FAX: (86)512-6621-0685	SCALE	2/1	UNIT	MM

-D1-E19-P26 -



REVISIONS				
ISSUE	SYM	DATE	DRAFTER	CHECKER

NOTE:



樹林企業股份有限公司

TAIWAN SHULIN ENTERPRISE CO., LTD

WEB: www.bobbin.com.tw

e-mail: shulin@bobbin.com.tw

(TAIWAN TAIPEI) TEL: (886)2-2223-1500 FAX: (886)2-2222-4646

(CHINA DONGGUAN) TEL: (86)769-7730-785 FAX: (86)769-7312-387

(CHINA SUZHOU) TEL: (86)512-6621-0580 FAX: (86)512-6621-0685

MODEL

TF-1921

MATERIAL

PHENOLIC

UL RATING

UL94V-0

TOLERANCE

PIN MATERIAL

CP WIRE

.X  $\pm 0.2$

.XX  $\pm 0.15$

EDITION

2.0

DATE

2002/8/15

PIN PITCH  $\pm 0.1$

SCALE

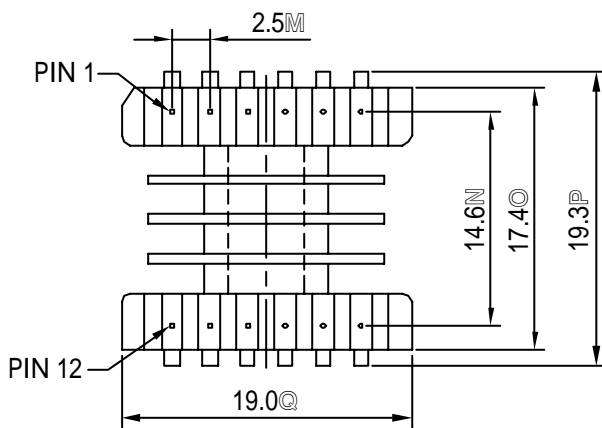
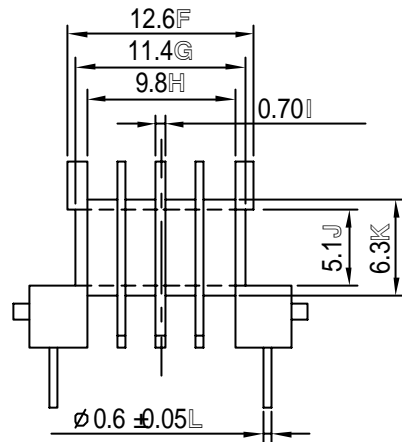
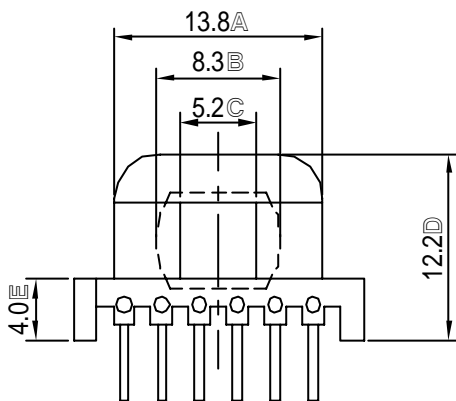
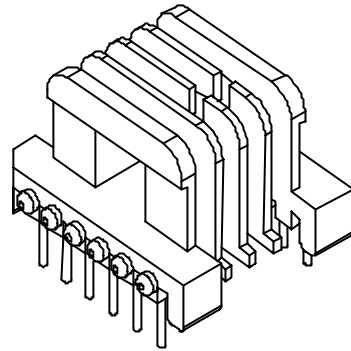
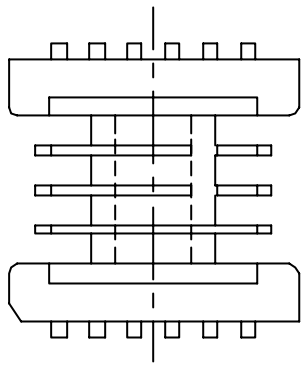
1.5/1

UNIT

MM

-D1-E19-P27 -

本图面版权属台湾树林，本人仅将其汇总。不承担任何法律责任！！QQ: 195502110



REVISIONS				
ISSUE	SYM	DATE	DRAFTER	CHECKER

NOTE:



樹林企業股份有限公司

TAIWAN SHULIN ENTERPRISE CO., LTD

WEB:www.bobbin.com.tw

e-mail:shulin@bobbin.com.tw

(TAIWAN TAIPEI) TEL: (886)2-2223-1500 FAX: (886)2-2222-4646

(CHINA DONGGUAN) TEL: (86)769-7730-785 FAX: (86)769-7312-387

(CHINA SUZHOU) TEL: (86)512-6621-0580 FAX: (86)512-6621-0685

MODEL

TF-1922

MATERIAL

PHENOLIC

UL RATING

UL94V-0

PIN MATERIAL

CP WIRE

EDITION

2.0

DATE

2002/8/15

SCALE

2/1

TOLERANCE

.X  $\pm 0.2$

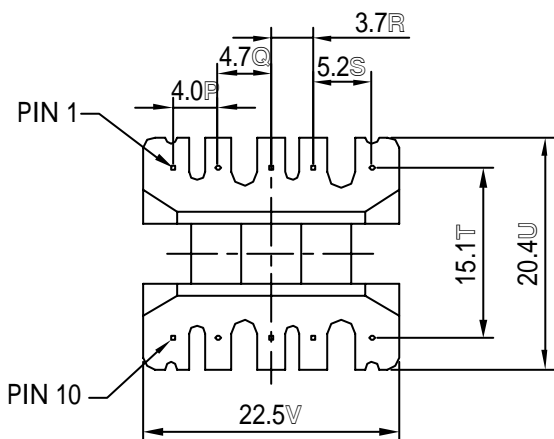
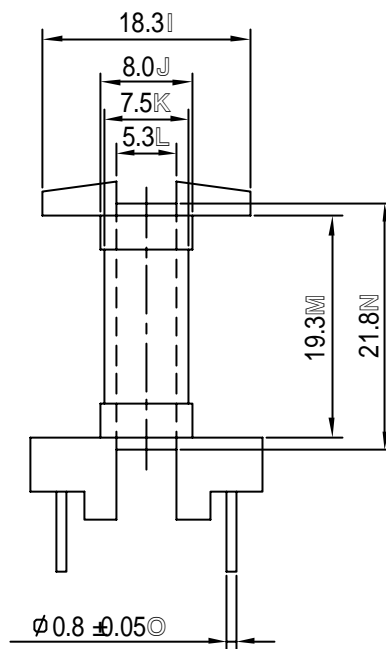
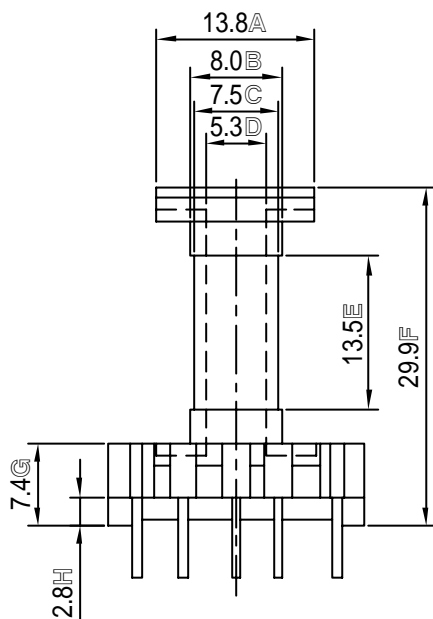
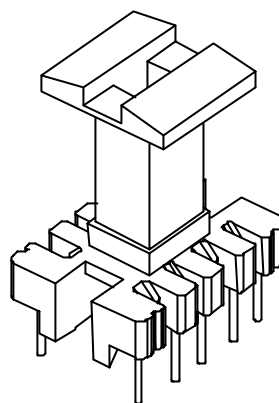
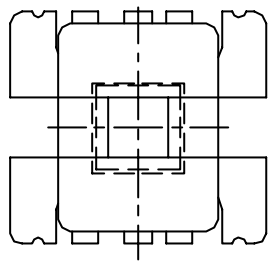
.XX  $\pm 0.15$

PIN PITCH  $\pm 0.1$

UNIT


MM

-D1-E19-P28 -

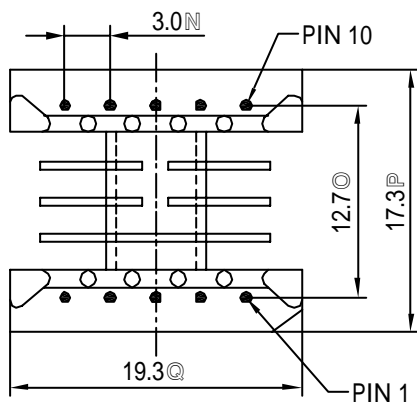
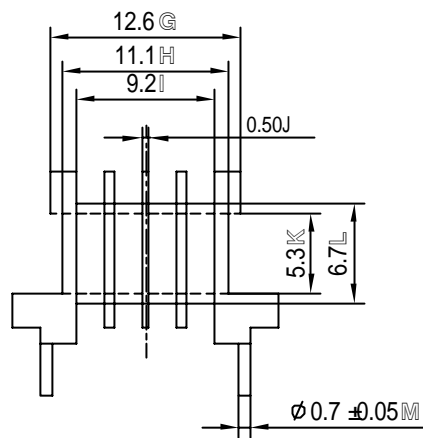
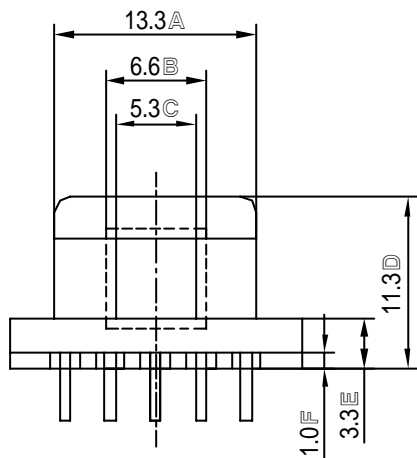
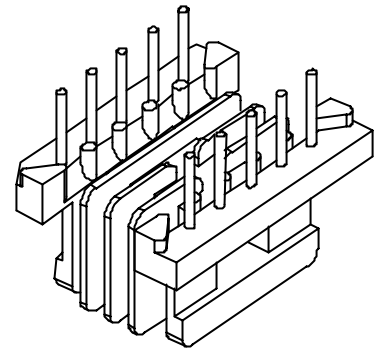
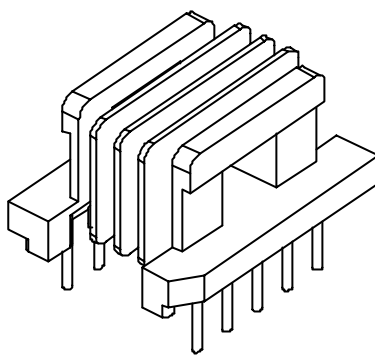
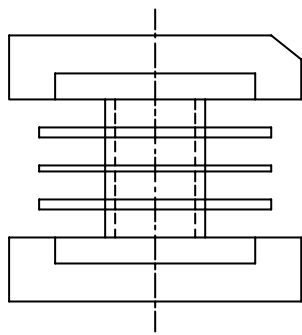


REVISIONS				
ISSUE	SYM	DATE	DRAFTER	CHECKER

NOTE:

 <b>樹林企業股份有限公司</b> TAIWAN SHULIN ENTERPRISE CO., LTD	MODEL		TF-1923	
	MATERIAL		PHENOLIC	
WEB:www.bobbin.com.tw	UL RATING	UL94V-0	TOLERANCE .X $\pm 0.2$ .XX $\pm 0.15$ PIN PITCH $\pm 0.1$	
e-mail:shulin@bobbin.com.tw	PIN MATERIAL	CP WIRE		
(TAIWAN TAIPEI) TEL:(886)2-2223-1500 FAX:(886)2-2222-4646	EDITION	2.0		
(CHINA DONGGUAN) TEL:(86)769-7730-785 FAX:(86)769-7312-387	DATE	2002/8/15		
(CHINA SUZHOU) TEL:(86)512-6621-0580 FAX:(86)512-6621-0685	SCALE	1.5/1	UNIT	MM

-D1-E19-P29 -



REVISIONS				
ISSUE	SYM	DATE	DRAFTER	CHECKER

NOTE:



樹林企業股份有限公司

TAIWAN SHULIN ENTERPRISE CO., LTD

MODEL

TF-1924

MATERIAL

PHENOLIC

WEB:www.bobbin.com.tw

UL RATING

UL94V-0

TOLERANCE

e-mail:shulin@bobbin.com.tw

PIN MATERIAL

CP WIRE

.X  $\pm 0.2$

(TAIWAN TAIPEI) TEL:(886)2-2223-1500 FAX:(886)2-2222-4646

EDITION

2.0

.XX  $\pm 0.15$

(CHINA DONGGUAN) TEL:(86)769-7730-785 FAX:(86)769-7312-387

DATE

2002/8/15

PIN PITCH  $\pm 0.1$

(CHINA SUZHOU) TEL:(86)512-6621-0580 FAX:(86)512-6621-0685

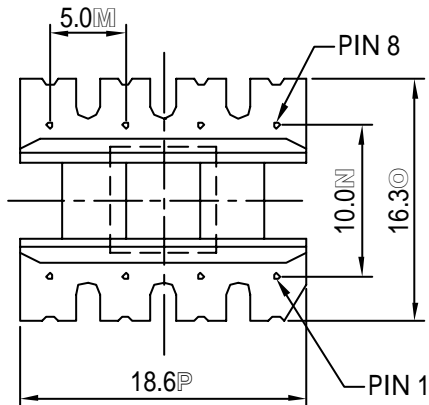
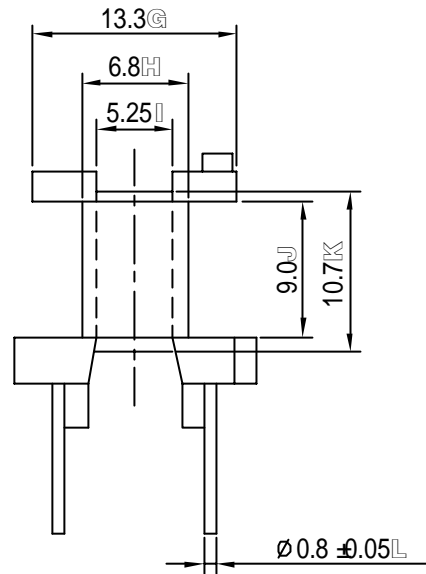
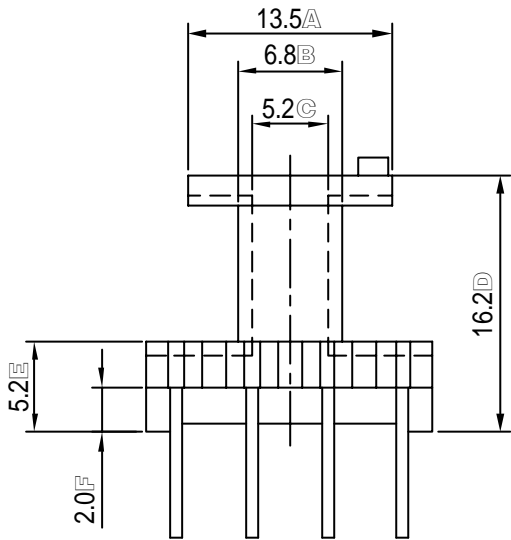
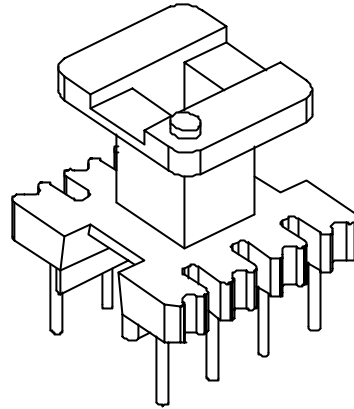
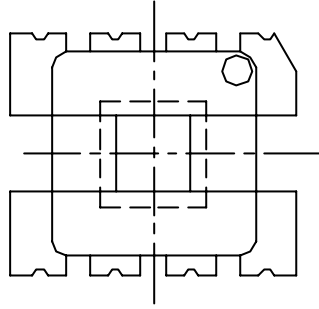
SCALE

2/1

UNIT

MM

-D1-E19-P30 -



REVISIONS				
ISSUE	SYM	DATE	DRAFTER	CHECKER

NOTE:



樹林企業股份有限公司

TAIWAN SHULIN ENTERPRISE CO., LTD

WEB: www.bobbin.com.tw

e-mail: shulin@bobbin.com.tw

(TAIWAN TAIPEI) TEL: (886)2-2223-1500 FAX: (886)2-2222-4646

(CHINA DONGGUAN) TEL: (86)769-7730-785 FAX: (86)769-7312-387

(CHINA SUZHOU) TEL: (86)512-6621-0580 FAX: (86)512-6621-0685

MODEL

TF-1925

MATERIAL

PHENOLIC

UL RATING

UL94V-0

PIN MATERIAL

CP WIRE

EDITION

2.0

DATE

2002/8/15

SCALE

2/1

TOLERANCE

.X  $\pm 0.2$

.XX  $\pm 0.15$

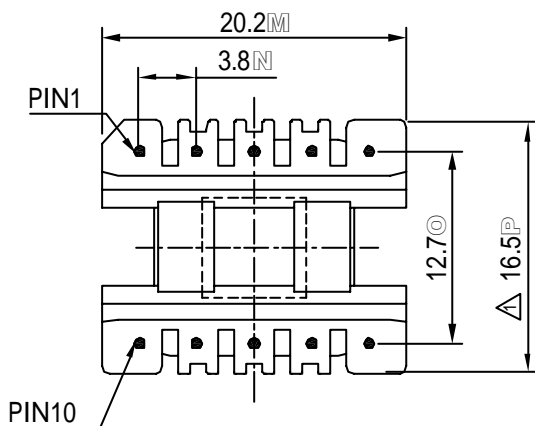
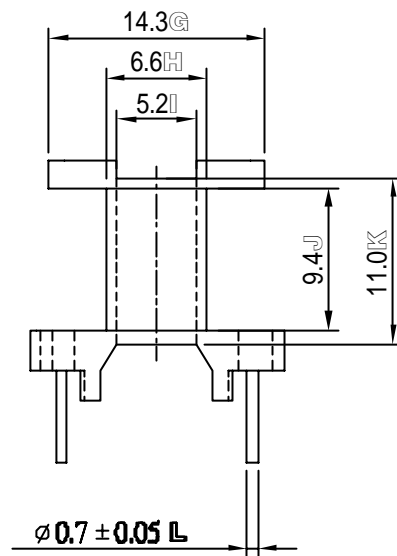
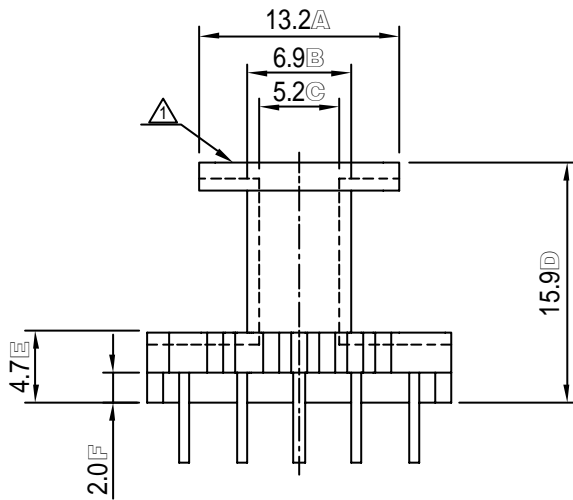
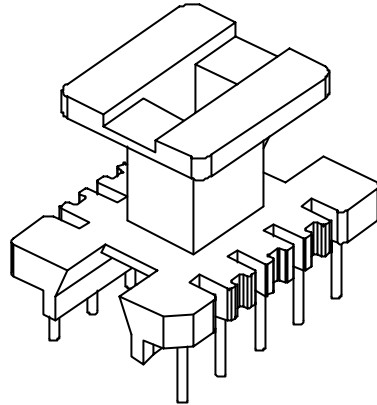
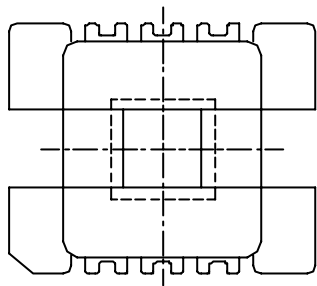
PIN PITCH  $\pm 0.1$

UNIT

MM

- D1-E19-P31 -





REVISIONS				
ISSUE	SYM	DATE	DRAFTER	CHECKER
1.	△	2003/2/17	LI HUA HONG	C.H.WANG
NOTE:				



樹林企業股份有限公司

TAIWAN SHULIN ENTERPRISE CO., LTD

MODEL

TF-1926

MATERIAL

PHENOLIC

WEB:www.bobbin.com.tw

UL RATING

UL94V-0

TOLERANCE

e-mail:shulin@bobbin.com.tw

PIN MATERIAL

CP WIRE

.X ±0.2

(TAIWAN TAIPEI) TEL:(886)2-2223-1500 FAX:(886)2-2222-4646

EDITION

2.0A

.XX ±0.15

(CHINA DONGGUAN) TEL:(86)769-7730-785 FAX:(86)769-7312-387

DATE

2003/2/17

PIN PITCH ±0.1

(CHINA SUZHOU) TEL:(86)512-6621-0580 FAX:(86)512-6621-0685

SCALE

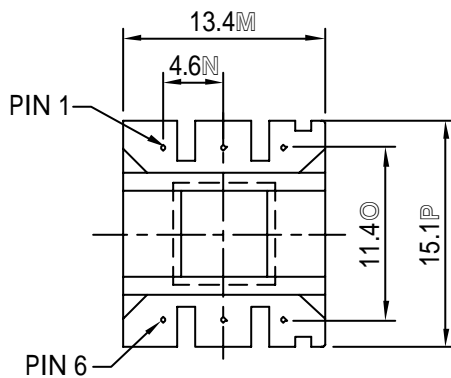
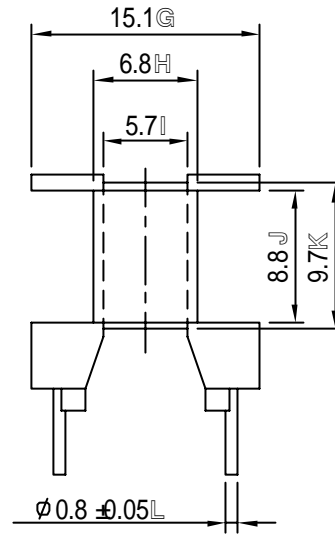
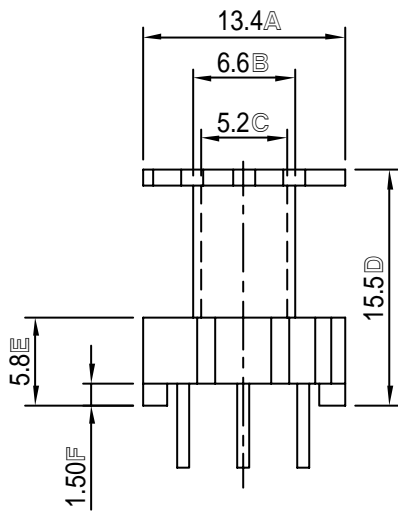
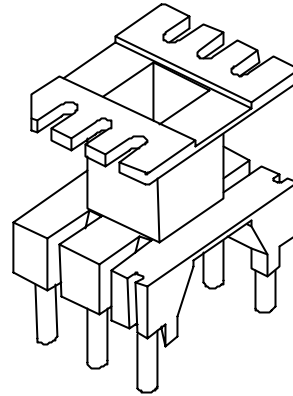
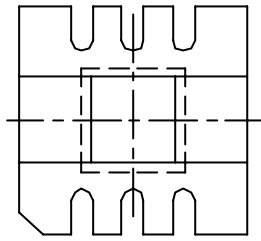
2/1

UNIT

MM

-D1-E19-P32 -

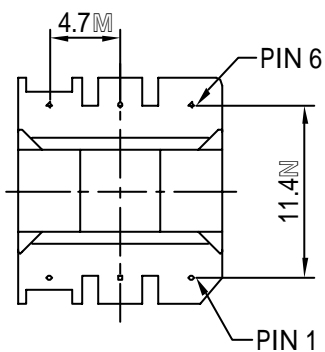
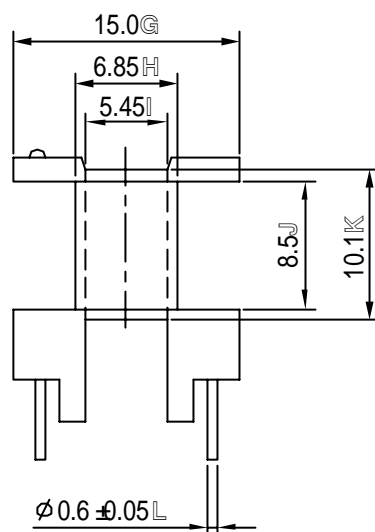
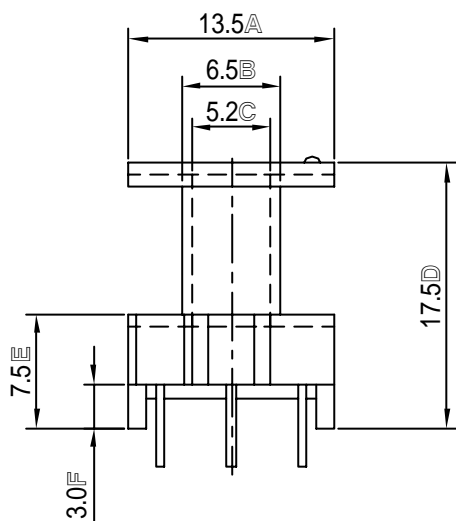
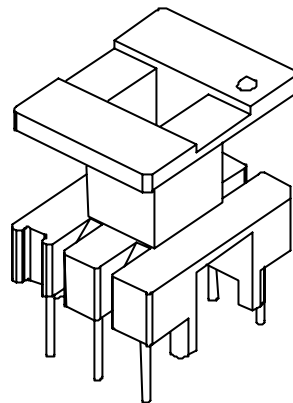
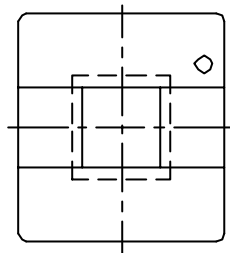
本图面版权属台湾树林，本人仅将其汇总。不承担任何法律责任！！QQ：195502110



REVISIONS				
ISSUE	SYM	DATE	DRAFTER	CHECKER
NOTE:				

 <b>樹林企業股份有限公司</b> TAIWAN SHULIN ENTERPRISE CO., LTD	MODEL		TF-1927	
	MATERIAL		PBT	
WEB: www.bobbin.com.tw	UL RATING	UL94V-0	TOLERANCE .X $\pm 0.2$ .XX $\pm 0.15$ PIN PITCH $\pm 0.1$	
e-mail: shulin@bobbin.com.tw	PIN MATERIAL	CP WIRE		
(TAIWAN TAIPEI) TEL: (886)2-2223-1500 FAX: (886)2-2222-4646	EDITION	2.0		
(CHINA DONGGUAN) TEL: (86)769-7730-785 FAX: (86)769-7312-387	DATE	2002/8/15	UNIT	MM
(CHINA SUZHOU) TEL: (86)512-6621-0580 FAX: (86)512-6621-0685	SCALE	2/1		

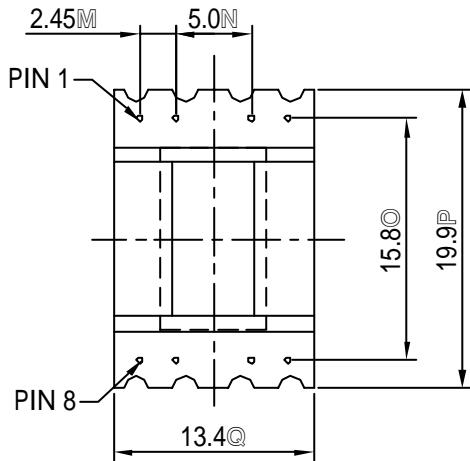
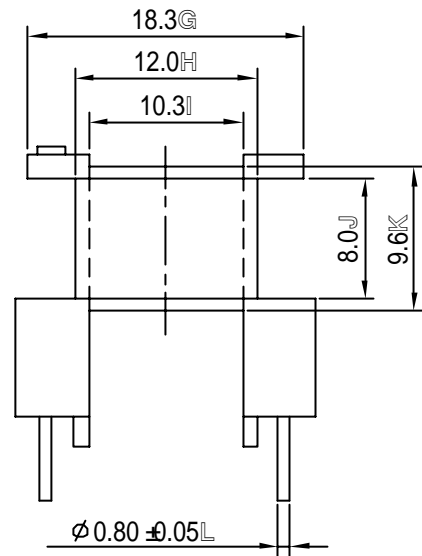
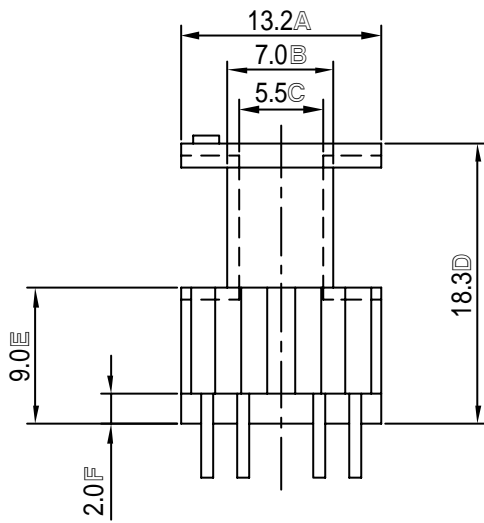
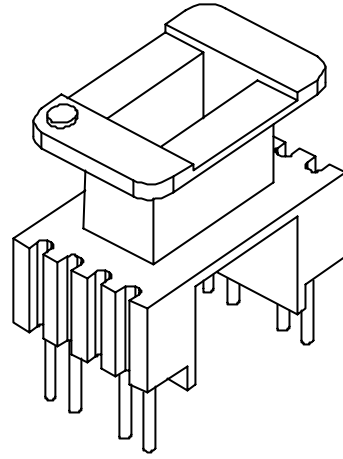
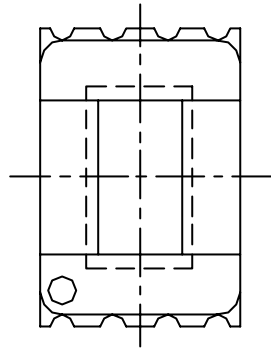
-D1-E19-P33 -



REVISIONS				
ISSUE	SYM	DATE	DRAFTER	CHECKER
NOTE:				

 <b>樹林企業股份有限公司</b> TAIWAN SHULIN ENTERPRISE CO., LTD	MODEL		TF-1928	
	MATERIAL		PHENOLIC	
WEB:www.bobbin.com.tw	UL RATING	UL94V-0	TOLERANCE .X $\pm 0.2$ .XX $\pm 0.15$ PIN PITCH $\pm 0.1$	
e-mail:shulin@bobbin.com.tw	PIN MATERIAL	CP WIRE		
(TAIWAN TAIPEI) TEL:(886)2-2223-1500 FAX:(886)2-2222-4646	EDITION	2.0		
(CHINA DONGGUAN) TEL:(86)769-7730-785 FAX:(86)769-7312-387	DATE	2002/8/15	UNIT	MM
(CHINA SUZHOU) TEL:(86)512-6621-0580 FAX:(86)512-6621-0685	SCALE	2/1		

-D1-E19-P34 -



REVISIONS				
ISSUE	SYM	DATE	DRAFTER	CHECKER
NOTE:				



**樹林企業股份有限公司**

TAIWAN SHULIN ENTERPRISE CO., LTD

WEB: [www.bobbin.com.tw](http://www.bobbin.com.tw)

e-mail: [shulin@bobbin.com.tw](mailto:shulin@bobbin.com.tw)

(TAIWAN TAIPEI) TEL: (886)2-2223-1500 FAX: (886)2-2222-4646

(CHINA DONGGUAN) TEL: (86)769-7730-785 FAX: (86)769-7312-387

(CHINA SUZHOU) TEL: (86)512-6621-0580 FAX: (86)512-6621-0685

MODEL

TF-1929

MATERIAL

PHENOLIC

UL RATING

UL94V-0

PIN MATERIAL

CP WIRE

EDITION

2.0

DATE

2002/8/15

SCALE

2/1

TOLERANCE

.X  $\pm 0.2$

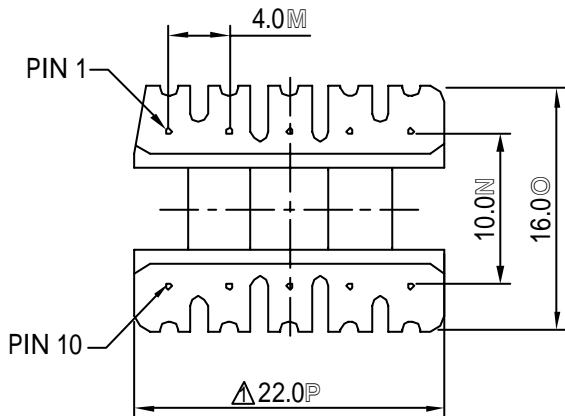
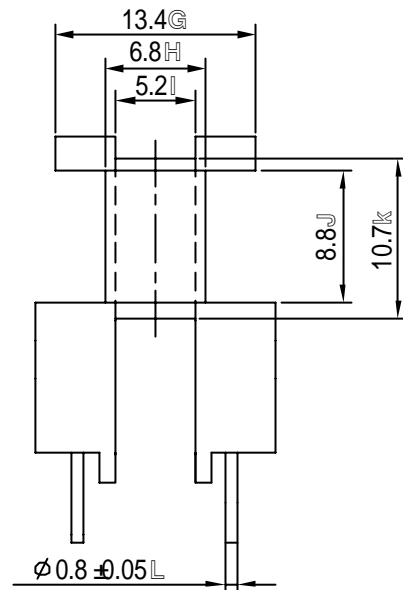
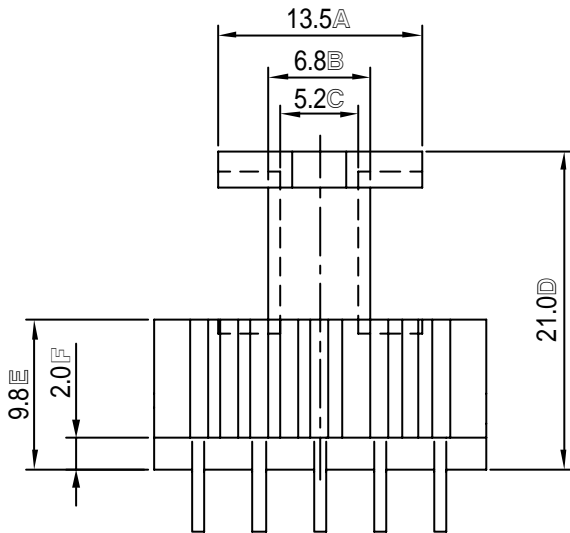
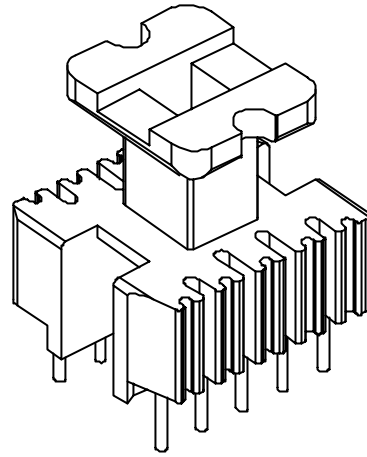
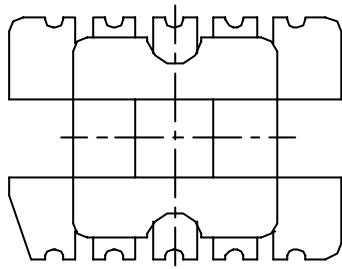
.XX  $\pm 0.15$

PIN PITCH  $\pm 0.1$

UNIT

MM

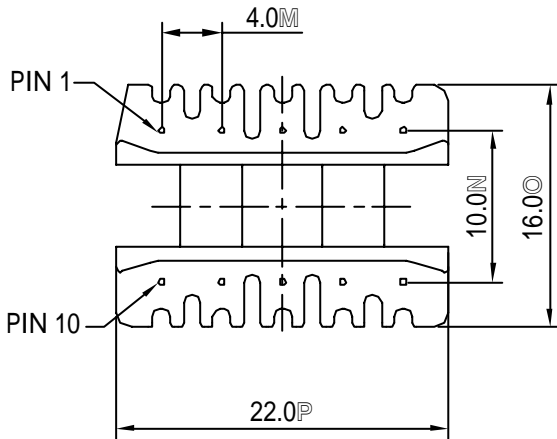
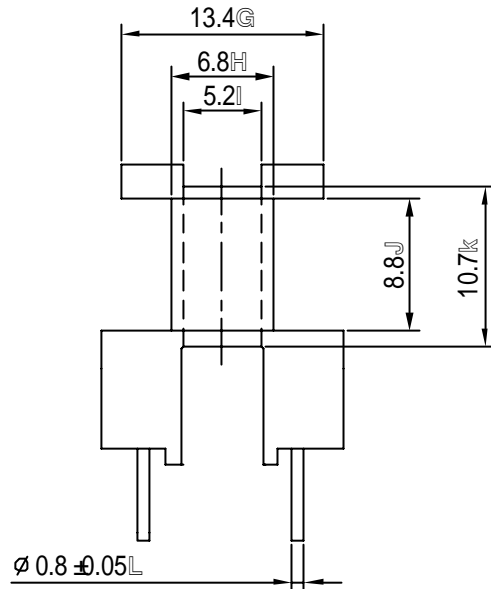
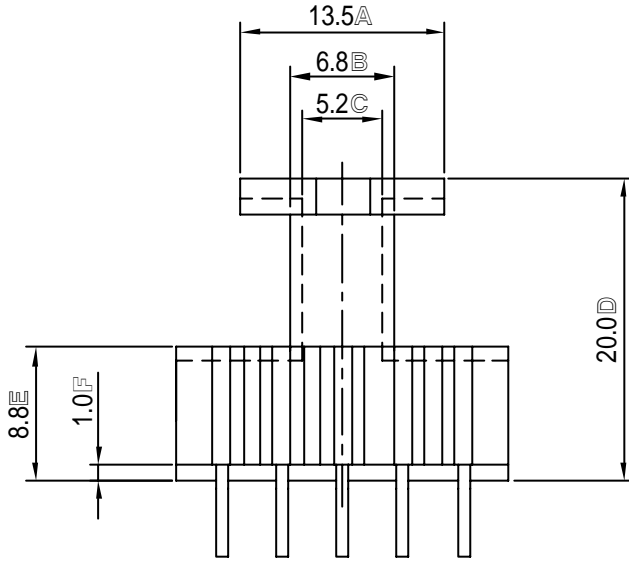
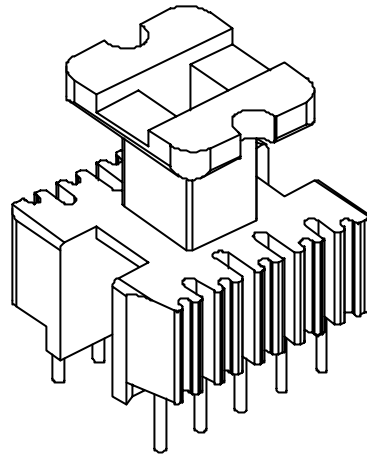
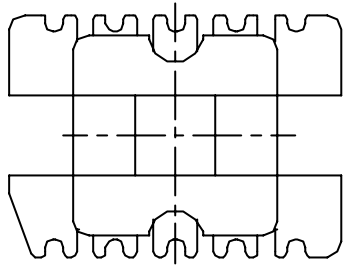
-D1-E19-P35 -



REVISIONS				
ISSUE	SYM	DATE	DRAFTER	CHECKER
1.	△	2003/9/23	LI HUA HONG	C.H.WANG
NOTE:				

 <b>樹林企業股份有限公司</b> TAIWAN SHULIN ENTERPRISE CO., LTD	MODEL		TF-1932	
	MATERIAL		PHENOLIC	
WEB:www.bobbin.com.tw	UL RATING	UL94V-0	TOLERANCE .X ±0.2 .XX ±0.15 PIN PITCH ±0.1	
e-mail:shulin@bobbin.com.tw	PIN MATERIAL	CP WIRE		
(TAIWAN TAIPEI) TEL:(886)2-2223-1500 FAX:(886)2-2222-4646	EDITION	2.0A		
(CHINA DONGGUAN) TEL:(86)769-7730-785 FAX:(86)769-7312-387	DATE	2003/9/23	UNIT	MM
(CHINA SUZHOU) TEL:(86)512-6621-0580 FAX:(86)512-6621-0685	SCALE	2/1		

-D1-E19-P36 -



REVISIONS				
ISSUE	SYM	DATE	DRAFTER	CHECKER

NOTE:



**樹林企業股份有限公司**  
TAIWAN SHULIN ENTERPRISE CO., LTD

MODEL

TF-1932-1

MATERIAL

PHENOLIC

WEB: [www.bobbin.com.tw](http://www.bobbin.com.tw)

UL RATING

UL94V-0

TOLERANCE

e-mail: [shulin@bobbin.com.tw](mailto:shulin@bobbin.com.tw)

PIN MATERIAL

CP WIRE

.X  $\pm 0.2$

(TAIWAN TAIPEI) TEL: (886)2-2223-1500 FAX: (886)2-2222-4646

EDITION

1.0A

.XX  $\pm 0.15$

(CHINA DONGGUAN) TEL: (86)769-7730-785 FAX: (86)769-7312-387

DATE

2003/8/1

PIN PITCH  $\pm 0.1$

(CHINA SUZHOU) TEL: (86)512-6621-0580 FAX: (86)512-6621-0685

SCALE

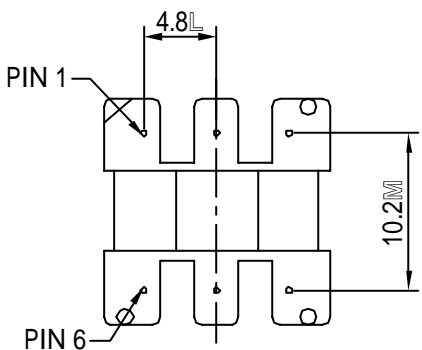
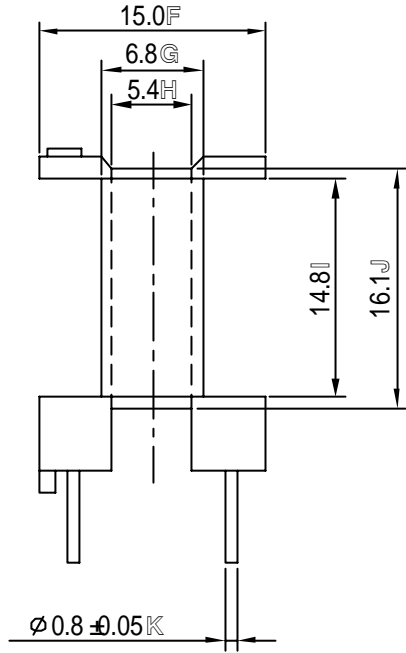
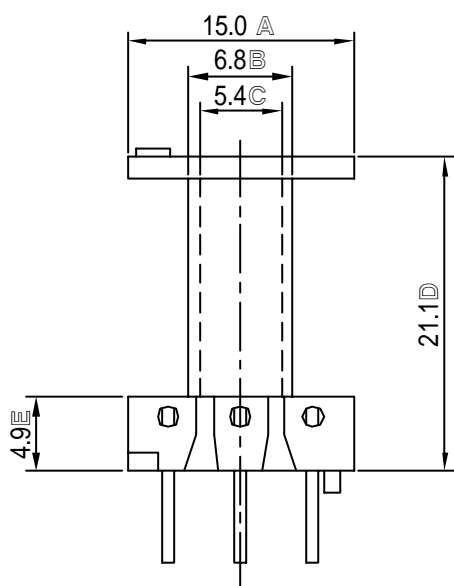
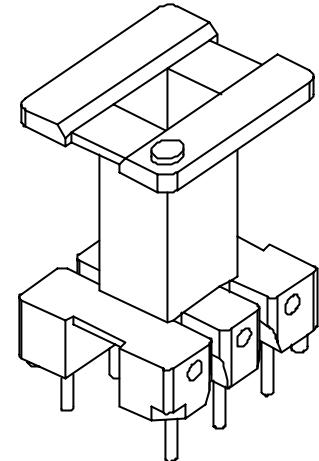
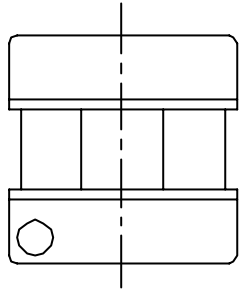
2/1

UNIT

MM

-D1-E19-P37 -

本图面版权属台湾树林，本人仅将其汇总。不承担任何法律责任！！QQ: 195502110

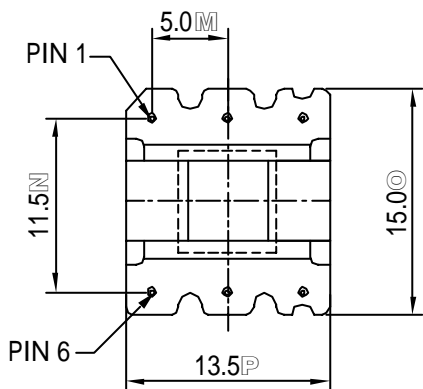
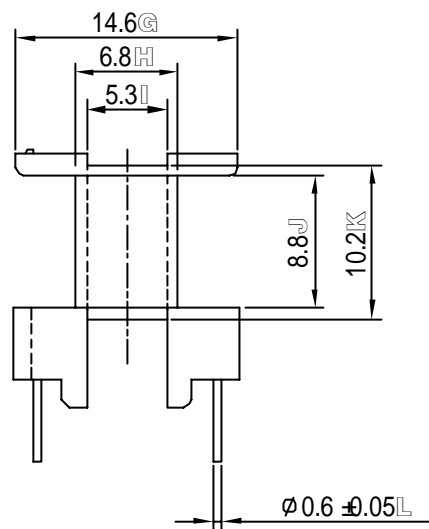
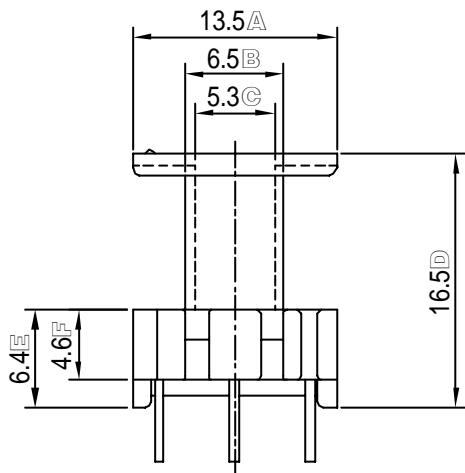
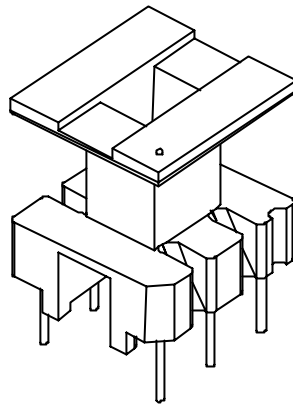
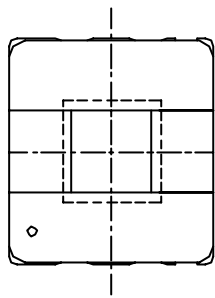


REVISIONS				
ISSUE	SYM	DATE	DRAFTER	CHECKER

NOTE:

 <b>樹林企業股份有限公司</b> TAIWAN SHULIN ENTERPRISE CO., LTD	MODEL		TF-1933	
	MATERIAL		NYLON 66	
WEB:www.bobbin.com.tw	UL RATING	UL94V-0	TOLERANCE .X $\pm 0.2$ .XX $\pm 0.15$ PIN PITCH $\pm 0.1$	
e-mail:shulin@bobbin.com.tw	PIN MATERIAL	CP WIRE		
(TAIWAN TAIPEI) TEL:(886)2-2223-1500 FAX:(886)2-2222-4646	EDITION	2.0		
(CHINA DONGGUAN) TEL:(86)769-7730-785 FAX:(86)769-7312-387	DATE	2002/8/15	UNIT	MM
(CHINA SUZHOU) TEL:(86)512-6621-0580 FAX:(86)512-6621-0685	SCALE	2/1		

-D1-E19-P38 -

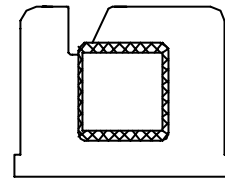
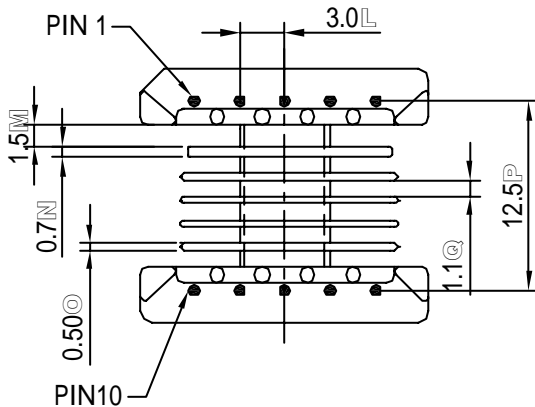
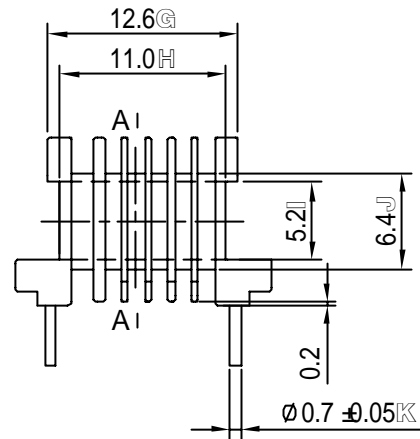
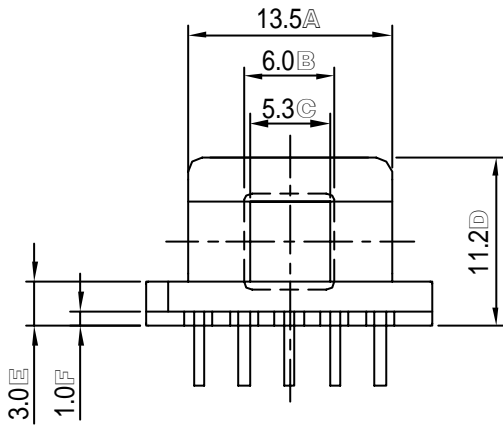
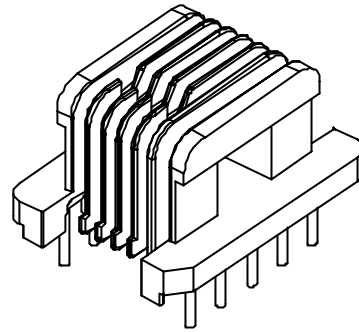
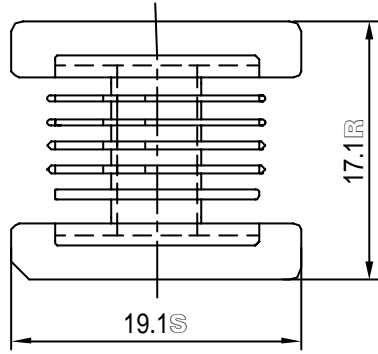


REVISIONS				
ISSUE	SYM	DATE	DRAFTER	CHECKER
NOTE:				

 <b>樹林企業股份有限公司</b> TAIWAN SHULIN ENTERPRISE CO., LTD	MODEL		TF-1934	
	MATERIAL		PHENOLIC	
WEB:www.bobbin.com.tw	UL RATING	UL94V-0	TOLERANCE .X $\pm 0.2$ .XX $\pm 0.15$ PIN PITCH $\pm 0.1$	
e-mail:shulin@bobbin.com.tw	PIN MATERIAL	CP WIRE		
(TAIWAN TAIPEI) TEL:(886)2-2223-1500 FAX:(886)2-2222-4646	EDITION	2.0		
(CHINA DONGGUAN) TEL:(86)769-7730-785 FAX:(86)769-7312-387	DATE	2002/8/15	UNIT	MM
(CHINA SUZHOU) TEL:(86)512-6621-0580 FAX:(86)512-6621-0685	SCALE	2/1		

-D1-E19-P39 -





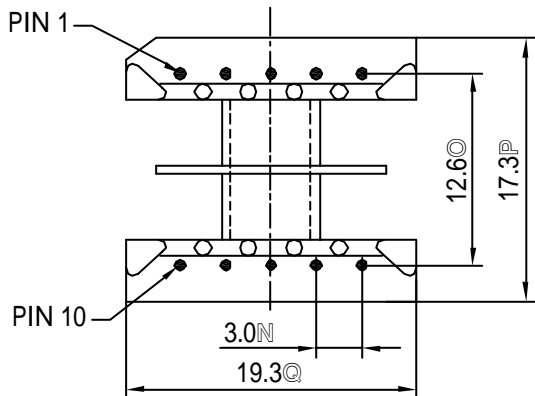
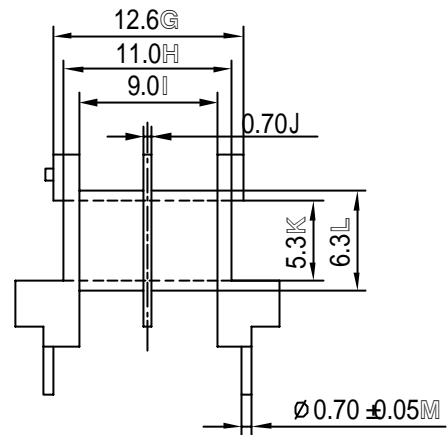
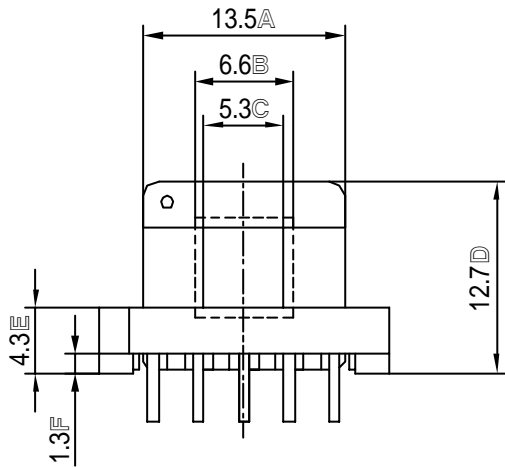
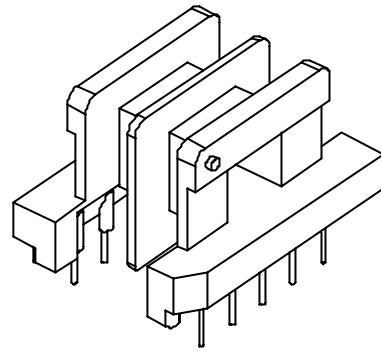
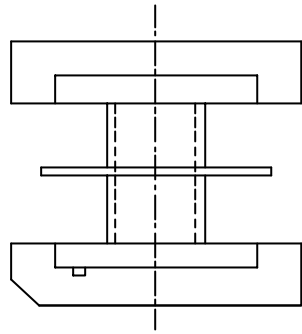
SECTION: A-A

REVISIONS				
ISSUE	SYM	DATE	DRAFTER	CHECKER

NOTE:

 <b>樹林企業股份有限公司</b> TAIWAN SHULIN ENTERPRISE CO., LTD	MODEL		TF-1935 -1	
	MATERIAL		PHENOLIC	
WEB:www.bobbin.com.tw	UL RATING	UL94V-0	TOLERANCE .X $\pm 0.2$ .XX $\pm 0.15$ PIN PITCH $\pm 0.1$	
e-mail:shulin@bobbin.com.tw	PIN MATERIAL	CP WIRE		
(TAIWAN TAIPEI) TEL:(886)2-2223-1500 FAX:(886)2-2222-4646	EDITION	1.0		
(CHINA DONGGUAN) TEL:(86)769-7730-785 FAX:(86)769-7312-387	DATE	2003/7/4	UNIT	MM
(CHINA SUZHOU) TEL:(86)512-6621-0580 FAX:(86)512-6621-0685	SCALE	2/1		

-D1-E19-P40 -



REVISIONS				
ISSUE	SYM	DATE	DRAFTER	CHECKER

NOTE:



樹林企業股份有限公司

TAIWAN SHULIN ENTERPRISE CO., LTD

MODEL

TF-1936

MATERIAL

PHENOLIC

WEB:www.bobbin.com.tw

UL RATING

UL94V-0

TOLERANCE

e-mail:shulin@bobbin.com.tw

PIN MATERIAL

CP WIRE

.X  $\pm 0.2$

(TAIWAN TAIPEI) TEL:(886)2-2223-1500 FAX:(886)2-2222-4646

EDITION

2.0

.XX  $\pm 0.15$

(CHINA DONGGUAN) TEL:(86)769-7730-785 FAX:(86)769-7312-387

DATE

2002/8/15

PIN PITCH  $\pm 0.1$

(CHINA SUZHOU) TEL:(86)512-6621-0580 FAX:(86)512-6621-0685

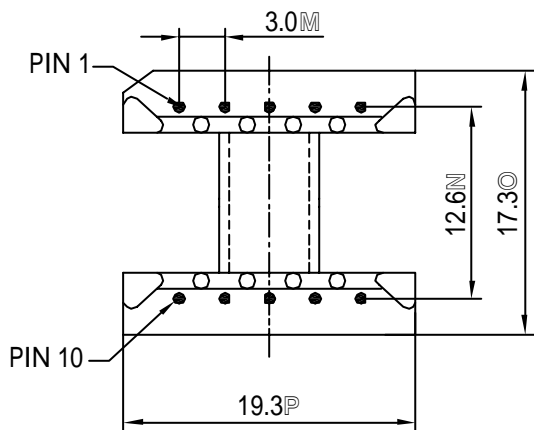
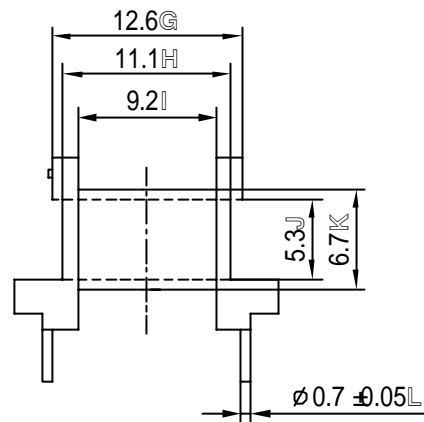
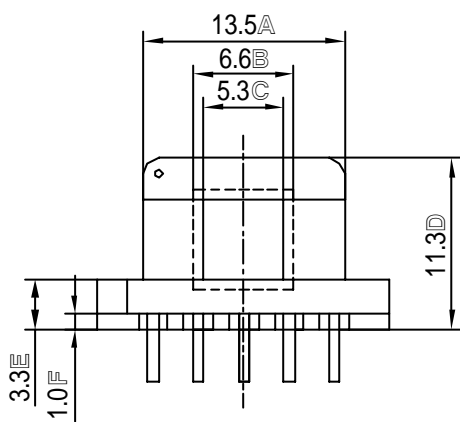
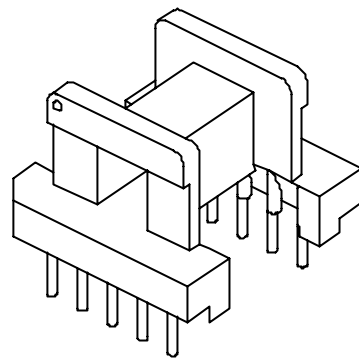
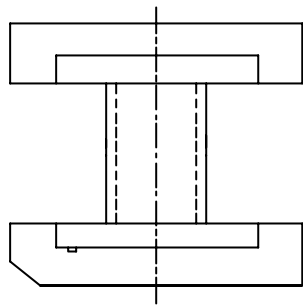
SCALE

2/1

UNIT

MM

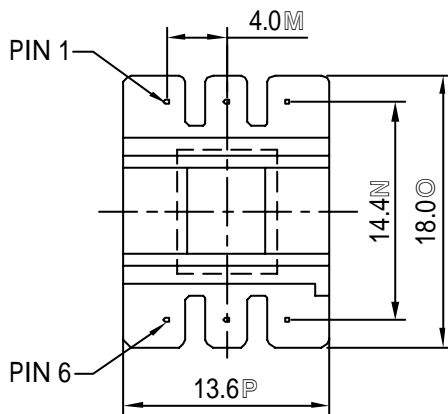
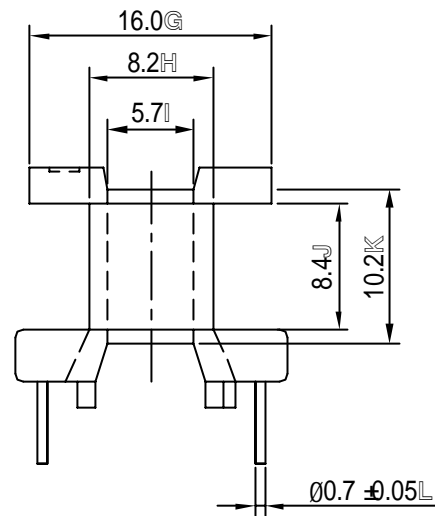
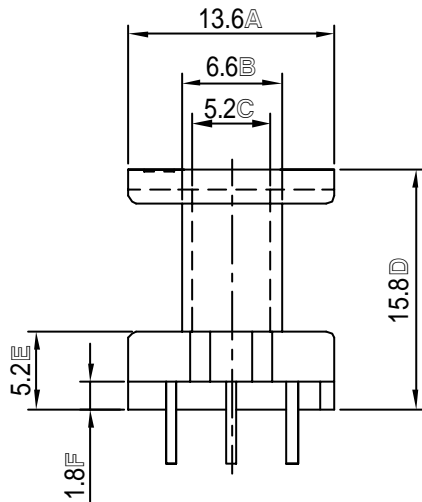
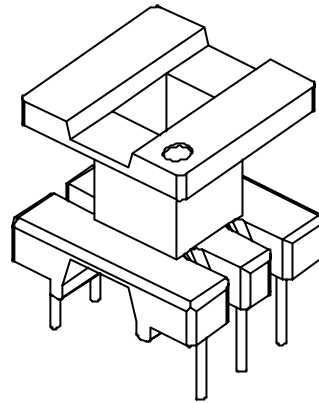
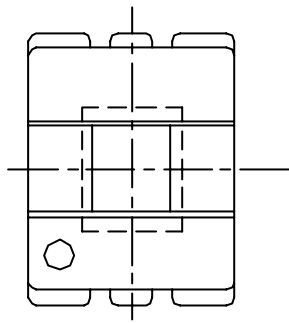
-D1-E19-P41 -



REVISIONS				
ISSUE	SYM	DATE	DRAFTER	CHECKER
NOTE:				

 <b>樹林企業股份有限公司</b> TAIWAN SHULIN ENTERPRISE CO., LTD	MODEL		TF-1937	
	MATERIAL		PHENOLIC	
WEB: www.bobbin.com.tw	UL RATING	UL94V-0	TOLERANCE	
e-mail: shulin@bobbin.com.tw	PIN MATERIAL	CP WIRE		
(TAIWAN TAIPEI) TEL: (886)2-2223-1500 FAX: (886)2-2222-4646	EDITION	2.0		
(CHINA DONGGUAN) TEL: (86)769-7730-785 FAX: (86)769-7312-387	DATE	2002/8/15	.X $\pm 0.2$	
(CHINA SUZHOU) TEL: (86)512-6621-0580 FAX: (86)512-6621-0685	SCALE	2/1	.XX $\pm 0.15$	
			PIN PITCH	$\pm 0.1$
			UNIT	MM

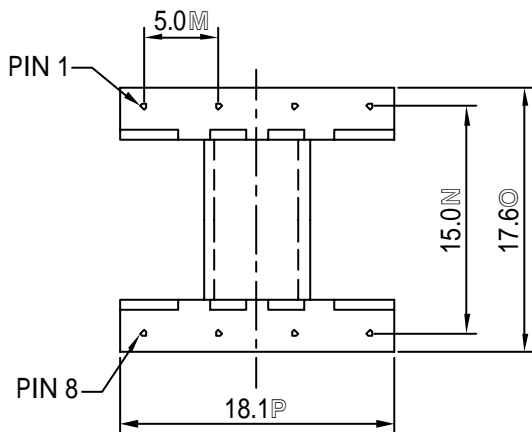
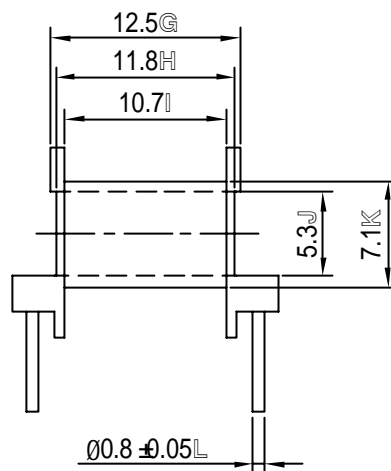
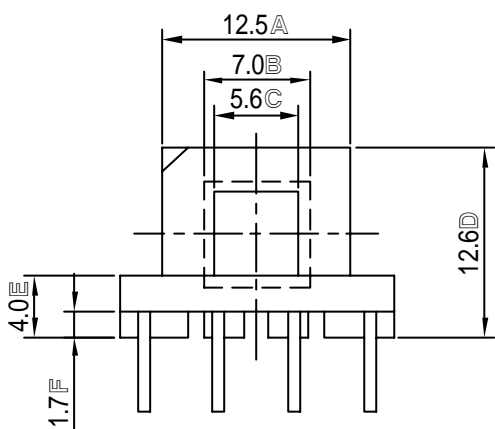
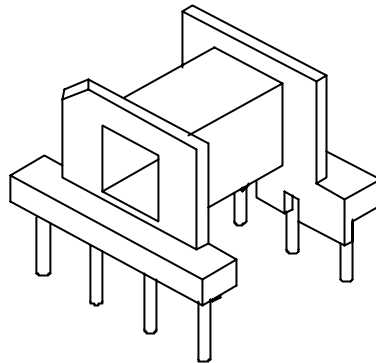
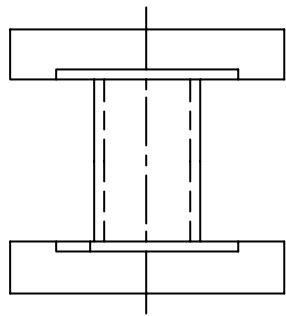
-D1-E19-P42 -



REVISIONS				
ISSUE	SYM	DATE	DRAFTER	CHECKER
NOTE:				

 <b>樹林企業股份有限公司</b> TAIWAN SHULIN ENTERPRISE CO., LTD	MODEL	TF-1938		
	MATERIAL	PHENOLIC		
WEB: www.bobbin.com.tw	UL RATING	UL94V-0	TOLERANCE .X $\pm 0.2$ .XX $\pm 0.15$ PIN PITCH $\pm 0.1$	
e-mail: shulin@bobbin.com.tw	PIN MATERIAL	CP WIRE		
(TAIWAN TAIPEI) TEL: (886)(02)2225-1278 FAX: (886)(02)2222-4646	EDITION	2.0		
(CHINA DONGGUAN) TEL: (86)769-7730-785 FAX: (86)769-7312-387	DATE	2002/8/15	UNIT	MM
(CHINA SUZHOU) TEL: (86)512-6621-0580 FAX: (86)512-6621-0685	SCALE	3/1		

-D1-E19-P43 -



REVISIONS				
ISSUE	SYM	DATE	DRAFTER	CHECKER
NOTE:				



**樹林企業股份有限公司**  
TAIWAN SHULIN ENTERPRISE CO., LTD

WEB: www.bobbin.com.tw

e-mail: shulin@bobbin.com.tw

(TAIWAN TAIPEI) TEL: (886)2-2223-1500 FAX: (886)2-2222-4646

(CHINA DONGGUAN) TEL: (86)769-7730-785 FAX: (86)769-7312-387

(CHINA SUZHOU) TEL: (86)512-6621-0580 FAX: (86)512-6621-0685

MODEL

TF-2001

MATERIAL

PHENOLIC

UL RATING

UL94V-0

TOLERANCE

PIN MATERIAL

CP WIRE

.X  $\pm 0.2$

EDITION

2.0

.XX  $\pm 0.15$

DATE

2002/8/15

PIN PITCH  $\pm 0.1$

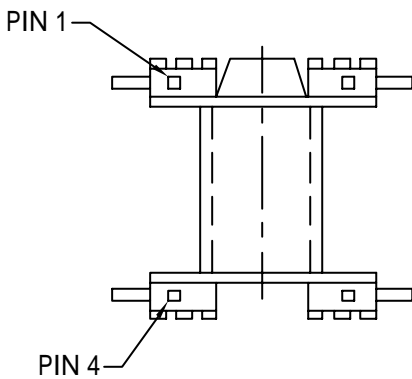
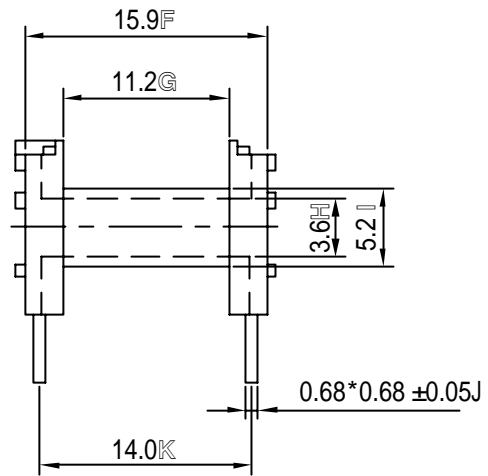
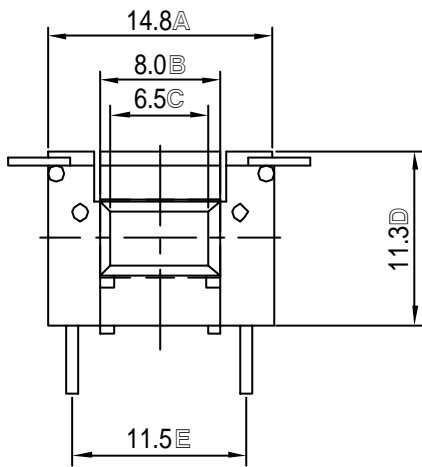
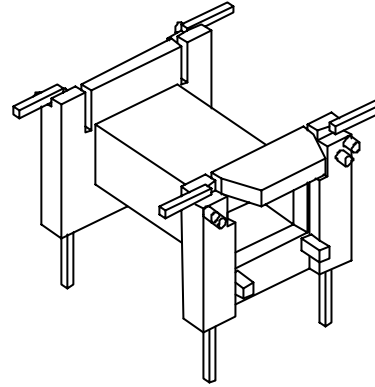
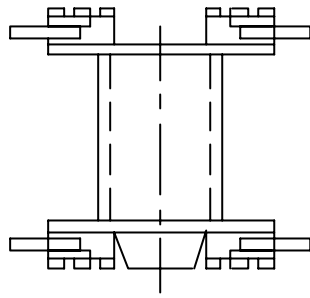
SCALE

2/1

UNIT

MM

-D1-E20-P01 -

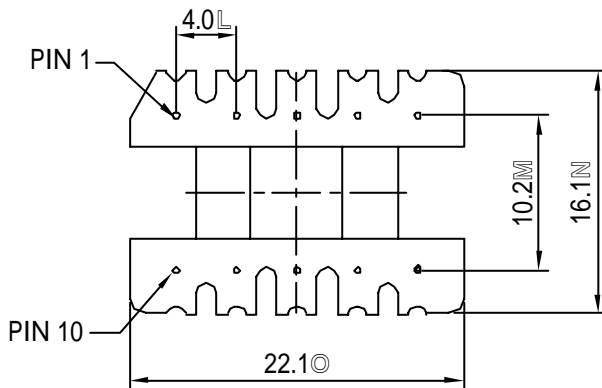
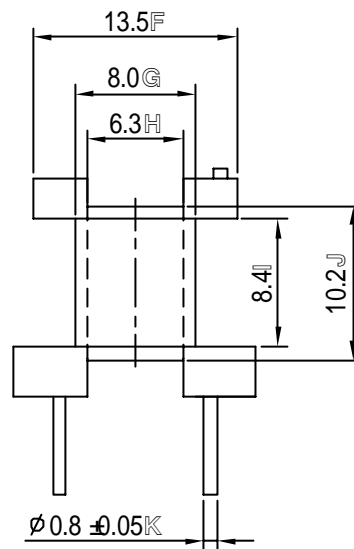
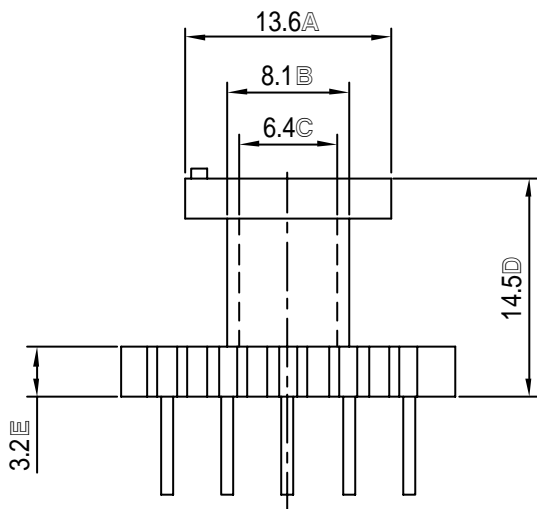
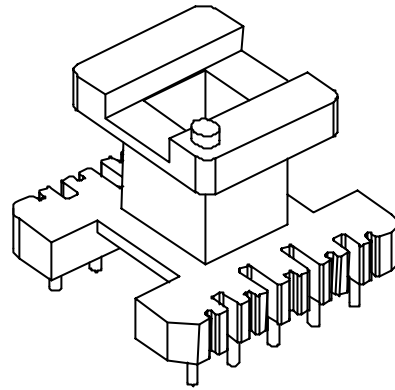
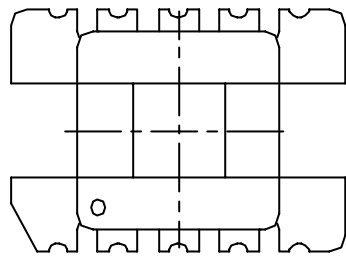


REVISIONS				
ISSUE	SYM	DATE	DRAFTER	CHECKER

NOTE:

 <b>樹林企業股份有限公司</b> TAIWAN SHULIN ENTERPRISE CO., LTD	MODEL	TF-2102		
	MATERIAL	PBT		
WEB:www.bobbin.com.tw	UL RATING	UL94V-0	TOLERANCE .X ±0.2 .XX ±0.15 PIN PITCH ±0.1	
e-mail:shulin@bobbin.com.tw	PIN MATERIAL	PHOS.B		
(TAIWAN TAIPEI) TEL:(886)2-2223-1500 FAX:(886)2-2222-4646	EDITION	2.0		
(CHINA DONGGUAN) TEL:(86)769-7730-785 FAX:(86)769-7312-387	DATE	2002/8/15		
(CHINA SUZHOU) TEL:(86)512-6621-0580 FAX:(86)512-6621-0685	SCALE	2/1	UNIT	MM

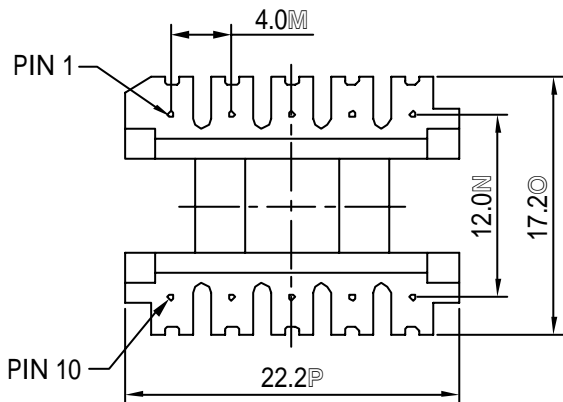
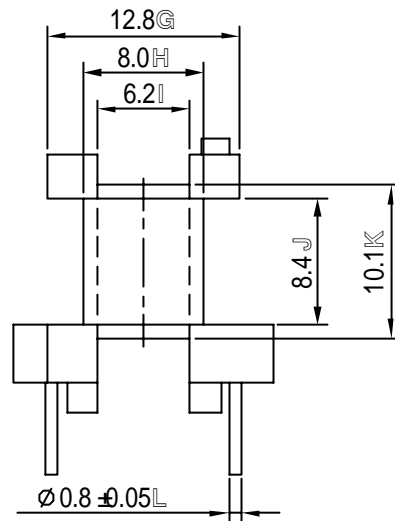
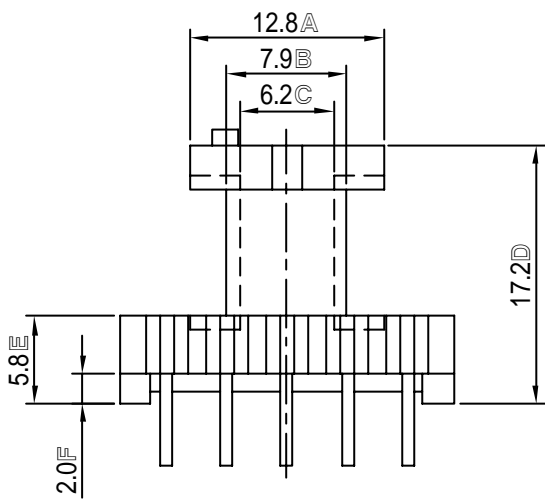
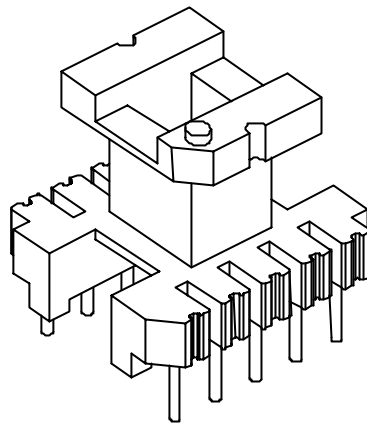
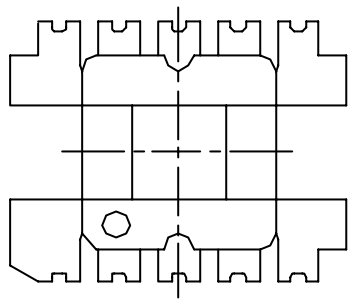
-D1-E21-P01 -



REVISIONS				
ISSUE	SYM	DATE	DRAFTER	CHECKER
NOTE:				

 <b>樹林企業股份有限公司</b> TAIWAN SHULIN ENTERPRISE CO., LTD	MODEL		TF-2201	
	MATERIAL		PHENOLIC	
WEB: www.bobbin.com.tw	UL RATING	UL94V-0	TOLERANCE .X $\pm 0.2$ .XX $\pm 0.15$ PIN PITCH $\pm 0.1$	
e-mail: shulin@bobbin.com.tw	PIN MATERIAL	CP WIRE		
(TAIWAN TAIPEI) TEL:(886)2-2223-1500 FAX:(886)2-2222-4646	EDITION	2.0		
(CHINA DONGGUAN) TEL:(86)769-7730-785 FAX:(86)769-7312-387	DATE	2002/8/15		
(CHINA SUZHOU) TEL:(86)512-6621-0580 FAX:(86)512-6621-0685	SCALE	2/1	UNIT	MM

-D1-E22-P01 -



REVISIONS				
ISSUE	SYM	DATE	DRAFTER	CHECKER

NOTE:



樹林企業股份有限公司

TAIWAN SHULIN ENTERPRISE CO., LTD

WEB:www.bobbin.com.tw

e-mail:shulin@bobbin.com.tw

(TAIWAN TAIPEI) TEL:(886)2-2223-1500 FAX:(886)2-2222-4646

(CHINA DONGGUAN) TEL:(86)769-7730-785 FAX:(86)769-7312-387

(CHINA SUZHOU) TEL:(86)512-6621-0580 FAX:(86)512-6621-0685

MODEL

TF-2202

MATERIAL

PHENOLIC

UL RATING

UL94V-0

TOLERANCE

PIN MATERIAL

CP WIRE

.X  $\pm 0.2$

.XX  $\pm 0.15$

EDITION

2.0

PIN PITCH  $\pm 0.1$

DATE

2002/8/15

SCALE

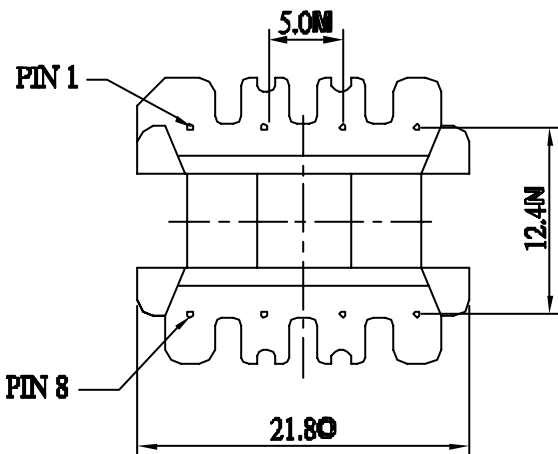
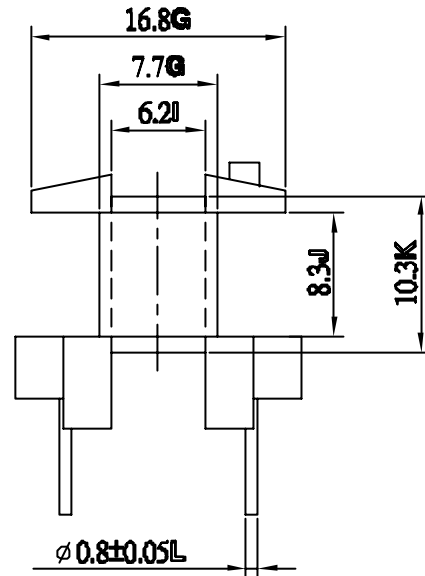
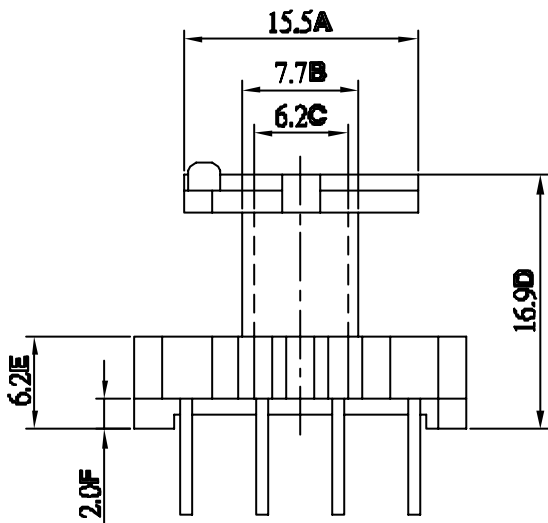
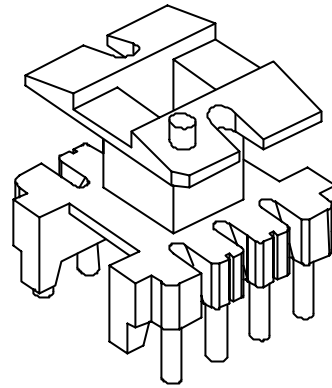
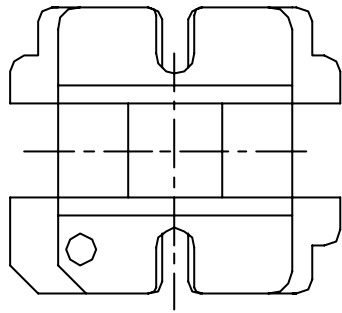
2/1

UNIT

MM

-D1-E22-P02 -



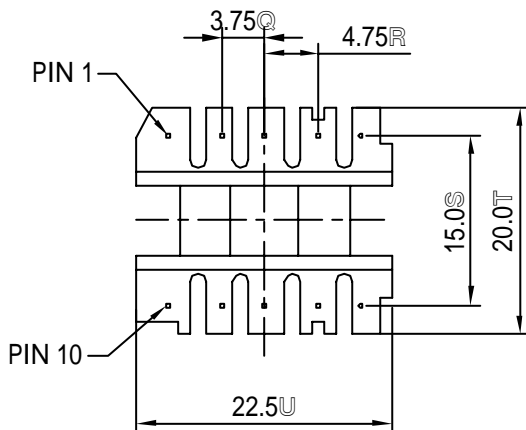
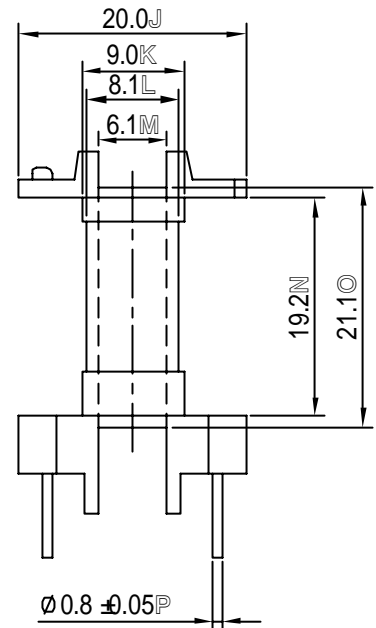
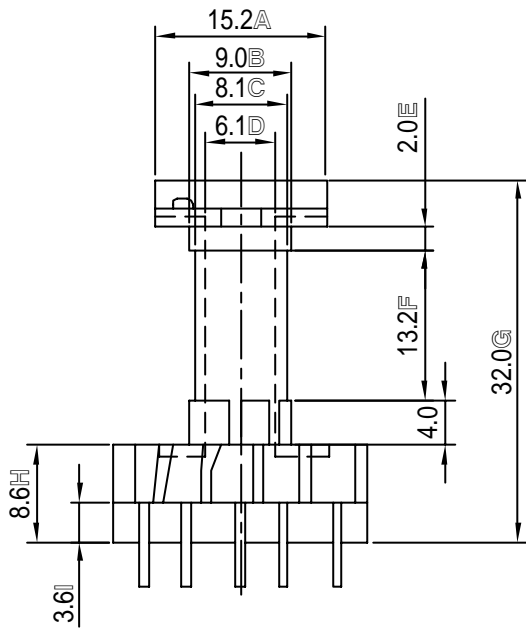
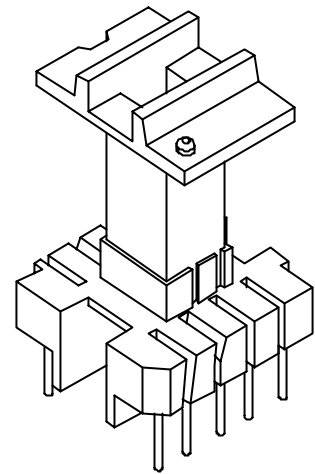
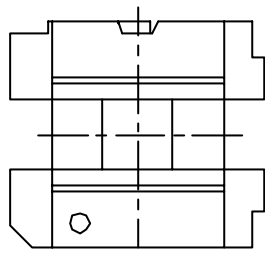


REVISIONS				
ISSUE	SYM	DATE	DRAFTER	CHECKER

NOTE:

 <b>樹林企業股份有限公司</b> TAIWAN SHULIN ENTERPRISE CO., LTD	MODEL	TF-2203		
	MATERIAL	PHENOLIC		
WEB: www.bobbin.com.tw	UL RATING	UL94V-0	TOLERANCE  $X \pm 0.2$ $.XX \pm 0.15$ PIN PITCH $\pm 0.1$	
e-mail: shulin@bobbin.com.tw	PIN MATERIAL	CP WIRE		
(TAIWAN TAIPEI) TEL: (886)2-2223-1500 FAX: (886)2-2222-4646	EDITION	2.0		
(CHINA DONGGUAN) TEL: (86)769-7730-785 FAX: (86)769-7312-387	DATE	2002/8/15		
(CHINA SUZHOU) TEL: (86)512-6621-0580 FAX: (86)512-6621-0685	SCALE	2/1	UNIT	MM

-D1-E22-P03-



REVISIONS				
ISSUE	SYM	DATE	DRAFTER	CHECKER

NOTE:



樹林企業股份有限公司

TAIWAN SHULIN ENTERPRISE CO., LTD

WEB: www.bobbin.com.tw

e-mail: shulin@bobbin.com.tw

(TAIWAN TAIPEI) TEL: (886)2-2223-1500 FAX: (886)2-2222-4646

(CHINA DONGGUAN) TEL: (86)769-7730-785 FAX: (86)769-7312-387

(CHINA SUZHOU) TEL: (86)512-6621-0580 FAX: (86)512-6621-0685

MODEL

TF-2204

MATERIAL

PHENOLIC

UL RATING

UL94V-0

TOLERANCE

PIN MATERIAL

CP WIRE

.X ±0.2

EDITION

2.0

.XX ±0.15

DATE

2002/8/15

PIN PITCH ±0.1

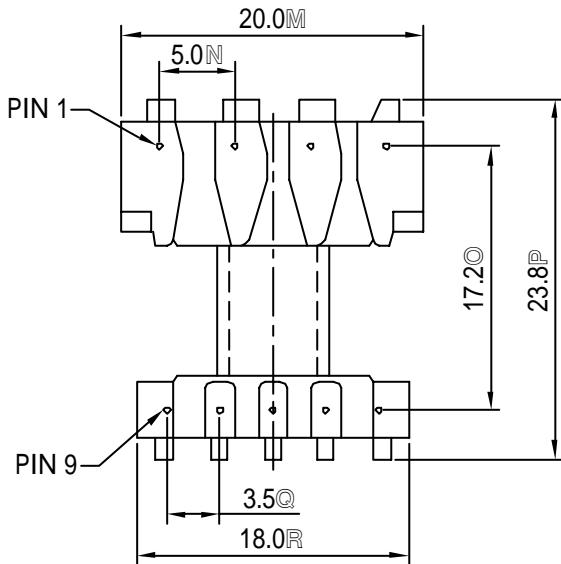
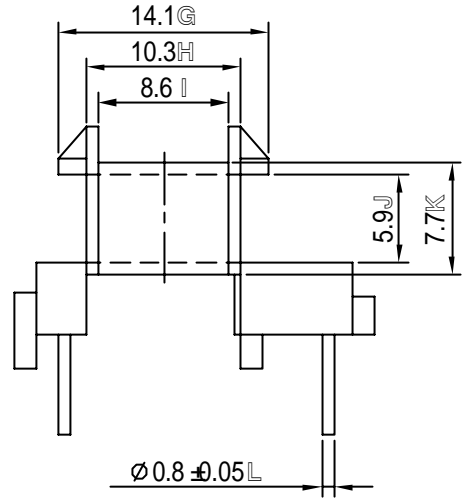
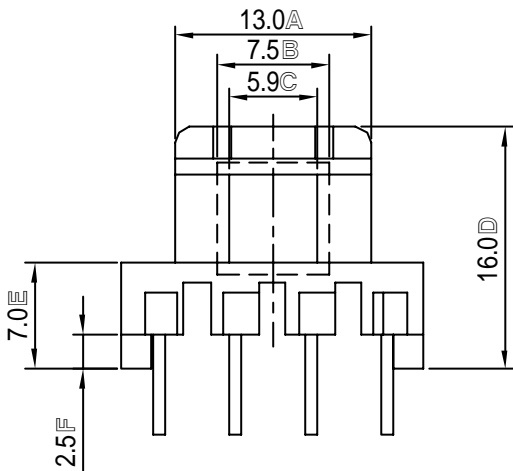
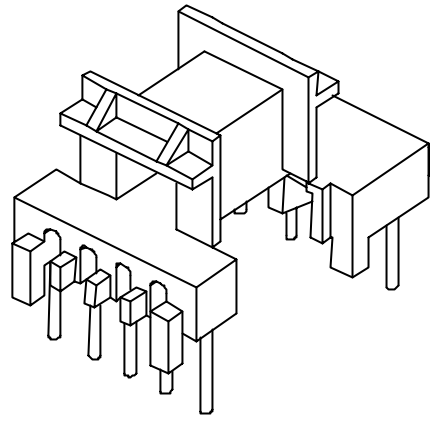
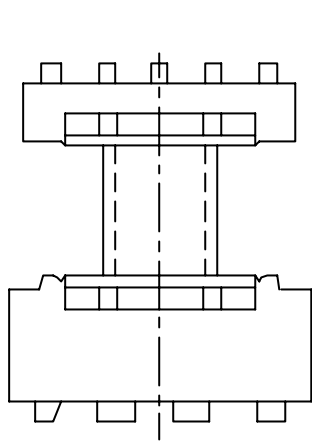
SCALE

1.5/1

UNIT

MM

-D1-E22-P04 -



REVISIONS				
ISSUE	SYM	DATE	DRAFTER	CHECKER

NOTE:



樹林企業股份有限公司

TAIWAN SHULIN ENTERPRISE CO., LTD

WEB: www.bobbin.com.tw

e-mail: shulin@bobbin.com.tw

(TAIWAN TAIPEI) TEL: (886)2-2223-1500 FAX: (886)2-2222-4646

(CHINA DONGGUAN) TEL: (86)769-7730-785 FAX: (86)769-7312-387

(CHINA SUZHOU) TEL: (86)512-6621-0580 FAX: (86)512-6621-0685

MODEL

TF-2205

MATERIAL

PHENOLIC

UL RATING

UL94V-0

PIN MATERIAL

CP WIRE

EDITION

2.0

DATE

2002/8/15

SCALE

2/1

TOLERANCE

.X  $\pm 0.2$

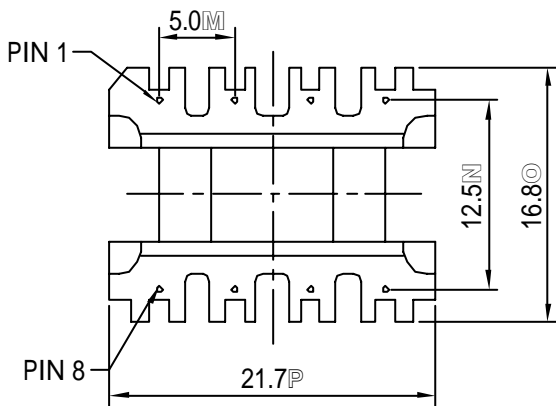
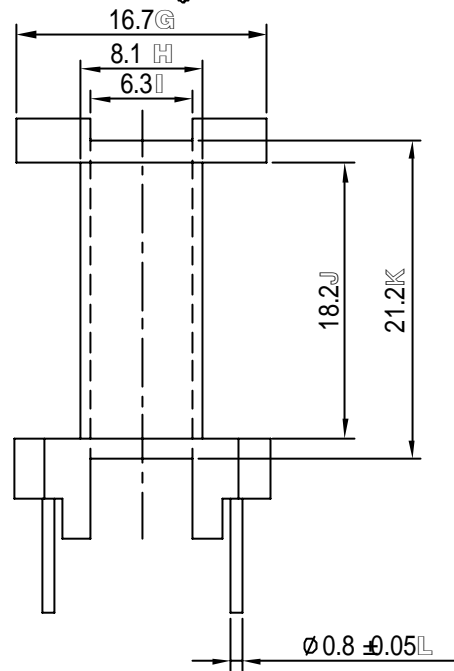
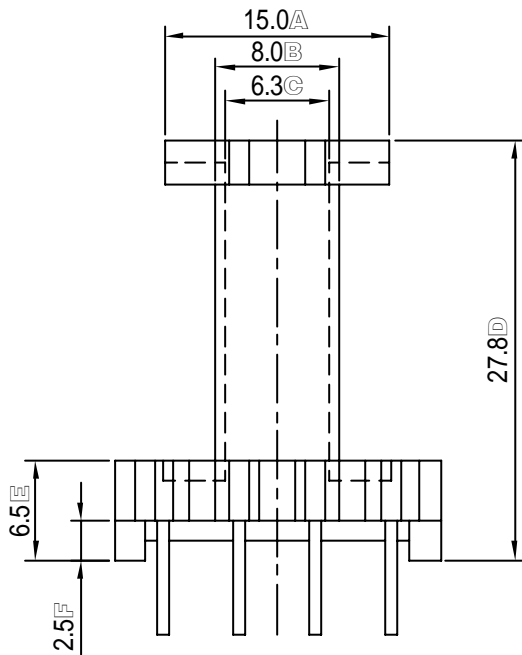
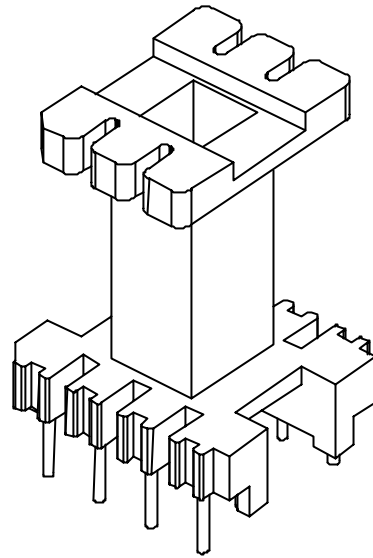
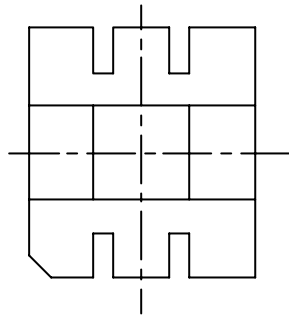
.XX  $\pm 0.15$

PIN PITCH  $\pm 0.1$

UNIT

MM

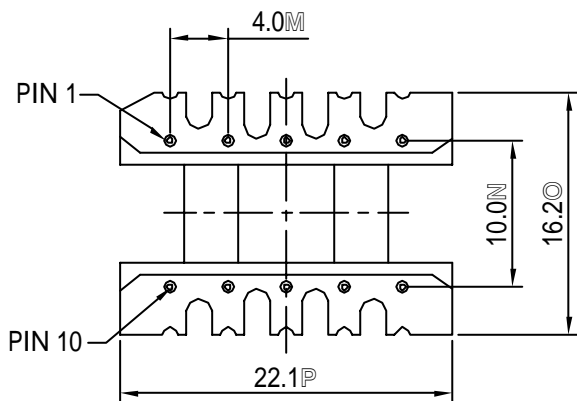
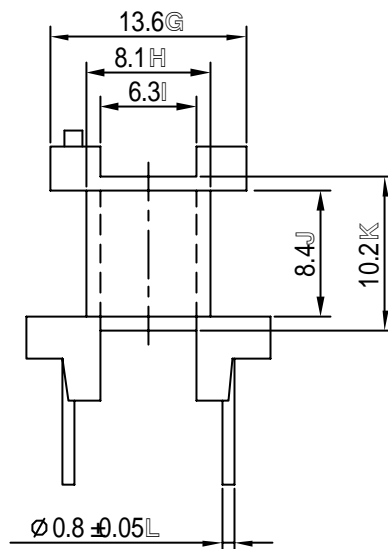
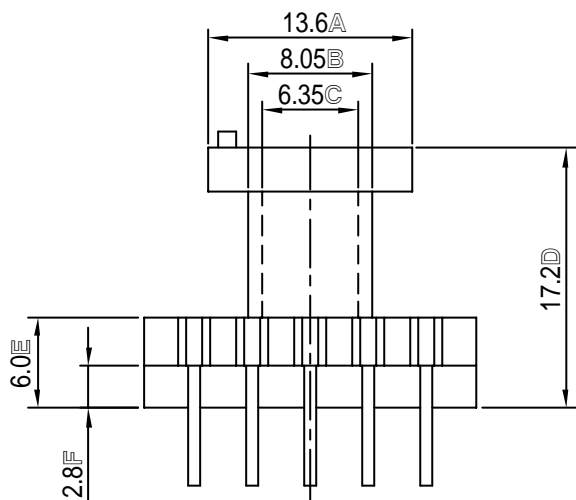
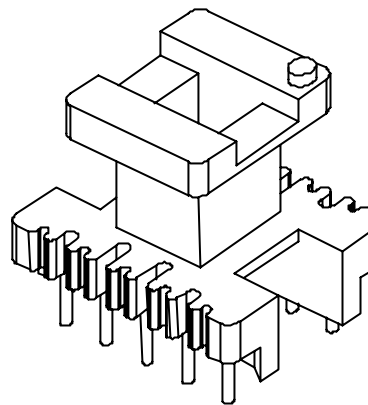
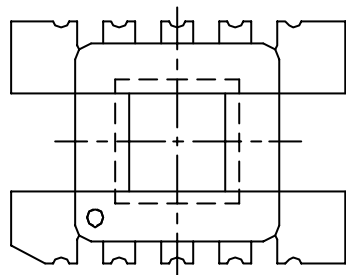
-D1-E22-P05 -



REVISIONS				
ISSUE	SYM	DATE	DRAFTER	CHECKER
NOTE:				

 <b>樹林企業股份有限公司</b> TAIWAN SHULIN ENTERPRISE CO., LTD	MODEL		TF-2206	
	MATERIAL		PHENOLIC	
WEB:www.bobbin.com.tw	UL RATING	UL94V-0	TOLERANCE  .X $\pm 0.2$ .XX $\pm 0.15$ PIN PITCH $\pm 0.1$	
e-mail:shulin@bobbin.com.tw	PIN MATERIAL	CP WIRE		
(TAIWAN TAIPEI) TEL: (886)2-2223-1500 FAX: (886)2-2222-4646	EDITION	2.0		
(CHINA DONGGUAN) TEL: (86)769-7730-785 FAX: (86)769-7312-387	DATE	2002/8/15		
(CHINA SUZHOU) TEL: (86)512-6621-0580 FAX: (86)512-6621-0685	SCALE	2/1	UNIT	MM

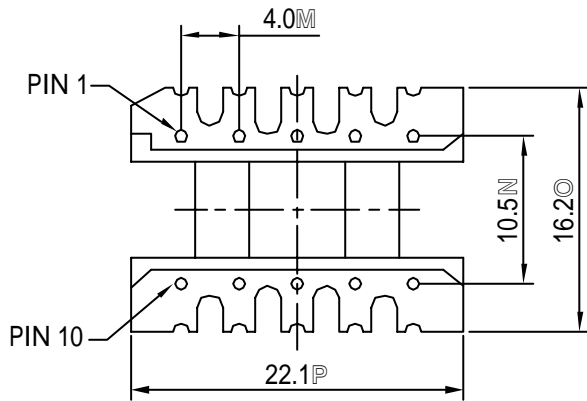
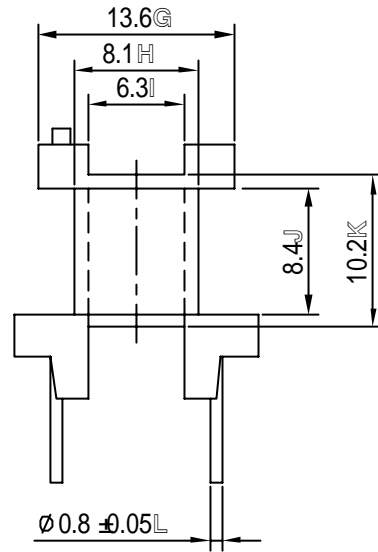
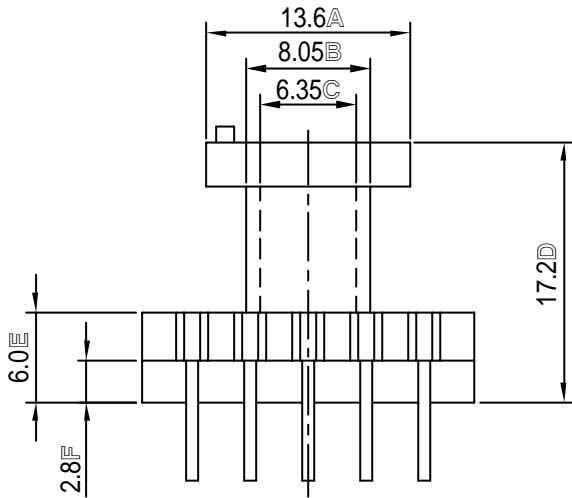
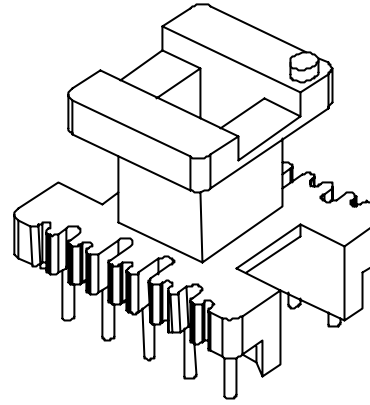
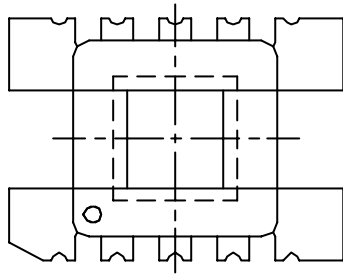
-D1-E22-P06 -



REVISIONS				
ISSUE	SYM	DATE	DRAFTER	CHECKER
NOTE:				

 <b>樹林企業股份有限公司</b> TAIWAN SHULIN ENTERPRISE CO., LTD	MODEL		TF-2207	
	MATERIAL		PHENOLIC	
WEB: www.bobbin.com.tw	UL RATING	UL94V-0	TOLERANCE .X $\pm 0.2$ .XX $\pm 0.15$ PIN PITCH $\pm 0.1$	
e-mail: shulin@bobbin.com.tw	PIN MATERIAL	CP WIRE		
(TAIWAN TAIPEI) TEL: (886)2-2223-1500 FAX: (886)2-2222-4646	EDITION	2.0		
(CHINA DONGGUAN) TEL: (86)769-7730-785 FAX: (86)769-7312-387	DATE	2002/8/15	UNIT	MM
(CHINA SUZHOU) TEL: (86)512-6621-0580 FAX: (86)512-6621-0685	SCALE	2/1		

-D1-E22-P07 -



REVISIONS				
ISSUE	SYM	DATE	DRAFTER	CHECKER

NOTE:



樹林企業股份有限公司

TAIWAN SHULIN ENTERPRISE CO., LTD

MODEL

TF-2207 -1

MATERIAL

PHENOLIC

WEB:www.bobbin.com.tw

UL RATING

UL94V-0

TOLERANCE

e-mail:shulin@bobbin.com.tw

PIN MATERIAL

CP WIRE

.X  $\pm 0.2$

(TAIWAN TAIPEI) TEL:(886)2-2223-1500 FAX:(886)2-2222-4646

EDITION

1.0

.XX  $\pm 0.15$

(CHINA DONGGUAN) TEL:(86)769-7730-785 FAX:(86)769-7312-387

DATE

2003/9/4

PIN PITCH  $\pm 0.1$

(CHINA SUZHOU) TEL:(86)512-6621-0580 FAX:(86)512-6621-0685

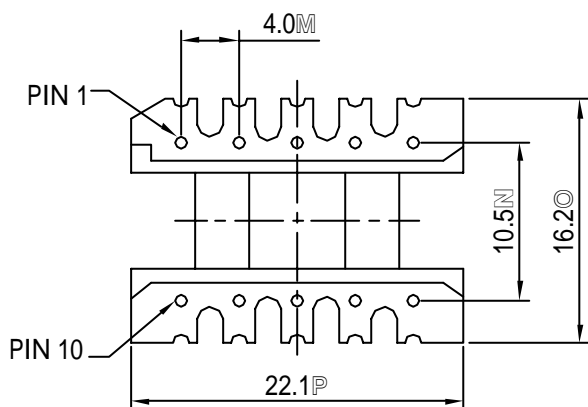
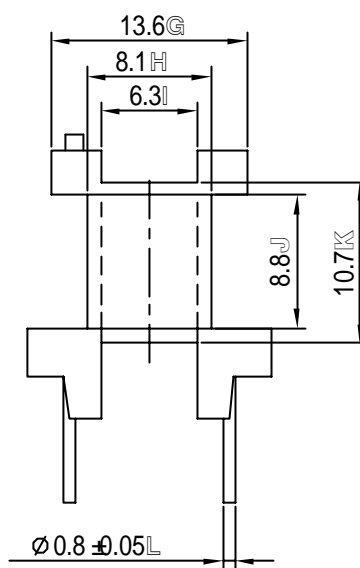
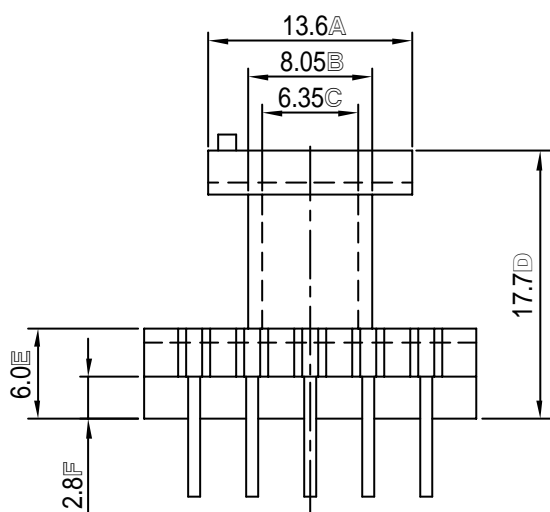
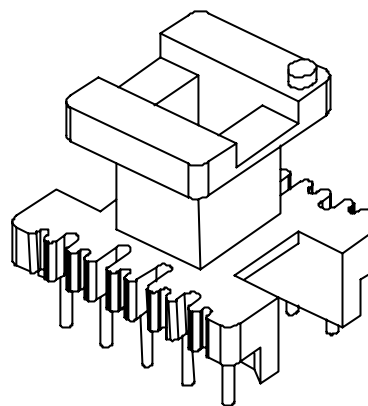
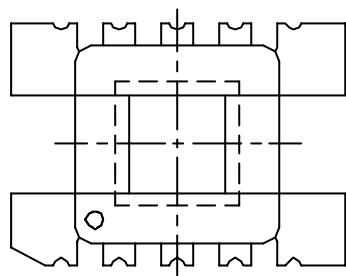
SCALE

2/1

UNIT

MM

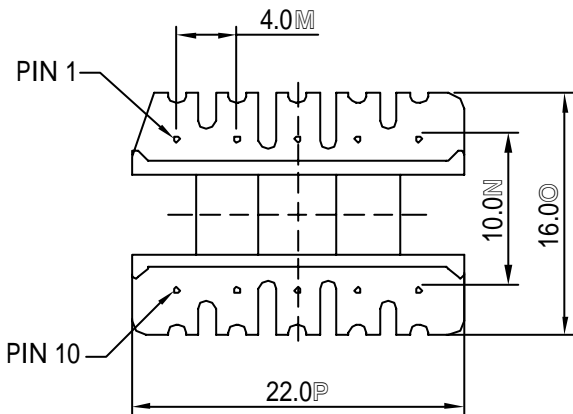
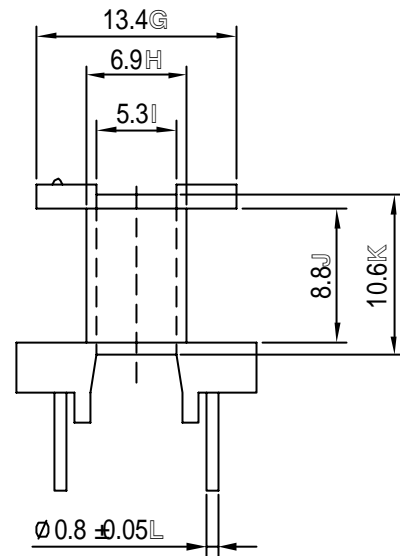
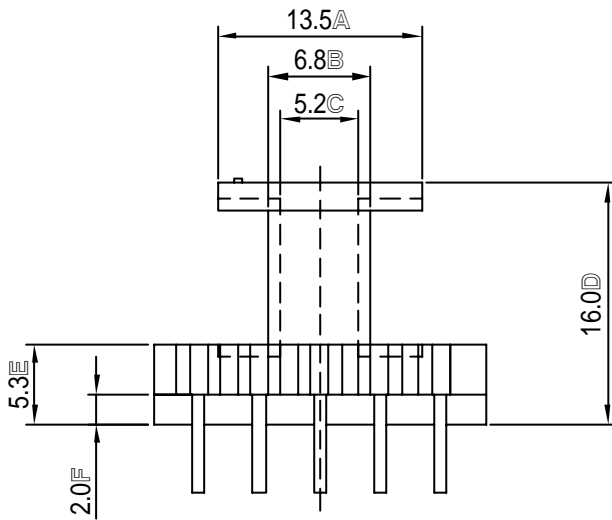
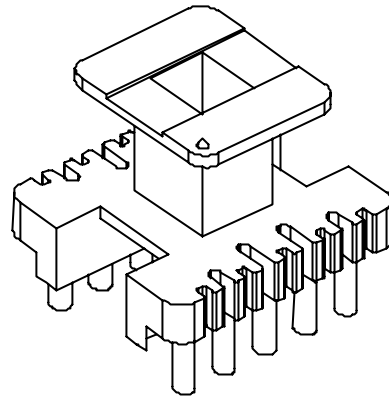
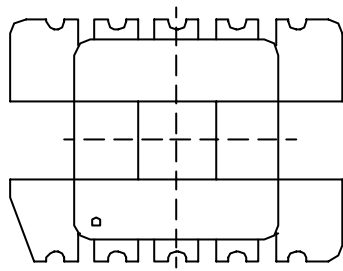
-D1-E22 -P08-



REVISIONS				
ISSUE	SYM	DATE	DRAFTER	CHECKER
NOTE:				

 <b>樹林企業股份有限公司</b> TAIWAN SHULIN ENTERPRISE CO., LTD	MODEL		TF-2207 -2	
	MATERIAL		PHENOLIC	
WEB:www.bobbin.com.tw	UL RATING	UL94V-0	TOLERANCE .X $\pm 0.2$ .XX $\pm 0.15$ PIN PITCH $\pm 0.1$	
e-mail:shulin@bobbin.com.tw	PIN MATERIAL	CP WIRE		
(TAIWAN TAIPEI) TEL: (886)2-2223-1500 FAX: (886)2-2222-4646	EDITION	1.0		
(CHINA DONGGUAN) TEL: (86)769-7730-785 FAX: (86)769-7312-387	DATE	2003/9/5	UNIT	MM
(CHINA SUZHOU) TEL: (86)512-6621-0580 FAX: (86)512-6621-0685	SCALE	2/1		

-D1-E22-P09 -



REVISIONS				
ISSUE	SYM	DATE	DRAFTER	CHECKER

NOTE:



**樹林企業股份有限公司**  
TAIWAN SHULIN ENTERPRISE CO., LTD

MODEL

TF-2219

MATERIAL

PHENOLIC

WEB: www.bobbin.com.tw

UL RATING

UL94V-0

TOLERANCE

e-mail: shulin@bobbin.com.tw

PIN MATERIAL

CP WIRE

.X ±0.2

(TAIWAN TAIPEI) TEL: (886)2-2223-1500 FAX: (886)2-2222-4646

EDITION

2.0

.XX ±0.15

(CHINA DONGGUAN) TEL: (86)769-7730-785 FAX: (86)769-7312-387

DATE

2002/8/15

PIN PITCH ±0.1

(CHINA SUZHOU) TEL: (86)512-6621-0580 FAX: (86)512-6621-0685

SCALE

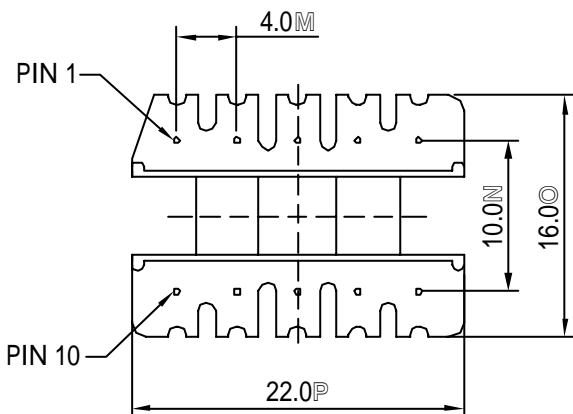
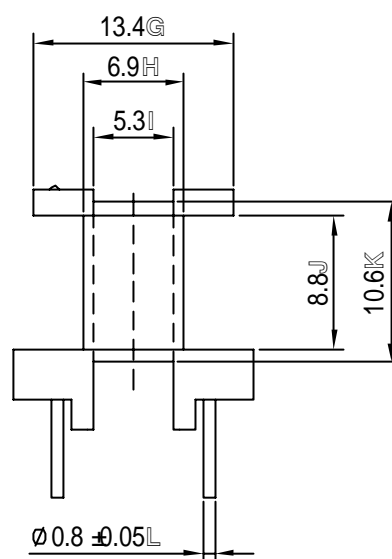
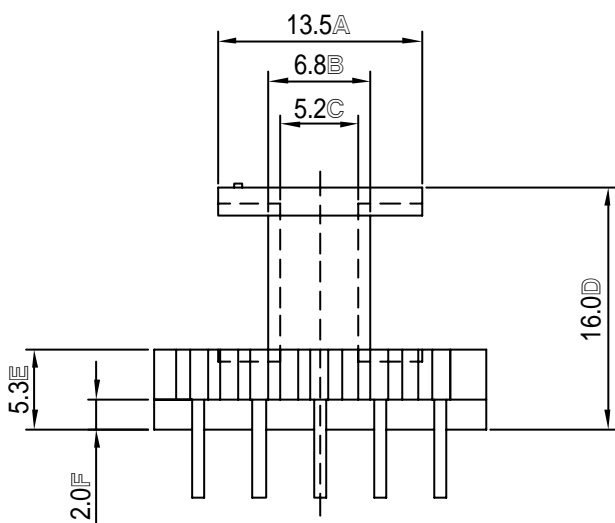
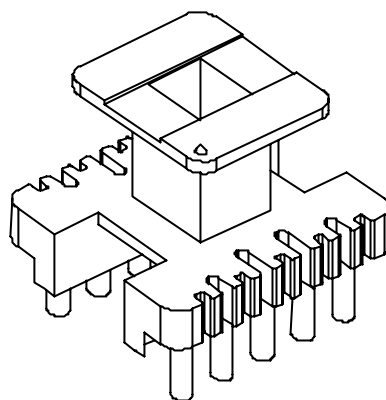
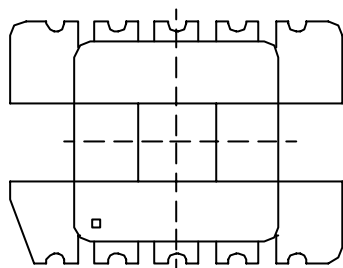
2/1

UNIT

MM

-D1-E22-P10 -

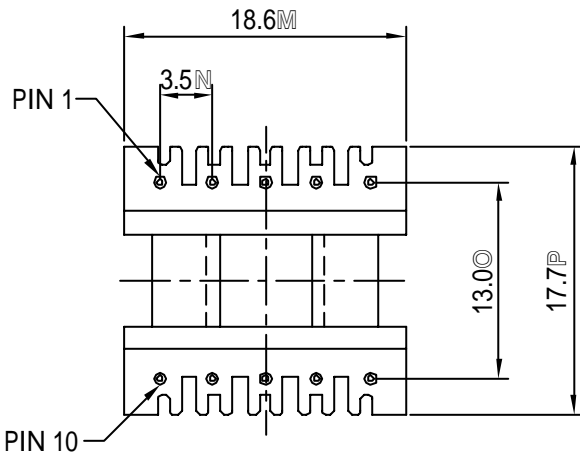
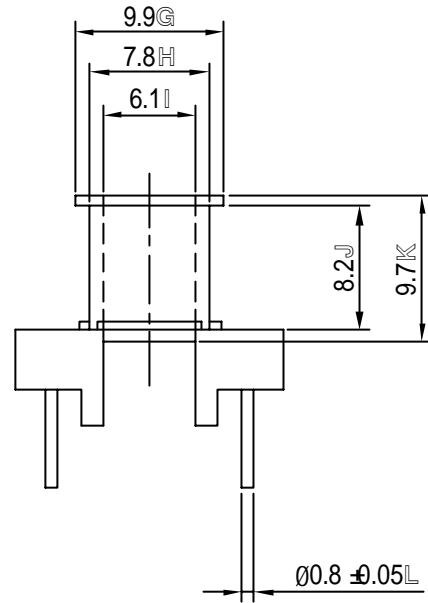
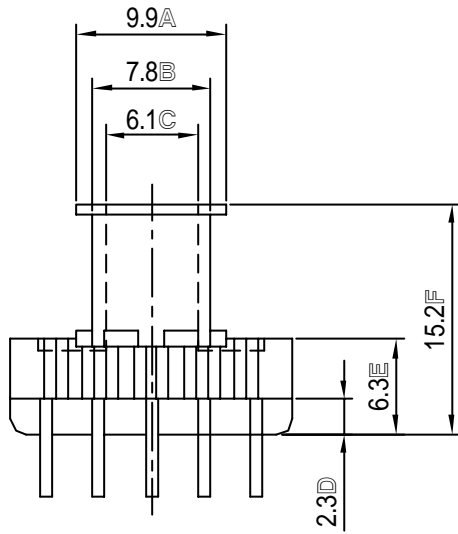
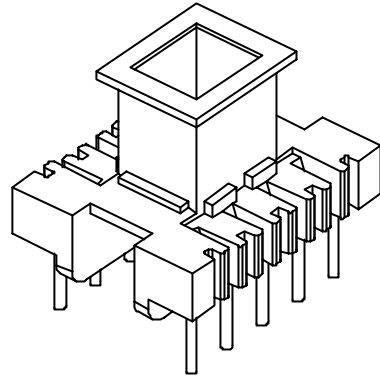
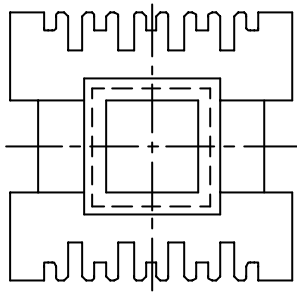





REVISIONS				
ISSUE	SYM	DATE	DRAFTER	CHECKER
NOTE:				

 <b>樹林企業股份有限公司</b> TAIWAN SHULIN ENTERPRISE CO., LTD	MODEL		TF-2219 -1	
	MATERIAL		PHENOLIC	
WEB:www.bobbin.com.tw	UL RATING	UL94V-0	TOLERANCE  .X $\pm 0.2$ .XX $\pm 0.15$ PIN PITCH $\pm 0.1$	
e-mail:shulin@bobbin.com.tw	PIN MATERIAL	CP WIRE		
(TAIWAN TAIPEI) TEL:(886)2-2223-1500 FAX:(886)2-2222-4646	EDITION	1.0		
(CHINA DONGGUAN) TEL:(86)769-7730-785 FAX:(86)769-7312-387	DATE	2003/10/15		
(CHINA SUZHOU) TEL:(86)512-6621-0580 FAX:(86)512-6621-0685	SCALE	2/1	UNIT	MM

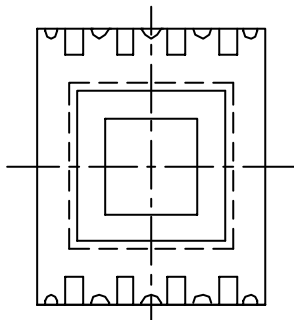
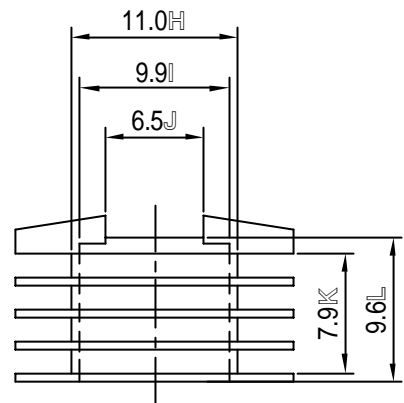
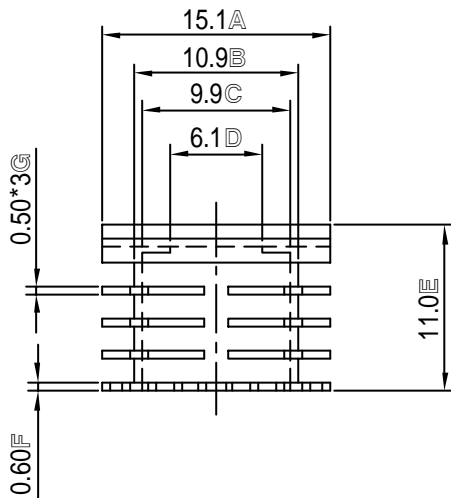
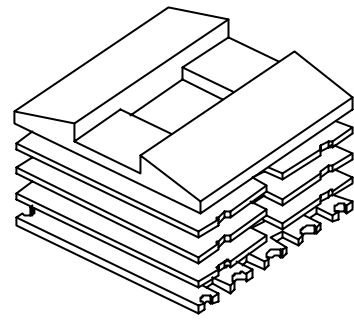
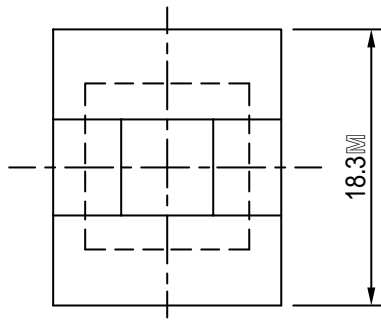
-D1-E22-P13-



REVISIONS				
ISSUE	SYM	DATE	DRAFTER	CHECKER
NOTE:				

 <b>樹林企業股份有限公司</b> TAIWAN SHULIN ENTERPRISE CO., LTD	MODEL	TF-2220 BOBBIN		
	MATERIAL	PHENOLIC		
WEB: www.bobbin.com.tw	UL RATING	UL94V-0	TOLERANCE .X ±0.2 .XX ±0.15 PIN PITCH ±0.1	
e-mail: shulin@bobbin.com.tw	PIN MATERIAL	CP WIRE		
(TAIWAN TAIPEI) TEL: (886)2-2223-1500 FAX: (886)2-2222-4646	EDITION	2.0		
(CHINA DONGGUAN) TEL: (86)769-7730-785 FAX: (86)769-7312-387	DATE	2002/8/15		
(CHINA SUZHOU) TEL: (86)512-6621-0580 FAX: (86)512-6621-0685	SCALE	2/1	UNIT	MM

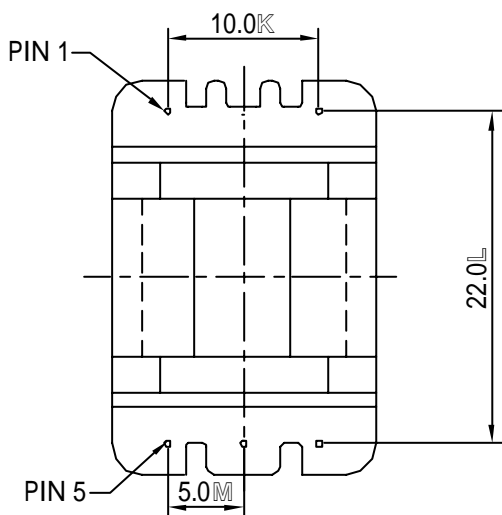
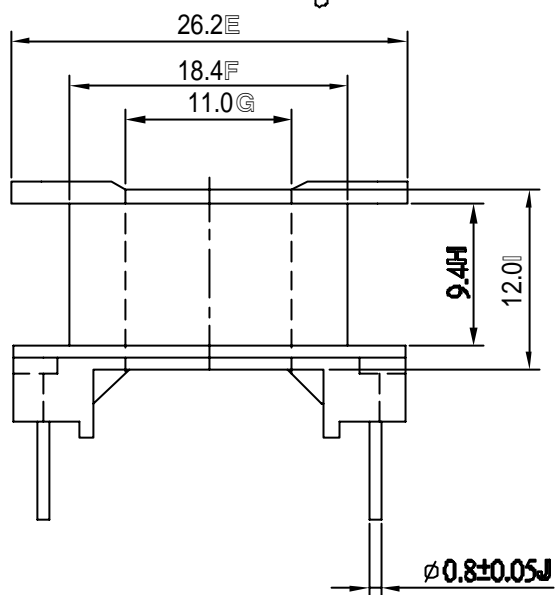
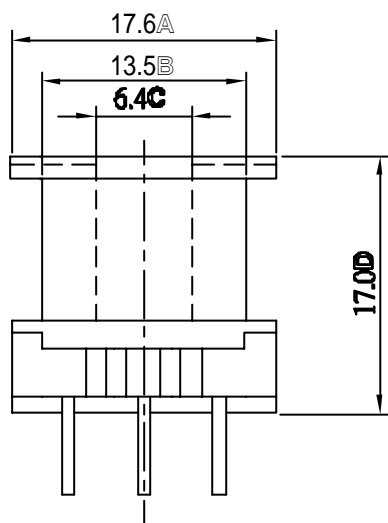
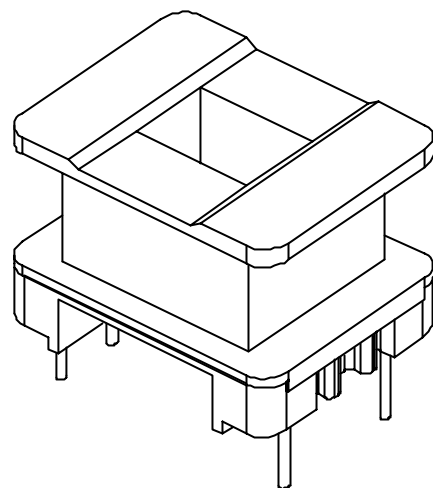
-D1-E22-P11 -



REVISIONS				
ISSUE	SYM	DATE	DRAFTER	CHECKER
NOTE:				

 <b>樹林企業股份有限公司</b> TAIWAN SHULIN ENTERPRISE CO., LTD	MODEL	TF-2220 CASE		
	MATERIAL	PBT		
WEB:www.bobbin.com.tw	UL RATING	UL94V-0	TOLERANCE .X $\pm 0.2$ .XX $\pm 0.15$ PIN PITCH $\pm 0.1$	
e-mail:shulin@bobbin.com.tw	PIN MATERIAL	CP WIRE		
(TAIWAN TAIPEI) TEL:(886)2-2223-1500 FAX:(886)2-2222-4646	EDITION	2.0		
(CHINA DONGGUAN) TEL:(86)769-7730-785 FAX:(86)769-7312-387	DATE	2002/8/15	UNIT	MM
(CHINA SUZHOU) TEL:(86)512-6621-0580 FAX:(86)512-6621-0685	SCALE	2/1		

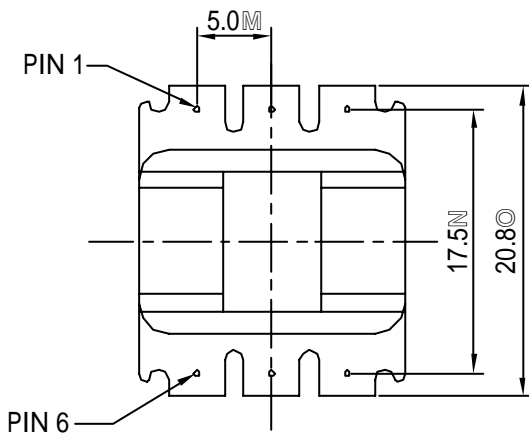
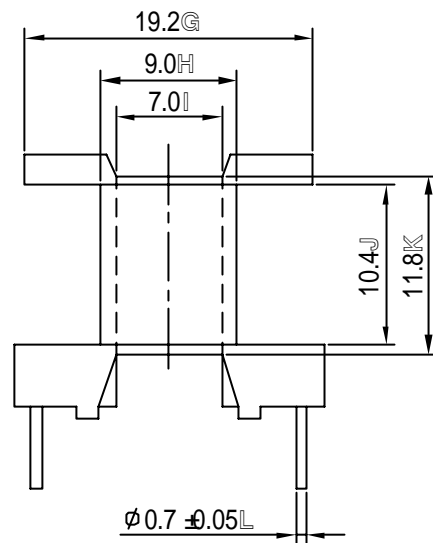
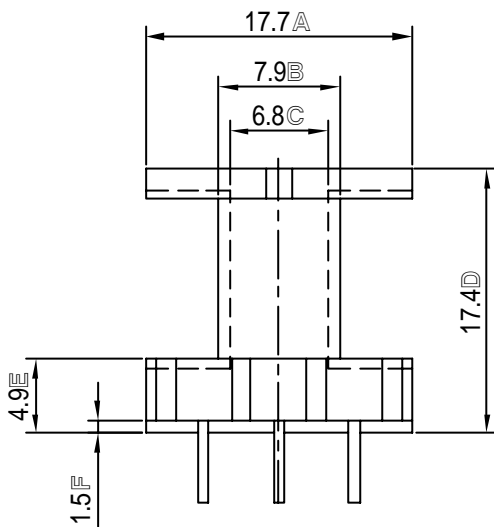
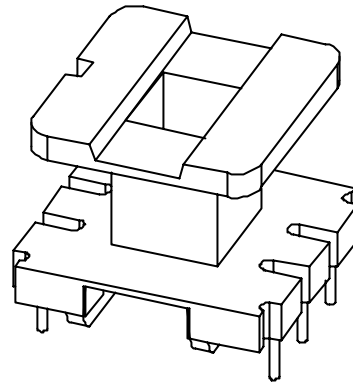
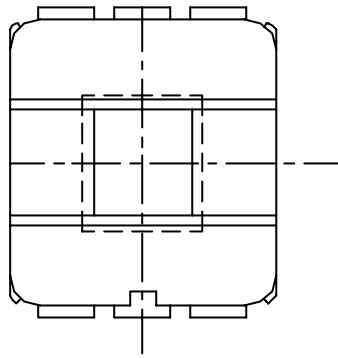
-D1-E22-P12 -



REVISIONS				
ISSUE	SYM	DATE	DRAFTER	CHECKER
NOTE:				

 <b>樹林企業股份有限公司</b> TAIWAN SHULIN ENTERPRISE CO., LTD	MODEL		TF-2402	
	MATERIAL		PHENOLIC / NYLON66	
WEB:www.bobbin.com.tw	UL RATING	UL94V-0	TOLERANCE .X $\pm 0.2$ .XX $\pm 0.15$ PIN PITCH $\pm 0.1$	
e-mail:shulin@bobbin.com.tw	PIN MATERIAL	CP WIRE		
(TAIWAN TAIPEI) TEL:(886)2-2223-1500 FAX:(886)2-2222-4646	EDITION	2.0		
(CHINA DONGGUAN) TEL:(86)769-7730-785 FAX:(86)769-7312-387	DATE	2002/8/15		
(CHINA SUZHOU) TEL:(86)512-6621-0580 FAX:(86)512-6621-0685	SCALE	2/1	UNIT	MM

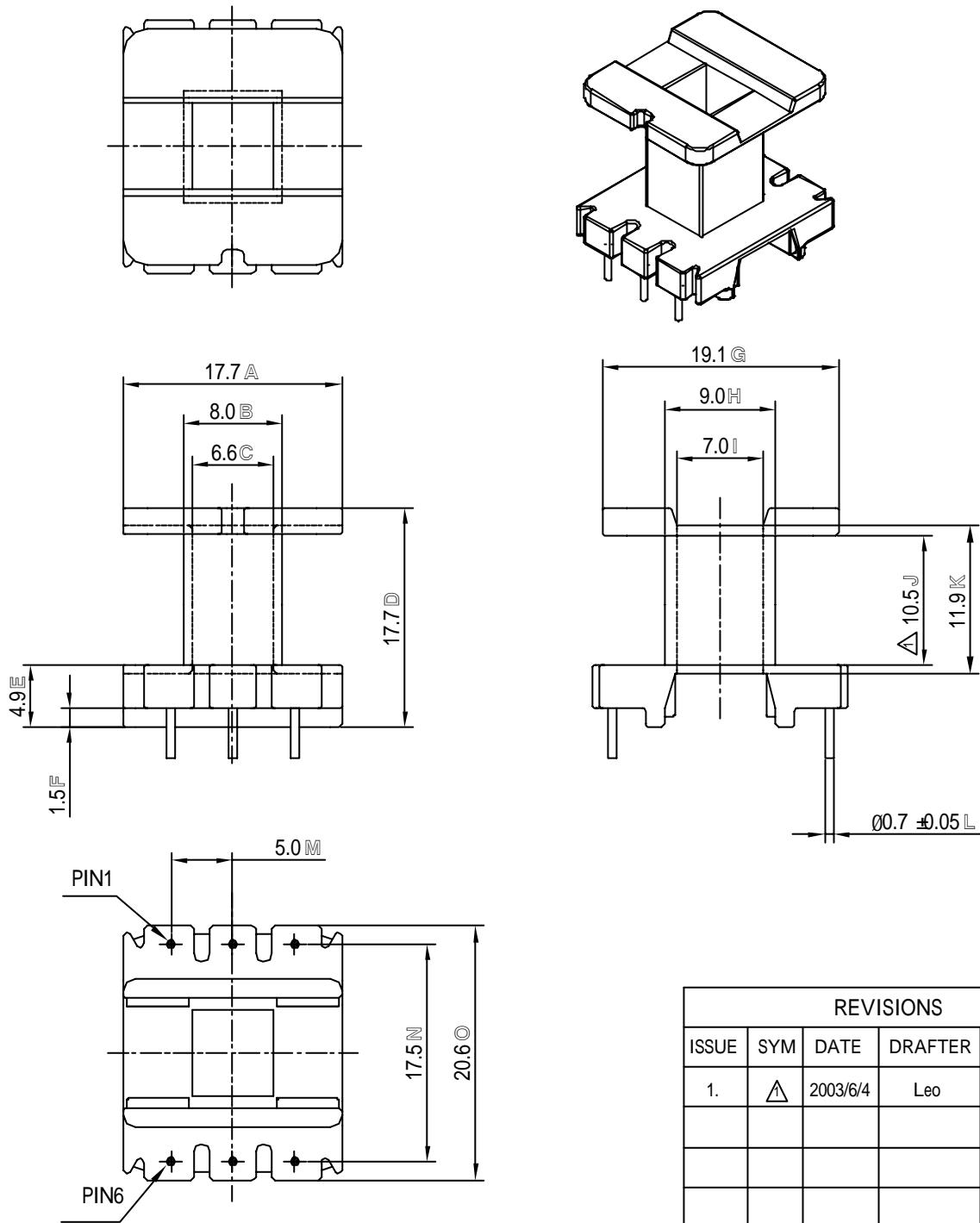
-D1-E24-P01 -



REVISIONS				
ISSUE	SYM	DATE	DRAFTER	CHECKER
NOTE:				

 <b>樹林企業股份有限公司</b> TAIWAN SHULIN ENTERPRISE CO., LTD	MODEL		TF-2403	
	MATERIAL		PHENOLIC	
WEB:www.bobbin.com.tw	UL RATING	UL94V-0	TOLERANCE  .X $\pm 0.2$ .XX $\pm 0.15$ PIN PITCH $\pm 0.1$	
e-mail:shulin@bobbin.com.tw	PIN MATERIAL	CP WIRE		
(TAIWAN TAIPEI) TEL:(886)2-2223-1500 FAX:(886)2-2222-4646	EDITION	2.0		
(CHINA DONGGUAN) TEL:(86)769-7730-785 FAX:(86)769-7312-387	DATE	2002/8/15		
(CHINA SUZHOU) TEL:(86)512-6621-0580 FAX:(86)512-6621-0685	SCALE	2/1	UNIT	MM

-D1-E24-P02 -

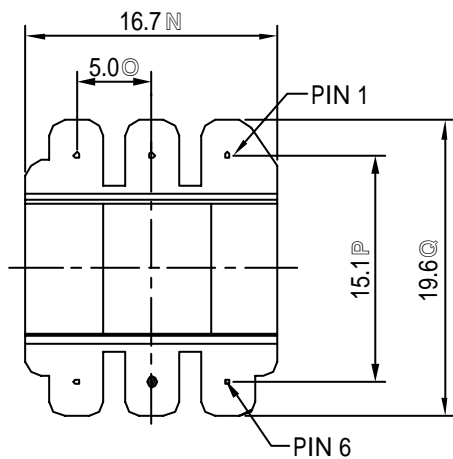
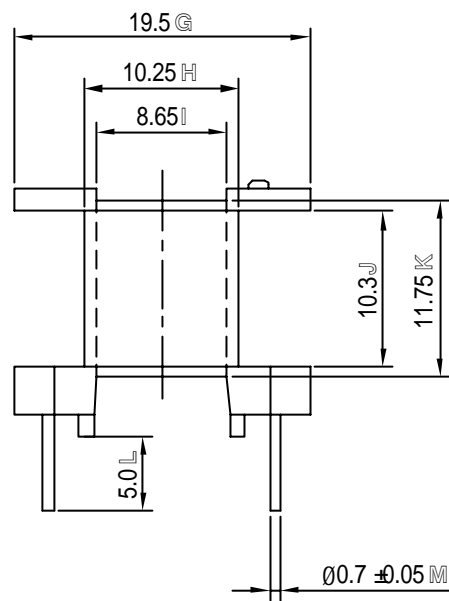
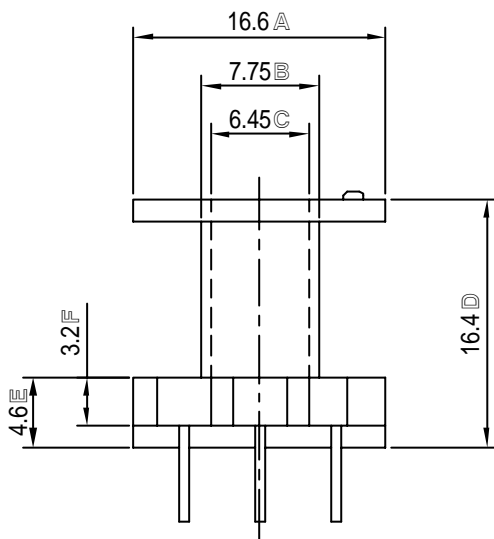
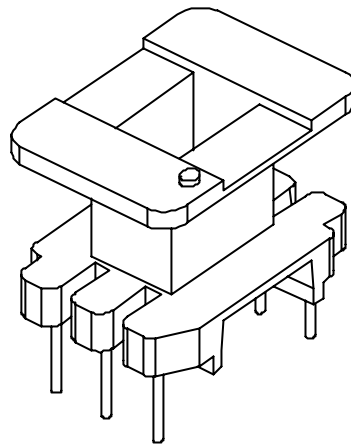
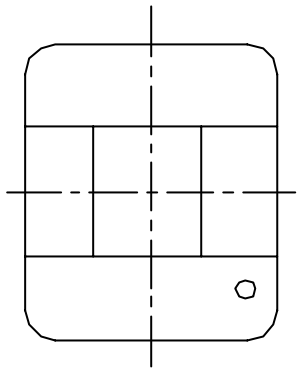


REVISIONS				
ISSUE	SYM	DATE	DRAFTER	CHECKER
1.	△	2003/6/4	Leo	Jackie

NOTE:

 <b>樹林企業股份有限公司</b> TAIWAN SHULIN ENTERPRISE CO., LTD	MODEL		TF-2403 -1	
	MATERIAL		PHENOLIC	
WEB: www.bobbin.com.tw	UL RATING	UL 94V - 0	TOLERANCE .X ±0.2 .XX ±0.15 PIN PITCH ±0.1	
e-mail: shulin@bobbin.com.tw	PIN MATERIAL	CP WIRE		
(TAIWAN TAIPEI) TEL: (886)(02)2225-1278 FAX: (886)(02)2222-4646	EDITION	1.0A		
(CHINA DONGGUAN) TEL: (86)769-7730-785 FAX: (86)769-7312-387	DATE	2003/6/4		
(CHINA SUZHOU) TEL: (86)512-6621-0580 FAX: (86)512-5621-0685	SCALE	1/1	UNIT	MM

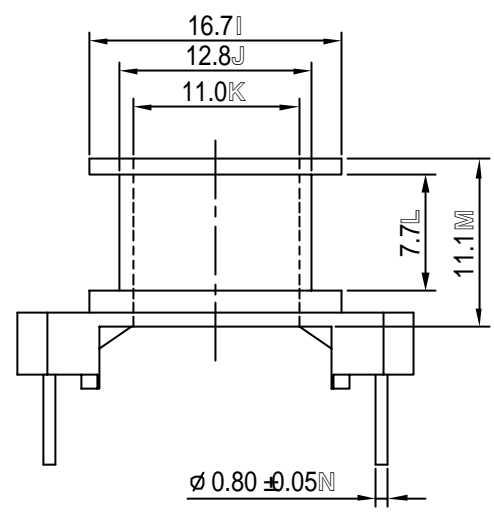
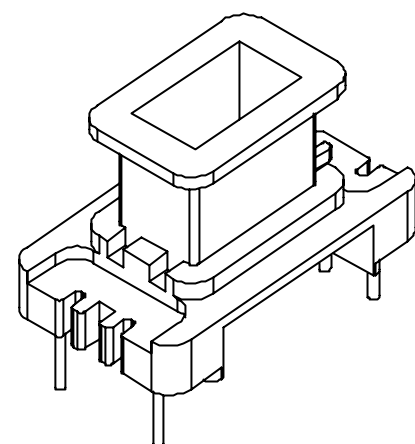
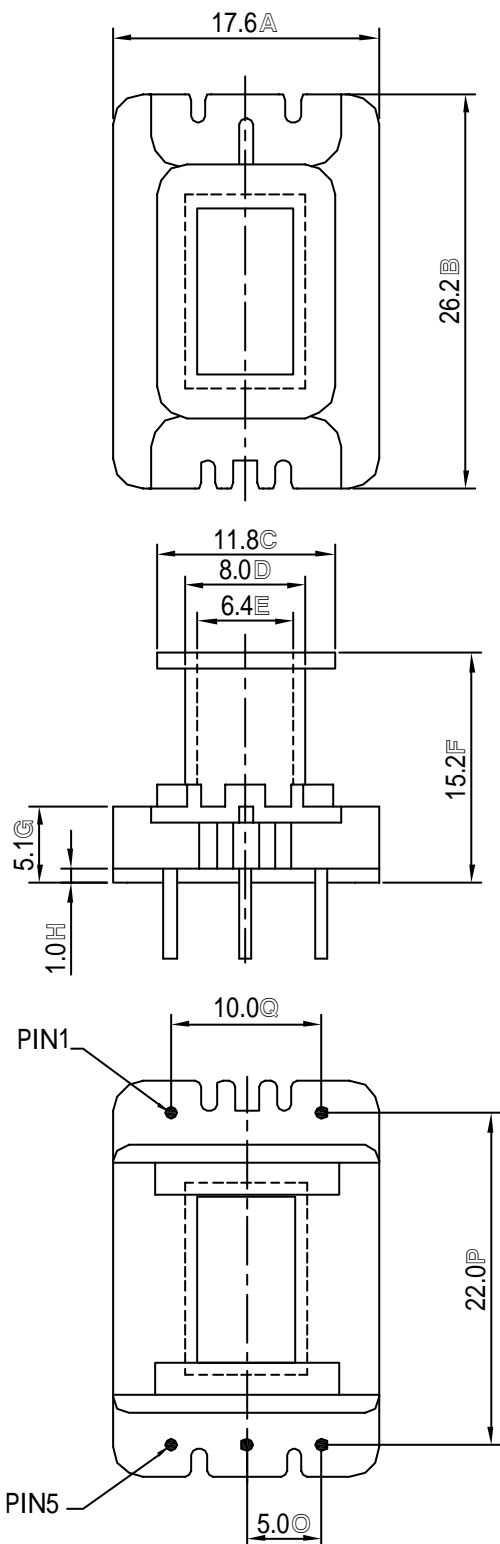
-D1-E24-P03-



REVISIONS				
ISSUE	SYM	DATE	DRAFTER	CHECKER
NOTE:				

 <b>樹林企業股份有限公司</b> TAIWAN SHULIN ENTERPRISE CO., LTD	MODEL		TF-2404	
	MATERIAL		PHENOLIC	
WEB:www.bobbin.com.tw	UL RATING	UL94V-0	TOLERANCE .X ±0.2 .XX ±0.15 PIN PITCH ±0.1	
e-mail:shulin@bobbin.com.tw	PIN MATERIAL	CP WIRE		
(TAIWAN TAIPEI) TEL:(886)2-2223-1500 FAX:(886)2-2222-4646	EDITION	2.0		
(CHINA DONGGUAN) TEL:(86)769-7730-785 FAX:(86)769-7312-387	DATE	2002/8/15	UNIT	MM
(CHINA SUZHOU) TEL:(86)512-6621-0580 FAX:(86)512-6621-0685	SCALE	2/1		

-D1-E24-P04 -

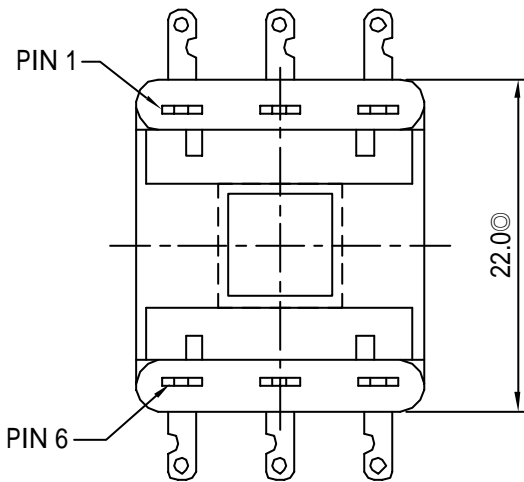
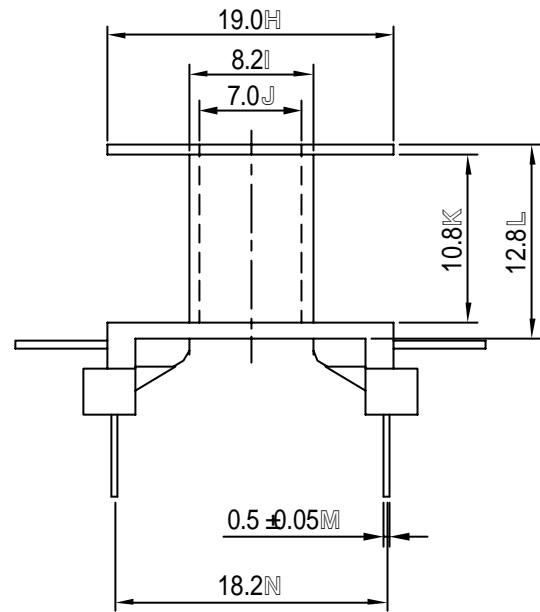
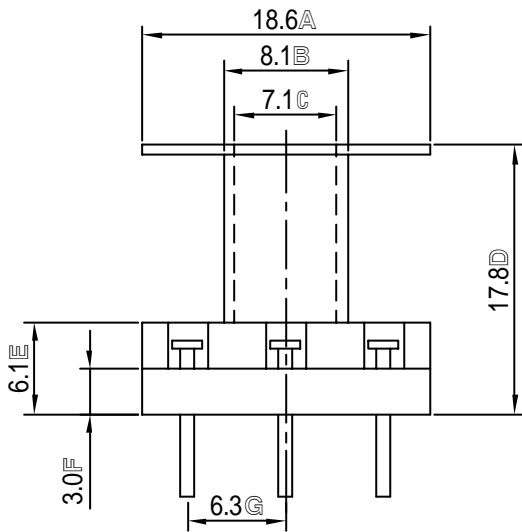
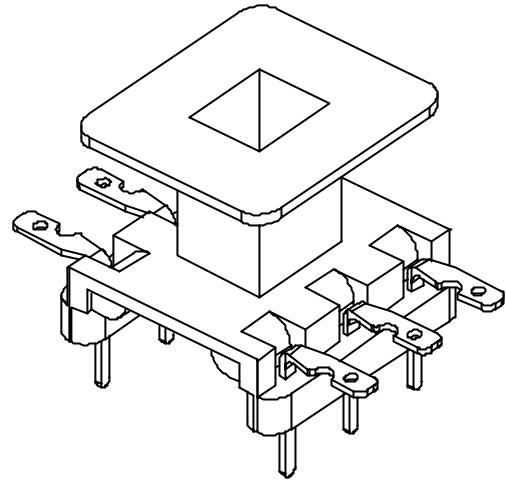
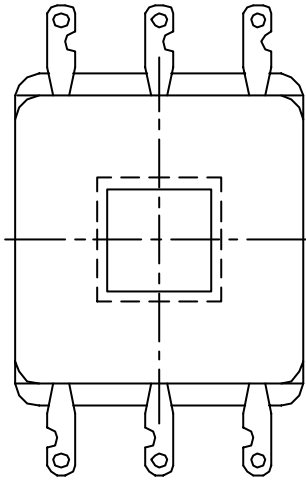


REVISIONS				
ISSUE	SYM	DATE	DRAFTER	CHECKER
NOTE:				

 <b>樹林企業股份有限公司</b> TAIWAN SHULIN ENTERPRISE CO., LTD	MODEL		TF-2405	
	MATERIAL		PHENOLIC	
WEB: www.bobbin.com.tw	UL RATING	UL94V-0	TOLERANCE .X ±0.2 .XX ±0.15 PIN PITCH ±0.1	
e-mail: shulin@bobbin.com.tw	PIN MATERIAL	CP WIRE		
(TAIWAN TAIPEI) TEL: (886)2-2223-1500 FAX: (886)2-2222-4646	EDITION	2.0		
(CHINA DONGGUAN) TEL: (86)769-7730-785 FAX: (86)769-7312-387	DATE	2002/8/15	UNIT	MM
(CHINA SUZHOU) TEL: (86)512-6621-0580 FAX: (86)512-6621-0685	SCALE	2/1		

-D1-E24-P05 -





REVISIONS				
ISSUE	SYM	DATE	DRAFTER	CHECKER

NOTE:



樹林企業股份有限公司

TAIWAN SHULIN ENTERPRISE CO., LTD

WEB:www.bobbin.com.tw

e-mail:shulin@bobbin.com.tw

(TAIWAN TAIPEI) TEL:(886)2-2223-1500 FAX:(886)2-2222-4646

(CHINA DONGGUAN) TEL:(86)769-7730-785 FAX:(86)769-7312-387

(CHINA SUZHOU) TEL:(86)512-6621-0580 FAX:(86)512-6621-0685

MODEL

TF-2503

MATERIAL

NYLON 66

UL RATING

UL94V-0

PIN MATERIAL

PHOS.B

EDITION

2.0

DATE

2002/8/15

SCALE

2/1

TOLERANCE

.X ±0.2

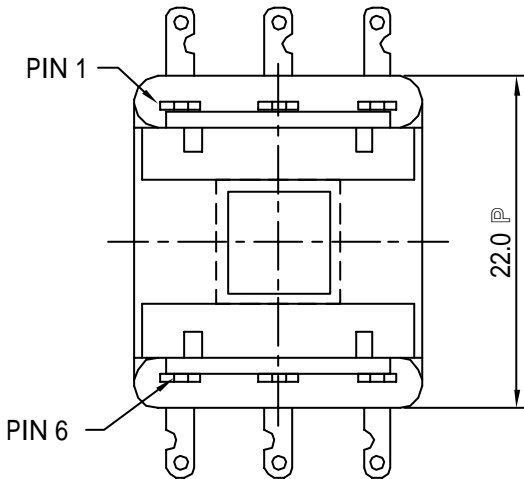
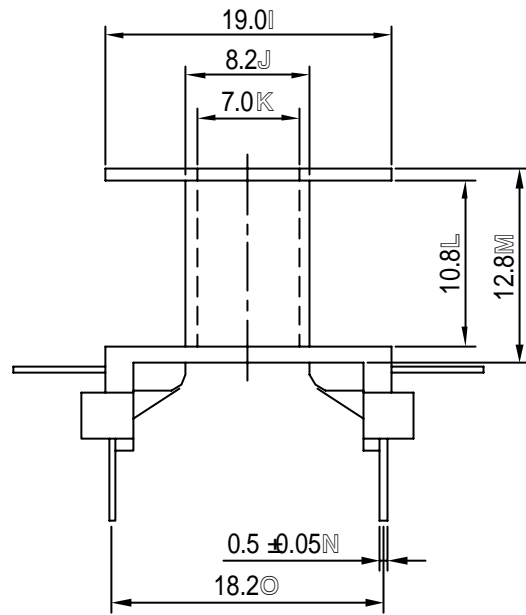
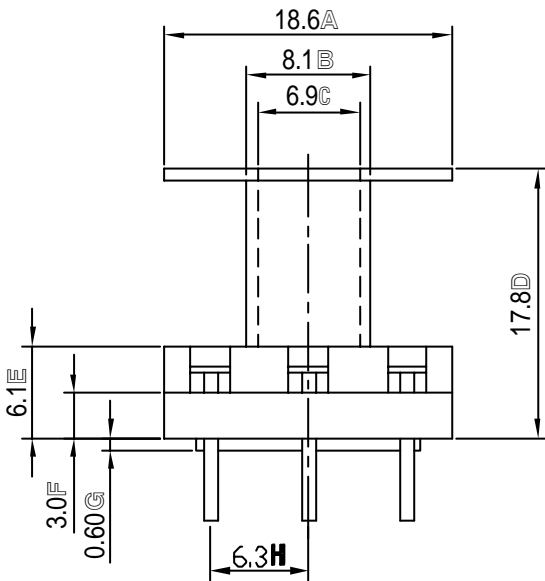
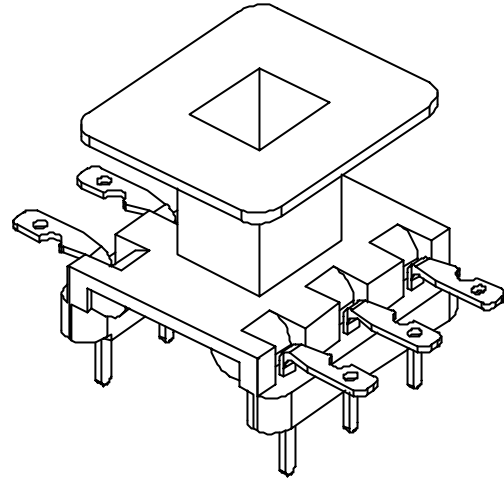
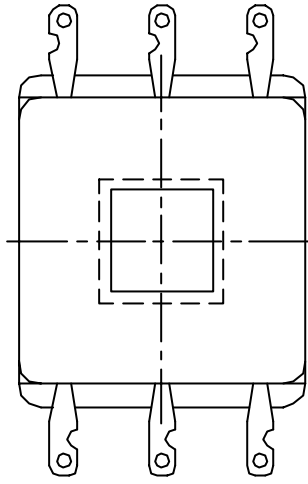
.XX ±0.15

PIN PITCH ±0.1

UNIT

MM

-D1-E25-P01 -



REVISIONS				
ISSUE	SYM	DATE	DRAFTER	CHECKER

NOTE:



樹林企業股份有限公司  
TAIWAN SHULIN ENTERPRISE CO., LTD

MODEL

TF-2503-1

MATERIAL

NYLON 66

WEB:www.bobbin.com.tw

UL RATING

UL94V-0

TOLERANCE

e-mail:shulin@bobbin.com.tw

PIN MATERIAL

PHOS.B

.X ±0.2

(TAIWAN TAIPEI) TEL:(886)2-2223-1500 FAX:(886)2-2222-4646

EDITION

2.0

.XX ±0.15

(CHINA DONGGUAN) TEL:(86)769-7730-785 FAX:(86)769-7312-387

DATE

2002/8/15

PIN PITCH ±0.1

(CHINA SUZHOU) TEL:(86)512-6621-0580 FAX:(86)512-6621-0685

SCALE

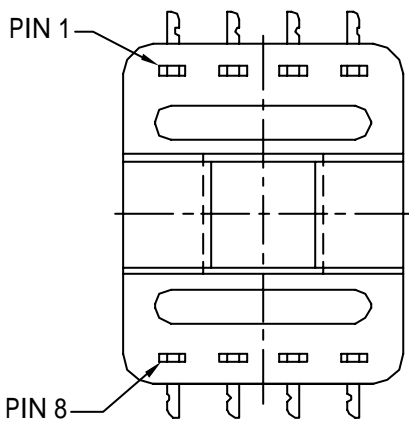
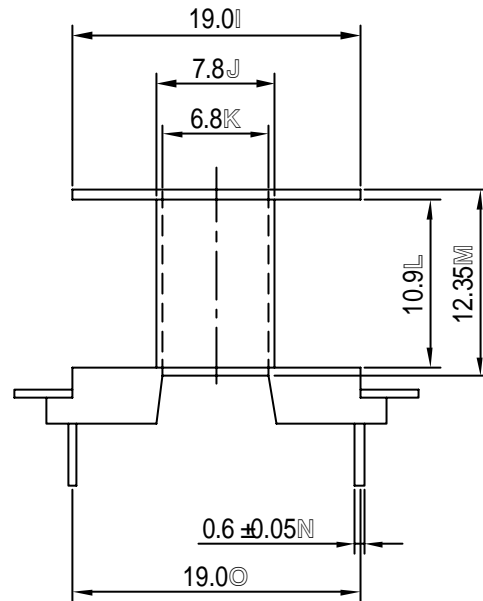
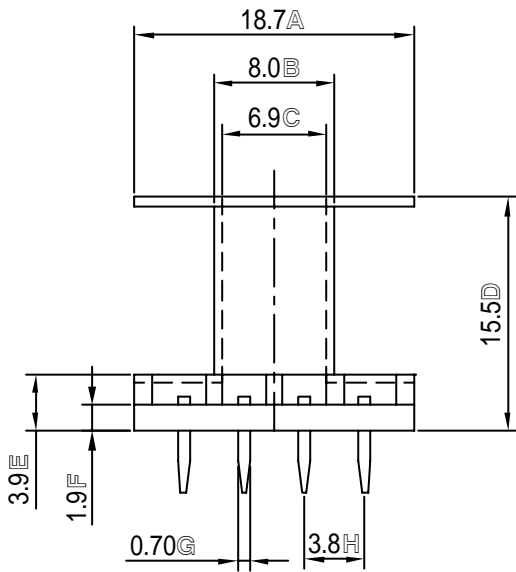
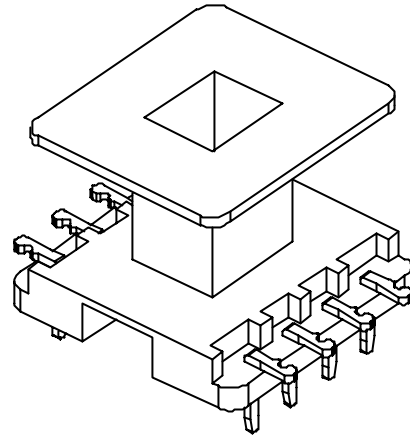
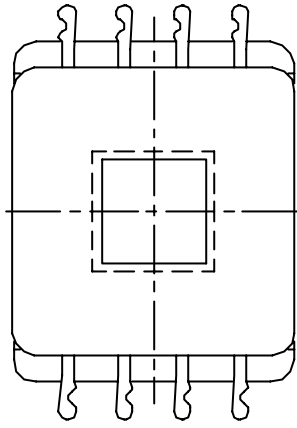
2/1

UNIT


MM

-D1-E25-P02 -

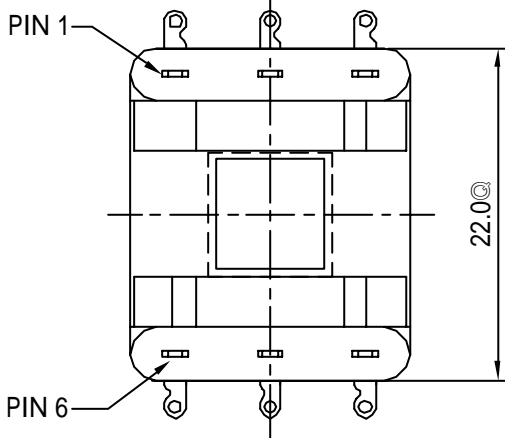
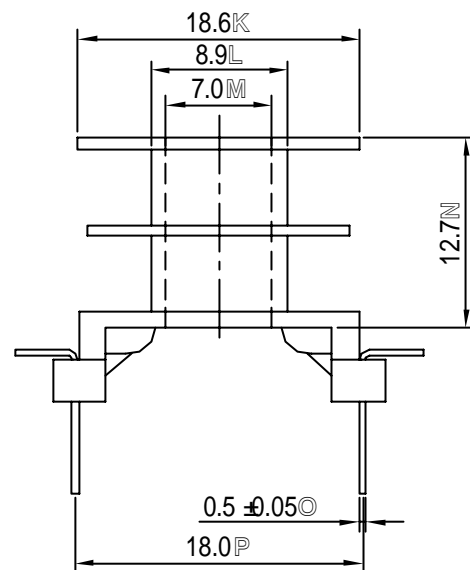
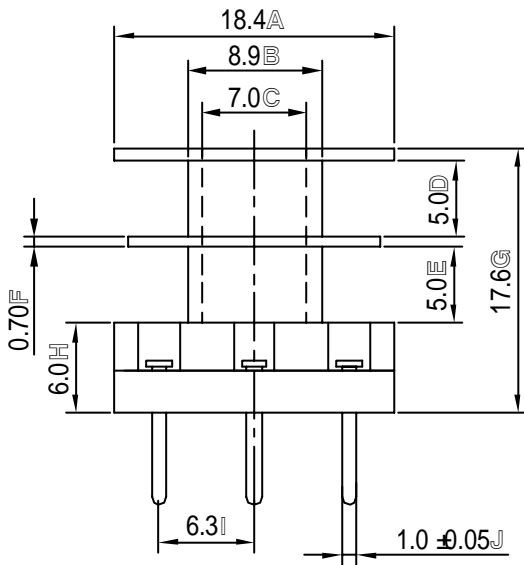
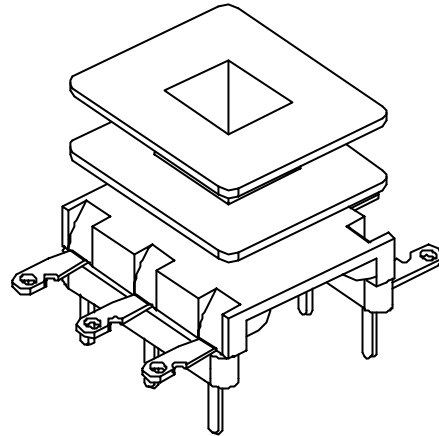
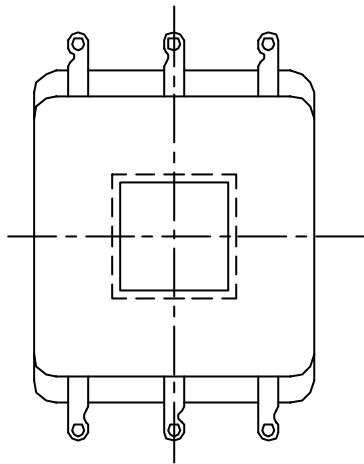
本图面版权属台湾树林，本人仅将其汇总。不承担任何法律责任！！QQ：195502110



REVISIONS				
ISSUE	SYM	DATE	DRAFTER	CHECKER
NOTE:				

 <b>樹林企業股份有限公司</b> <b>TAIWAN SHULIN ENTERPRISE CO., LTD</b>	MODEL		TF-2504	
	MATERIAL		NYLON 66	
WEB:www.bobbin.com.tw	UL RATING	UL94V-0	TOLERANCE .X ±0.2 .XX ±0.15 PIN PITCH ±0.1	
e-mail:shulin@bobbin.com.tw	PIN MATERIAL	PHOS.B		
(TAIWAN TAIPEI) TEL:(886)2-2223-1500 FAX:(886)2-2222-4646	EDITION	2.0		
(CHINA DONGGUAN) TEL:(86)769-7730-785 FAX:(86)769-7312-387	DATE	2002/8/15		
(CHINA SUZHOU) TEL:(86)512-6621-0580 FAX:(86)512-6621-0685	SCALE	2/1	UNIT	MM

-D1-E25-P03 -



REVISIONS				
ISSUE	SYM	DATE	DRAFTER	CHECKER

NOTE:



樹林企業股份有限公司

TAIWAN SHULIN ENTERPRISE CO., LTD

WEB:www.bobbin.com.tw

e-mail:shulin@bobbin.com.tw

(TAIWAN TAIPEI) TEL:(886)2-2223-1500 FAX:(886)2-2222-4646

(CHINA DONGGUAN) TEL:(86)769-7730-785 FAX:(86)769-7312-387

(CHINA SUZHOU) TEL:(86)512-6621-0580 FAX:(86)512-6621-0685

MODEL

TF-2505

MATERIAL

PBT/NYLON 66

UL RATING

UL94V-0

PIN MATERIAL

PHOS.B

EDITION

2.0A

DATE

2003/7/30

SCALE

2/1

TOLERANCE

.X ±0.2

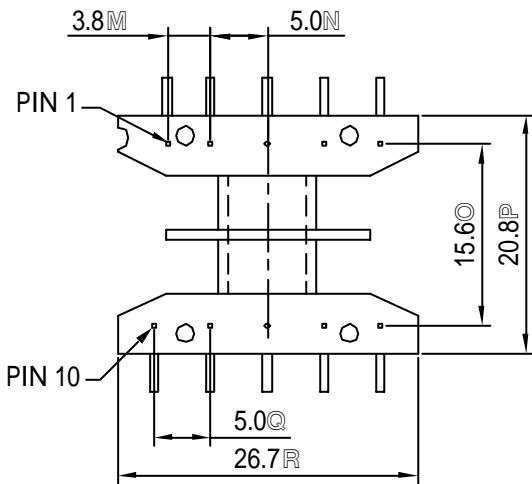
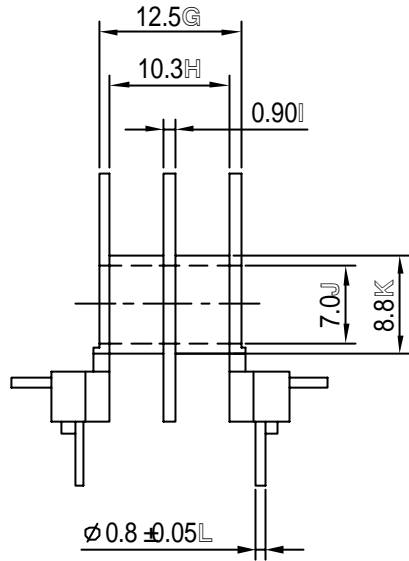
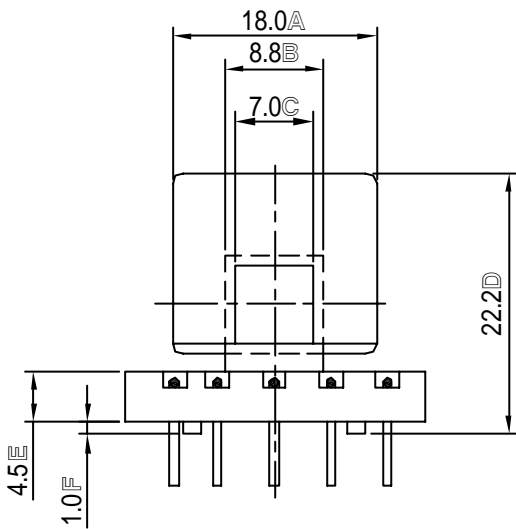
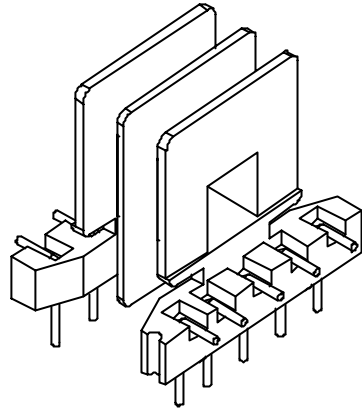
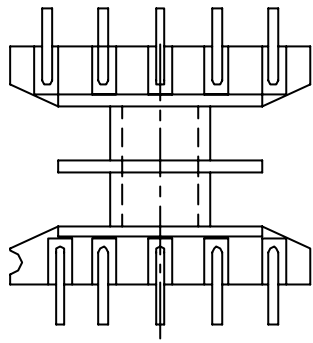
.XX ±0.15

PIN PITCH ±0.1

UNIT

MM

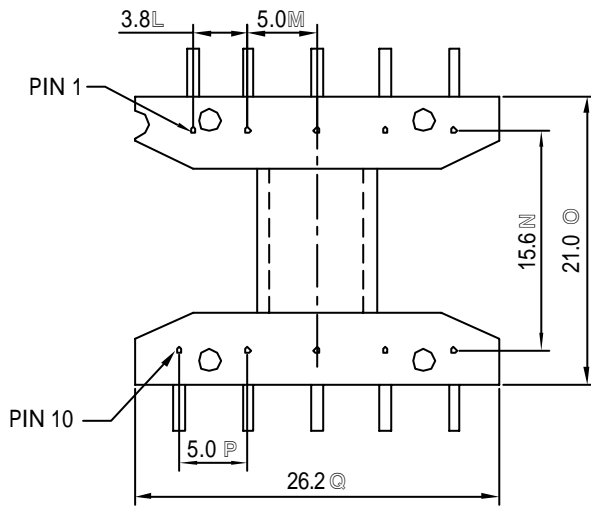
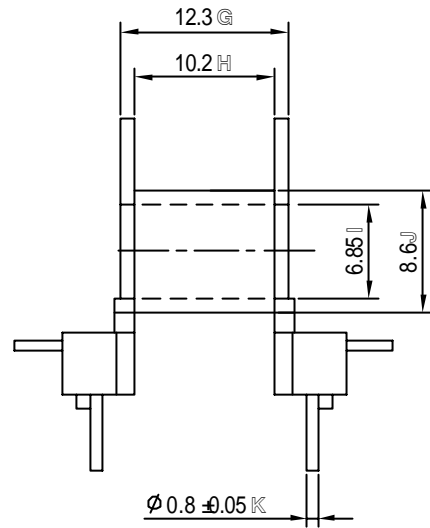
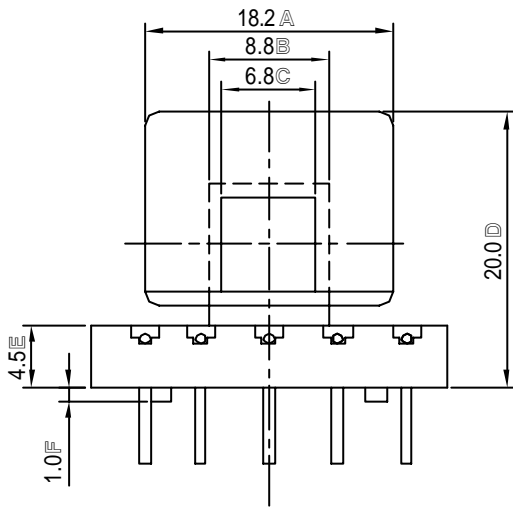
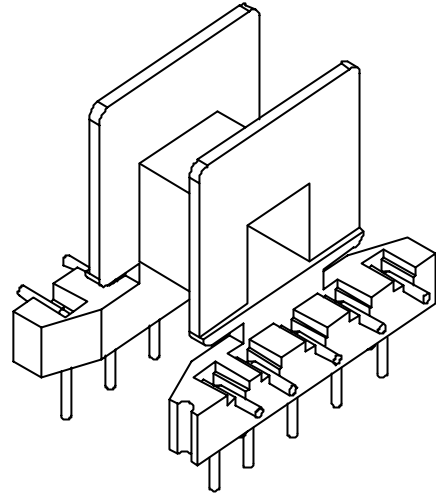
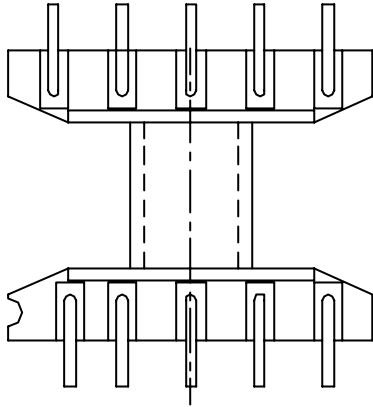
-D1-E25-P04 -



REVISIONS				
ISSUE	SYM	DATE	DRAFTER	CHECKER
NOTE:				

 <b>樹林企業股份有限公司</b> TAIWAN SHULIN ENTERPRISE CO., LTD	MODEL		TF-2507	
	MATERIAL		PBT	
WEB:www.bobbin.com.tw	UL RATING	UL94V-0	TOLERANCE  .X $\pm 0.2$ .XX $\pm 0.15$ PIN PITCH $\pm 0.1$	
e-mail:shulin@bobbin.com.tw	PIN MATERIAL	CP WIRE		
(TAIWAN TAIPEI) TEL:(886)2-2223-1500 FAX:(886)2-2222-4646	EDITION	2.0		
(CHINA DONGGUAN) TEL:(86)769-7730-785 FAX:(86)769-7312-387	DATE	2002/8/15		
(CHINA SUZHOU) TEL:(86)512-6621-0580 FAX:(86)512-6621-0685	SCALE	1.5/1	UNIT	MM

-D1-E25-P05-



REVISIONS				
ISSUE	SYM	DATE	DRAFTER	CHECKER

NOTE:



樹林企業股份有限公司

TAIWAN SHULIN ENTERPRISE CO., LTD

WEB: www.bobbin.com.tw

e-mail: shulin@bobbin.com.tw

(TAIWAN TAIPEI) TEL: (886)2-2223-1500 FAX: (886)2-2222-4646

(CHINA DONGGUAN) TEL: (86)769-7730-785 FAX: (86)769-7312-387

(CHINA SUZHOU) TEL: (86)512-6621-0580 FAX: (86)512-6621-0685

MODEL

TF-2509

MATERIAL

PBT

UL RATING

UL94V-0

TOLERANCE

PIN MATERIAL

CP WIRE

.X  $\pm 0.2$

.XX  $\pm 0.15$

EDITION

2.0

PIN PITCH  $\pm 0.1$

DATE

2002/8/15

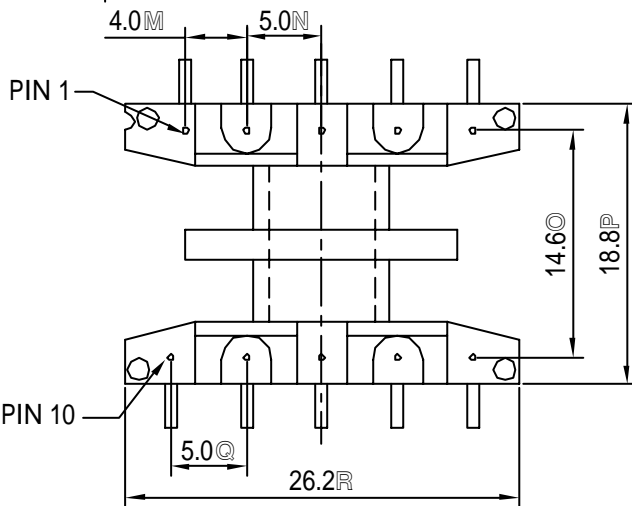
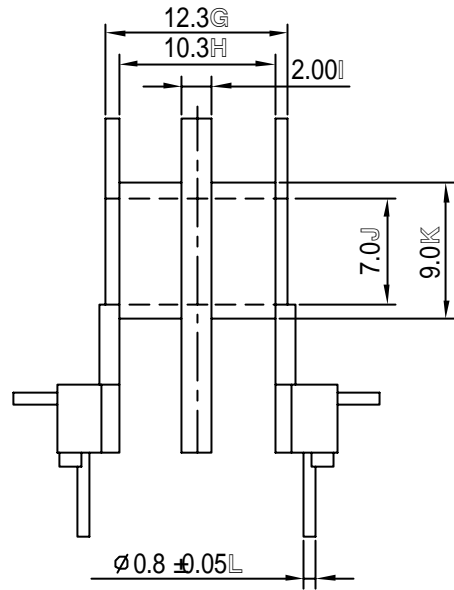
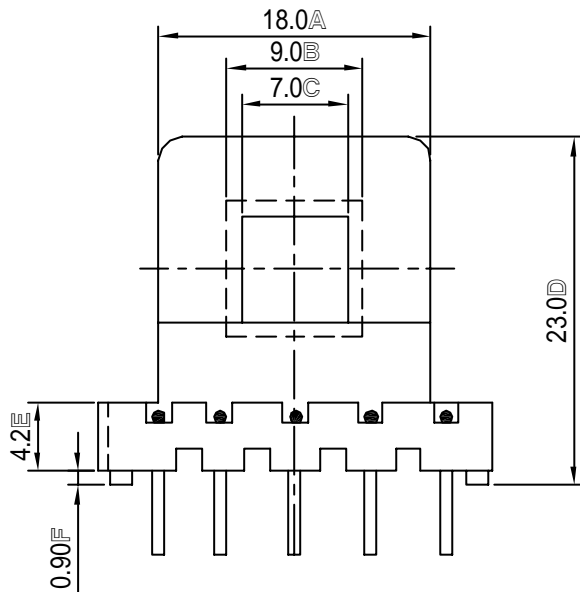
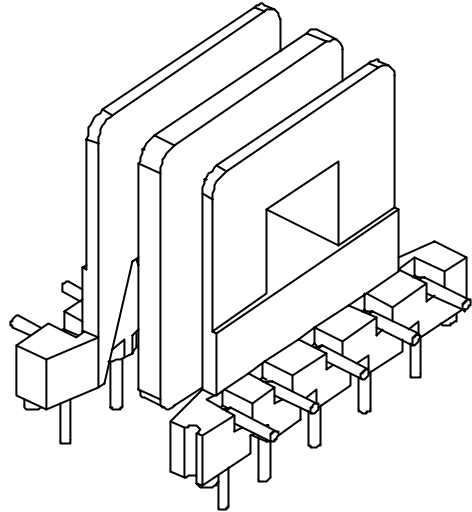
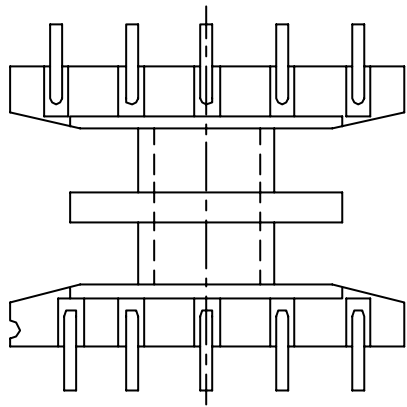
SCALE

2/1

UNIT

MM

-D1-E25-P06-



REVISIONS				
ISSUE	SYM	DATE	DRAFTER	CHECKER

NOTE:



**樹林企業股份有限公司**

TAIWAN SHULIN ENTERPRISE CO., LTD

WEB: [www.bobbin.com.tw](http://www.bobbin.com.tw)

e-mail: [shulin@bobbin.com.tw](mailto:shulin@bobbin.com.tw)

(TAIWAN TAIPEI) TEL: (886)2-2223-1500 FAX: (886)2-2222-4646

(CHINA DONGGUAN) TEL: (86)769-7730-785 FAX: (86)769-7312-387

(CHINA SUZHOU) TEL: (86)512-6621-0580 FAX: (86)512-6621-0685

MODEL

TF-2510

MATERIAL

PBT

UL RATING

UL94V-0

TOLERANCE

PIN MATERIAL

CP WIRE

.X  $\pm 0.2$

.XX  $\pm 0.15$

EDITION

2.0

DATE

2002/8/15

PIN PITCH  $\pm 0.1$

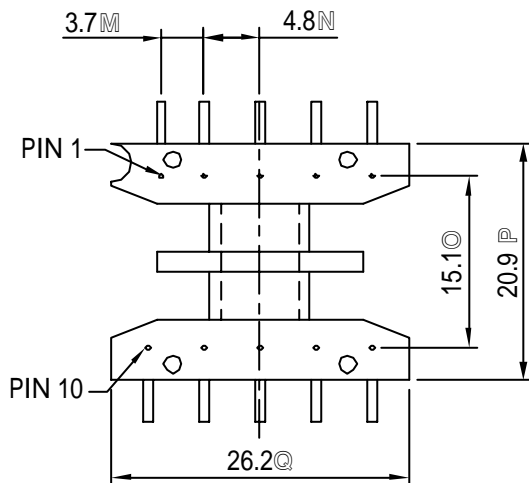
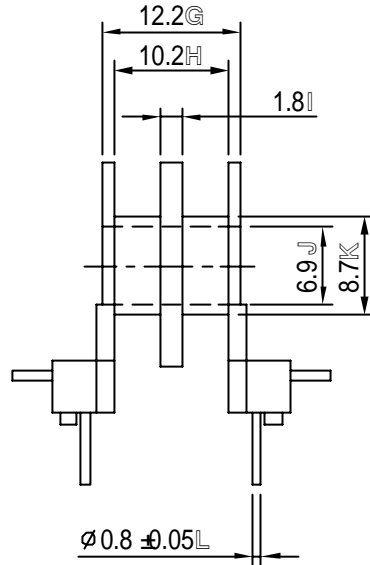
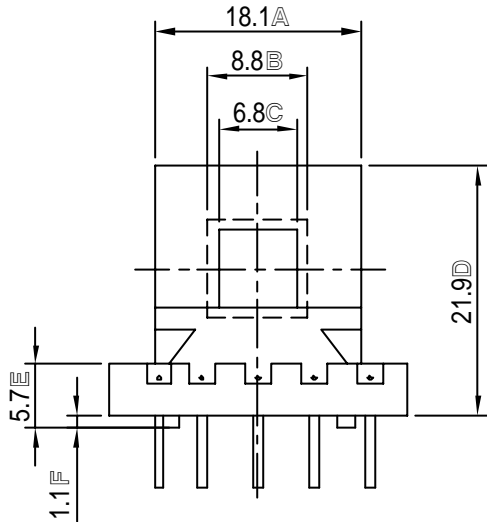
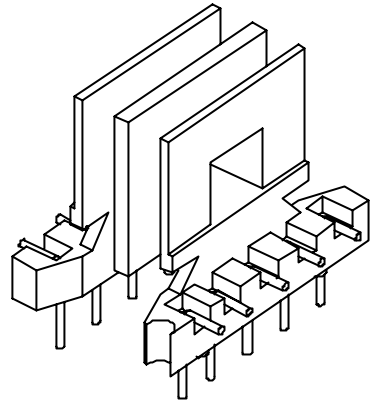
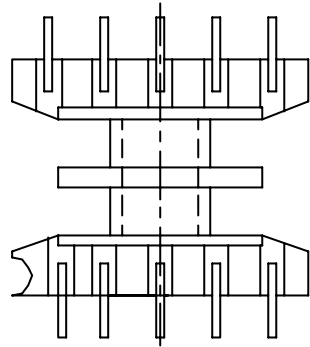
SCALE

2/1

UNIT

MM

-D1-E25-P07 -



REVISIONS				
ISSUE	SYM	DATE	DRAFTER	CHECKER

NOTE:



樹林企業股份有限公司

TAIWAN SHULIN ENTERPRISE CO., LTD

WEB: www.bobbin.com.tw

e-mail: shulin@bobbin.com.tw

(TAIWAN TAIPEI) TEL: (886)2-2223-1500 FAX: (886)2-2222-4646

(CHINA DONGGUAN) TEL: (86)769-7730-785 FAX: (86)769-7312-387

(CHINA SUZHOU) TEL: (86)512-6621-0580 FAX: (86)512-6621-0685

MODEL

TF-2510-1

MATERIAL

PBT

UL RATING

UL94V-0

TOLERANCE

PIN MATERIAL

CP WIRE

.X  $\pm 0.2$

.XX  $\pm 0.15$

EDITION

2.0

PIN PITCH  $\pm 0.1$

DATE

2002/8/15

SCALE

1.5/1

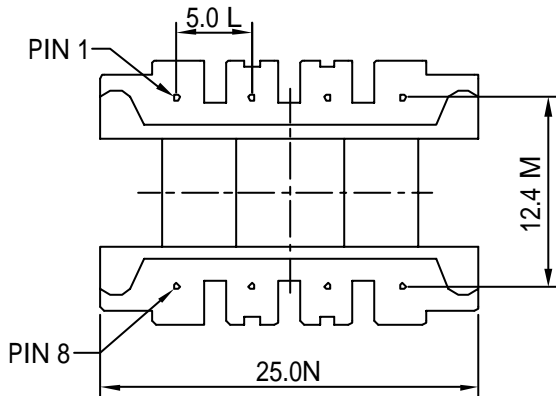
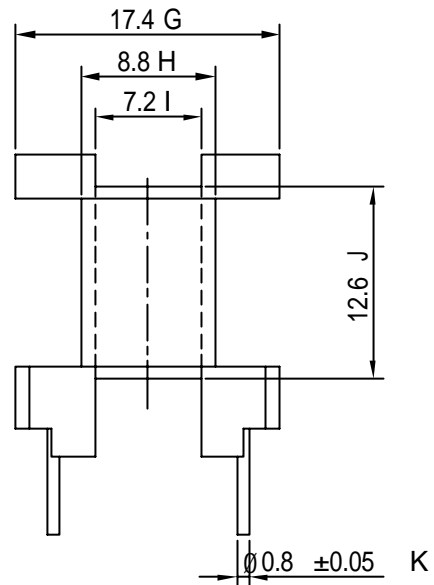
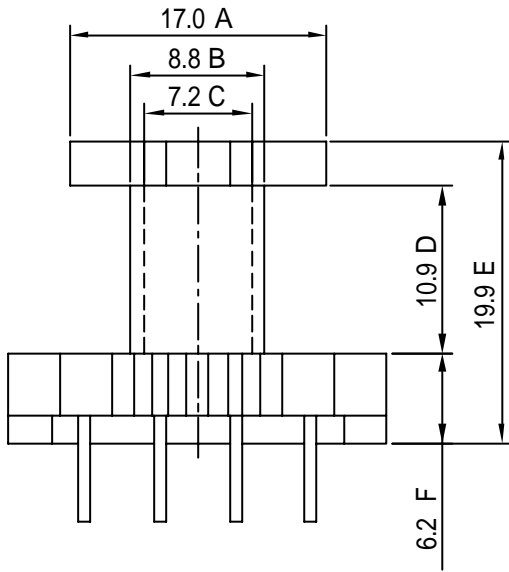
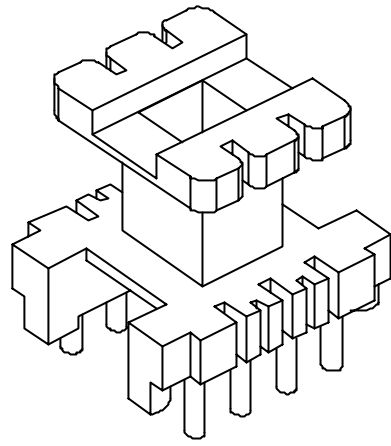
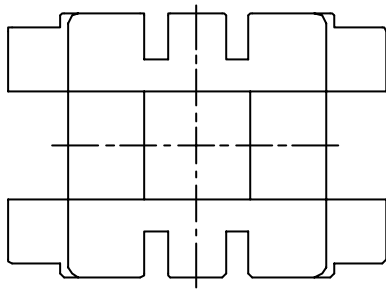
UNIT

MM

-D1-E25-P08 -

本图面版权属台湾树林，本人仅将其汇总。不承担任何法律责任！！QQ: 195502110





REVISIONS				
ISSUE	SYM	DATE	DRAFTER	CHECKER

NOTE:



樹林企業股份有限公司

TAIWAN SHULIN ENTERPRISE CO., LTD

WEB: www.bobbin.com.tw

e-mail: shulin@bobbin.com.tw

(TAIWAN TAIPEI) TEL: (886)2-2223-1500 FAX: (886)2-2222-4646

(CHINA DONGGUAN) TEL: (86)769-7730-785 FAX: (86)769-7312-387

(CHINA SUZHOU) TEL: (86)512-6621-0580 FAX: (86)512-6621-0685

MODEL

TF-2511

MATERIAL

PHENOLIC

UL RATING

UL94V-0

PIN MATERIAL

CP WIRE

EDITION

2.0

DATE

2002/8/15

SCALE

2/1

TOLERANCE

.X  $\pm 0.2$

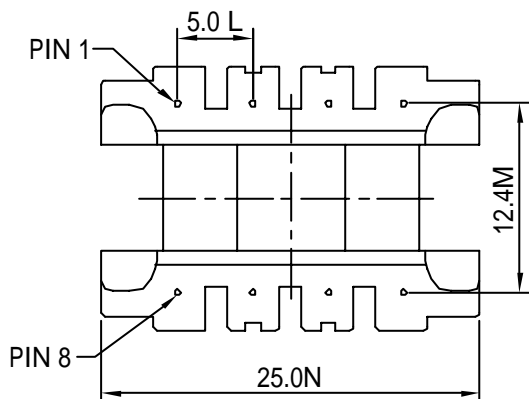
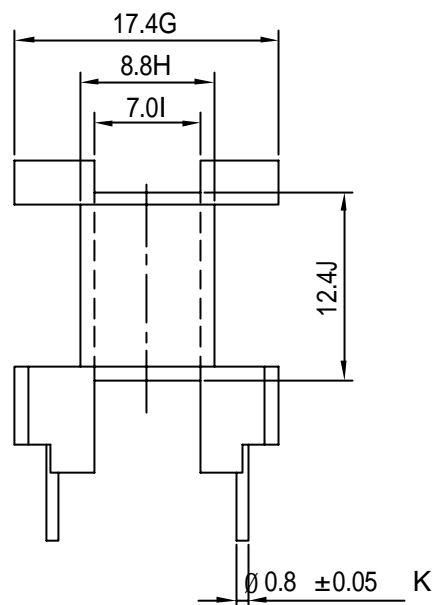
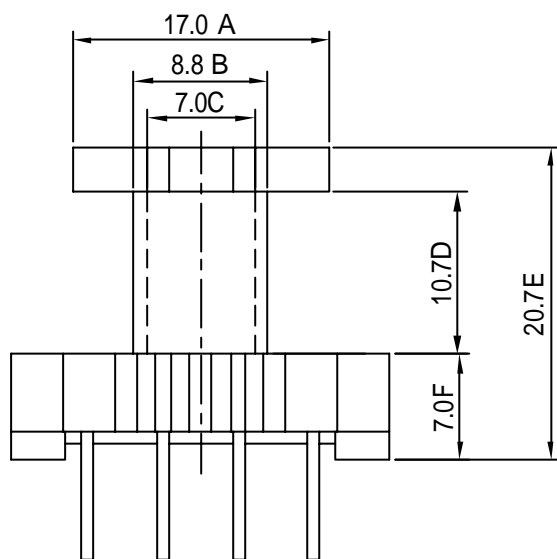
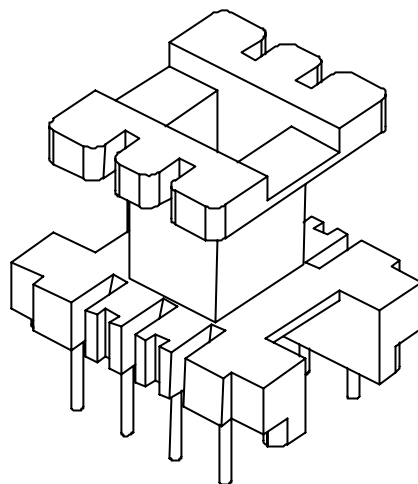
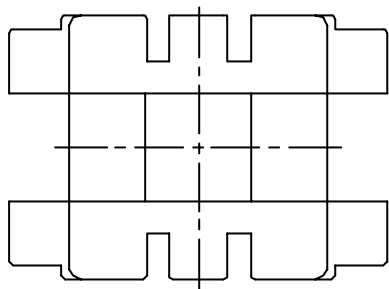
.XX  $\pm 0.15$

PIN PITCH  $\pm 0.1$

UNIT

MM

-D1-E25-P09 -



REVISIONS				
ISSUE	SYM	DATE	DRAFTER	CHECKER

NOTE:



樹林企業股份有限公司

TAIWAN SHULIN ENTERPRISE CO., LTD

MODEL

TF-2511-1

MATERIAL

PHENOLIC

WEB: [www.bobbin.com.tw](http://www.bobbin.com.tw)

UL RATING

UL94V-0

TOLERANCE

e-mail: [shulin@bobbin.com.tw](mailto:shulin@bobbin.com.tw)

PIN MATERIAL

CP WIRE

.X ±0.2

(TAIWAN TAIPEI) TEL: (886)2-2223-1500 FAX: (886)2-2222-4646

EDITION

2.0

.XX ±0.15

(CHINA DONGGUAN) TEL: (86)769-7730-785 FAX: (86)769-7312-387

DATE

2002/8/15

PIN PITCH ±0.1

(CHINA SUZHOU) TEL: (86)512-6621-0580 FAX: (86)512-6621-0685

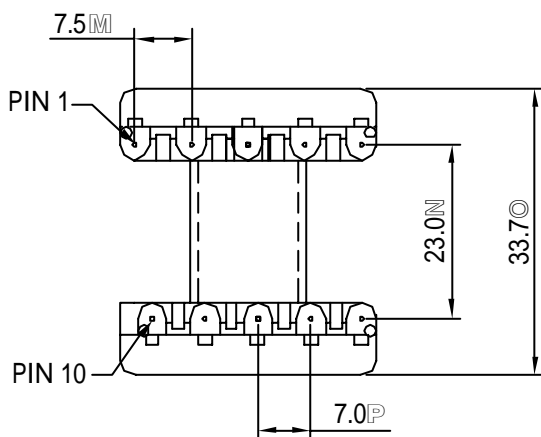
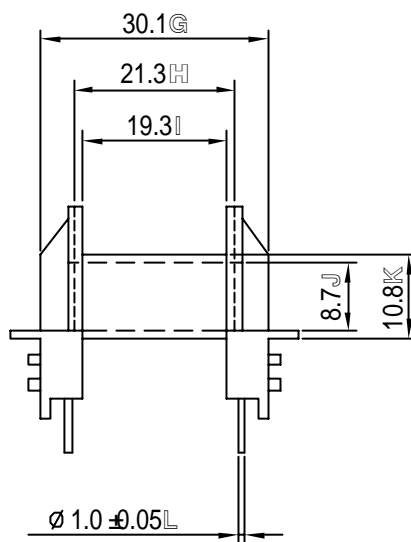
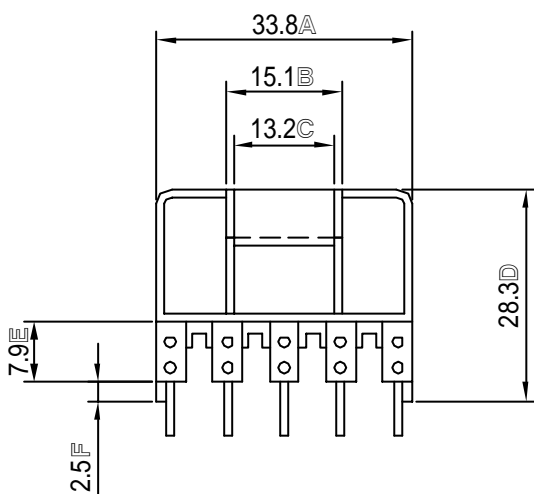
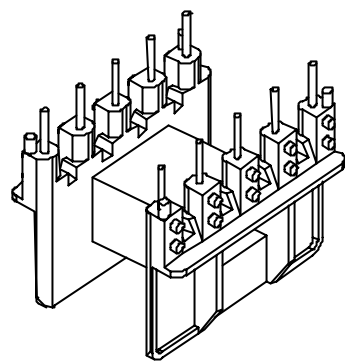
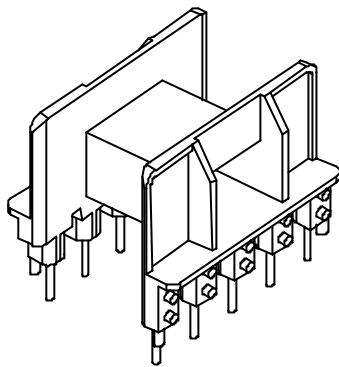
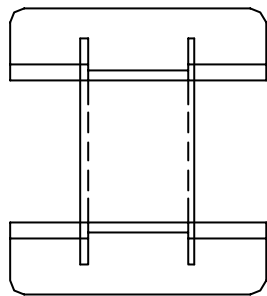
SCALE

2/1

UNIT

MM

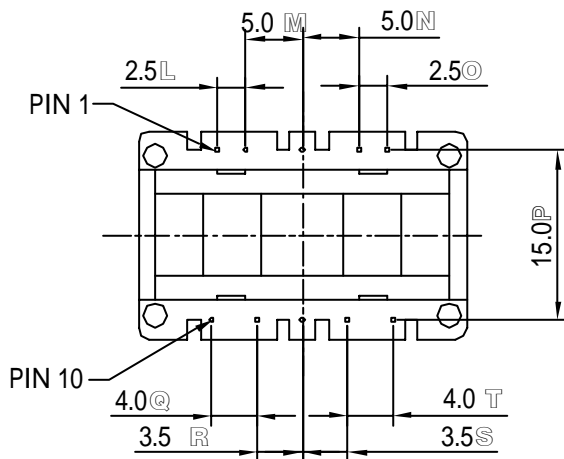
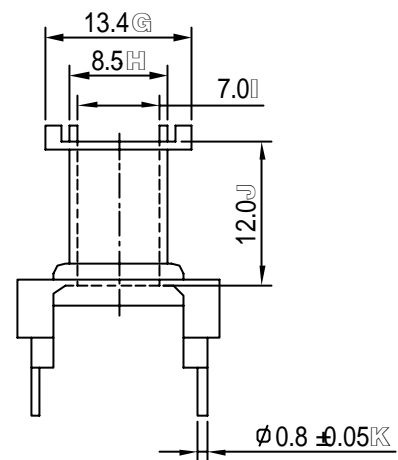
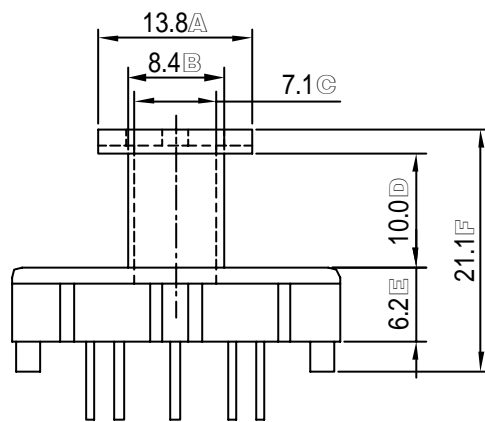
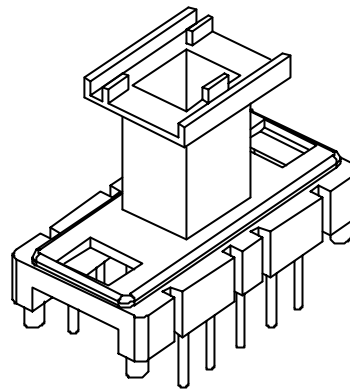
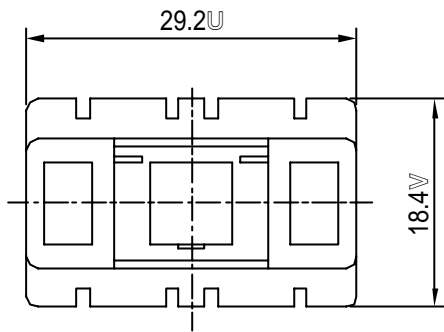
-D1-E25-P10 -



REVISIONS				
ISSUE	SYM	DATE	DRAFTER	CHECKER
NOTE:				

 <b>樹林企業股份有限公司</b> TAIWAN SHULIN ENTERPRISE CO., LTD	MODEL		TF-2514	
	MATERIAL		PBT	
WEB:www.bobbin.com.tw	UL RATING	UL94V-0	TOLERANCE .X ±0.2 .XX ±0.15 PIN PITCH ±0.1	
e-mail:shulin@bobbin.com.tw	PIN MATERIAL	CP WIRE		
(TAIWAN TAIPEI) TEL:(886)2-2223-1500 FAX:(886)2-2222-4646	EDITION	2.0		
(CHINA DONGGUAN) TEL:(86)769-7730-785 FAX:(86)769-7312-387	DATE	2002/8/15		
(CHINA SUZHOU) TEL:(86)512-6621-0580 FAX:(86)512-6621-0685	SCALE	1/1	UNIT	MM

-D17-UU25-P01-



REVISIONS				
ISSUE	SYM	DATE	DRAFTER	CHECKER
NOTE:				



**樹林企業股份有限公司**  
TAIWAN SHULIN ENTERPRISE CO., LTD

WEB: www.bobbin.com.tw

e-mail: shulin@bobbin.com.tw

(TAIWAN TAIPEI) TEL: (886)2-2223-1500 FAX: (886)2-2222-4646

(CHINA DONGGUAN) TEL: (86)769-7730-785 FAX: (86)769-7312-387

(CHINA SUZHOU) TEL: (86)512-6621-0580 FAX: (86)512-6621-0685

MODEL

TF-2516

MATERIAL

PBT

UL RATING

UL94V-0

PIN MATERIAL

CP WIRE

EDITION

2.0

DATE

2002/8/15

SCALE

1.5/1

TOLERANCE

.X  $\pm 0.2$

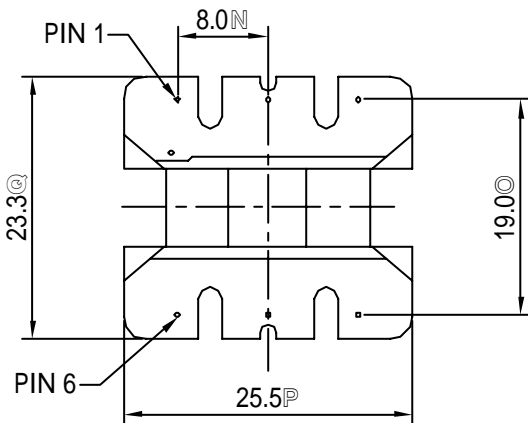
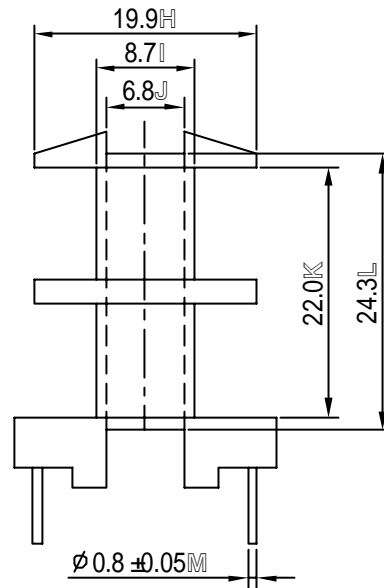
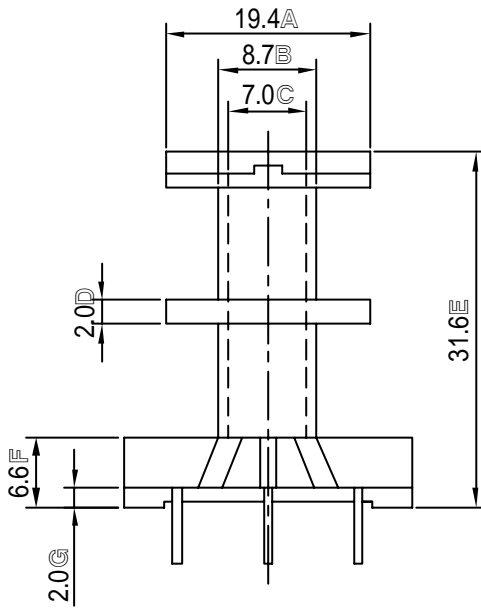
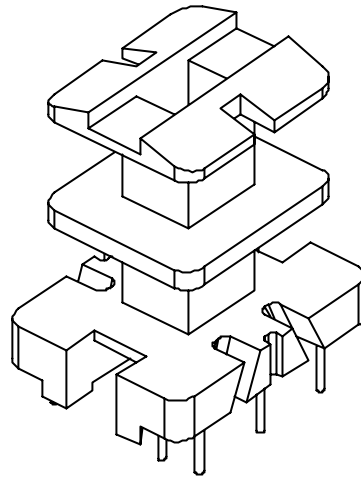
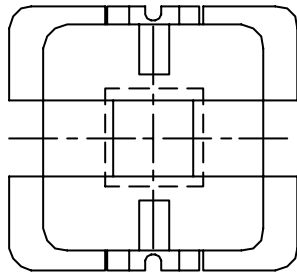
.XX  $\pm 0.15$

PIN PITCH  $\pm 0.1$

UNIT

MM

-D1-E25-P11 -



REVISIONS				
ISSUE	SYM	DATE	DRAFTER	CHECKER

NOTE:



樹林企業股份有限公司

TAIWAN SHULIN ENTERPRISE CO., LTD

WEB: www.bobbin.com.tw

e-mail: shulin@bobbin.com.tw

(TAIWAN TAIPEI) TEL: (886)2-2223-1500 FAX: (886)2-2222-4646

(CHINA DONGGUAN) TEL: (86)769-7730-785 FAX: (86)769-7312-387

(CHINA SUZHOU) TEL: (86)512-6621-0580 FAX: (86)512-6621-0685

MODEL

TF-2517

MATERIAL

PHENOLIC

UL RATING

UL94V-0

TOLERANCE

PIN MATERIAL

CP WIRE

.X  $\pm 0.2$

.XX  $\pm 0.15$

EDITION

2.0

DATE

2002/8/15

PIN PITCH  $\pm 0.1$

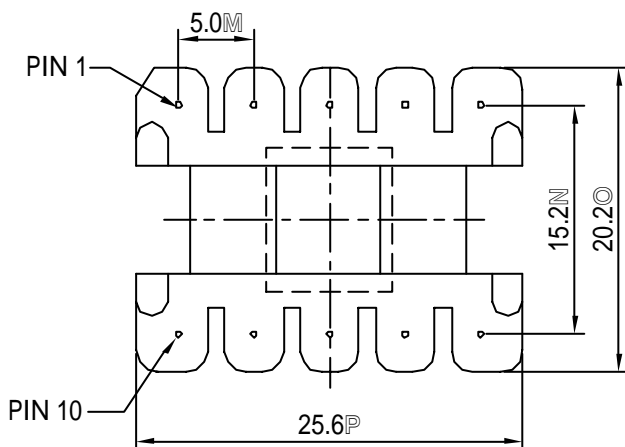
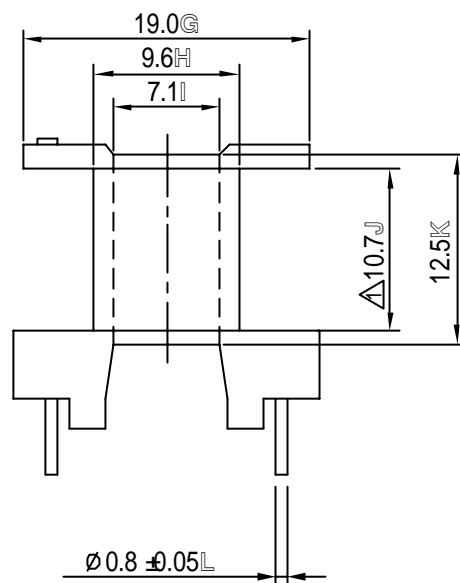
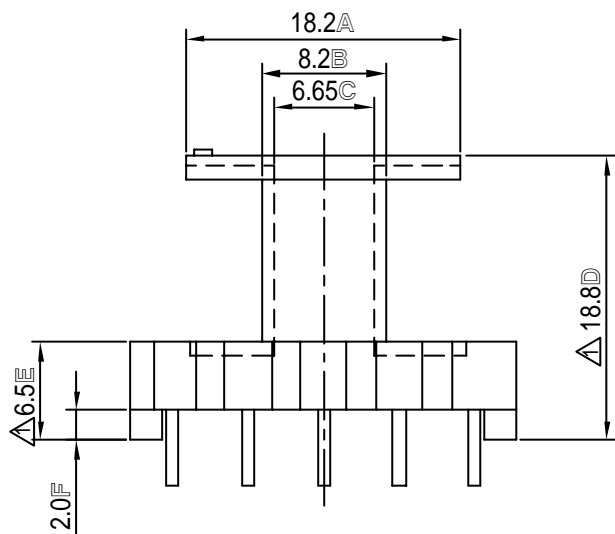
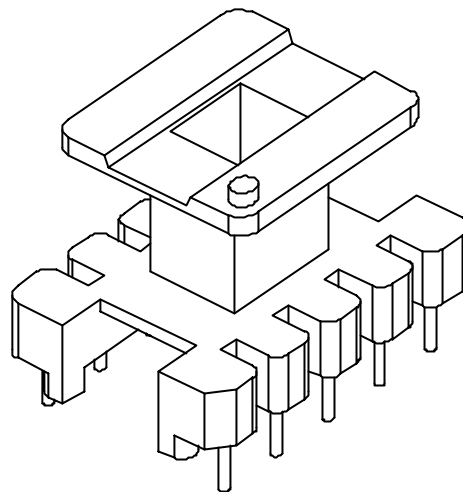
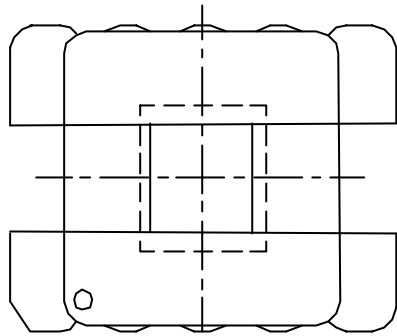
SCALE

1.5/1

UNIT

MM

-D1-E25-P12 -



REVISIONS				
ISSUE	SYM	DATE	DRAFTER	CHECKER
1.	△	2003/5/28	LI HUAHONG	C.H.WANG

NOTE:



樹林企業股份有限公司

TAIWAN SHULIN ENTERPRISE CO., LTD

WEB:www.bobbin.com.tw

e-mail:shulin@bobbin.com.tw

(TAIWAN TAIPEI) TEL:(886)2-2223-1500 FAX:(886)2-2222-4646

(CHINA DONGGUAN) TEL:(86)769-7730-785 FAX:(86)769-7312-387

(CHINA SUZHOU) TEL:(86)512-6621-0580 FAX:(86)512-6621-0685

MODEL

TF-2519

MATERIAL

PHENOLIC

UL RATING

UL94V-0

PIN MATERIAL

CP WIRE

EDITION

2.0A

DATE

2005/5/28

SCALE

2/1

TOLERANCE

.X ±0.2

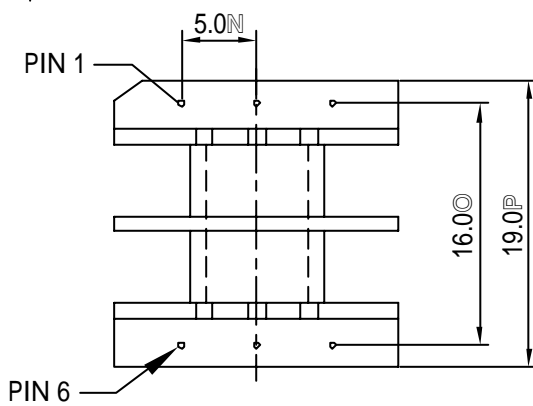
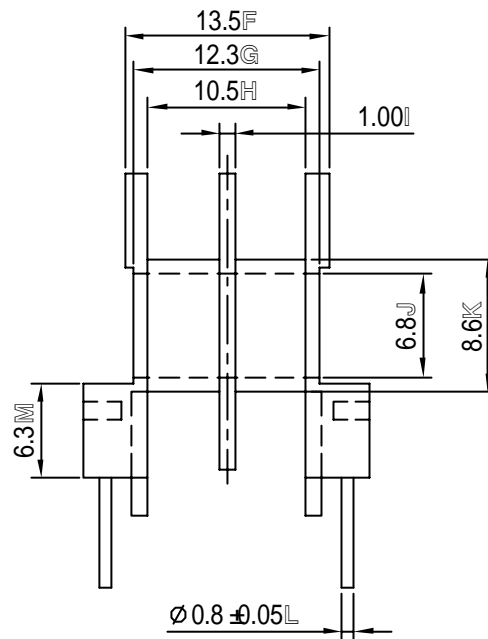
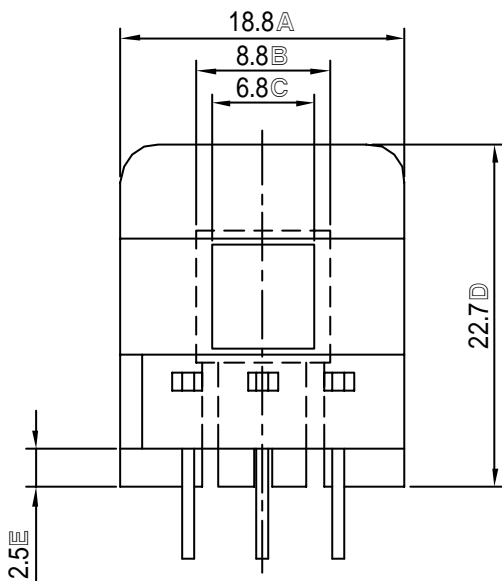
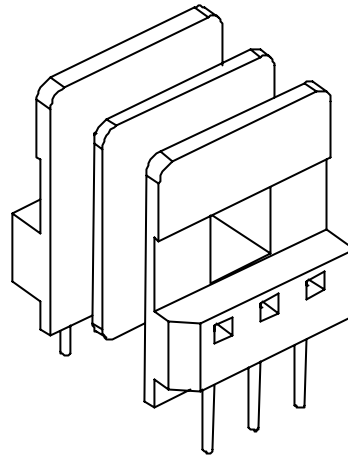
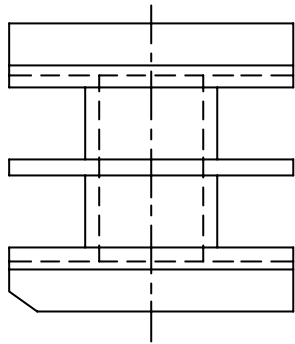
.XX ±0.15

PIN PITCH ±0.1

UNIT

MM

-D1-E25-P13 -



REVISIONS				
ISSUE	SYM	DATE	DRAFTER	CHECKER

NOTE:



樹林企業股份有限公司

TAIWAN SHULIN ENTERPRISE CO., LTD

WEB: www.bobbin.com.tw

e-mail: shulin@bobbin.com.tw

(TAIWAN TAIPEI) TEL: (886)2-2223-1500 FAX: (886)2-2222-4646

(CHINA DONGGUAN) TEL: (86)769-7730-785 FAX: (86)769-7312-387

(CHINA SUZHOU) TEL: (86)512-6621-0580 FAX: (86)512-6621-0685

MODEL

TF-2520

MATERIAL

PBT

UL RATING

UL94V-0

TOLERANCE

PIN MATERIAL

CP WIRE

.X  $\pm 0.2$

.XX  $\pm 0.15$

EDITION

2.0A

PIN PITCH  $\pm 0.1$

DATE

2003/10/31

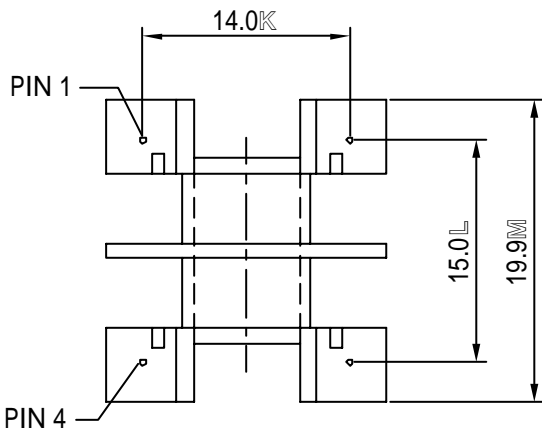
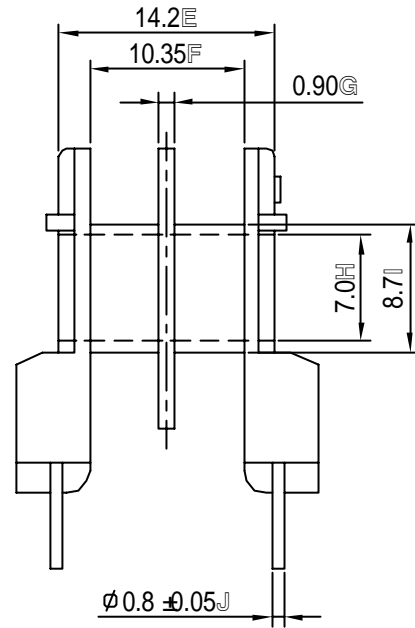
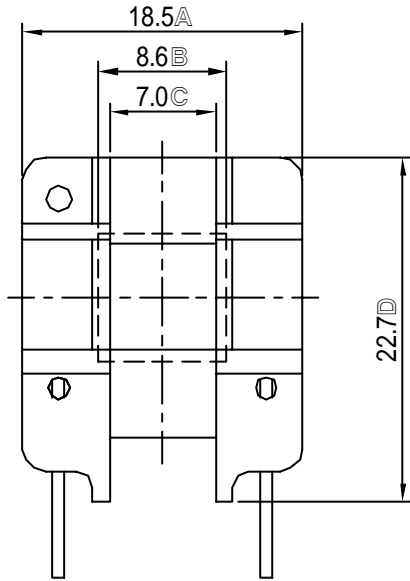
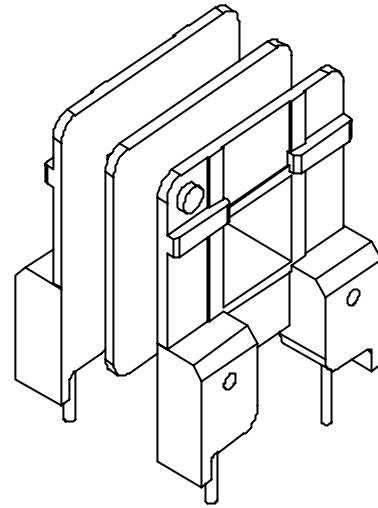
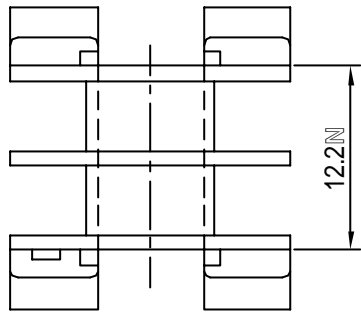
SCALE

2/1

UNIT

MM

-D1-E25-P14-



REVISIONS				
ISSUE	SYM	DATE	DRAFTER	CHECKER

NOTE:



樹林企業股份有限公司

TAIWAN SHULIN ENTERPRISE CO., LTD

WEB: www.bobbin.com.tw

e-mail: shulin@bobbin.com.tw

(TAIWAN TAIPEI) TEL: (886)2-2223-1500 FAX: (886)2-2222-4646

(CHINA DONGGUAN) TEL: (86)769-7730-785 FAX: (86)769-7312-387

(CHINA SUZHOU) TEL: (86)512-6621-0580 FAX: (86)512-6621-0685

MODEL

TF-2522

MATERIAL

PBT

UL RATING

UL94V-0

TOLERANCE

PIN MATERIAL

CP WIRE

.X  $\pm 0.2$

.XX  $\pm 0.15$

EDITION

2.0

PIN PITCH  $\pm 0.1$

DATE

2002/8/15

SCALE

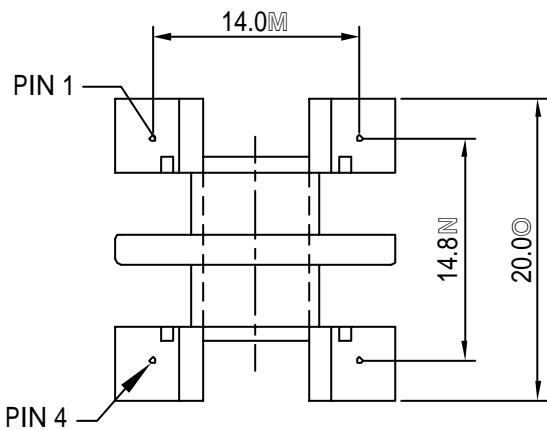
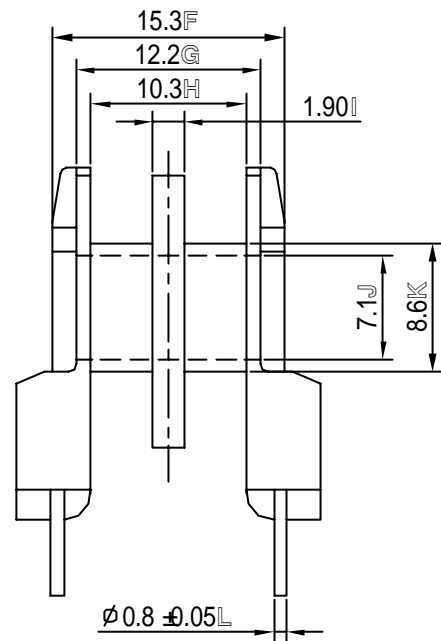
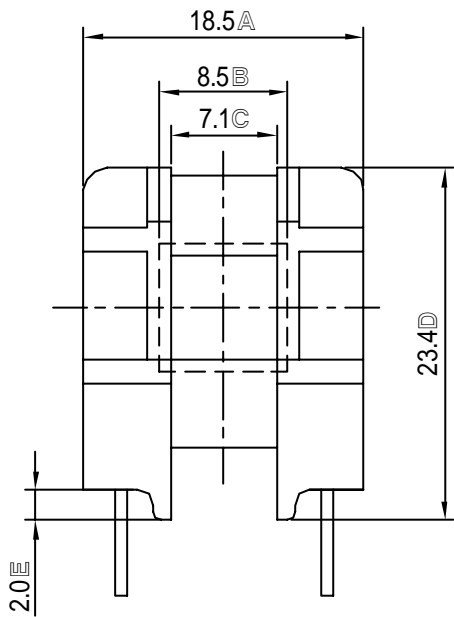
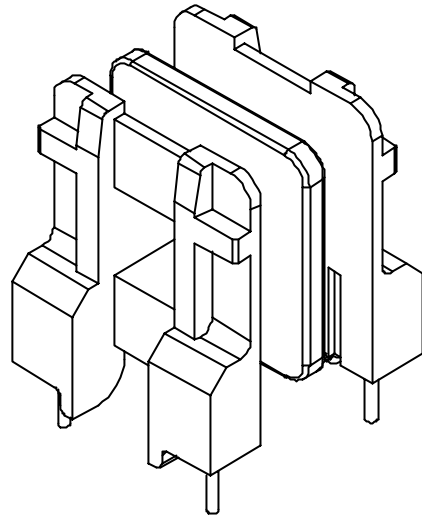
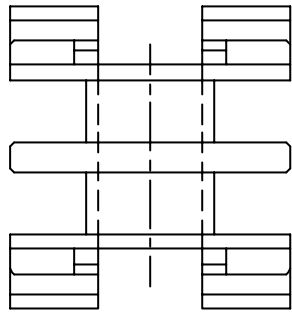
2/1

UNIT

MM

-D1-E25-P15-





REVISIONS				
ISSUE	SYM	DATE	DRAFTER	CHECKER

NOTE:



樹林企業股份有限公司

TAIWAN SHULIN ENTERPRISE CO., LTD

WEB:www.bobbin.com.tw

e-mail:shulin@bobbin.com.tw

(TAIWAN TAIPEI) TEL:(886)2-2223-1500 FAX:(886)2-2222-4646

(CHINA DONGGUAN) TEL:(86)769-7730-785 FAX:(86)769-7312-387

(CHINA SUZHOU) TEL:(86)512-6621-0580 FAX:(86)512-6621-0685

MODEL

TF-2522-1

MATERIAL

PHENOLIC

UL RATING

UL94V-0

PIN MATERIAL

CP WIRE

EDITION

2.0A

DATE

2003/10/31

SCALE

2/1

TOLERANCE

.X  $\pm 0.2$

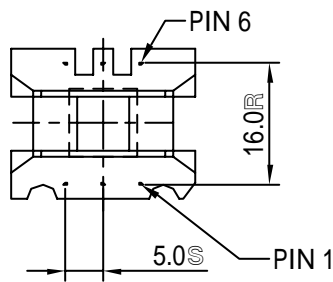
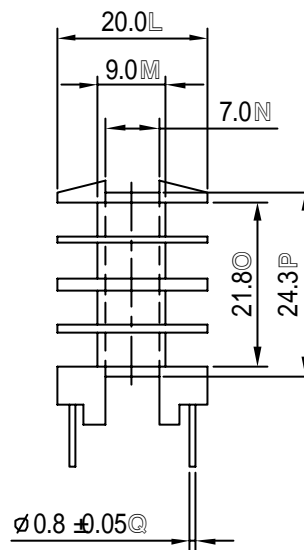
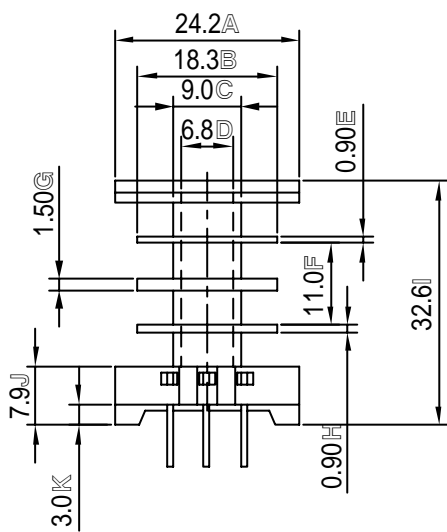
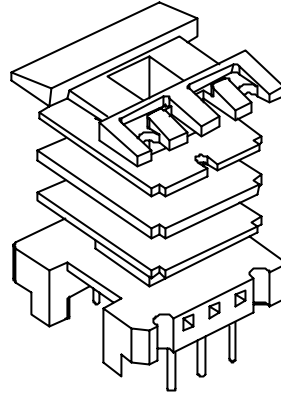
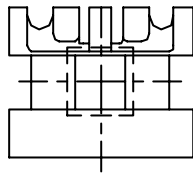
.XX  $\pm 0.15$

PIN PITCH  $\pm 0.1$

UNIT

MM

-D1-E25-P16-

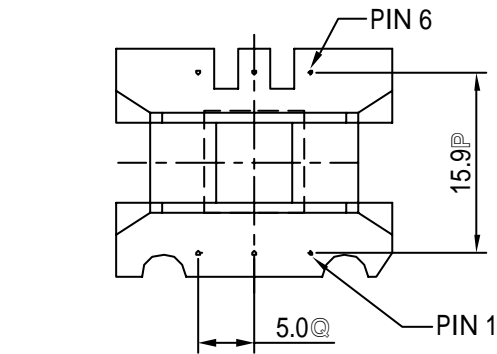
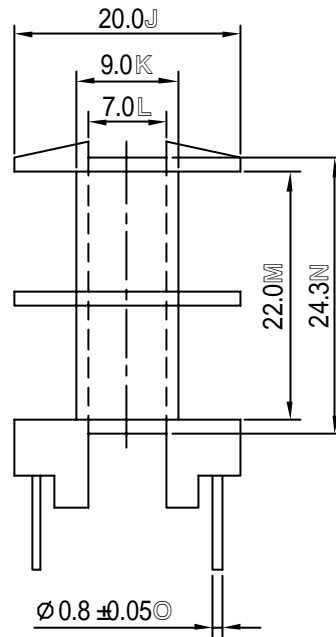
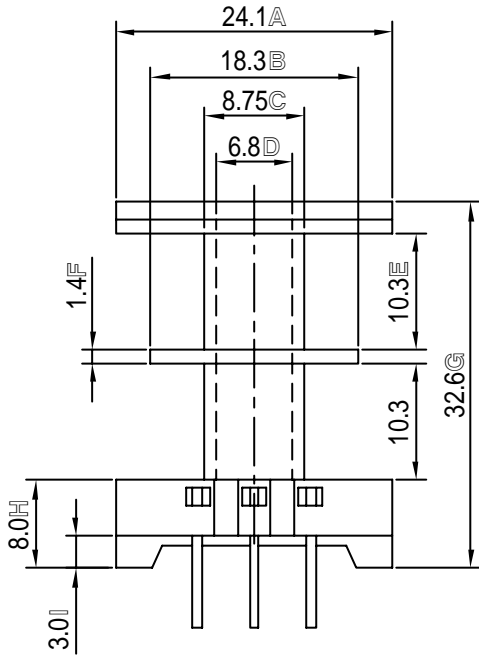
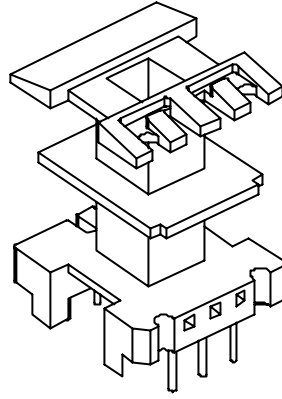
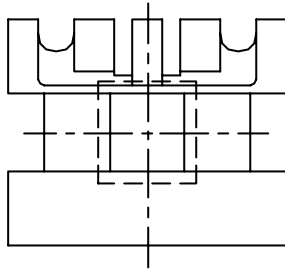


REVISIONS				
ISSUE	SYM	DATE	DRAFTER	CHECKER

NOTE:

 <b>樹林企業股份有限公司</b> TAIWAN SHULIN ENTERPRISE CO., LTD	MODEL		TF-2523	
	MATERIAL		PET	
WEB:www.bobbin.com.tw	UL RATING	UL94V-0	TOLERANCE  .X $\pm 0.2$ .XX $\pm 0.15$ PIN PITCH $\pm 0.1$	
e-mail:shulin@bobbin.com.tw	PIN MATERIAL	CP WIRE		
(TAIWAN TAIPEI) TEL:(886)2-2223-1500 FAX:(886)2-2222-4646	EDITION	2.0		
(CHINA DONGGUAN) TEL:(86)769-7730-785 FAX:(86)769-7312-387	DATE	2002/8/15		
(CHINA SUZHOU) TEL:(86)512-6621-0580 FAX:(86)512-6621-0685	SCALE	2/1	UNIT	MM

-D1-E25-P17 -



REVISIONS				
ISSUE	SYM	DATE	DRAFTER	CHECKER

NOTE:



**樹林企業股份有限公司**  
TAIWAN SHULIN ENTERPRISE CO., LTD

WEB: www.bobbin.com.tw

e-mail: shulin@bobbin.com.tw

(TAIWAN TAIPEI) TEL: (886)2-2223-1500 FAX: (886)2-2222-4646

(CHINA DONGGUAN) TEL: (86)769-7730-785 FAX: (86)769-7312-387

(CHINA SUZHOU) TEL: (86)512-6621-0580 FAX: (86)512-6621-0685

MODEL

TF-2524

MATERIAL

PET

UL RATING

UL94V-0

TOLERANCE

PIN MATERIAL

CP WIRE

.X  $\pm 0.2$

.XX  $\pm 0.15$

EDITION

2.0

PIN PITCH  $\pm 0.1$

DATE

2002/8/15

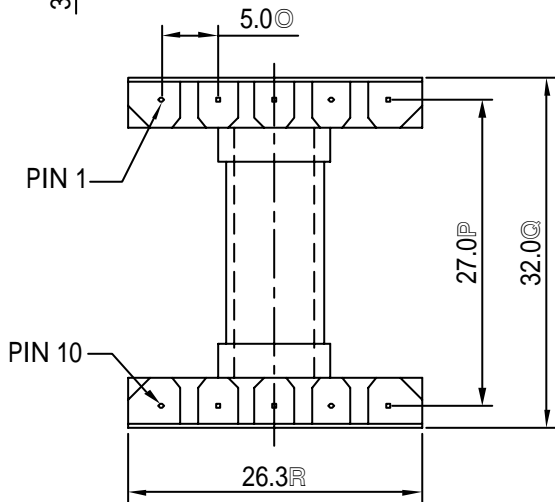
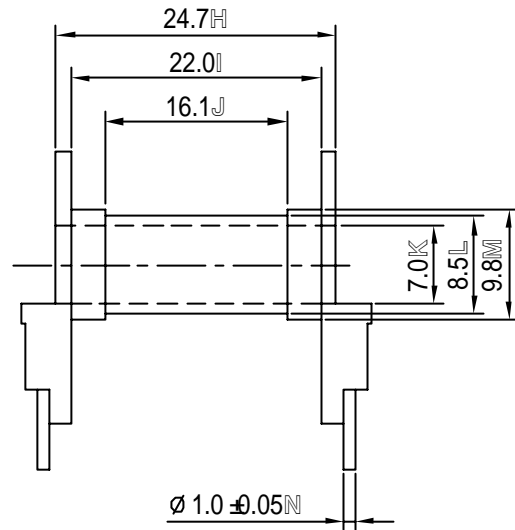
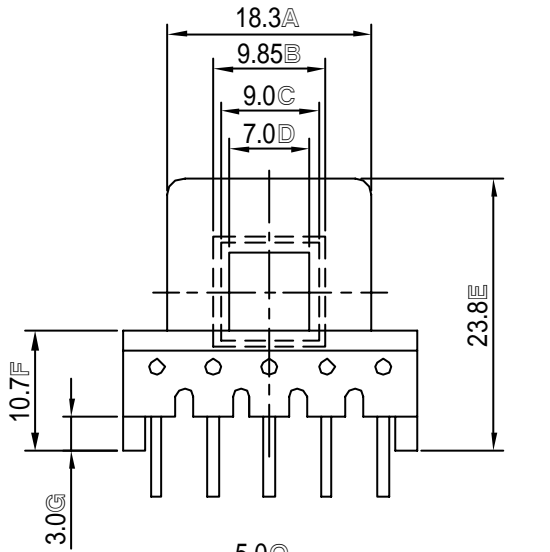
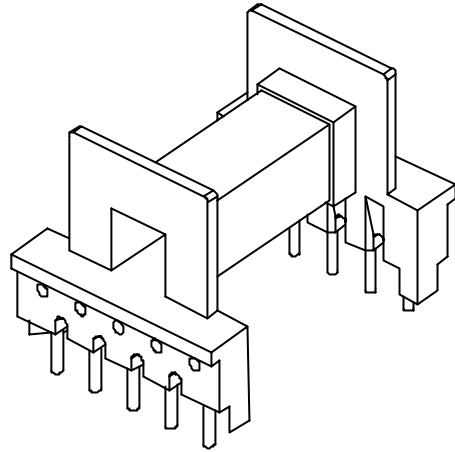
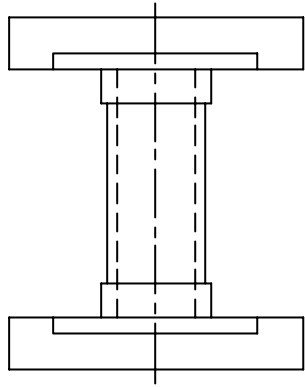
SCALE

1.5/1

UNIT

MM

-D1-E25-P18 -



REVISIONS				
ISSUE	SYM	DATE	DRAFTER	CHECKER

NOTE:



樹林企業股份有限公司

TAIWAN SHULIN ENTERPRISE CO., LTD

WEB: www.bobbin.com.tw

e-mail: shulin@bobbin.com.tw

(TAIWAN TAIPEI) TEL: (886)2-2223-1500 FAX: (886)2-2222-4646

(CHINA DONGGUAN) TEL: (86)769-7730-785 FAX: (86)769-7312-387

(CHINA SUZHOU) TEL: (86)512-6621-0580 FAX: (86)512-6621-0685

MODEL

TF-2526

MATERIAL

PBT

UL RATING

UL94V-0

PIN MATERIAL

CP WIRE

EDITION

2.0

DATE

2002/8/15

SCALE

1.5/1

TOLERANCE

.X  $\pm 0.2$

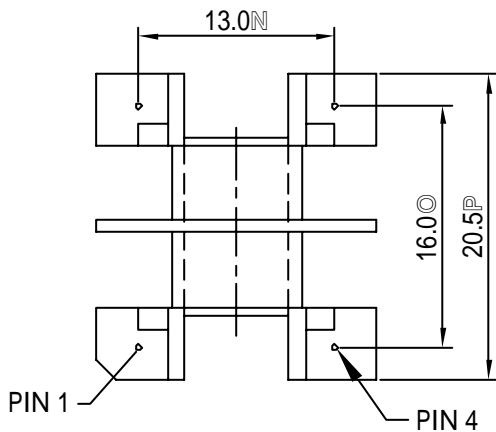
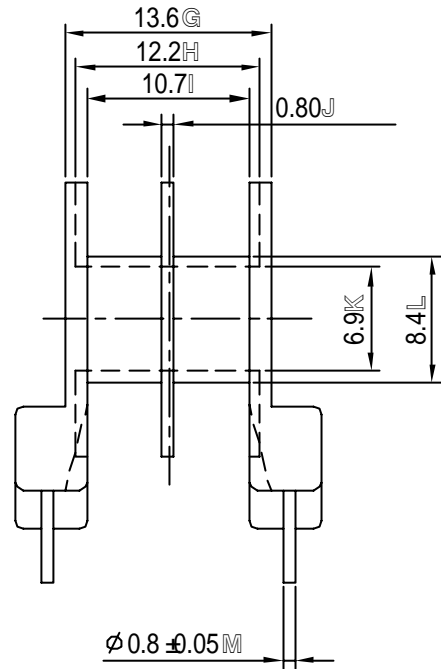
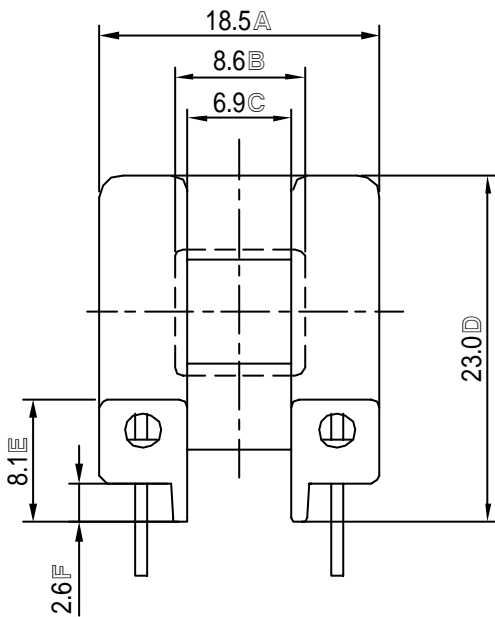
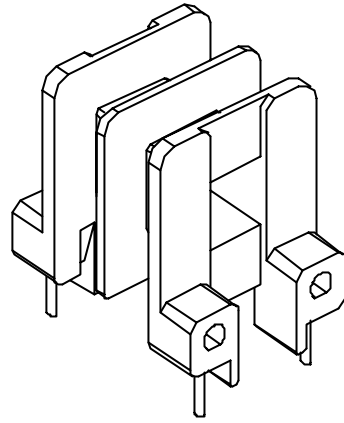
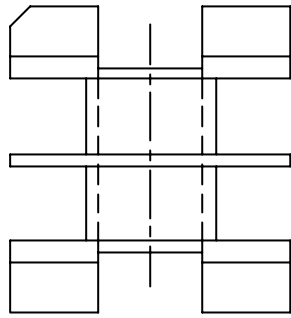
.XX  $\pm 0.15$

PIN PITCH  $\pm 0.1$

UNIT

MM

-D1-E25-P19 -



REVISIONS				
ISSUE	SYM	DATE	DRAFTER	CHECKER
NOTE:				



**樹林企業股份有限公司**  
TAIWAN SHULIN ENTERPRISE CO., LTD

MODEL

TF-2527

MATERIAL

PBT

WEB: www.bobbin.com.tw

UL RATING

UL94V-0

TOLERANCE

e-mail: shulin@bobbin.com.tw

PIN MATERIAL

CP WIRE

.X  $\pm 0.2$

(TAIWAN TAIPEI) TEL: (886)2-2223-1500 FAX: (886)2-2222-4646

EDITION

2.0A

.XX  $\pm 0.15$

(CHINA DONGGUAN) TEL: (86)769-7730-785 FAX: (86)769-7312-387

DATE

2003/10/31

PIN PITCH  $\pm 0.1$

(CHINA SUZHOU) TEL: (86)512-6621-0580 FAX: (86)512-6621-0685

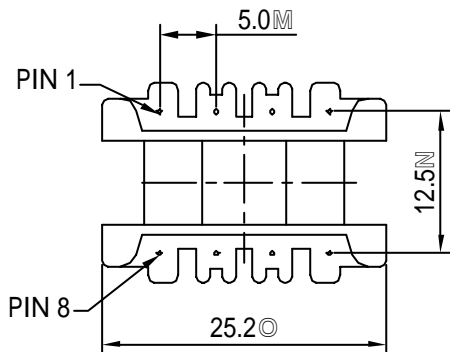
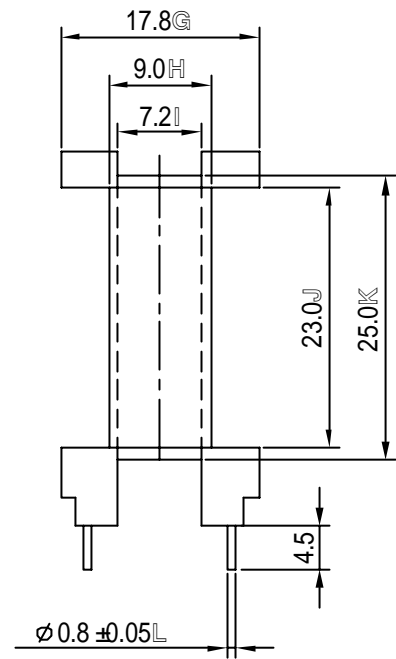
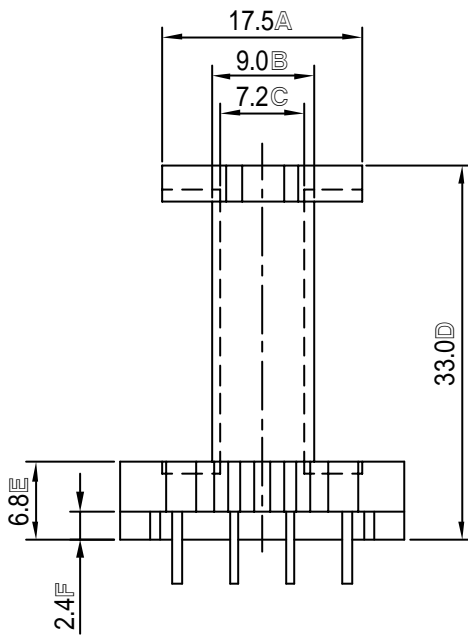
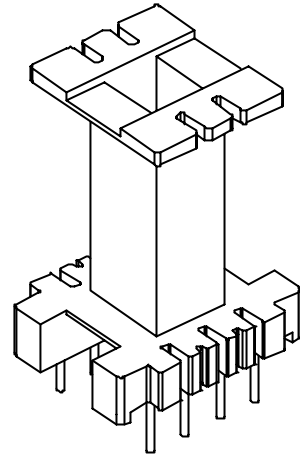
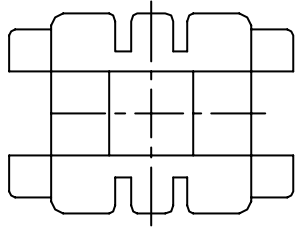
SCALE

2/1

UNIT

MM

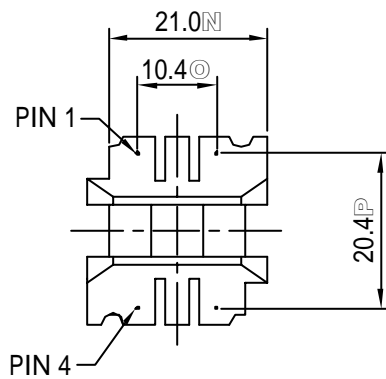
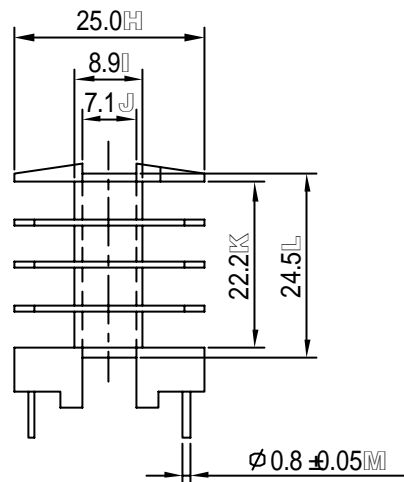
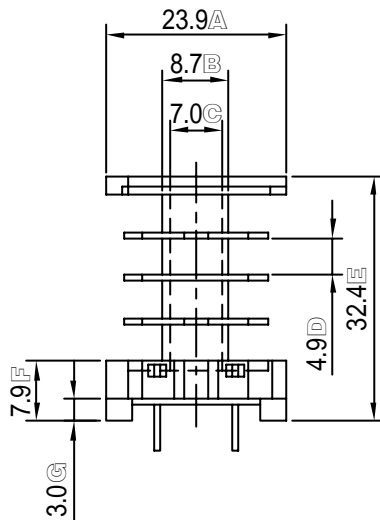
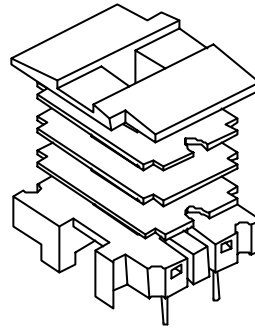
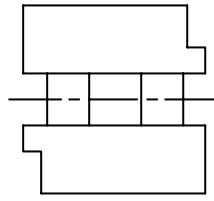
-D1-E25-P20-



REVISIONS				
ISSUE	SYM	DATE	DRAFTER	CHECKER
NOTE:				

 <b>樹林企業股份有限公司</b> TAIWAN SHULIN ENTERPRISE CO., LTD	MODEL		TF-2528	
	MATERIAL		PHENOLIC	
WEB:www.bobbin.com.tw	UL RATING	UL94V-0	TOLERANCE  .X $\pm 0.2$ .XX $\pm 0.15$ PIN PITCH $\pm 0.1$	
e-mail:shulin@bobbin.com.tw	PIN MATERIAL	CP WIRE		
(TAIWAN TAIPEI) TEL:(886)2-2223-1500 FAX:(886)2-2222-4646	EDITION	2.0		
(CHINA DONGGUAN) TEL:(86)769-7730-785 FAX:(86)769-7312-387	DATE	2002/8/15		
(CHINA SUZHOU) TEL:(86)512-6621-0580 FAX:(86)512-6621-0685	SCALE	1.5/1	UNIT	MM

-D1-E25-P21 -



REVISIONS				
ISSUE	SYM	DATE	DRAFTER	CHECKER
NOTE:				



樹林企業股份有限公司

TAIWAN SHULIN ENTERPRISE CO., LTD

WEB:www.bobbin.com.tw

e-mail:shulin@bobbin.com.tw

(TAIWAN TAIPEI) TEL: (886)2-2223-1500 FAX: (886)2-2222-4646

(CHINA DONGGUAN) TEL: (86)769-7730-785 FAX: (86)769-7312-387

(CHINA SUZHOU) TEL: (86)512-6621-0580 FAX: (86)512-6621-0685

MODEL

TF-2529

MATERIAL

PET

UL RATING

UL94V-0

PIN MATERIAL

CP WIRE

EDITION

2.0

DATE

2002/8/15

SCALE

1/1

TOLERANCE

.X  $\pm 0.2$

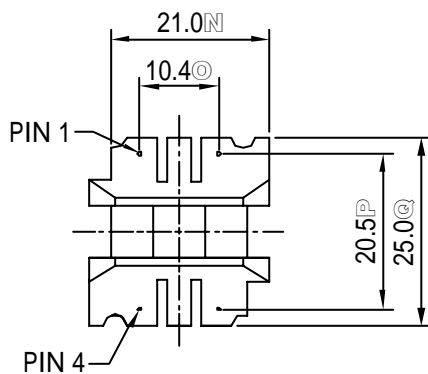
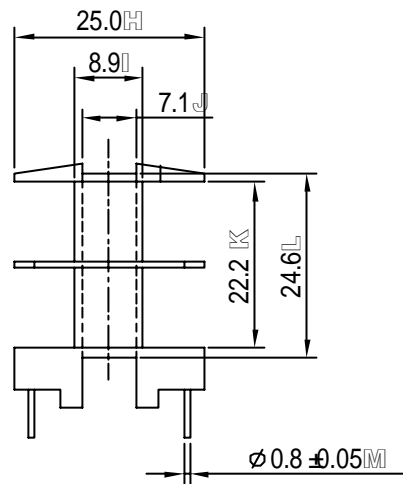
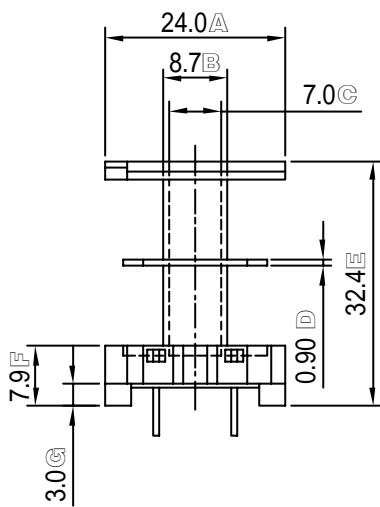
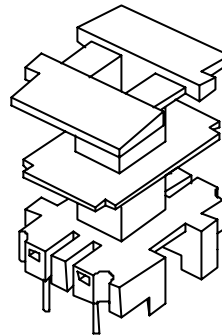
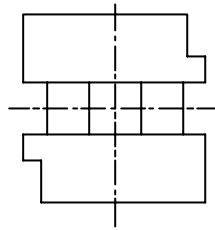
.XX  $\pm 0.15$

PIN PITCH  $\pm 0.1$

UNIT

MM

- D1-E25-P22 -



REVISIONS				
ISSUE	SYM	DATE	DRAFTER	CHECKER

NOTE:



樹林企業股份有限公司

TAIWAN SHULIN ENTERPRISE CO., LTD

WEB:www.bobbin.com.tw

e-mail:shulin@bobbin.com.tw

(TAIWAN TAIPEI) TEL:(886)2-2223-1500 FAX:(886)2-2222-4646

(CHINA DONGGUAN) TEL:(86)769-7730-785 FAX:(86)769-7312-387

(CHINA SUZHOU) TEL:(86)512-6621-0580 FAX:(86)512-6621-0685

MODEL

TF-2530

MATERIAL

PET

UL RATING

UL94V-0

PIN MATERIAL

CP WIRE

EDITION

2.0

DATE

2002/8/15

SCALE

1/1

TOLERANCE

.X  $\pm 0.2$

.XX  $\pm 0.15$

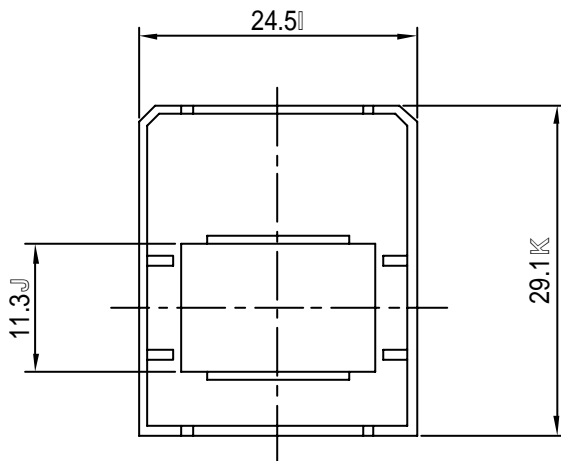
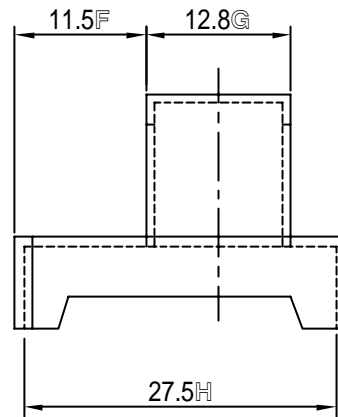
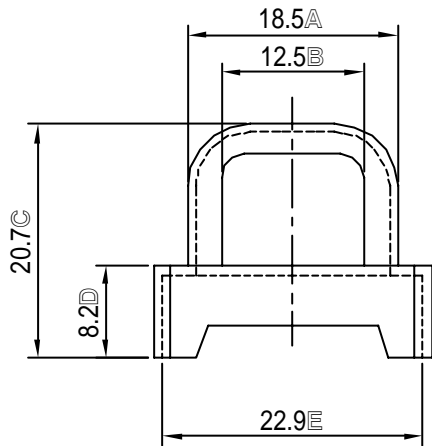
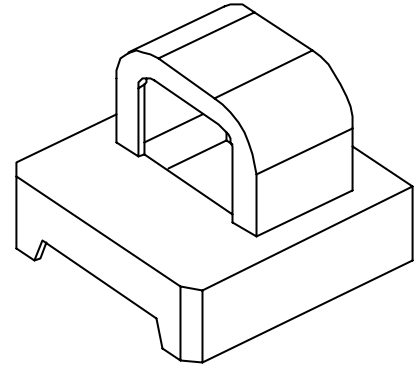
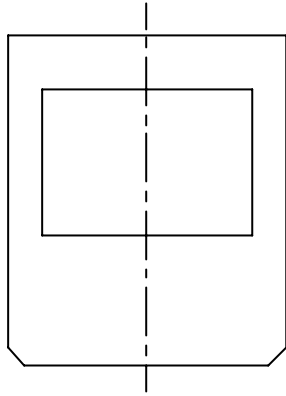
PIN PITCH  $\pm 0.1$

UNIT

MM

-D1-E25-P23 -



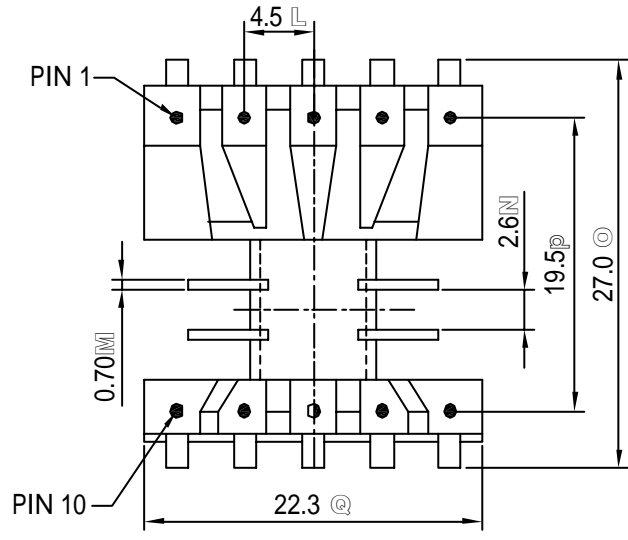
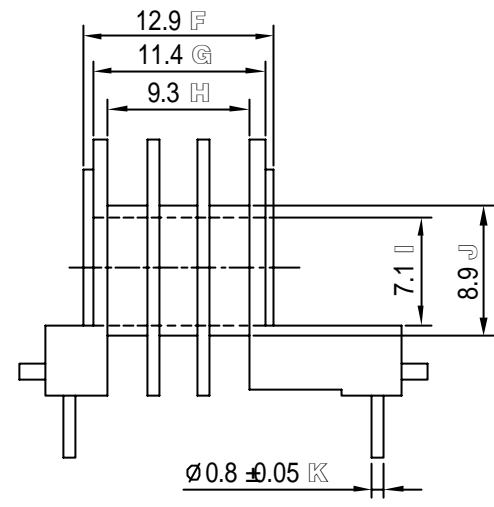
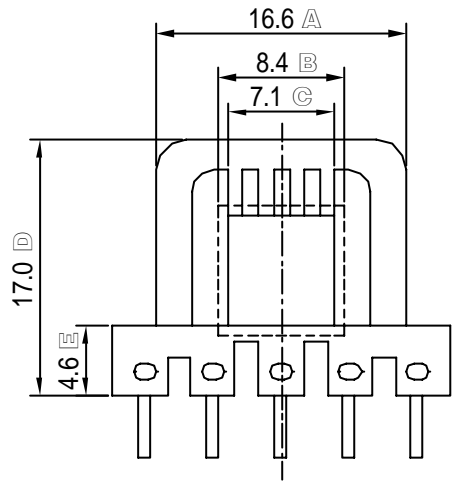
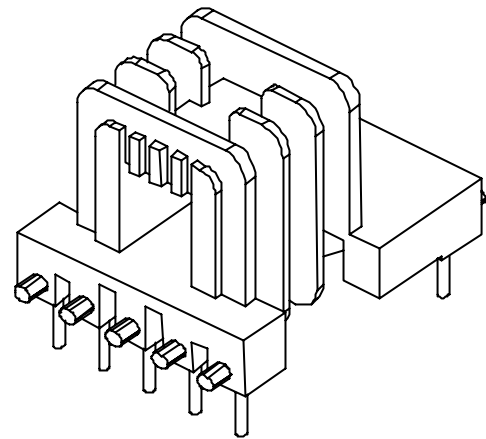
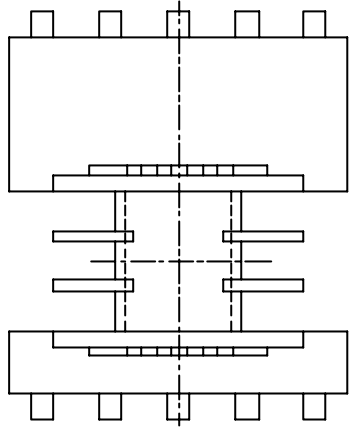


REVISIONS				
ISSUE	SYM	DATE	DRAFTER	CHECKER

NOTE:


 <b>樹林企業股份有限公司</b> TAIWAN SHULIN ENTERPRISE CO., LTD	MODEL	TF-2531COVER		
	MATERIAL	PET		
WEB:www.bobbin.com.tw	UL RATING	UL94V-0	TOLERANCE .X ±0.2 .XX ±0.15 PIN PITCH ±0.1	
e-mail:shulin@bobbin.com.tw	PIN MATERIAL	CP WIRE		
(TAIWAN TAIPEI) TEL:(886)2-2223-1500 FAX:(886)2-2222-4646	EDITION	2.0		
(CHINA DONGGUAN) TEL:(86)769-7730-785 FAX:(86)769-7312-387	DATE	2002/8/15		
(CHINA SUZHOU) TEL:(86)512-6621-0580 FAX:(86)512-6621-0685	SCALE	1.5/1	UNIT	MM

-D1-E25-P25 -

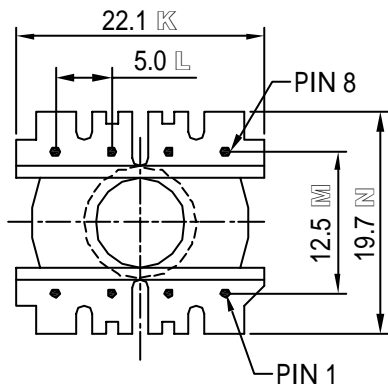
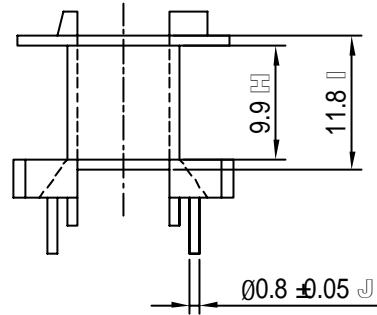
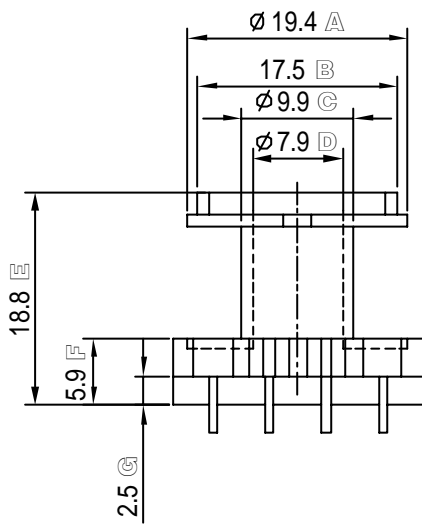
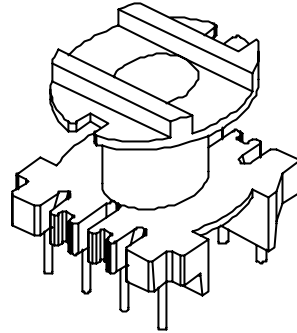
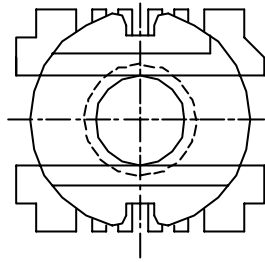


REVISIONS				
ISSUE	SYM	DATE	DRAFTER	CHECKER

NOTE:

 <b>樹林企業股份有限公司</b> TAIWAN SHULIN ENTERPRISE CO., LTD	MODEL		TF-2531	
	MATERIAL		PHENOLIC	
WEB:www.bobbin.com.tw	UL RATING	UL94V-0	TOLERANCE .X $\pm 0.2$ .XX $\pm 0.15$ PIN PITCH $\pm 0.1$	
e-mail:shulin@bobbin.com.tw	PIN MATERIAL	CP WIRE		
(TAIWAN TAIPEI) TEL:(886)2-2223-1500 FAX:(886)2-2222-4646	EDITION	2.0		
(CHINA DONGGUAN) TEL:(86)769-7730-785 FAX:(86)769-7312-387	DATE	2002/8/15		
(CHINA SUZHOU) TEL:(86)512-6621-0580 FAX:(86)512-6621-0685	SCALE	2/1	UNIT	MM

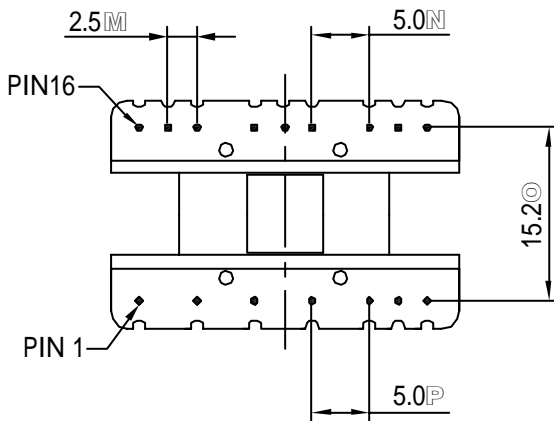
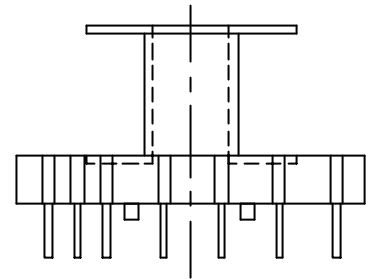
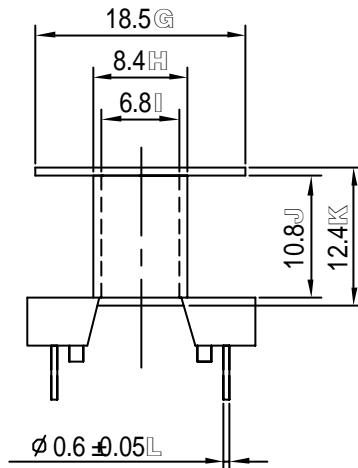
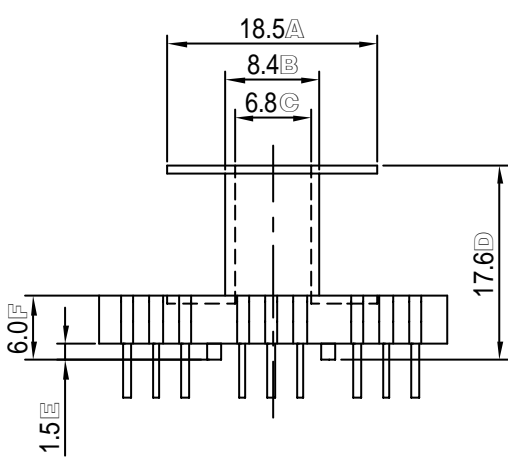
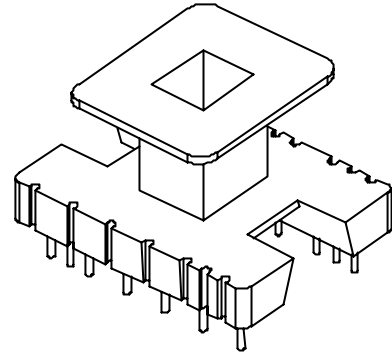
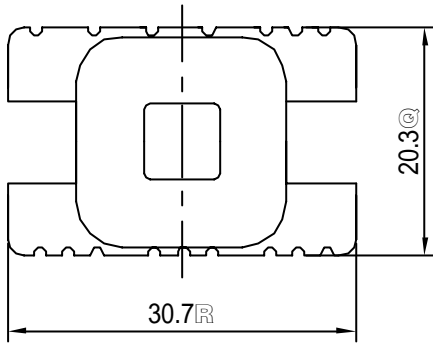
-D1-E25-P24 -



REVISIONS				
ISSUE	SYM	DATE	DRAFTER	CHECKER
NOTE:				

 <b>樹林企業股份有限公司</b> TAIWAN SHULIN ENTERPRISE CO., LTD	MODEL		TF-2532	
	MATERIAL		PHENOLIC	
WEB: www.bobbin.com.tw	UL RATING	UL94V-0	TOLERANCE .X ±0.2 .XX ±0.15 PIN PITCH ±0.1	
e-mail: shulin@bobbin.com.tw	PIN MATERIAL	CP WIRE		
(TAIWAN TAIPEI) TEL: (886)2-2223-1500 FAX: (886)2-2222-4646	EDITION	2.0		
(CHINA DONGGUAN) TEL: (86)769-7730-785 FAX: (86)769-7312-387	DATE	2002/8/15	UNIT	MM
(CHINA SUZHOU) TEL: (86)512-6621-0580 FAX: (86)512-6621-0685	SCALE	1.5/1		

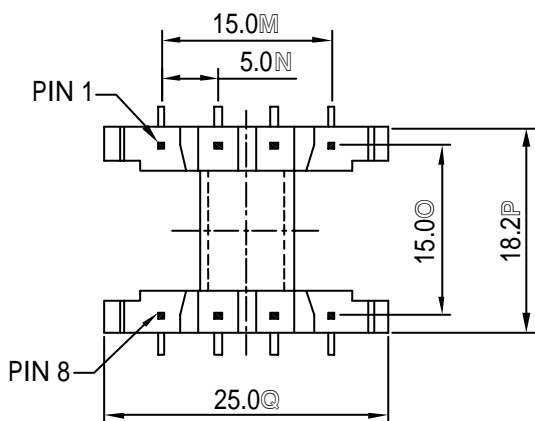
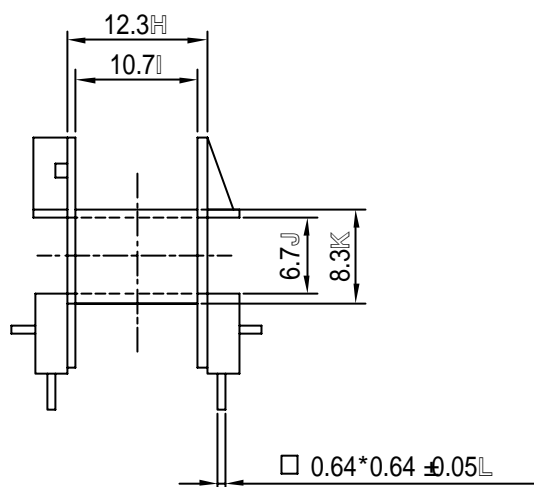
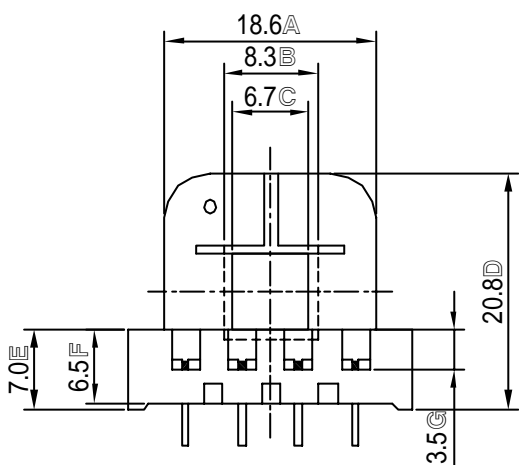
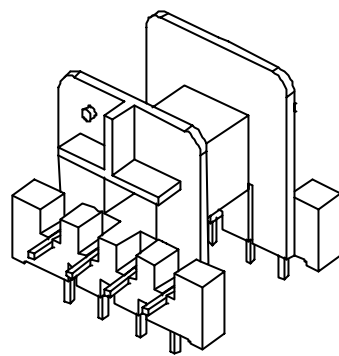
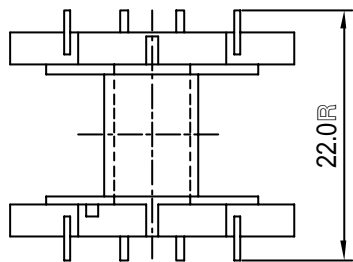
-D2-ER25-P01 -



REVISIONS				
ISSUE	SYM	DATE	DRAFTER	CHECKER
NOTE:				

 <b>樹林企業股份有限公司</b> TAIWAN SHULIN ENTERPRISE CO., LTD	MODEL		TF-2536	
	MATERIAL		PHENOLIC	
WEB:www.bobbin.com.tw	UL RATING	UL94V-0	TOLERANCE  .X $\pm 0.2$ .XX $\pm 0.15$ PIN PITCH $\pm 0.1$	
e-mail:shulin@bobbin.com.tw	PIN MATERIAL	CP WIRE		
(TAIWAN TAIPEI) TEL:(886)2-2223-1500 FAX:(886)2-2222-4646	EDITION	2.0		
(CHINA DONGGUAN) TEL:(86)769-7730-785 FAX:(86)769-7312-387	DATE	2002/8/15		
(CHINA SUZHOU) TEL:(86)512-6621-0580 FAX:(86)512-6621-0685	SCALE	1.5/1	UNIT	MM

-D1-E25-P26 -



REVISIONS				
ISSUE	SYM	DATE	DRAFTER	CHECKER

NOTE:

 樹林企業股份有限公司  
TAIWAN SHULIN ENTERPRISE CO., LTD

MODEL

TF-2537

MATERIAL

PET

WEB:www.bobbin.com.tw

UL RATING

UL94V-0

TOLERANCE

e-mail:shulin@bobbin.com.tw

PIN MATERIAL

PHOS.B

.X ±0.2

(TAIWAN TAIPEI) TEL:(886)2-2223-1500 FAX:(886)2-2222-4646

EDITION

2.0

.XX ±0.15

(CHINA DONGGUAN) TEL:(86)769-7730-785 FAX:(86)769-7312-387

DATE

2002/8/15

PIN PITCH ±0.1

(CHINA SUZHOU) TEL:(86)512-6621-0580 FAX:(86)512-6621-0685

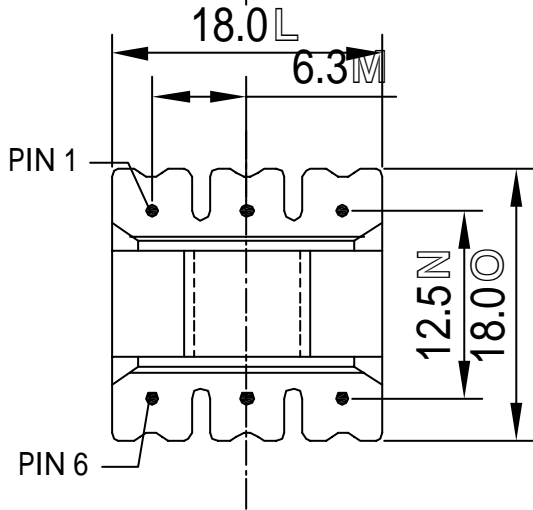
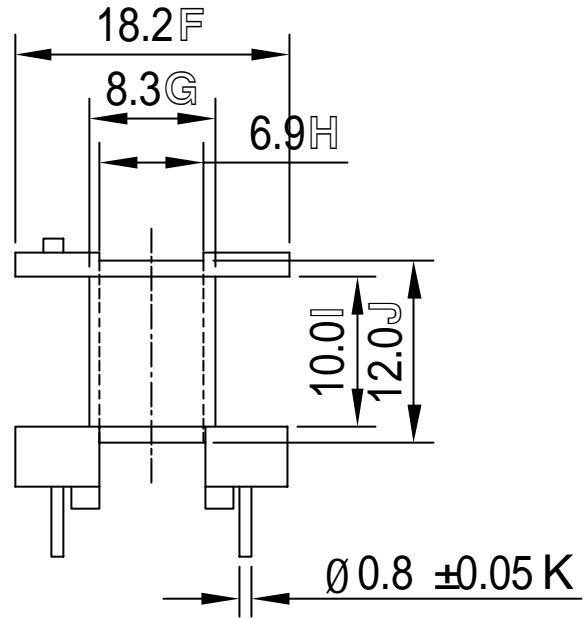
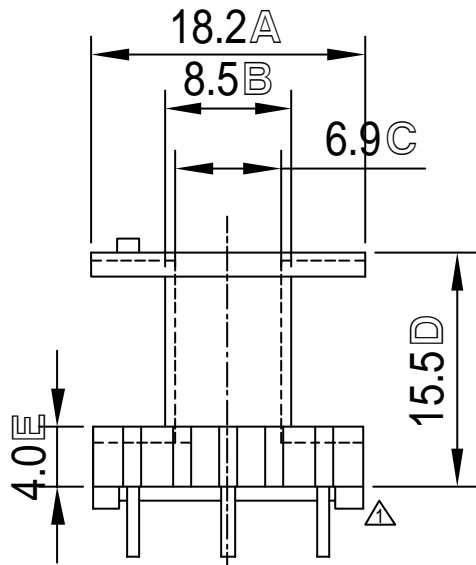
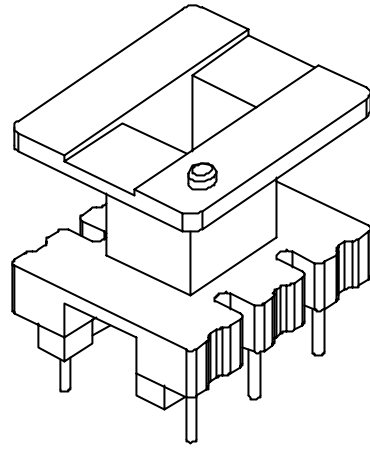
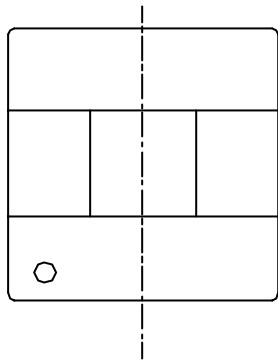
SCALE

1.5/1

UNIT

MM

-D1-E25-P27 -



REVISIONS				
ISSUE	SYM	DATE	DRAFTER	CHECKER
1.	△	2003/9/19	WENBIN	JACKIE

NOTE:



**樹林企業股份有限公司**  
TAIWAN SHULIN ENTERPRISE CO., LTD

MODEL

TF-2538

MATERIAL

PHENOLIC

WEB: [www.bobbin.com.tw](http://www.bobbin.com.tw)

UL RATING

UL94V-0

TOLERANCE

e-mail: [shulin@bobbin.com.tw](mailto:shulin@bobbin.com.tw)

PIN MATERIAL

CP WIRE

.X  $\pm 0.2$

(TAIWAN TAIPEI) TEL: (886)2-2223-1500 FAX: (886)2-2222-4646

EDITION

3.0

.XX  $\pm 0.15$

(CHINA DONGGUAN) TEL: (86)769-7730-785 FAX: (86)769-7312-387

DATE

2003/9/19

PIN PITCH  $\pm 0.1$

(CHINA SUZHOU) TEL: (86)512-6621-0580 FAX: (86)512-6621-0685

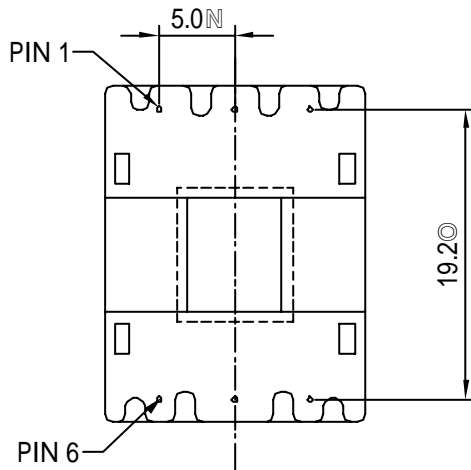
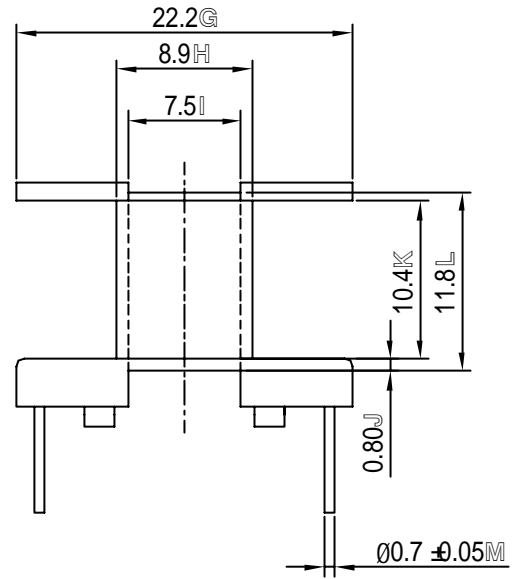
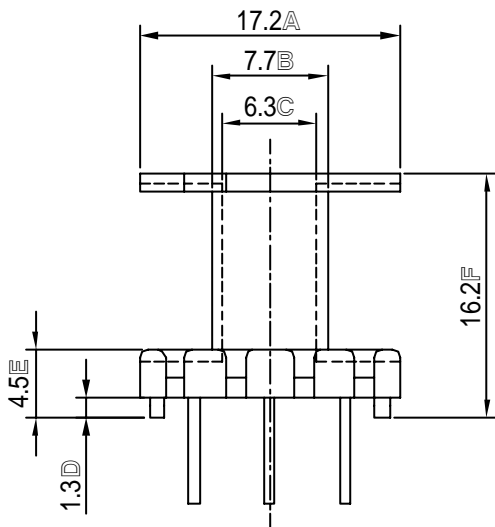
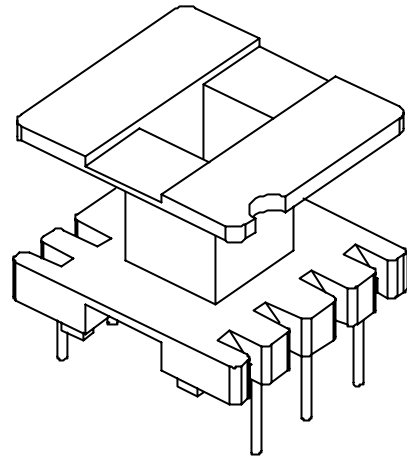
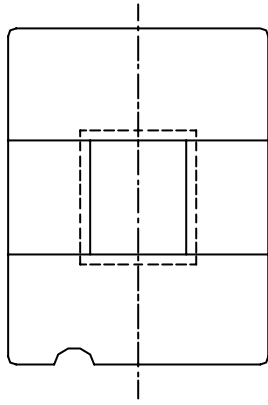
SCALE

2/1

UNIT

MM

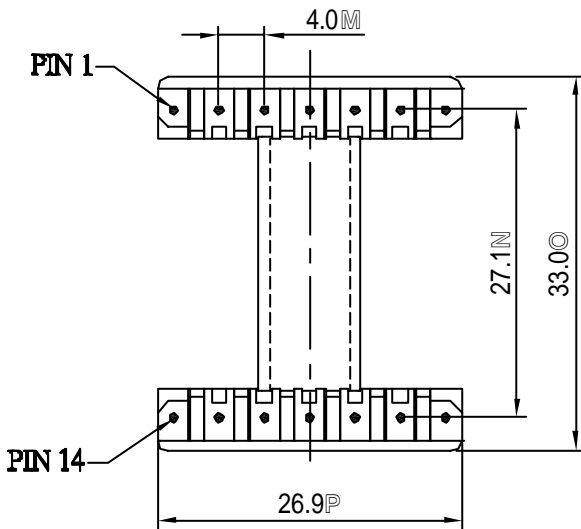
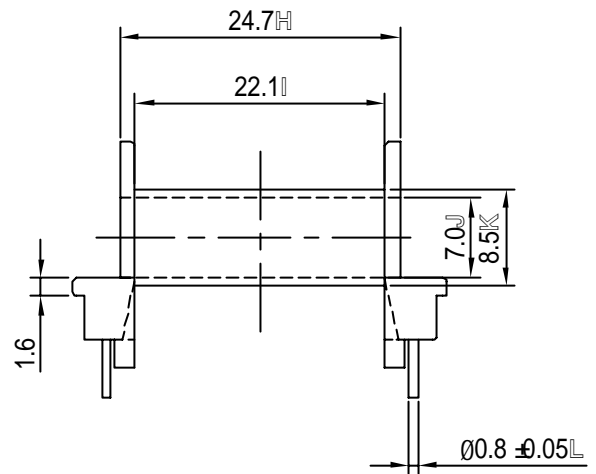
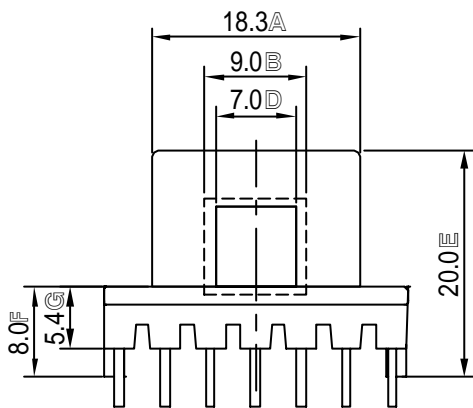
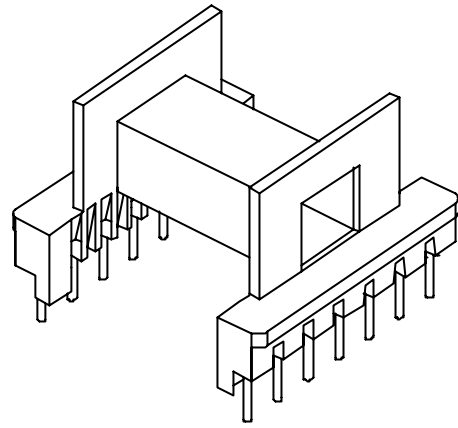
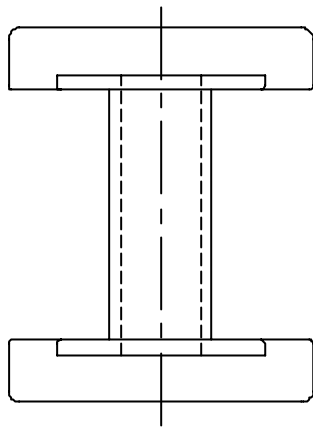
-D1-E25-P28 -



REVISIONS				
ISSUE	SYM	DATE	DRAFTER	CHECKER
NOTE:				

 <b>樹林企業股份有限公司</b> TAIWAN SHULIN ENTERPRISE CO., LTD	MODEL		TF-2541	
	MATERIAL		NYLON66	
WEB:www.bobbin.com.tw	UL RATING	UL94V-0	TOLERANCE  .X ±0.2 .XX ±0.15 PIN PITCH ±0.1	
e-mail:shulin@bobbin.com.tw	PIN MATERIAL	CP WIRE		
(TAIWAN TAIPEI) TEL:(886)2-2223-1500 FAX:(886)2-2222-4646	EDITION	2.0		
(CHINA DONGGUAN) TEL:(86)769-7730-785 FAX:(86)769-7312-387	DATE	2002/8/15		
(CHINA SUZHOU) TEL:(86)512-6621-0580 FAX:(86)512-6621-0685	SCALE	2/1	UNIT	MM

-D1-E25-P29 -



REVISIONS				
ISSUE	SYM	DATE	DRAFTER	CHECKER

NOTE:



樹林企業股份有限公司

TAIWAN SHULIN ENTERPRISE CO., LTD

WEB:www.bobbin.com.tw

e-mail:shulin@bobbin.com.tw

(TAIWAN TAIPEI) TEL:(886)2-2223-1500 FAX:(886)2-2222-4646

(CHINA DONGGUAN) TEL:(86)769-7730-785 FAX:(86)769-7312-387

(CHINA SUZHOU) TEL:(86)512-6621-0580 FAX:(86)512-6621-0685

MODEL

TF-2543

MATERIAL

PHENOLIC

UL RATING

UL94V-0

TOLERANCE

PIN MATERIAL

CP WIRE

.X ±0.1

.XX ±0.05

EDITION

1.0

DATE

2003/2/25

PIN PITCH ±0.1

SCALE

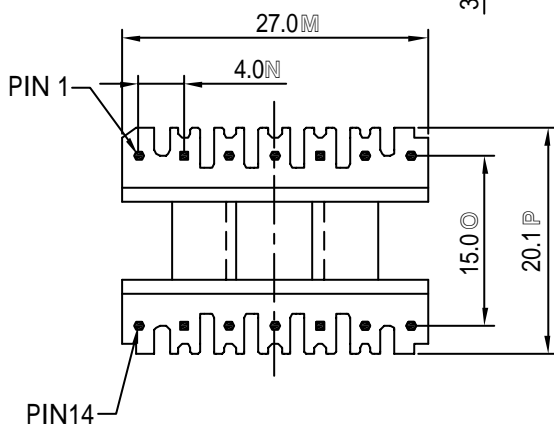
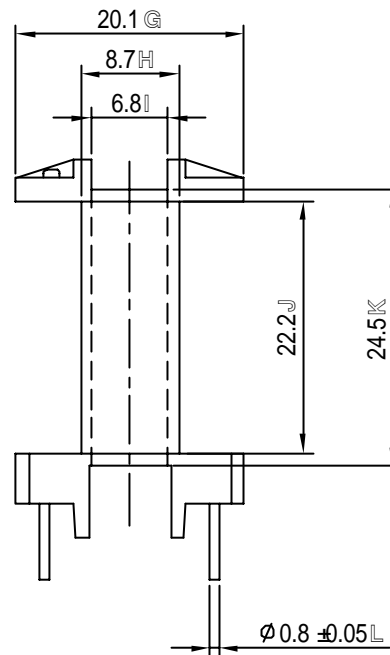
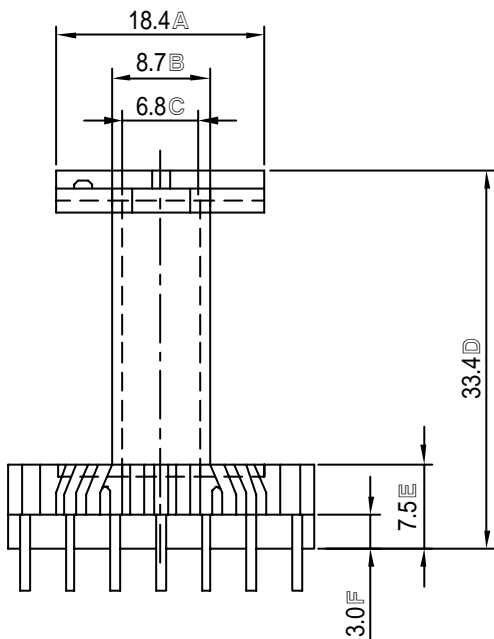
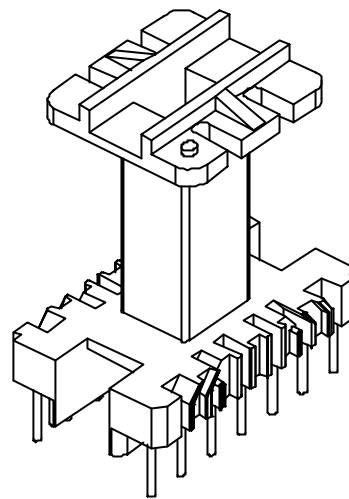
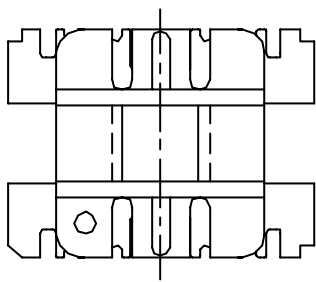
1.5/1

UNIT

MM

-D1-E25-P30 -





REVISIONS				
ISSUE	SYM	DATE	DRAFTER	CHECKER

NOTE:



**樹林企業股份有限公司**

TAIWAN SHULIN ENTERPRISE CO., LTD

WEB: [www.bobbin.com.tw](http://www.bobbin.com.tw)

e-mail: [shulin@bobbin.com.tw](mailto:shulin@bobbin.com.tw)

(TAIWAN TAIPEI) TEL: (886)2-2223-1500 FAX: (886)2-2222-4646

(CHINA DONGGUAN) TEL: (86)769-7730-785 FAX: (86)769-7312-387

(CHINA SUZHOU) TEL: (86)512-6621-0580 FAX: (86)512-6621-0685

MODEL

TF-2544

MATERIAL

PHENOLIC

UL RATING

UL94V-0

PIN MATERIAL

CP WIRE

EDITION

1.0

DATE

2003/5/19

SCALE

1.5/1

TOLERANCE

.X  $\pm 0.2$

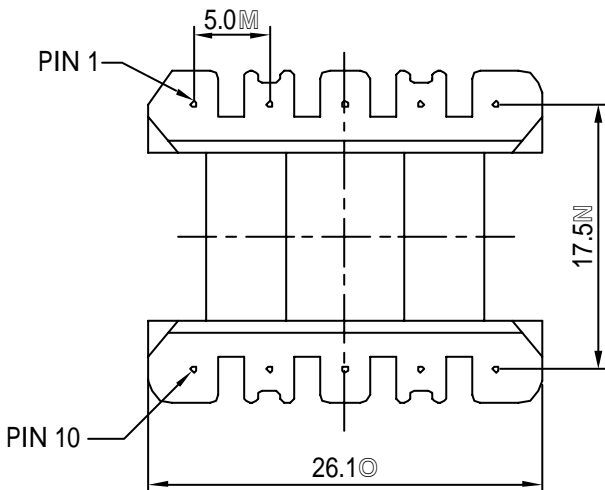
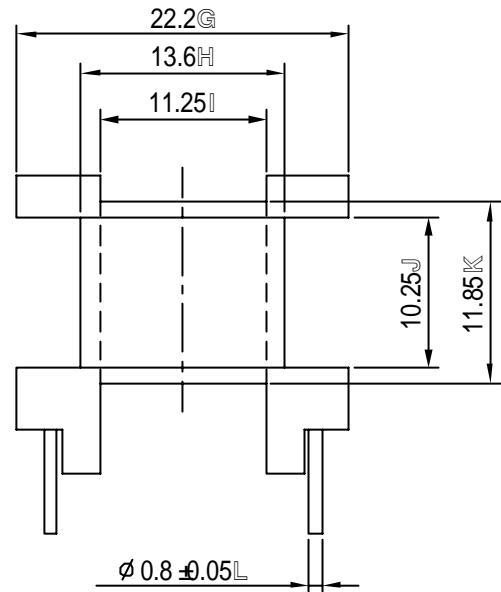
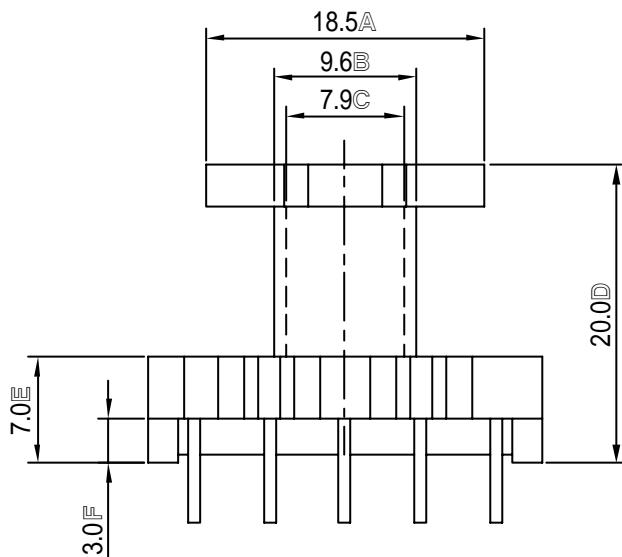
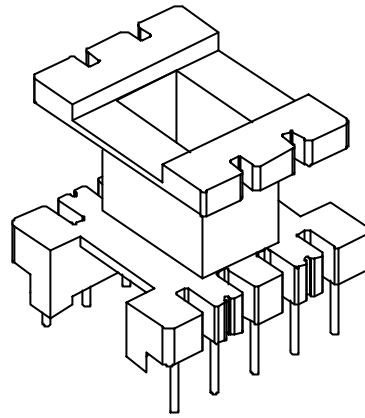
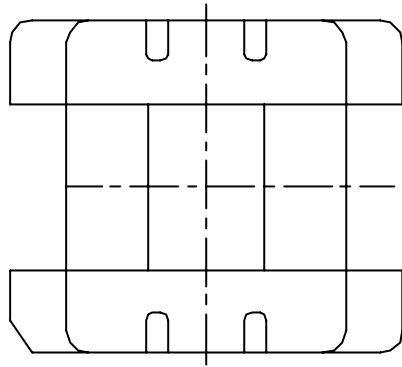
.XX  $\pm 0.15$

PIN PITCH  $\pm 0.1$

UNIT

MM

-D1-E25-P31 -



REVISIONS				
ISSUE	SYM	DATE	DRAFTER	CHECKER

NOTE:



樹林企業股份有限公司

TAIWAN SHULIN ENTERPRISE CO., LTD

WEB: www.bobbin.com.tw

e-mail: shulin@bobbin.com.tw

(TAIWAN TAIPEI) TEL: (886)2-2223-1500 FAX: (886)2-2222-4646

(CHINA DONGGUAN) TEL: (86)769-7730-785 FAX: (86)769-7312-387

(CHINA SUZHOU) TEL: (86)512-6621-0580 FAX: (86)512-6621-0685

MODEL

TF-2801

MATERIAL

PHENOLIC

UL RATING

UL94V-0

TOLERANCE

PIN MATERIAL

CP WIRE

.X  $\pm 0.2$

EDITION

2.0

.XX  $\pm 0.15$

DATE

2002/8/15

PIN PITCH  $\pm 0.1$

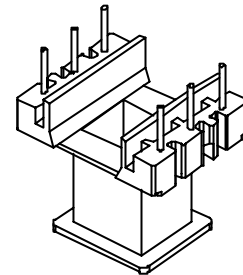
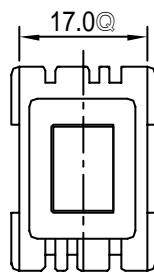
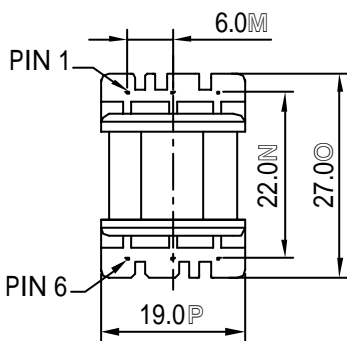
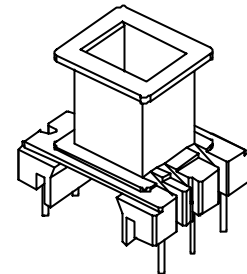
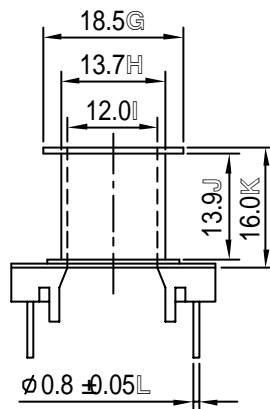
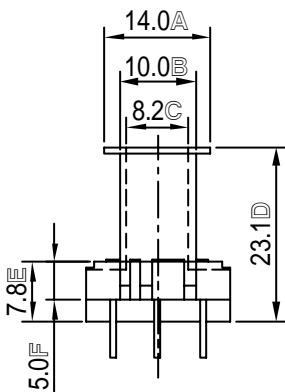
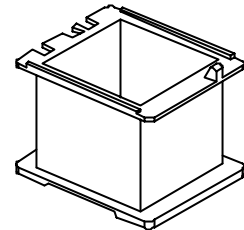
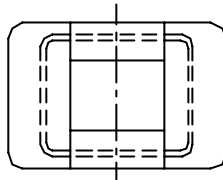
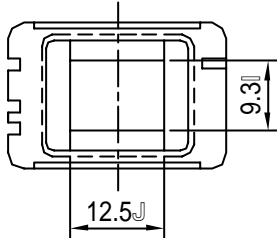
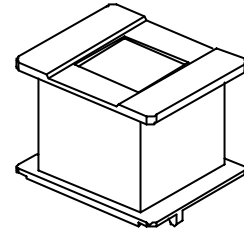
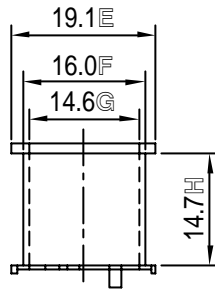
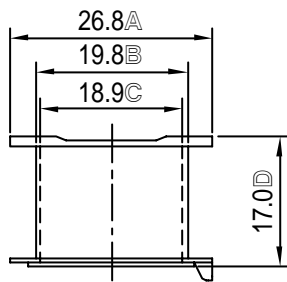
SCALE

2/1

UNIT

MM

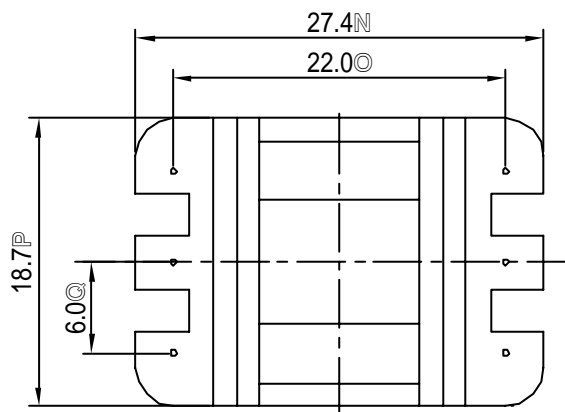
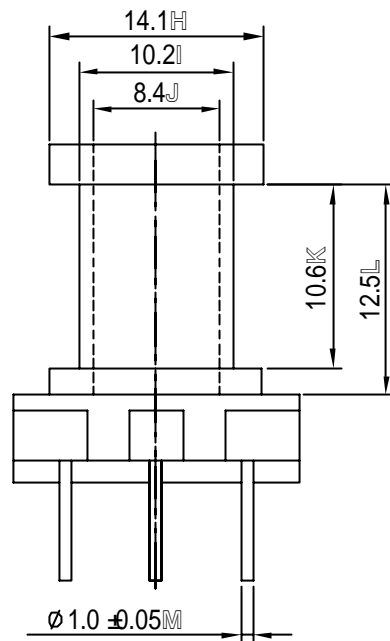
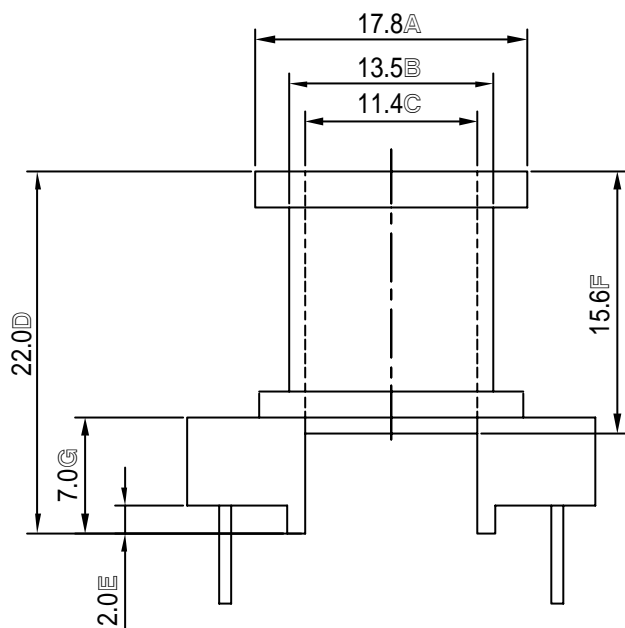
-D1-E28-P01 -



REVISIONS				
ISSUE	SYM	DATE	DRAFTER	CHECKER
NOTE:				

 <b>樹林企業股份有限公司</b> TAIWAN SHULIN ENTERPRISE CO., LTD	MODEL		TF-2802	
	MATERIAL		NYLON 66 PHENOLIC	
WEB:www.bobbin.com.tw	UL RATING	UL94V-0	TOLERANCE  .X ±0.2 .XX ±0.15 PIN PITCH ±0.1	
e-mail:shulin@bobbin.com.tw	PIN MATERIAL	CP WIRE		
(TAIWAN TAIPEI) TEL:(886)2-2223-1500 FAX:(886)2-2222-4646	EDITION	2.0		
(CHINA DONGGUAN) TEL:(86)769-7730-785 FAX:(86)769-7312-387	DATE	2002/8/15		
(CHINA SUZHOU) TEL:(86)512-6621-0580 FAX:(86)512-6621-0685	SCALE	1/1	UNIT	MM

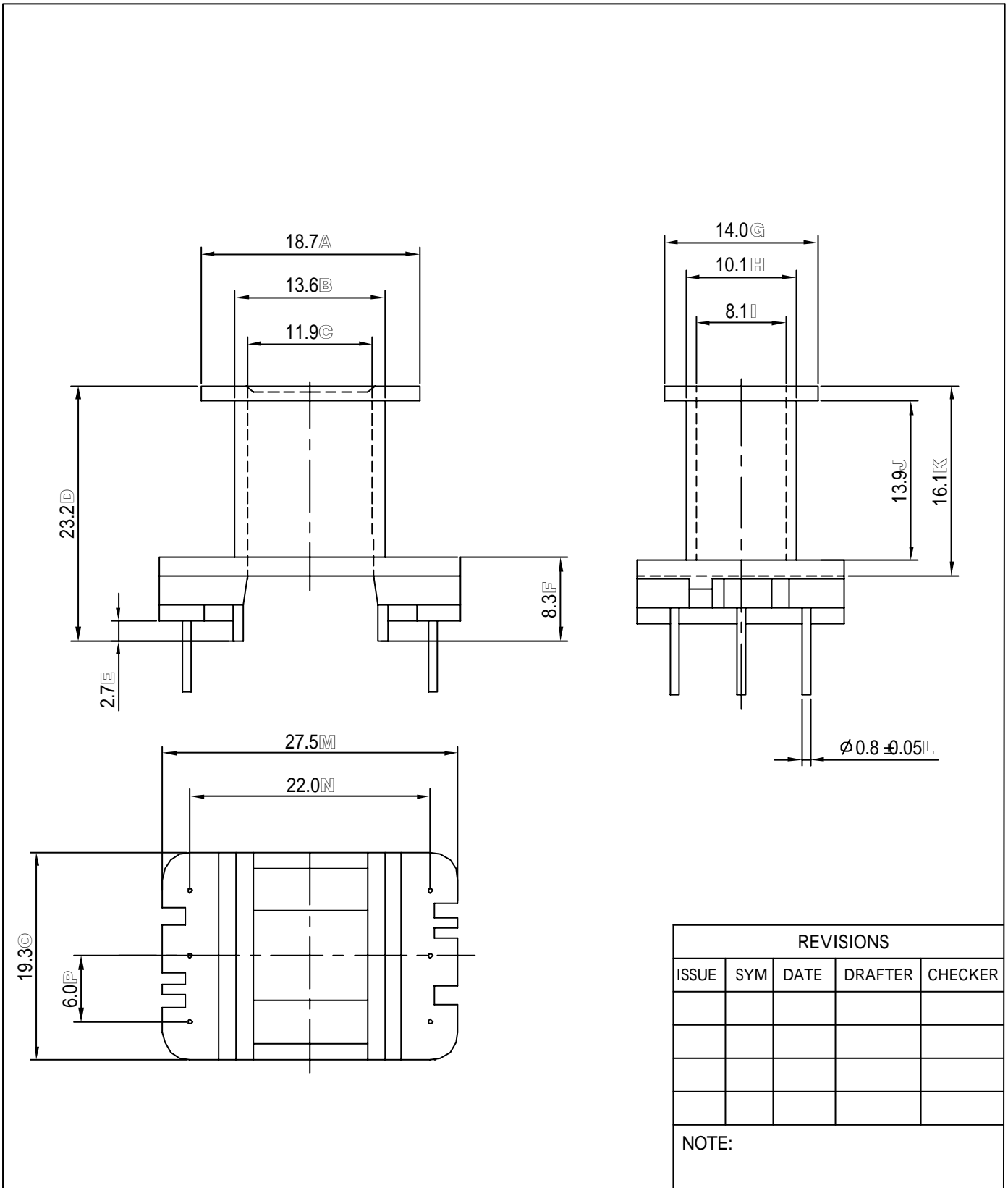
-D1-E28-P02 -



REVISIONS				
ISSUE	SYM	DATE	DRAFTER	CHECKER
NOTE:				


 <b>樹林企業股份有限公司</b> TAIWAN SHULIN ENTERPRISE CO., LTD	MODEL		TF-2802-1	
	MATERIAL		PHENOLIC	
WEB:www.bobbin.com.tw	UL RATING	UL94V-0	TOLERANCE .X $\pm 0.2$ .XX $\pm 0.15$ PIN PITCH $\pm 0.1$	
e-mail:shulin@bobbin.com.tw	PIN MATERIAL	CP WIRE		
(TAIWAN TAIPEI) TEL:(886)2-2223-1500 FAX:(886)2-2222-4646	EDITION	2.0		
(CHINA DONGGUAN) TEL:(86)769-7730-785 FAX:(86)769-7312-387	DATE	2002/8/15		
(CHINA SUZHOU) TEL:(86)512-6621-0580 FAX:(86)512-6621-0685	SCALE	2/1	UNIT	MM

-D1-E28-P03 -

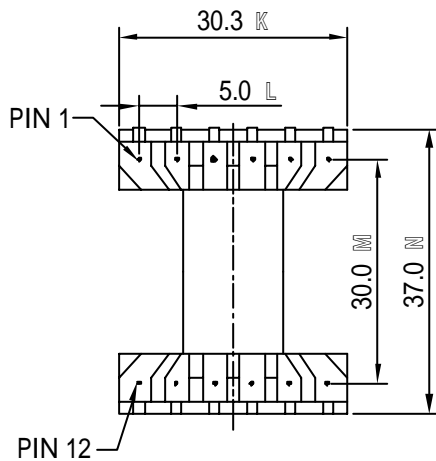
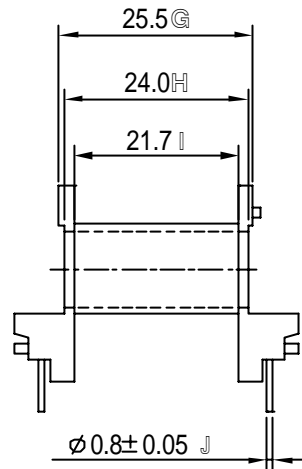
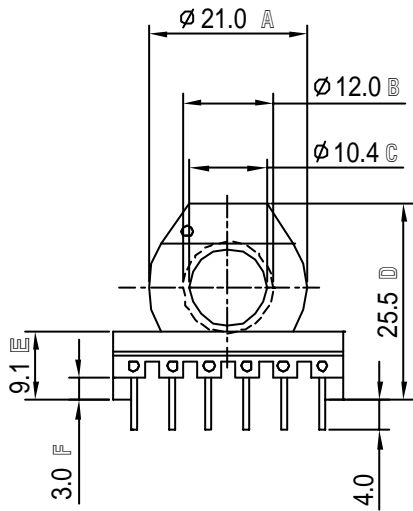
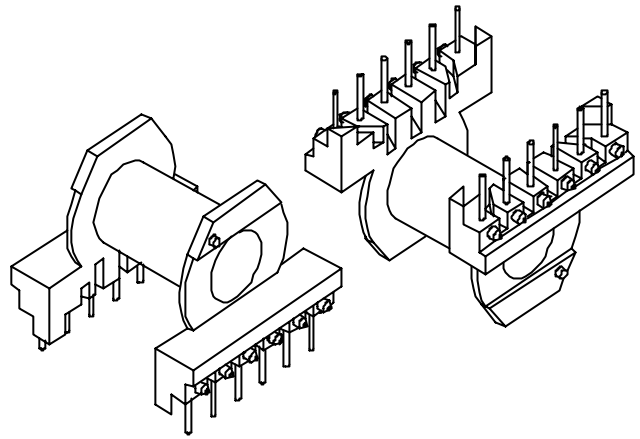
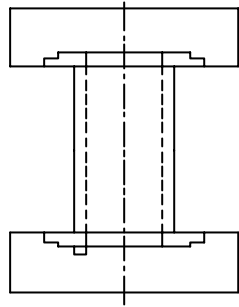


REVISIONS				
ISSUE	SYM	DATE	DRAFTER	CHECKER

NOTE:

 <b>樹林企業股份有限公司</b> TAIWAN SHULIN ENTERPRISE CO., LTD	MODEL		TF-2802-2	
	MATERIAL		PHENOLIC	
WEB:www.bobbin.com.tw	UL RATING	UL94V-0	TOLERANCE .X ±0.2 .XX ±0.15 PIN PITCH ±0.1	
e-mail:shulin@bobbin.com.tw	PIN MATERIAL	CP WIRE		
(TAIWAN TAIPEI) TEL:(886)2-2223-1500 FAX:(886)2-2222-4646	EDITION	2.0		
(CHINA DONGGUAN) TEL:(86)769-7730-785 FAX:(86)769-7312-387	DATE	2002/8/15	UNIT	MM
(CHINA SUZHOU) TEL:(86)512-6621-0580 FAX:(86)512-6621-0685	SCALE	2/1		

-D1-E28-P04 -



REVISIONS				
ISSUE	SYM	DATE	DRAFTER	CHECKER

NOTE:



**樹林企業股份有限公司**  
TAIWAN SHULIN ENTERPRISE CO., LTD

MODEL

TF-2803

MATERIAL

PHENOLIC

WEB:www.bobbin.com.tw

UL RATING

UL94V-0

TOLERANCE

e-mail:shulin@bobbin.com.tw

PIN MATERIAL

CP WIRE

.X  $\pm 0.2$

(TAIWAN TAIPEI) TEL:(886)2-2223-1500 FAX:(886)2-2222-4646

EDITION

2.0

.XX  $\pm 0.15$

(CHINA DONGGUAN) TEL:(86)769-7730-785 FAX:(86)769-7312-387

DATE

2002/8/15

PIN PITCH  $\pm 0.1$

(CHINA SUZHOU) TEL:(86)512-6621-0580 FAX:(86)512-6621-0685

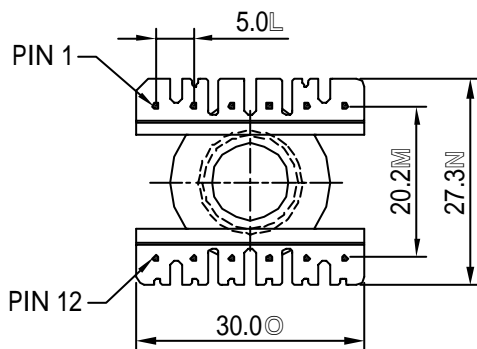
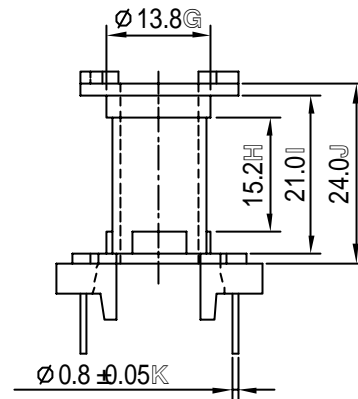
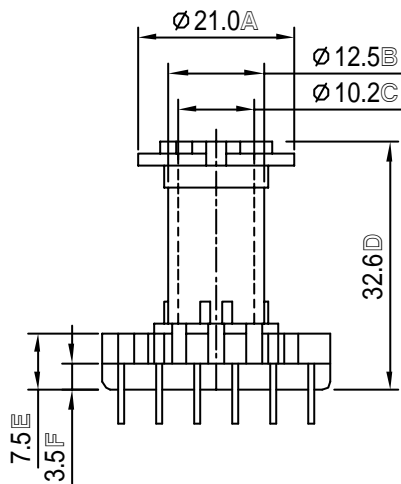
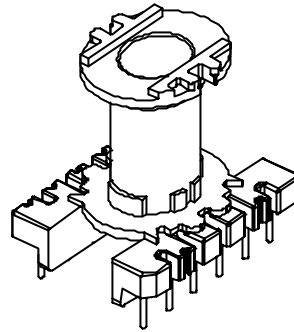
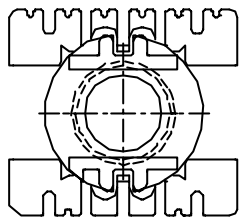
SCALE

1/1

UNIT

MM

-D2-ER28-P01 -

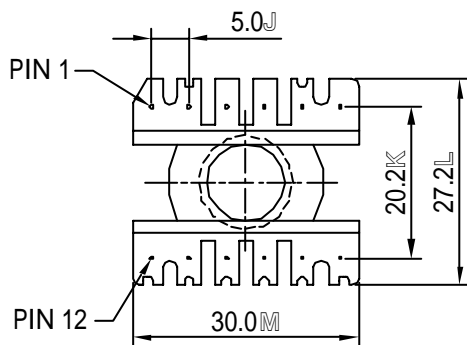
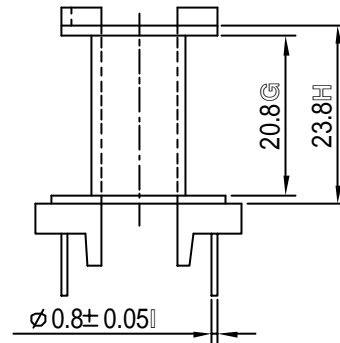
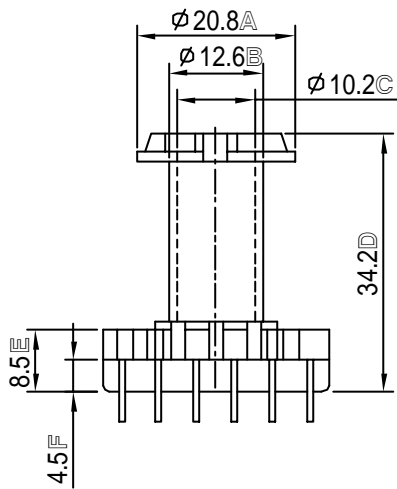
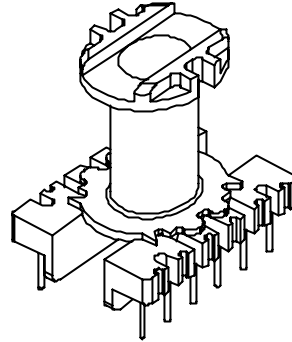
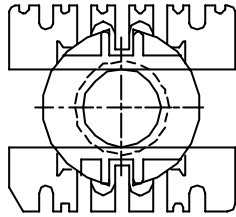


REVISIONS				
ISSUE	SYM	DATE	DRAFTER	CHECKER

NOTE:

 <b>樹林企業股份有限公司</b> TAIWAN SHULIN ENTERPRISE CO., LTD	MODEL		TF-2804	
	MATERIAL		PHENOLIC	
WEB:www.bobbin.com.tw	UL RATING	UL94V-0	TOLERANCE .X $\pm 0.2$ .XX $\pm 0.15$ PIN PITCH $\pm 0.1$	
e-mail:shulin@bobbin.com.tw	PIN MATERIAL	CP WIRE		
(TAIWAN TAIPEI) TEL:(886)2-2223-1500 FAX:(886)2-2222-4646	EDITION	2.0		
(CHINA DONGGUAN) TEL:(86)769-7730-785 FAX:(86)769-7312-387	DATE	2002/8/15	UNIT	MM
(CHINA SUZHOU) TEL:(86)512-6621-0580 FAX:(86)512-6621-0685	SCALE	1/1		

-D2-ER28-P02 -



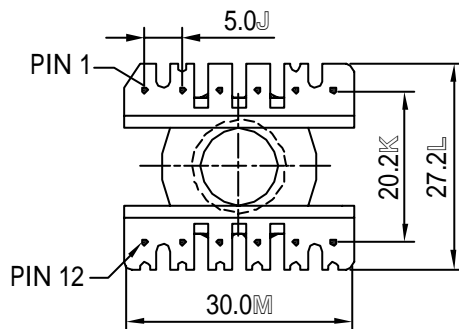
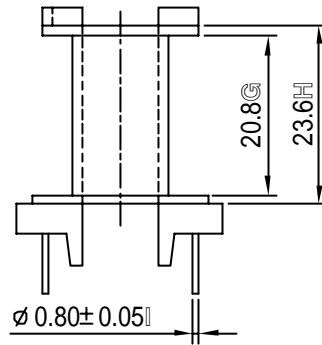
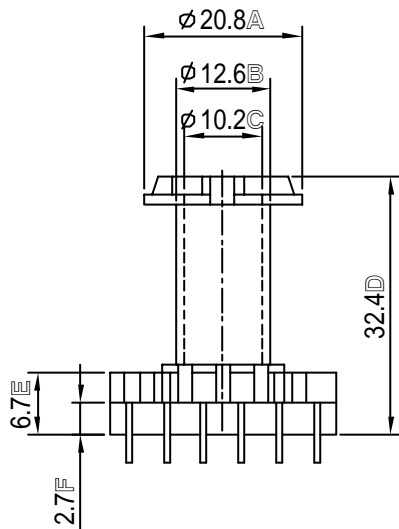
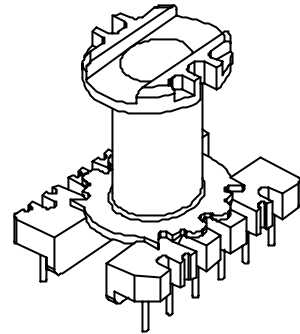
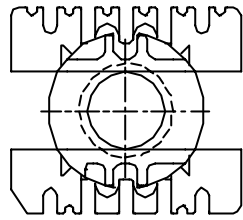
REVISIONS				
ISSUE	SYM	DATE	DRAFTER	CHECKER

NOTE:

 <b>樹林企業股份有限公司</b> TAIWAN SHULIN ENTERPRISE CO., LTD	MODEL		TF-2804-2	
	MATERIAL		PHENOLIC	
WEB: www.bobbin.com.tw	UL RATING	UL94V-0	TOLERANCE .X $\pm 0.2$ .XX $\pm 0.15$ PIN PITCH $\pm 0.1$	
e-mail: shulin@bobbin.com.tw	PIN MATERIAL	CP WIRE		
(TAIWAN TAIPEI) TEL: (886)2-2223-1500 FAX: (886)2-2222-4646	EDITION	2.0		
(CHINA DONGGUAN) TEL: (86)769-7730-785 FAX: (86)769-7312-387	DATE	2002/8/15	UNIT	MM
(CHINA SUZHOU) TEL: (86)512-6621-0580 FAX: (86)512-6621-0685	SCALE	1/1		

-D2-ER28-P03 -

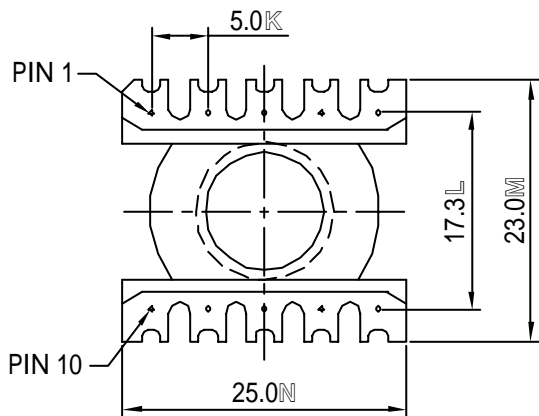
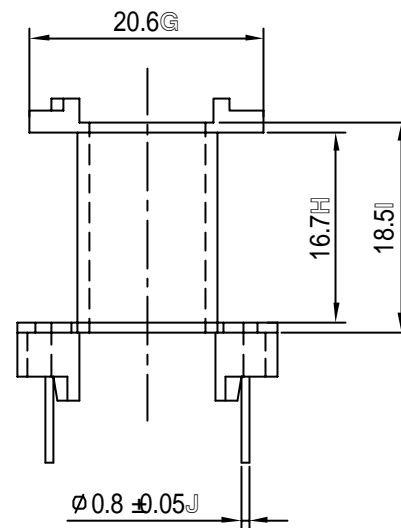
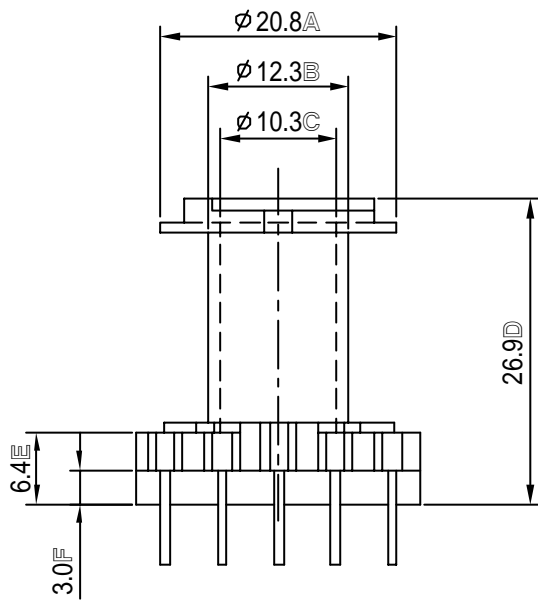
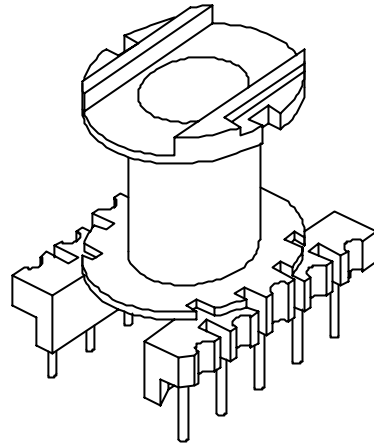
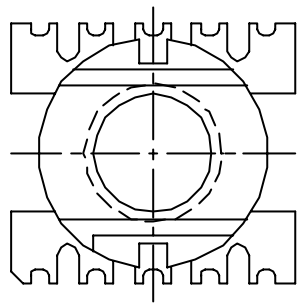




REVISIONS				
ISSUE	SYM	DATE	DRAFTER	CHECKER
NOTE:				

 <b>樹林企業股份有限公司</b> TAIWAN SHULIN ENTERPRISE CO., LTD	MODEL		TF-2804-3	
	MATERIAL		PHENOLIC	
WEB: <a href="http://www.bobbin.com.tw">www.bobbin.com.tw</a>	UL RATING	UL94V-0	TOLERANCE .X $\pm 0.2$ .XX $\pm 0.15$ PIN PITCH $\pm 0.1$	
e-mail: <a href="mailto:shulin@bobbin.com.tw">shulin@bobbin.com.tw</a>	PIN MATERIAL	CP WIRE		
(TAIWAN TAIPEI) TEL: (886)2-2223-1500 FAX: (886)2-2222-4646	EDITION	2.0		
(CHINA DONGGUAN) TEL: (86)769-7730-785 FAX: (86)769-7312-387	DATE	2002/8/15	UNIT	MM
(CHINA SUZHOU) TEL: (86)512-6621-0580 FAX: (86)512-6621-0685	SCALE	1/1		

-D2-ER28-P04 -



REVISIONS				
ISSUE	SYM	DATE	DRAFTER	CHECKER
NOTE:				



**樹林企業股份有限公司**  
TAIWAN SHULIN ENTERPRISE CO., LTD

MODEL

TF-2805

MATERIAL

PHENOLIC

WEB: www.bobbin.com.tw

UL RATING

UL94V-0

TOLERANCE

e-mail: shulin@bobbin.com.tw

PIN MATERIAL

CP WIRE

.X  $\pm 0.2$

(TAIWAN TAIPEI) TEL: (886)2-2223-1500 FAX: (886)2-2222-4646

EDITION

2.0A

.XX  $\pm 0.15$

(CHINA DONGGUAN) TEL: (86)769-7730-785 FAX: (86)769-7312-387

DATE

2003/5/28

PIN PITCH  $\pm 0.1$

(CHINA SUZHOU) TEL: (86)512-6621-0580 FAX: (86)512-6621-0685

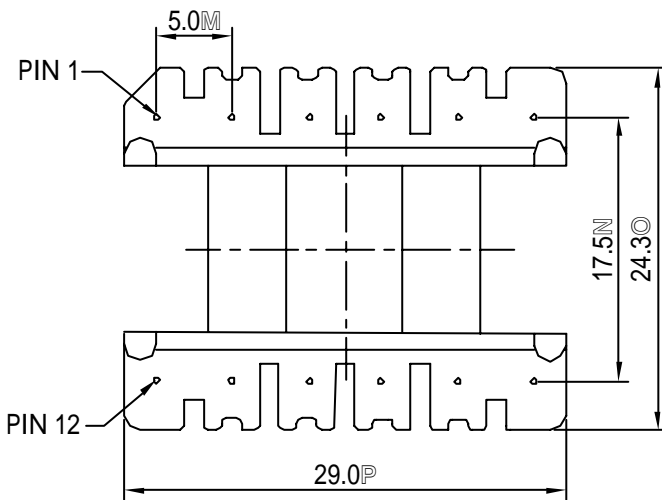
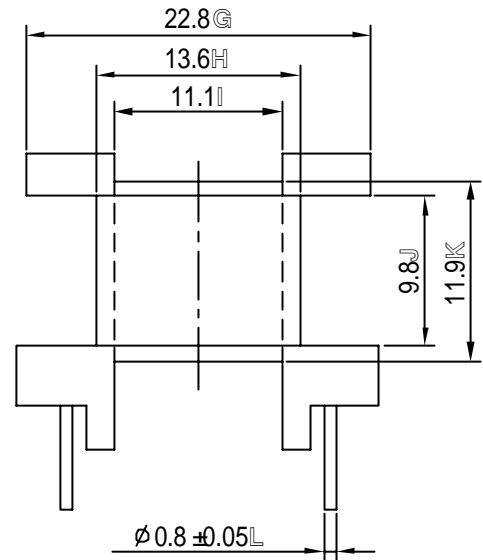
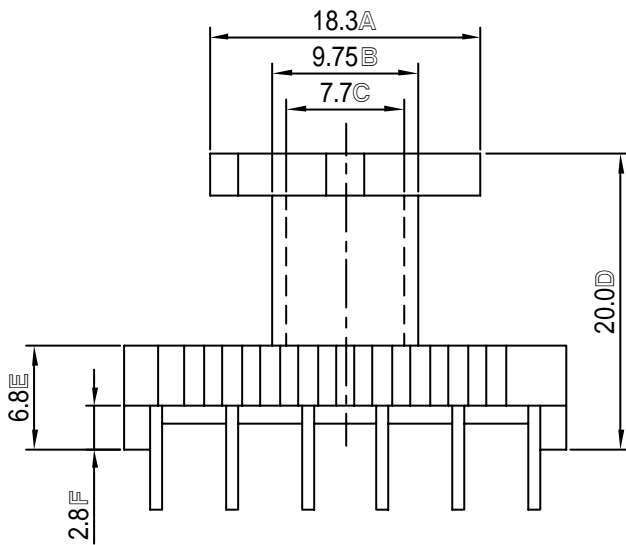
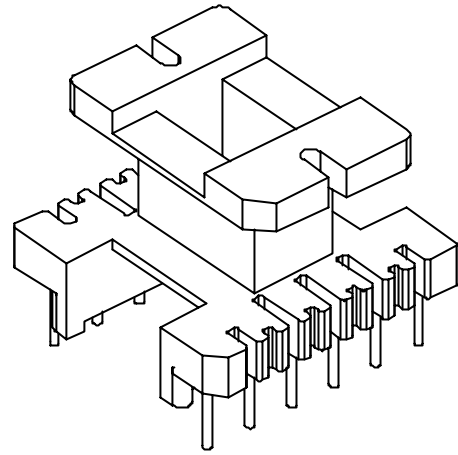
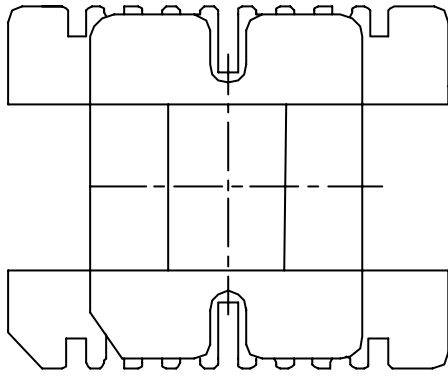
SCALE

1.5/1

UNIT

MM

-D2-ER28-P05 -



REVISIONS				
ISSUE	SYM	DATE	DRAFTER	CHECKER

NOTE:



樹林企業股份有限公司

TAIWAN SHULIN ENTERPRISE CO., LTD

WEB: www.bobbin.com.tw

e-mail: shulin@bobbin.com.tw

(TAIWAN TAIPEI) TEL: (886)2-2223-1500 FAX: (886)2-2222-4646

(CHINA DONGGUAN) TEL: (86)769-7730-785 FAX: (86)769-7312-387

(CHINA SUZHOU) TEL: (86)512-6621-0580 FAX: (86)512-6621-0685

MODEL

TF-2806

MATERIAL

PHENOLIC

UL RATING

UL94V-0

TOLERANCE

PIN MATERIAL

CP WIRE

.X  $\pm 0.2$

EDITION

2.0

.XX  $\pm 0.15$

DATE

2002/8/15

PIN PITCH  $\pm 0.1$

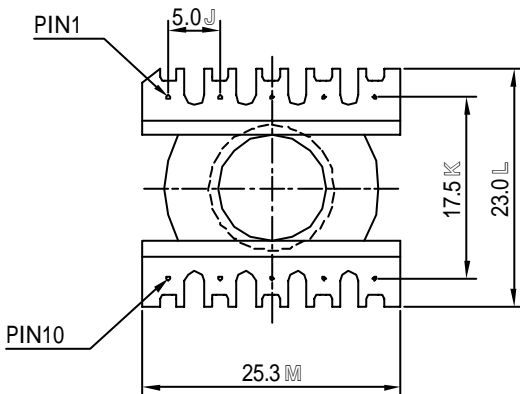
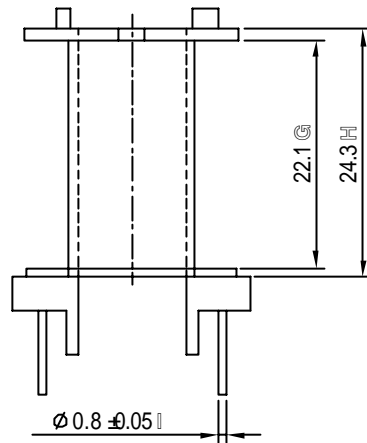
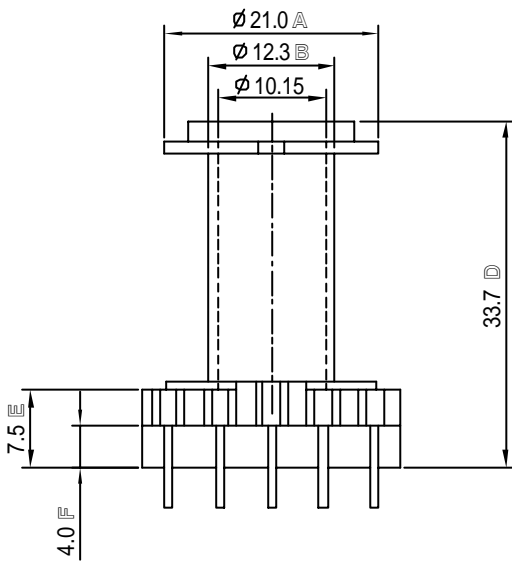
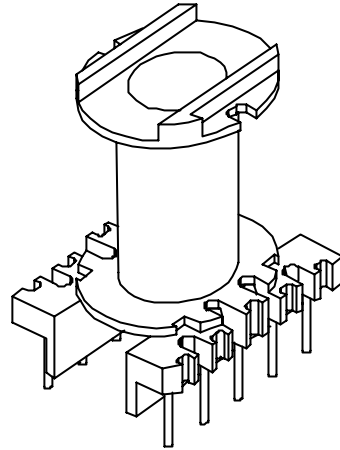
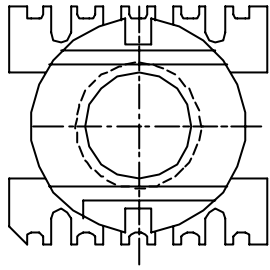
SCALE

2/1

UNIT

MM

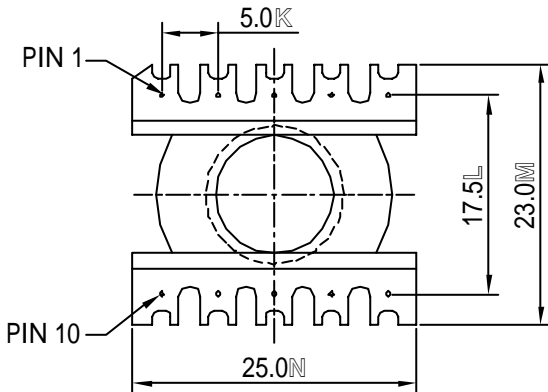
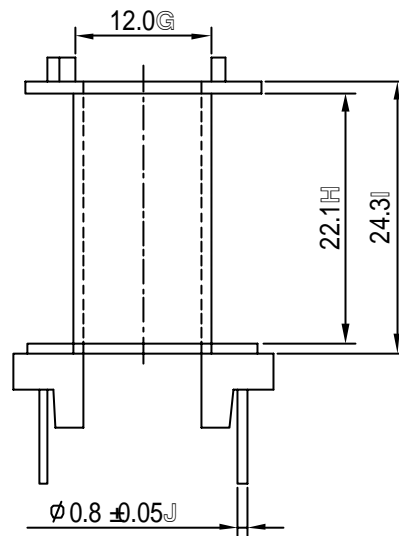
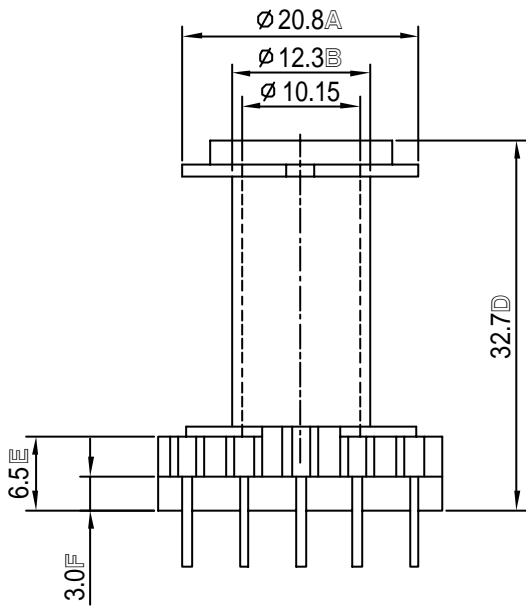
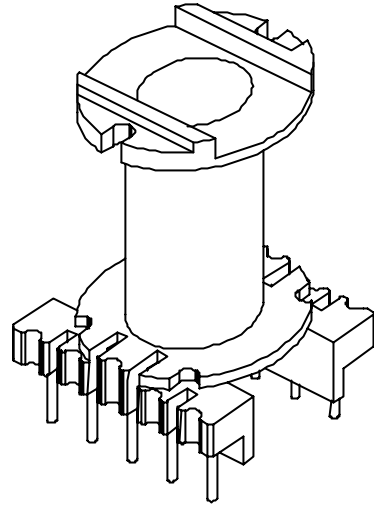
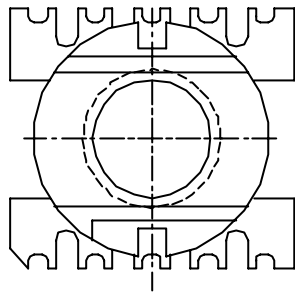
-D1-E28-P05 -



REVISIONS				
ISSUE	SYM	DATE	DRAFTER	CHECKER
NOTE:				

 <b>樹林企業股份有限公司</b> TAIWAN SHULIN ENTERPRISE CO., LTD	MODEL		TF-2807	
	MATERIAL		PHENOLIC	
WEB: www.bobbin.com.tw	UL RATING	UL94V-0	TOLERANCE .X ±0.2 .XX ±0.15 PIN PITCH ±0.1	
e-mail: shulin@bobbin.com.tw	PIN MATERIAL	CP WIRE		
(TAIWAN TAIPEI) TEL: (886)2-2223-1500 FAX: (886)2-2222-4646	EDITION	2.0		
(CHINA DONGGUAN) TEL: (86)769-7730-785 FAX: (86)769-7312-387	DATE	2002/8/15	UNIT	MM
(CHINA SUZHOU) TEL: (86)512-6621-0580 FAX: (86)512-6621-0685	SCALE	1.5/1		

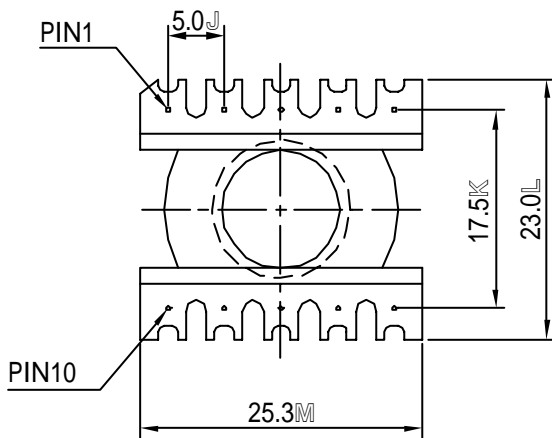
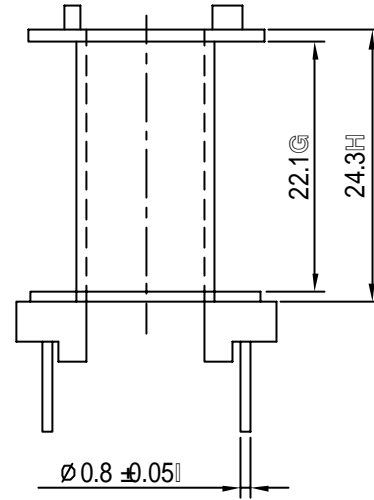
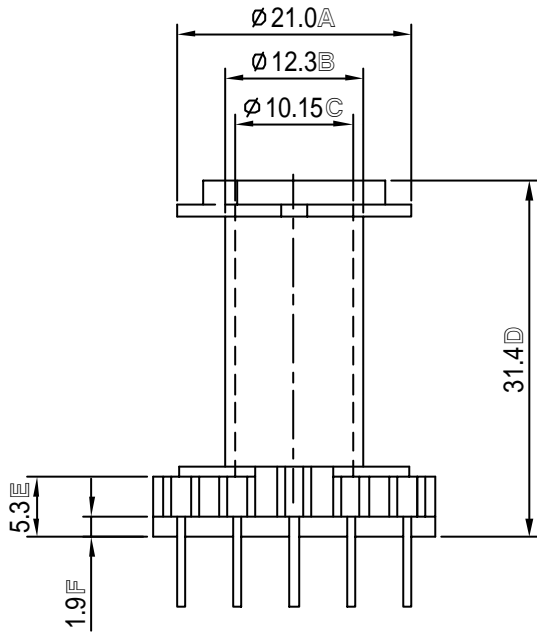
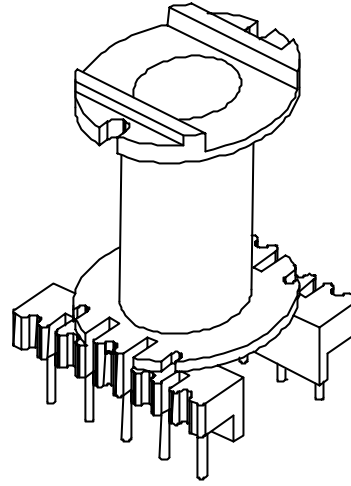
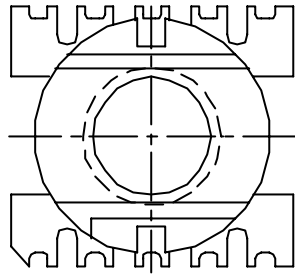
-D2-ER28-P06 -



REVISIONS				
ISSUE	SYM	DATE	DRAFTER	CHECKER
NOTE:				

 <b>樹林企業股份有限公司</b> TAIWAN SHULIN ENTERPRISE CO., LTD	MODEL		TF-2807-1	
	MATERIAL		PHENOLIC	
WEB:www.bobbin.com.tw	UL RATING	UL94V-0	TOLERANCE .X ±0.2 .XX ±0.15 PIN PITCH ±0.1	
e-mail:shulin@bobbin.com.tw	PIN MATERIAL	CP WIRE		
(TAIWAN TAIPEI) TEL:(886)2-2223-1500 FAX:(886)2-2222-4646	EDITION	2.0		
(CHINA DONGGUAN) TEL:(86)769-7730-785 FAX:(86)769-7312-387	DATE	2002/8/15	UNIT	
(CHINA SUZHOU) TEL:(86)512-6621-0580 FAX:(86)512-6621-0685	SCALE	1.5/1	MM	

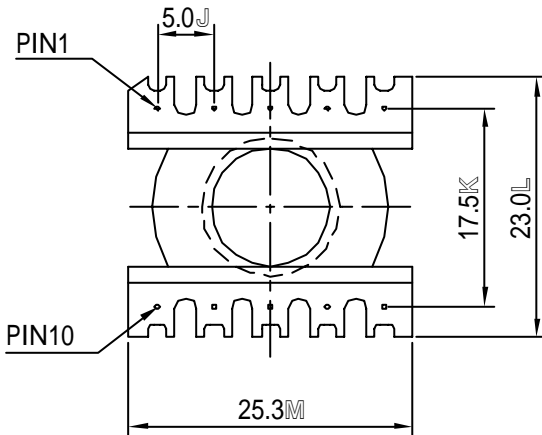
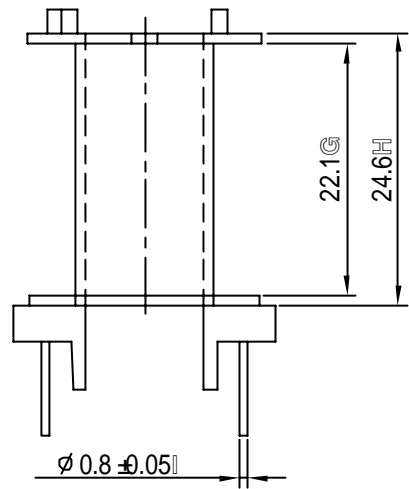
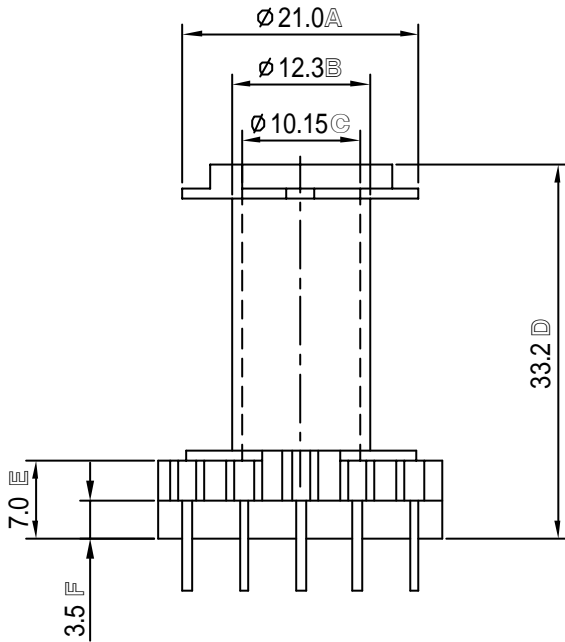
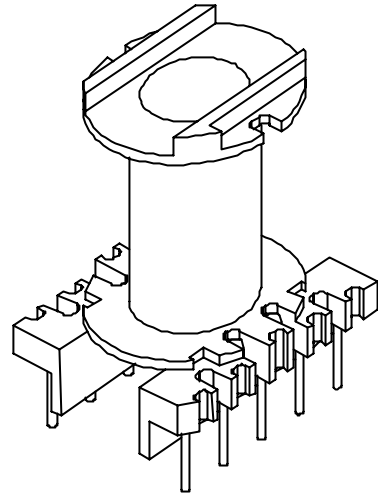
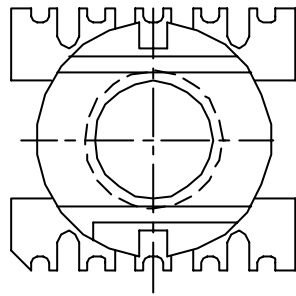
-D2-ER28-P07 -



REVISIONS				
ISSUE	SYM	DATE	DRAFTER	CHECKER
NOTE:				

 <b>樹林企業股份有限公司</b> TAIWAN SHULIN ENTERPRISE CO., LTD	MODEL		TF-2807-2	
	MATERIAL		PHENOLIC	
WEB:www.bobbin.com.tw	UL RATING	UL94V-0	TOLERANCE .X ±0.2 .XX ±0.15 PIN PITCH ±0.1	
e-mail:shulin@bobbin.com.tw	PIN MATERIAL	CP WIRE		
(TAIWAN TAIPEI) TEL:(886)2-2223-1500 FAX:(886)2-2222-4646	EDITION	2.0		
(CHINA DONGGUAN) TEL:(86)769-7730-785 FAX:(86)769-7312-387	DATE	2002/8/15	UNIT	MM
(CHINA SUZHOU) TEL:(86)512-6621-0580 FAX:(86)512-6621-0685	SCALE	1.5/1		

-D2-ER28-P08 -



REVISIONS				
ISSUE	SYM	DATE	DRAFTER	CHECKER

NOTE:

 樹林企業股份有限公司  
TAIWAN SHULIN ENTERPRISE CO., LTD

MODEL

TF-2807-3

MATERIAL

PHENOLIC

WEB:www.bobbin.com.tw

UL RATING

UL94V-0

TOLERANCE

e-mail:shulin@bobbin.com.tw

PIN MATERIAL

CP WIRE

.X ±0.2

(TAIWAN TAIPEI) TEL:(886)2-2223-1500 FAX:(886)2-2222-4646

EDITION

2.0

.XX ±0.15

(CHINA DONGGUAN) TEL:(86)769-7730-785 FAX:(86)769-7312-387

DATE

2002/8/15

PIN PITCH ±0.1

(CHINA SUZHOU) TEL:(86)512-6621-0580 FAX:(86)512-6621-0685

SCALE

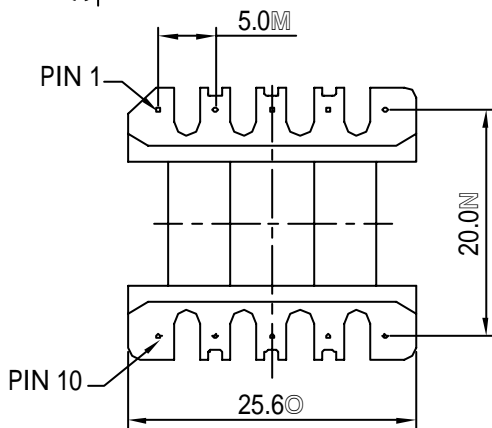
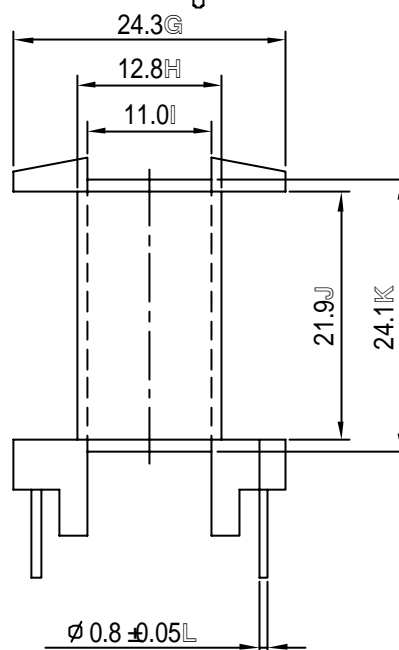
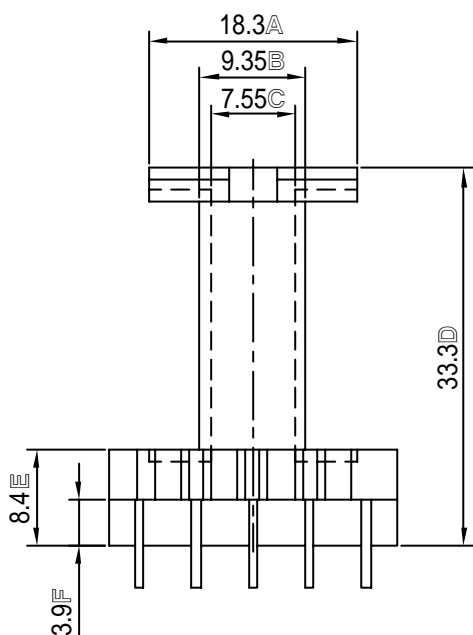
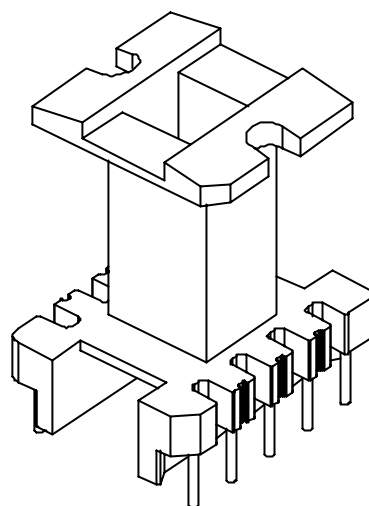
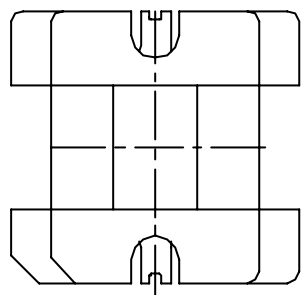
1.5/1

UNIT

MM

-D2-ER28-P09 -

本图面版权属台湾树林，本人仅将其汇总。不承担任何法律责任！！QQ：195502110

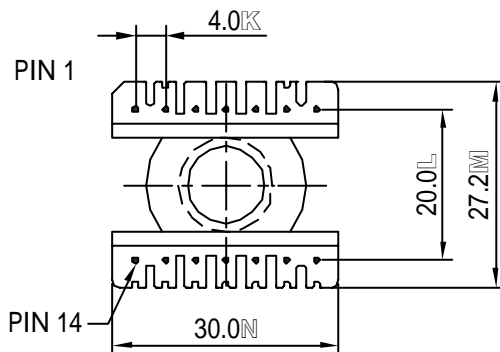
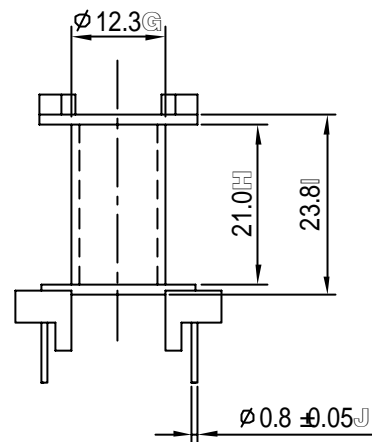
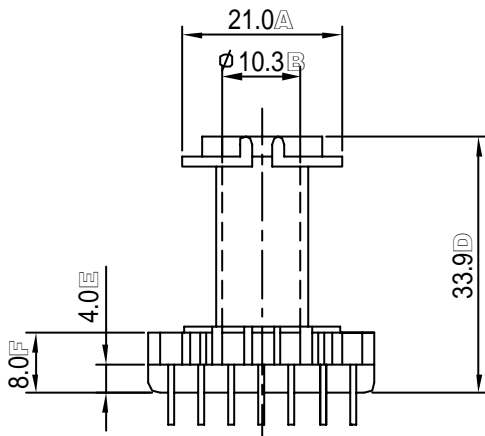
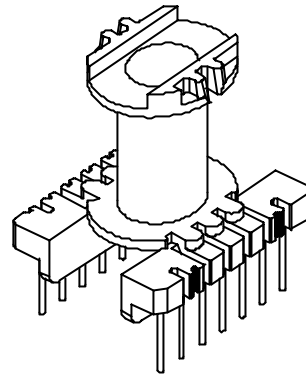
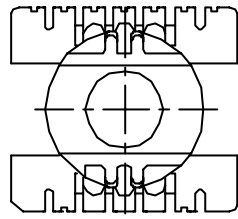


REVISIONS				
ISSUE	SYM	DATE	DRAFTER	CHECKER
NOTE:				

 <b>樹林企業股份有限公司</b> TAIWAN SHULIN ENTERPRISE CO., LTD	MODEL		TF-2808	
	MATERIAL		PHENOLIC	
WEB:www.bobbin.com.tw	UL RATING	UL94V-0	TOLERANCE  .X $\pm 0.2$ .XX $\pm 0.15$ PIN PITCH $\pm 0.1$	
e-mail:shulin@bobbin.com.tw	PIN MATERIAL	CP WIRE		
(TAIWAN TAIPEI) TEL:(886)2-2223-1500 FAX:(886)2-2222-4646	EDITION	2.0		
(CHINA DONGGUAN) TEL:(86)769-7730-785 FAX:(86)769-7312-387	DATE	2002/8/15		
(CHINA SUZHOU) TEL:(86)512-6621-0580 FAX:(86)512-6621-0685	SCALE	1.5/1	UNIT	MM

-D1-E28-P06 -





REVISIONS				
ISSUE	SYM	DATE	DRAFTER	CHECKER

NOTE:



**樹林企業股份有限公司**  
TAIWAN SHULIN ENTERPRISE CO., LTD

MODEL

TF-2809

MATERIAL

PHENOLIC

WEB: www.bobbin.com.tw

UL RATING

UL94V-0

TOLERANCE

e-mail: shulin@bobbin.com.tw

PIN MATERIAL

CP WIRE

.X  $\pm 0.2$

(TAIWAN TAIPEI) TEL: (886)2-2223-1500 FAX: (886)2-2222-4646

EDITION

2.0A

.XX  $\pm 0.15$

(CHINA DONGGUAN) TEL: (86)769-7730-785 FAX: (86)769-7312-387

DATE

2002/9/10

PIN PITCH  $\pm 0.1$

(CHINA SUZHOU) TEL: (86)512-6621-0580 FAX: (86)512-6621-0685

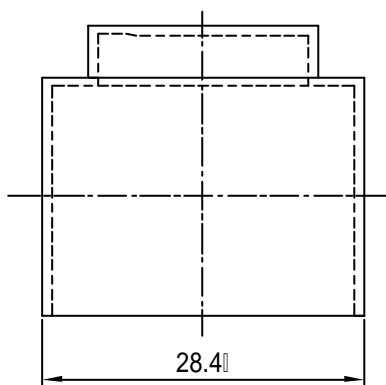
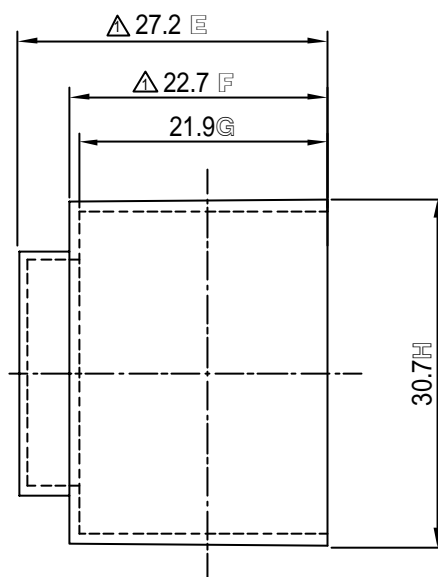
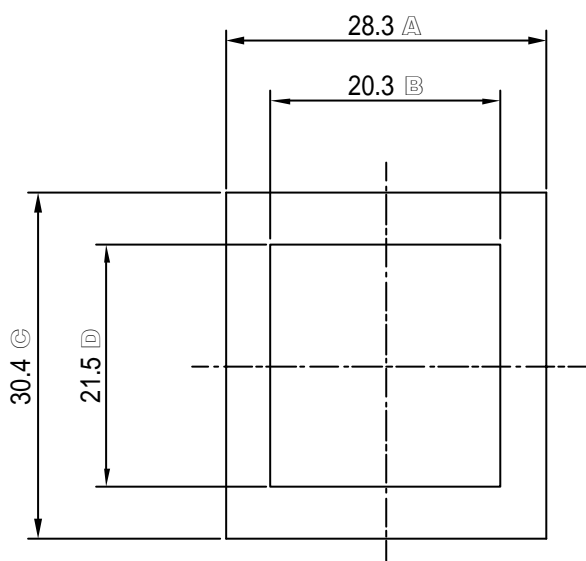
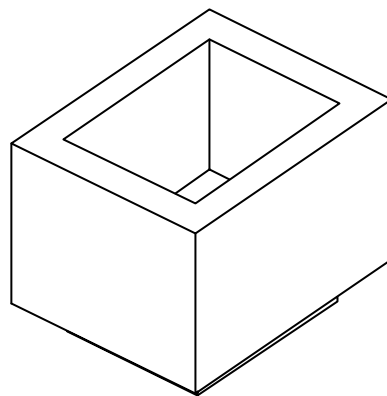
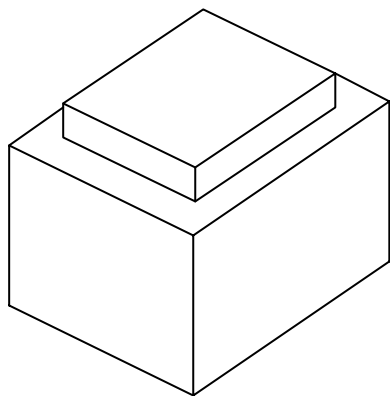
SCALE

1/1

UNIT

MM

- D2-ER28-P10 -

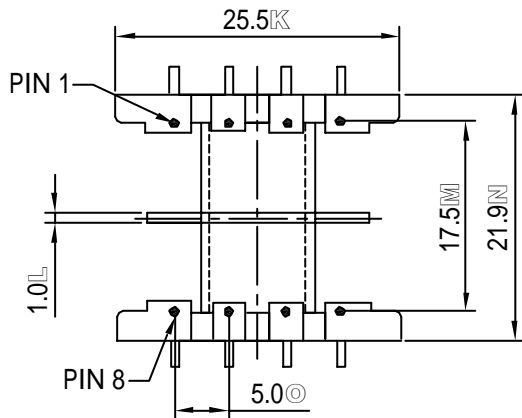
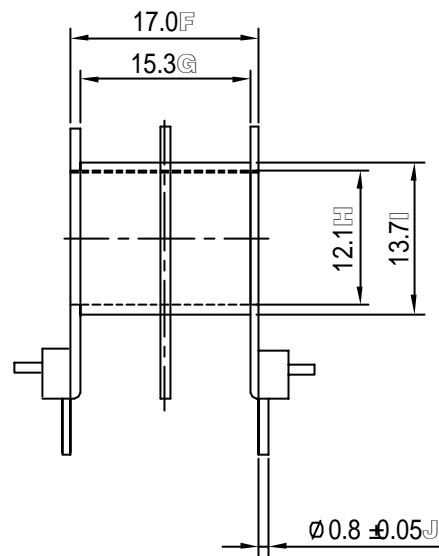
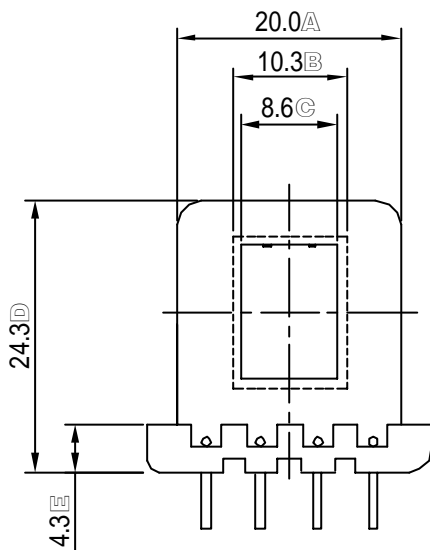
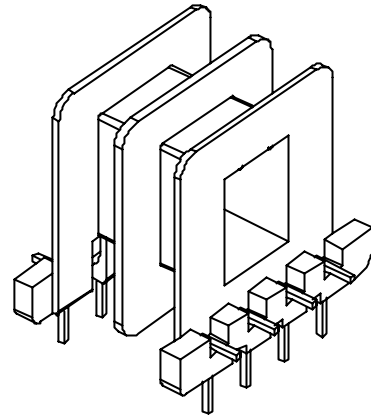
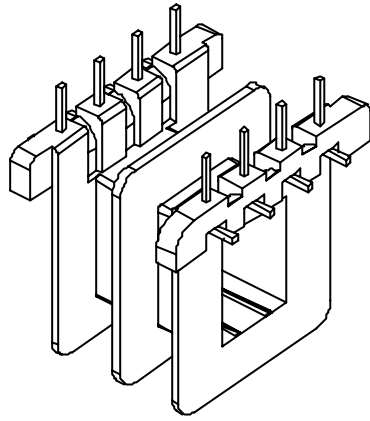


REVISIONS				
ISSUE	SYM	DATE	DRAFTER	CHECKER
1.	△	2003/5/13	LI HUA HONG	C.H.WANG

NOTE:

 <b>樹林企業股份有限公司</b> TAIWAN SHULIN ENTERPRISE CO., LTD	MODEL		TF-2810 (COVER)	
	MATERIAL		PET	
WEB:www.bobbin.com.tw	UL RATING	UL94V-0	TOLERANCE .X ±0.2 .XX ±0.15 PIN PITCH ±0.1	
e-mail:shulin@bobbin.com.tw	PIN MATERIAL	CP WIRE		
(TAIWAN TAIPEI) TEL: (886)2-2223-1500 FAX: (886)2-2222-4646	EDITION	2.0A		
(CHINA DONGGUAN) TEL: (86)769-7730-785 FAX: (86)769-7312-387	DATE	2003/5/13	UNIT	MM
(CHINA SUZHOU) TEL: (86)512-6621-0580 FAX: (86)512-6621-0685	SCALE	1.5/1		

-D1-E28-P08 -



REVISIONS				
ISSUE	SYM	DATE	DRAFTER	CHECKER

NOTE:



樹林企業股份有限公司

TAIWAN SHULIN ENTERPRISE CO., LTD

WEB:www.bobbin.com.tw

e-mail:shulin@bobbin.com.tw

(TAIWAN TAIPEI) TEL:(886)2-2223-1500 FAX:(886)2-2222-4646

(CHINA DONGGUAN) TEL:(86)769-7730-785 FAX:(86)769-7312-387

(CHINA SUZHOU) TEL:(86)512-6621-0580 FAX:(86)512-6621-0685

MODEL

TF-2810

MATERIAL

PET

UL RATING

UL94V-0

PIN MATERIAL

CP WIRE

EDITION

2.0

DATE

2002/8/15

SCALE

1.5/1

TOLERANCE

.X  $\pm 0.2$

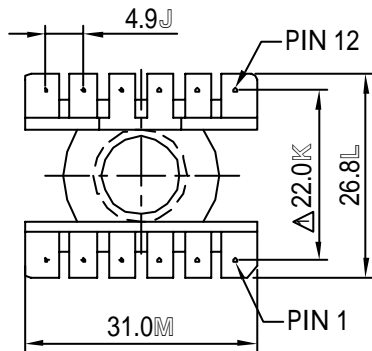
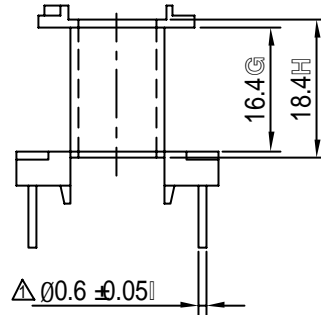
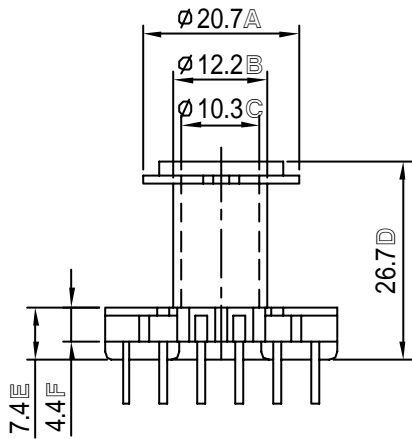
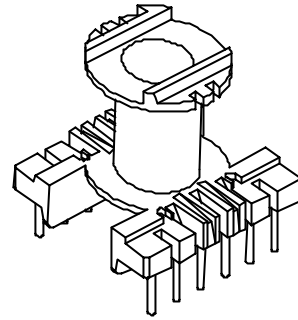
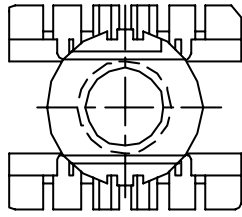
.XX  $\pm 0.15$

PIN PITCH  $\pm 0.1$

UNIT

MM

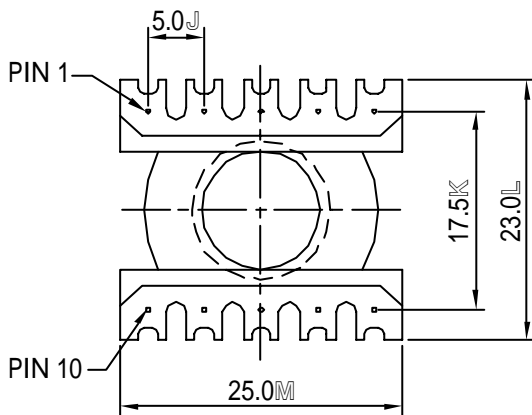
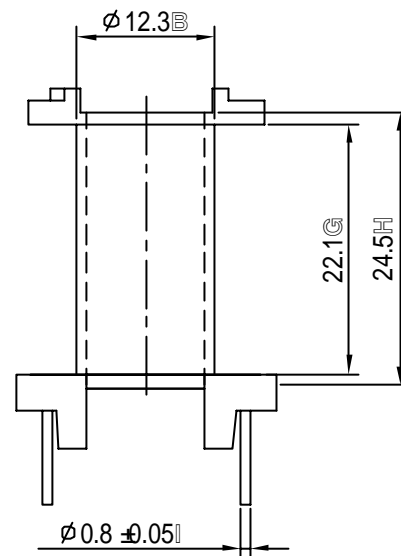
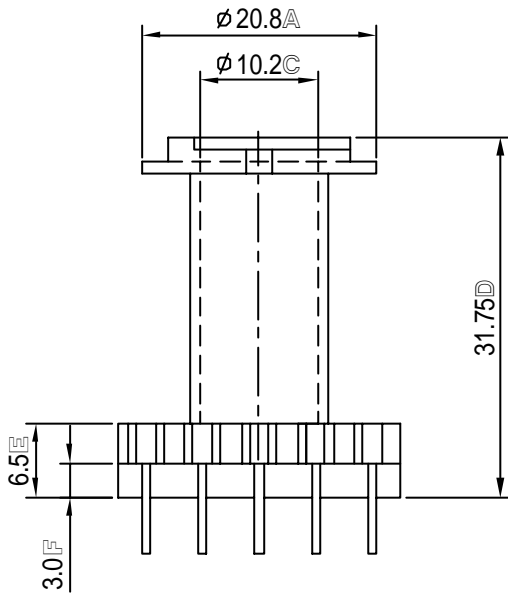
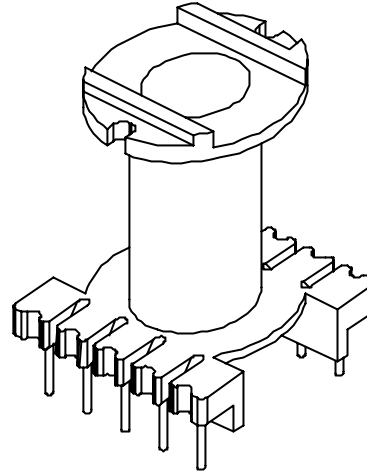
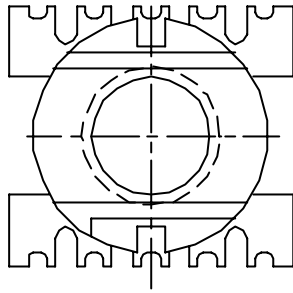
-D1-E28-P07 -



REVISIONS				
ISSUE	SYM	DATE	DRAFTER	CHECKER
1.	$\Delta$	2003/9/23	LI HUA HONG	C.H.WANG
NOTE:				

 <b>樹林企業股份有限公司</b> TAIWAN SHULIN ENTERPRISE CO., LTD	MODEL		TF-2811	
	MATERIAL		PHENOLIC	
WEB:www.bobbin.com.tw	UL RATING	UL94V-0	TOLERANCE .X $\pm 0.2$ .XX $\pm 0.15$ PIN PITCH $\pm 0.1$	
e-mail:shulin@bobbin.com.tw	PIN MATERIAL	CP WIRE		
(TAIWAN TAIPEI) TEL:(886)2-2223-1500 FAX:(886)2-2222-4646	EDITION	2.0A		
(CHINA DONGGUAN) TEL:(86)769-7730-785 FAX:(86)769-7312-387	DATE	2003/9/23	UNIT	MM
(CHINA SUZHOU) TEL:(86)512-6621-0580 FAX:(86)512-6621-0685	SCALE	1/1		

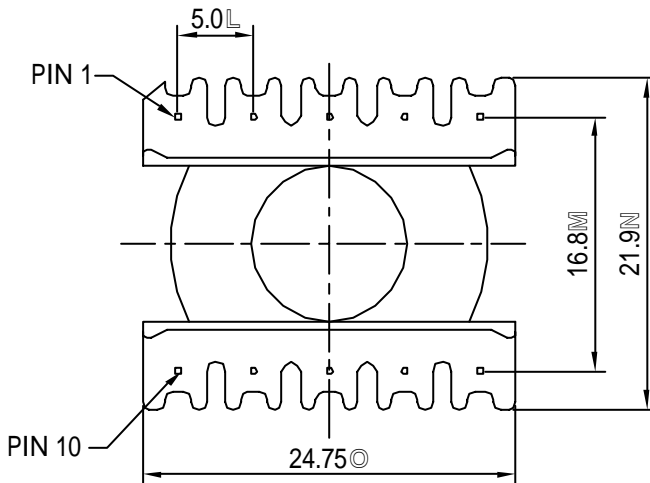
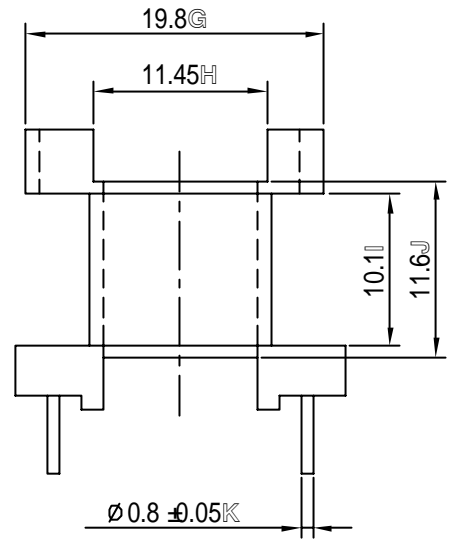
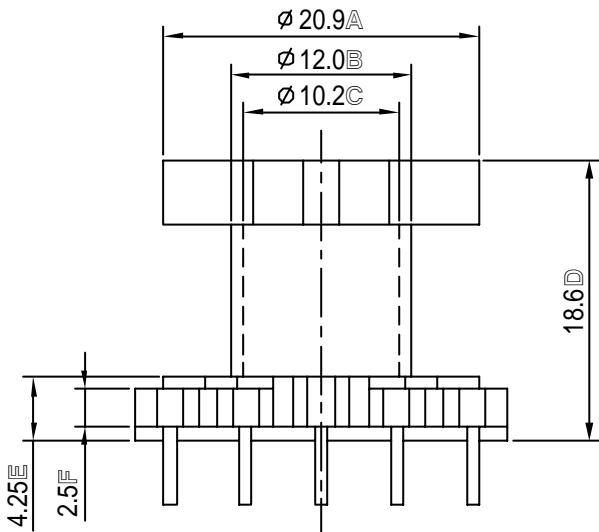
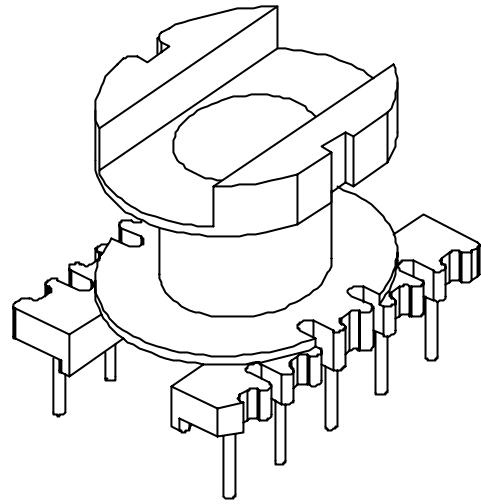
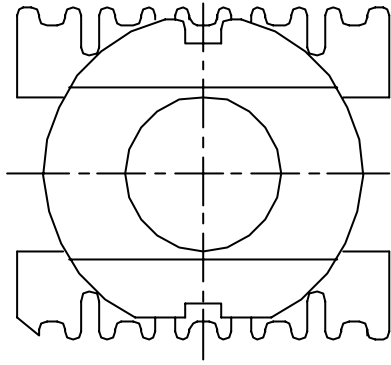
-D2-ER28-P11 -



REVISIONS				
ISSUE	SYM	DATE	DRAFTER	CHECKER
NOTE:				

 <b>樹林企業股份有限公司</b> TAIWAN SHULIN ENTERPRISE CO., LTD	MODEL		TF-2812	
	MATERIAL		PHENOLIC	
WEB:www.bobbin.com.tw	UL RATING	UL94V-0	TOLERANCE .X $\pm 0.2$ .XX $\pm 0.15$ PIN PITCH $\pm 0.1$	
e-mail:shulin@bobbin.com.tw	PIN MATERIAL	CP WIRE		
(TAIWAN TAIPEI) TEL:(886)2-2223-1500 FAX:(886)2-2222-4646	EDITION	2.0		
(CHINA DONGGUAN) TEL:(86)769-7730-785 FAX:(86)769-7312-387	DATE	2002/8/15	UNIT	MM
(CHINA SUZHOU) TEL:(86)512-6621-0580 FAX:(86)512-6621-0685	SCALE	1.5/1		

-D2-ER28-P12 -



REVISIONS				
ISSUE	SYM	DATE	DRAFTER	CHECKER

NOTE:



樹林企業股份有限公司

TAIWAN SHULIN ENTERPRISE CO., LTD

WEB:www.bobbin.com.tw

e-mail:shulin@bobbin.com.tw

(TAIWAN TAIPEI) TEL:(886)2-2223-1500 FAX:(886)2-2222-4646

(CHINA DONGGUAN) TEL:(86)769-7730-785 FAX:(86)769-7312-387

(CHINA SUZHOU) TEL:(86)512-6621-0580 FAX:(86)512-6621-0685

MODEL

TF-2813

MATERIAL

PHENOLIC

UL RATING

UL94V-0

TOLERANCE

PIN MATERIAL

CP WIRE

.X  $\pm 0.2$

.XX  $\pm 0.15$

EDITION

2.0

PIN PITCH  $\pm 0.1$

DATE

2002/8/15

SCALE

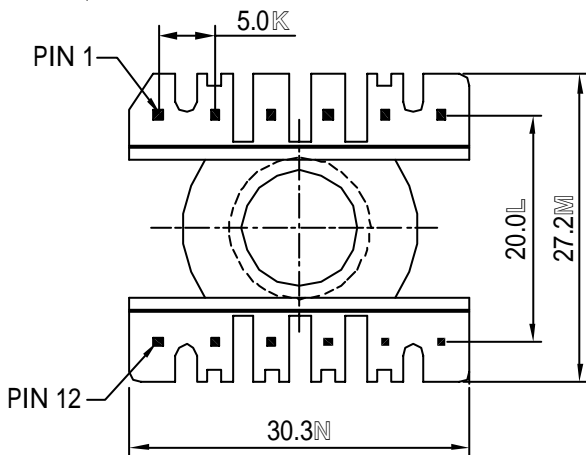
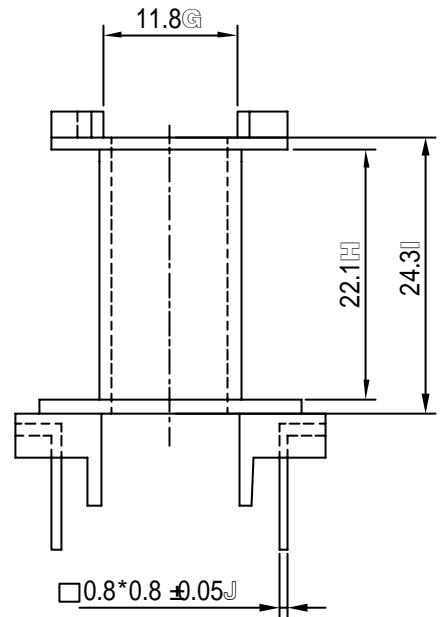
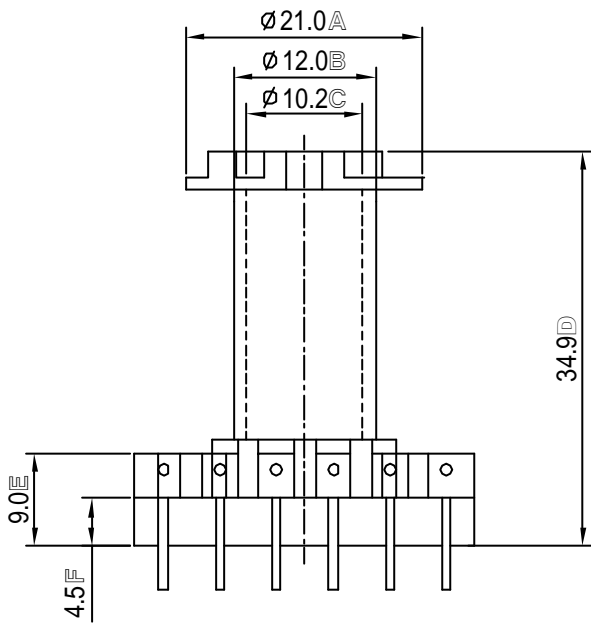
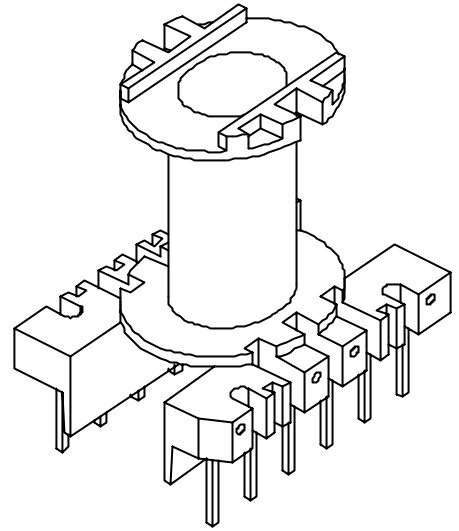
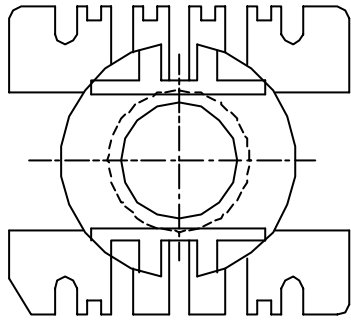
2/1

UNIT

MM

-D2-ER28-P13 -

本图面版权属台湾树林，本人仅将其汇总。不承担任何法律责任！！QQ：195502110



REVISIONS				
ISSUE	SYM	DATE	DRAFTER	CHECKER

NOTE:



**樹林企業股份有限公司**  
TAIWAN SHULIN ENTERPRISE CO., LTD

WEB: www.bobbin.com.tw

e-mail: shulin@bobbin.com.tw

(TAIWAN TAIPEI) TEL: (886)2-2223-1500 FAX: (886)2-2222-4646

(CHINA DONGGUAN) TEL: (86)769-7730-785 FAX: (86)769-7312-387

(CHINA SUZHOU) TEL: (86)512-6621-0580 FAX: (86)512-6621-0685

MODEL

TF-2814

MATERIAL

FR530

UL RATING

UL94V-0

TOLERANCE

PIN MATERIAL

PHOS.B

.X ±0.2

EDITION

2.0

.XX ±0.15

DATE

2002/8/15

PIN PITCH ±0.1

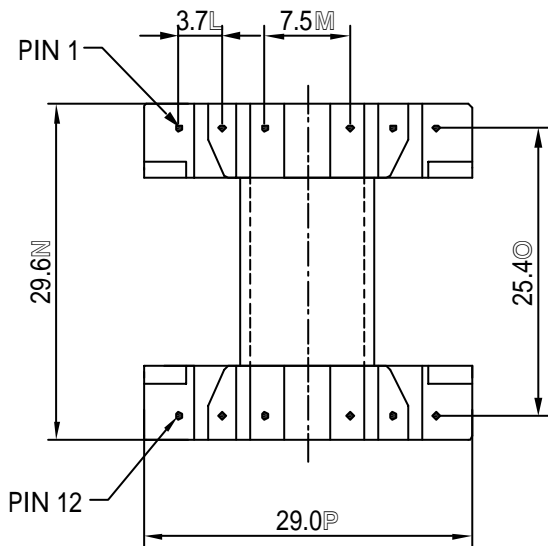
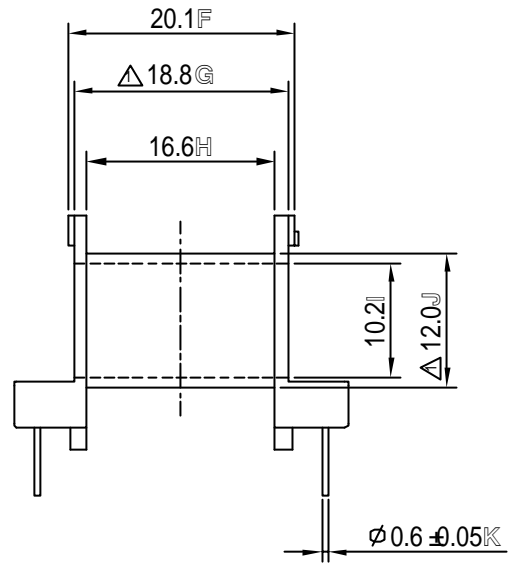
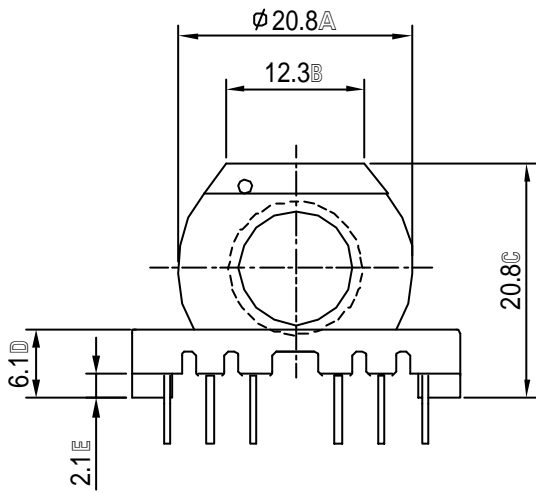
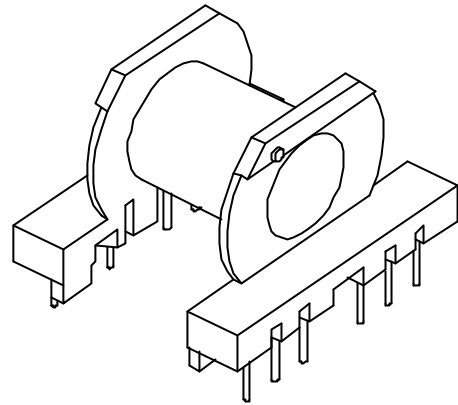
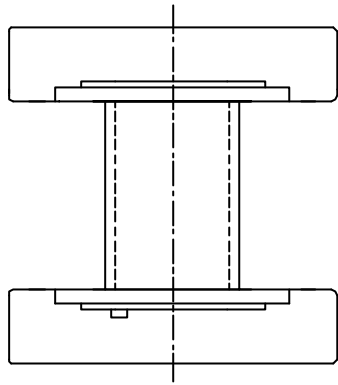
SCALE

1.5/1

UNIT

MM

-D2-ER28-P14 -

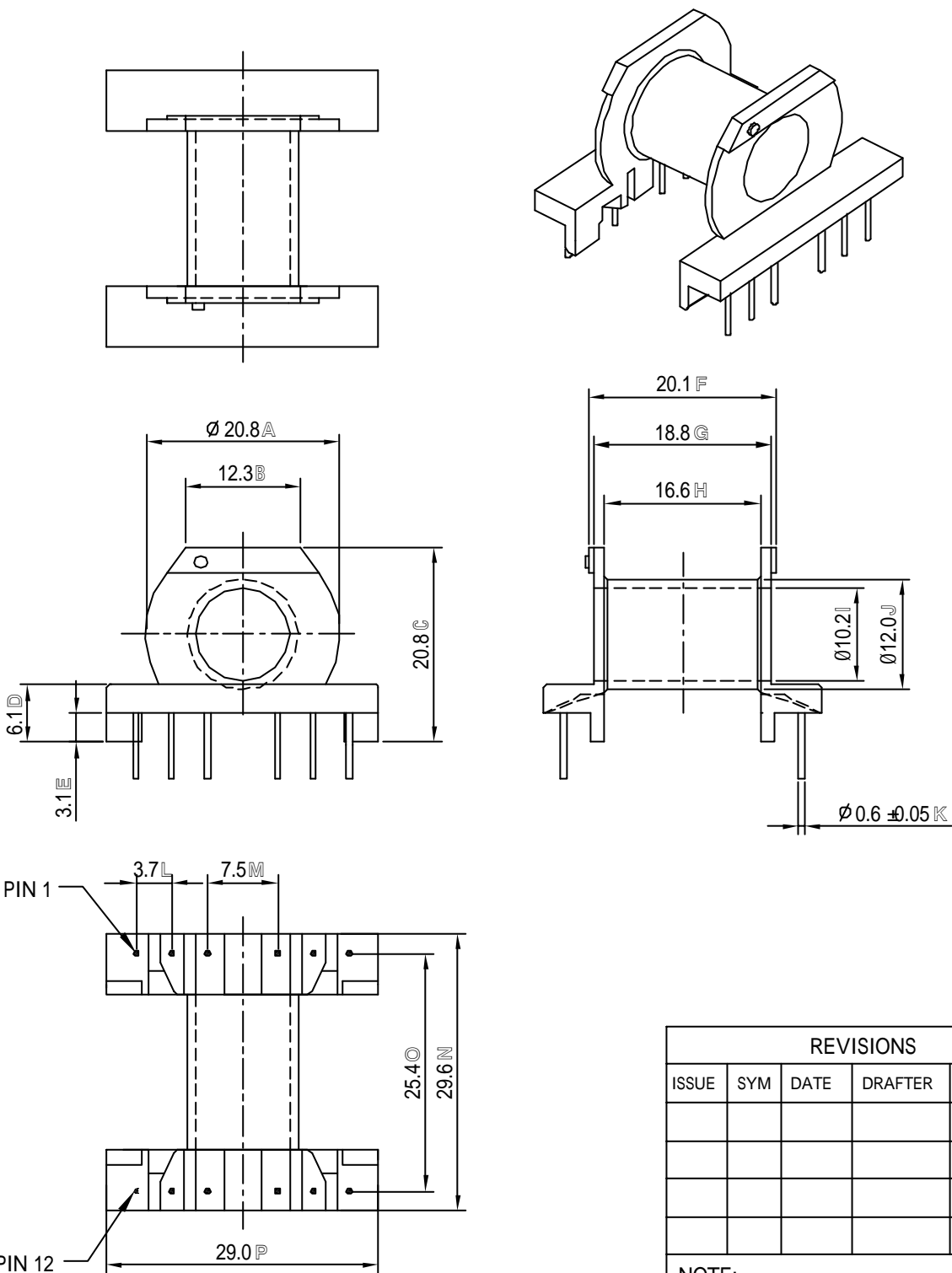


REVISIONS				
ISSUE	SYM	DATE	DRAFTER	CHECKER
1	$\Delta$	2002/12/19	LI HUA HONG	C.H.WANG
NOTE:				

 <b>樹林企業股份有限公司</b> TAIWAN SHULIN ENTERPRISE CO., LTD	MODEL		TF-2815	
	MATERIAL		PHENOLIC	
WEB:www.bobbin.com.tw	UL RATING	UL94V-0	TOLERANCE .X $\pm 0.2$ .XX $\pm 0.15$ PIN PITCH $\pm 0.1$	
e-mail:shulin@bobbin.com.tw	PIN MATERIAL	CP WIRE		
(TAIWAN TAIPEI) TEL:(886)2-2223-1500 FAX:(886)2-2222-4646	EDITION	2.0A		
(CHINA DONGGUAN) TEL:(86)769-7730-785 FAX:(86)769-7312-387	DATE	2002/12/19		
(CHINA SUZHOU) TEL:(86)512-6621-0580 FAX:(86)512-6621-0685	SCALE	1.5/1	UNIT	MM


-D2-ER28-P15 -



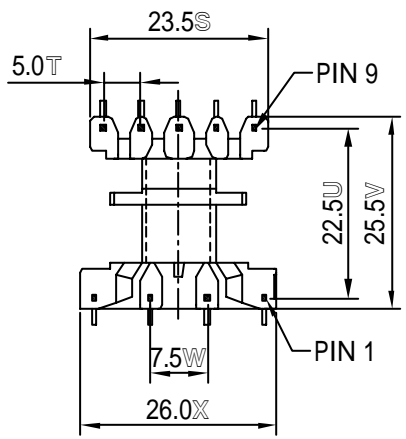
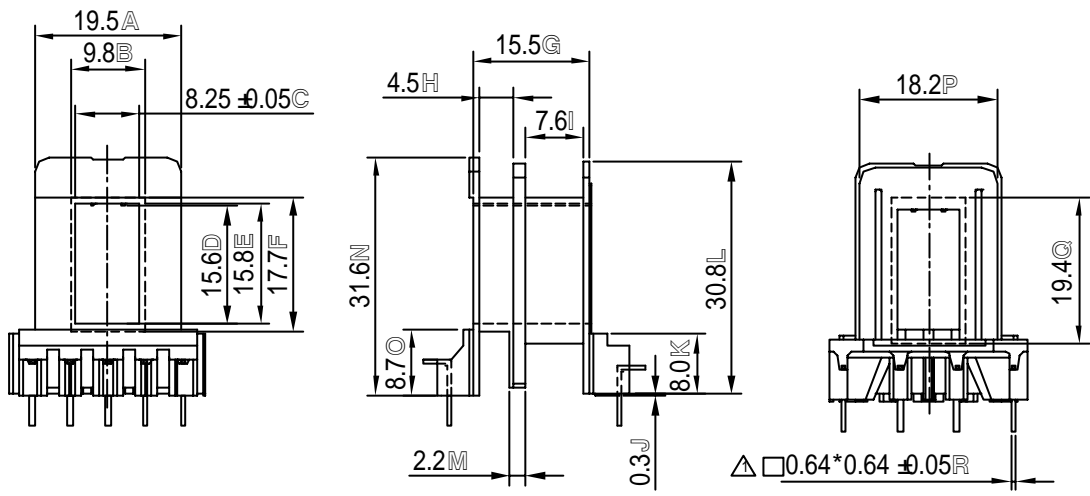
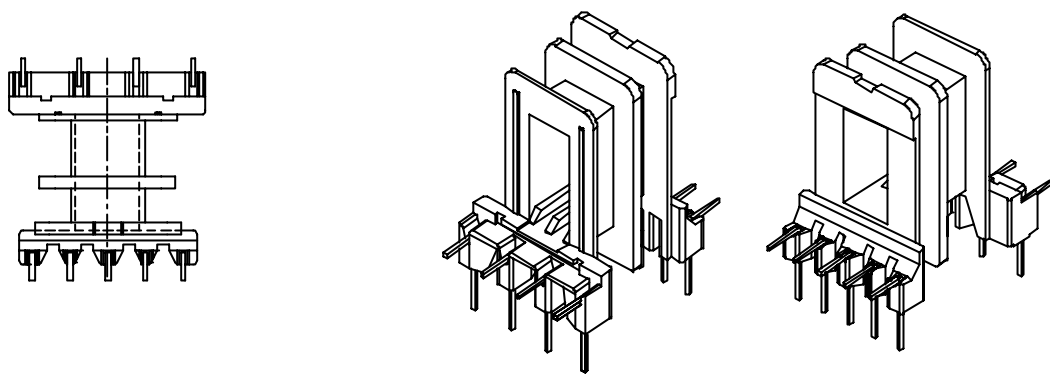


REVISIONS				
ISSUE	SYM	DATE	DRAFTER	CHECKER

NOTE:

 <b>樹林企業股份有限公司</b> TAIWAN SHULIN ENTERPRISE CO., LTD	MODEL		TF-2815-1	
	MATERIAL		PHENOLIC	
WEB: www.bobbin.com.tw	UL RATING	UL94V-0	TOLERANCE .X ±0.2 .XX ±0.15 PIN PITCH ±0.1	
e-mail: shulin@bobbin.com.tw	PIN MATERIAL	CP WIRE		
(TAIWAN TAIPEI) TEL: (886)2-2223-1500 FAX: (886)2-2222-4646	EDITION	1.0A		
(CHINA DONGGUAN) TEL: (86)769-7730-785 FAX: (86)769-7312-387	DATE	2003/10/11		
(CHINA SUZHOU) TEL: (86)512-6621-0580 FAX: (86)512-6621-0685	SCALE	1.5/1	UNIT	MM

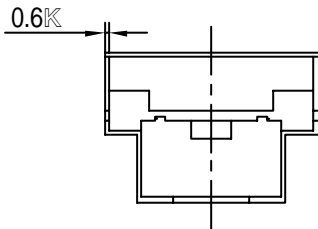
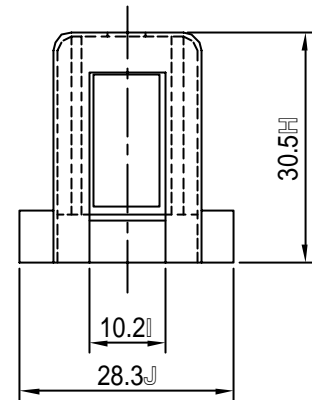
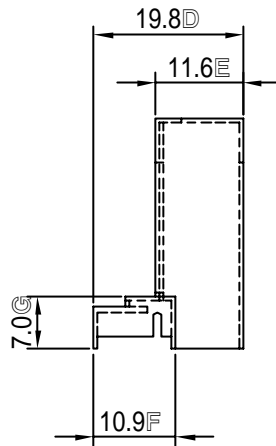
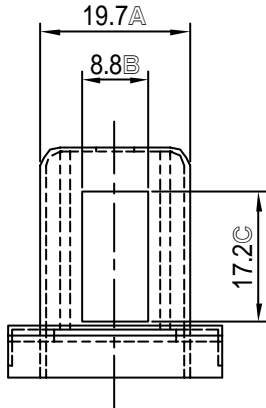
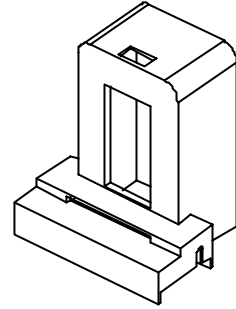
-D2-ER28-P16-



REVISIONS				
ISSUE	SYM	DATE	DRAFTER	CHECKER
1	△	2003/6/13	LI HUA HONG	C.H.WANG

NOTE:

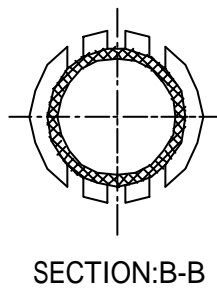
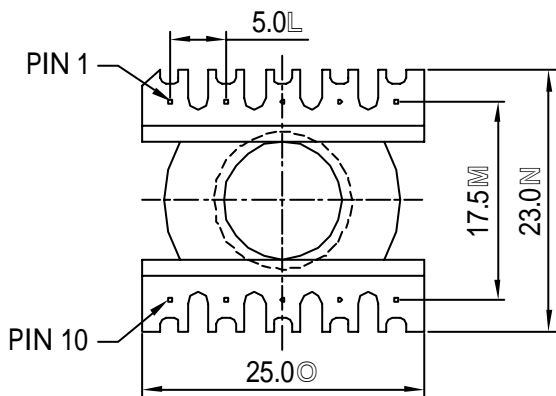
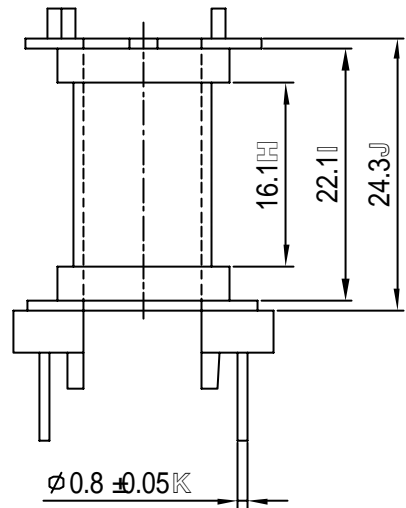
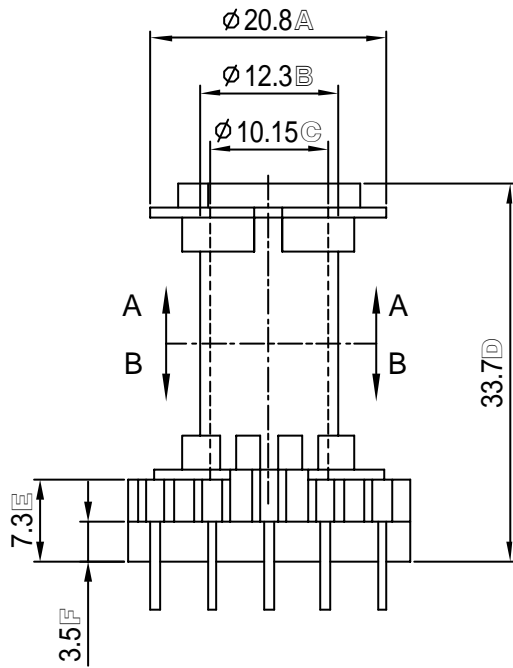
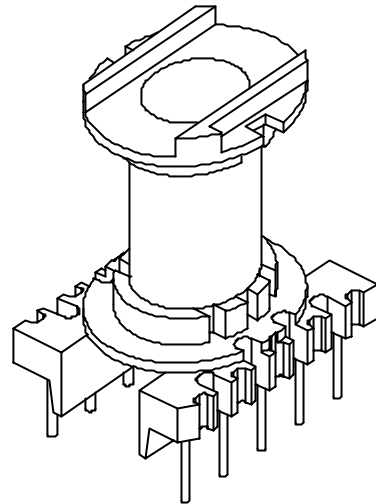
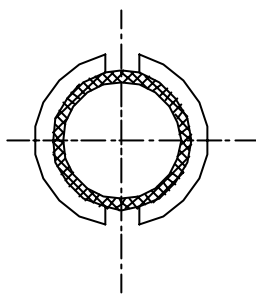
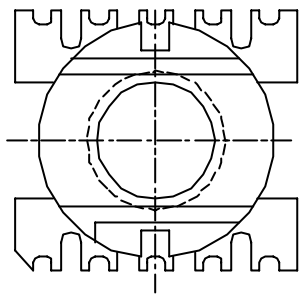
 <b>樹林企業股份有限公司</b> TAIWAN SHULIN ENTERPRISE CO., LTD	MODEL		TF-2816 BOBBIN	
	MATERIAL		PBT	
WEB:www.bobbin.com.tw	UL RATING	UL 94V-0	TOLERANCE .X ±0.2 .XX ±0.1 PIN PITCH ±0.1	
e-mail:shulin@bobbin.com.tw	PIN MATERIAL	PHOS.B		
(TAIWAN TAIPEI) TEL:(886)(02)2225-1278 FAX:(886)(02)2222-4646	EDITION	1.0 A		
(CHINA DONGGUAN) TEL:(86)769-7730-785 FAX:(86)769-7312-387	DATE	2003/6/13		
(CHINA SUZHOU) TEL:(86)512-6621-0580 FAX:(86)512-6621-0685	SCALE	1/1	UNIT	MM



REVISIONS				
ISSUE	SYM	DATE	DRAFTER	CHECKER
NOTE:				

 <b>樹林企業股份有限公司</b> TAIWAN SHULIN ENTERPRISE CO., LTD	MODEL		TF-2816 CASE	
	MATERIAL		NYLON 66	
WEB:www.bobbin.com.tw	UL RATING	UL 94V-0	TOLERANCE .X ±0.2 .XX ±0.15 PIN PITCH ±0.1	
e-mail:shulin@bobbin.com.tw	PIN MATERIAL			
(TAIWAN TAIPEI) TEL:(886)(02)2225-1278 FAX:(886)(02)2222-4646	EDITION	1.0		
(CHINA DONGGUAN) TEL:(86)769-7730-785 FAX:(86)769-7312-387	DATE	2002/10/2	UNIT	MM
(CHINA SUZHOU) TEL:(86)512-6621-0580 FAX:(86)512-6621-0685	SCALE	1/1		

-D1-E28-P10 -



REVISIONS				
ISSUE	SYM	DATE	DRAFTER	CHECKER

NOTE:



樹林企業股份有限公司

TAIWAN SHULIN ENTERPRISE CO., LTD

WEB:www.bobbin.com.tw

e-mail:shulin@bobbin.com.tw

(TAIWAN TAIPEI) TEL:(886)2-2223-1500 FAX:(886)2-2222-4646

(CHINA DONGGUAN) TEL:(86)769-7730-785 FAX:(86)769-7312-387

(CHINA SUZHOU) TEL:(86)512-6621-0580 FAX:(86)512-6621-0685

MODEL

TF-2817

MATERIAL

PHENOLIC

UL RATING

UL94V-0

PIN MATERIAL

CP WIRE

EDITION

1.0

DATE

2003/3/23

SCALE

1/1

TOLERANCE

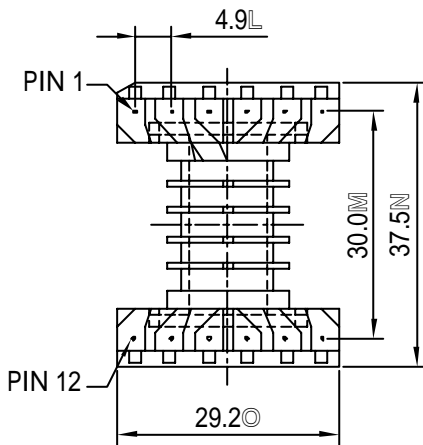
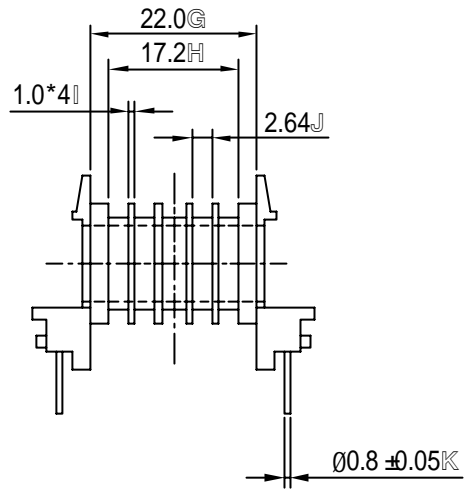
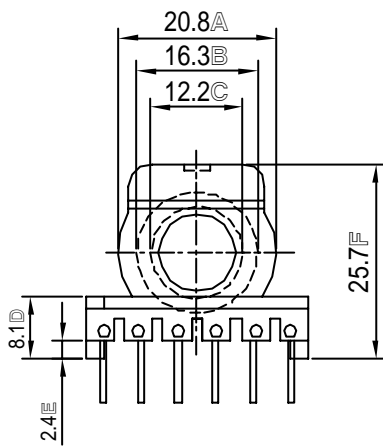
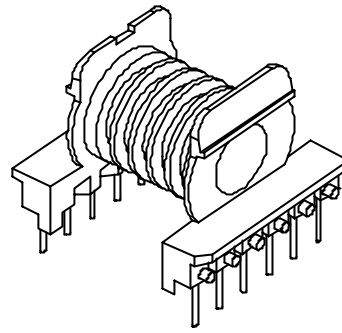
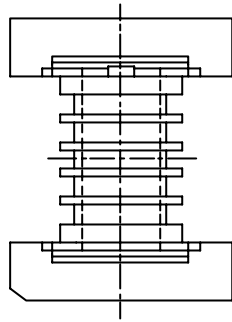
.X  $\pm 0.2$

.XX  $\pm 0.15$

PIN PITCH  $\pm 0.1$

UNIT

MM



REVISIONS				
ISSUE	SYM	DATE	DRAFTER	CHECKER

NOTE:



**樹林企業股份有限公司**  
TAIWAN SHULIN ENTERPRISE CO., LTD

MODEL

TF-2818

MATERIAL

PHENOLIC

WEB: [www.bobbin.com.tw](http://www.bobbin.com.tw)

UL RATING

UL94V-0

TOLERANCE

e-mail: [shulin@bobbin.com.tw](mailto:shulin@bobbin.com.tw)

PIN MATERIAL

CP WIRE

.X ±0.2

(TAIWAN TAIPEI) TEL:(886)2-2223-1500 FAX:(886)2-2222-4646

EDITION

2.0

.XX ±0.15

(CHINA DONGGUAN) TEL:(86)769-7730-785 FAX:(86)769-7312-387

DATE

2002/8/15

PIN PITCH ±0.1

(CHINA SUZHOU) TEL:(86)512-6621-0580 FAX:(86)512-6621-0685

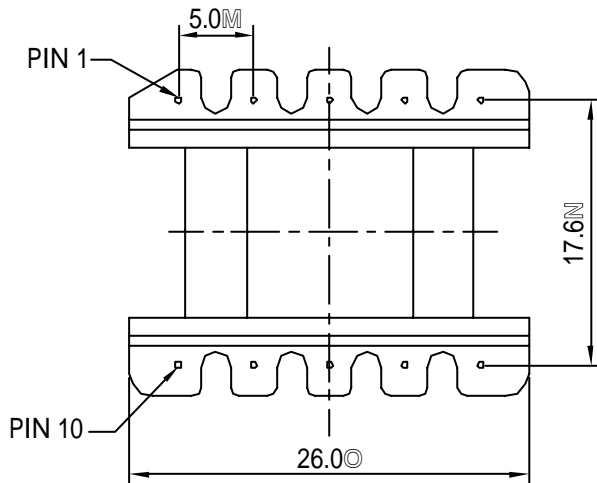
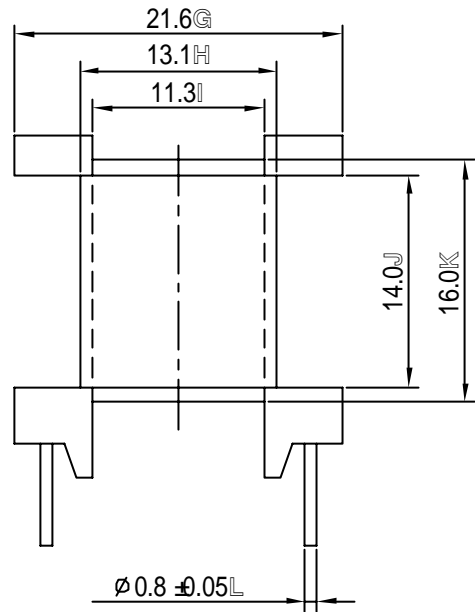
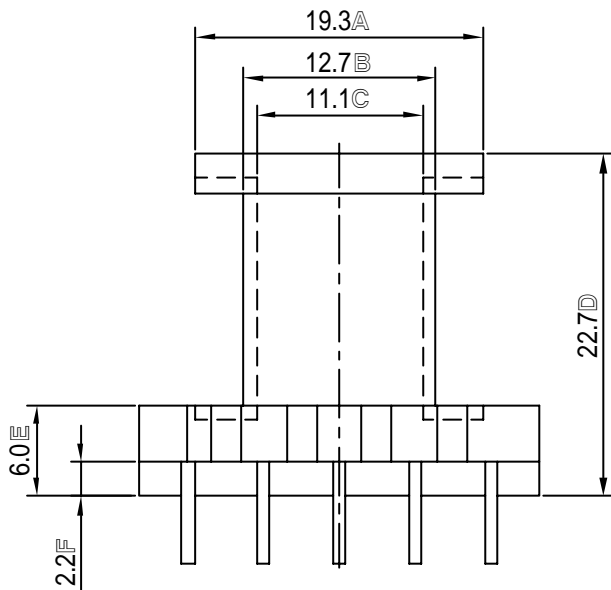
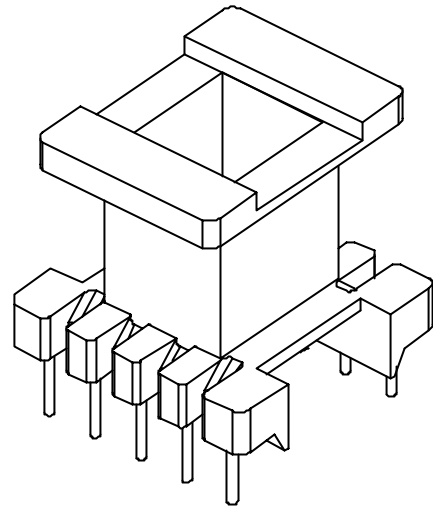
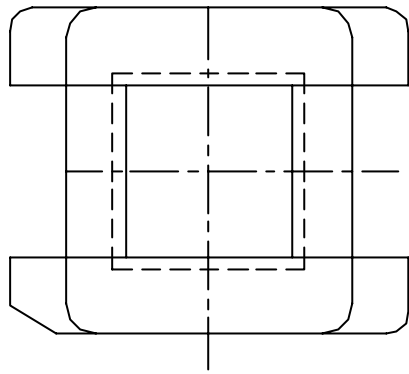
SCALE

1/1

UNIT

MM

-D2-ER28-P18 -



REVISIONS				
ISSUE	SYM	DATE	DRAFTER	CHECKER

NOTE:



**樹林企業股份有限公司**  
TAIWAN SHULIN ENTERPRISE CO., LTD

WEB: www.bobbin.com.tw

e-mail: shulin@bobbin.com.tw

(TAIWAN TAIPEI) TEL: (886)2-2223-1500 FAX: (886)2-2222-4646

(CHINA DONGGUAN) TEL: (86)769-7730-785 FAX: (86)769-7312-387

(CHINA SUZHOU) TEL: (86)512-6621-0580 FAX: (86)512-6621-0685

MODEL

TF-3001

MATERIAL

PHENOLIC

UL RATING

UL94V-0

PIN MATERIAL

CP WIRE

EDITION

2.0

DATE

2002/8/15

SCALE

2/1

TOLERANCE

.X  $\pm 0.2$

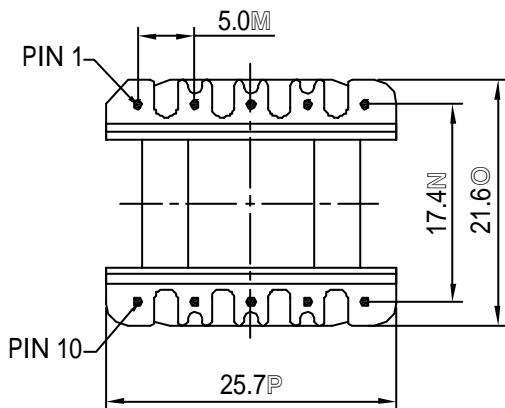
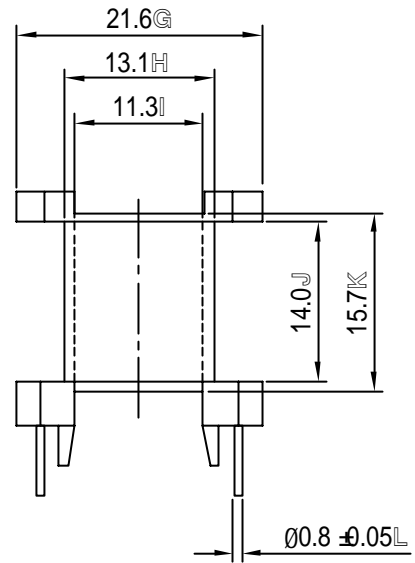
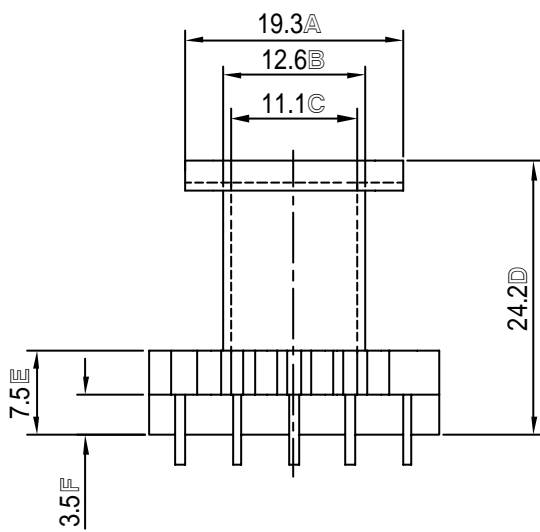
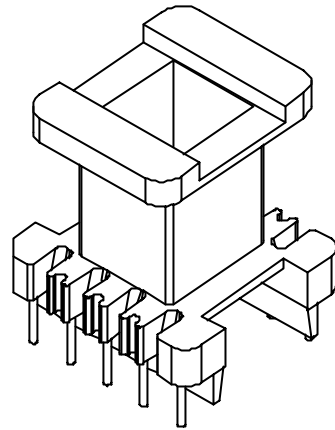
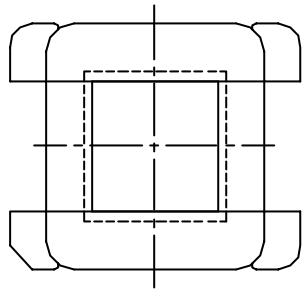
.XX  $\pm 0.15$

PIN PITCH  $\pm 0.1$

UNIT

MM

-D1-E30-P01 -

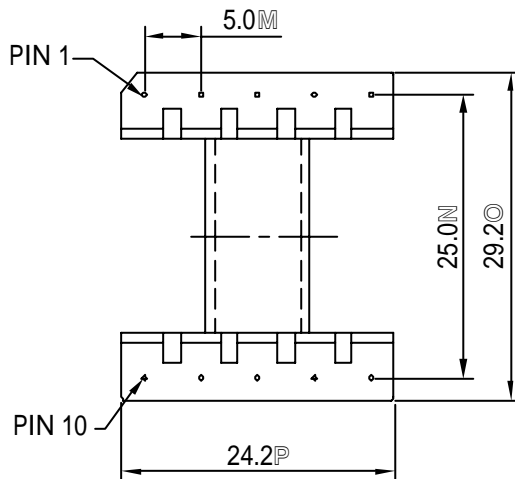
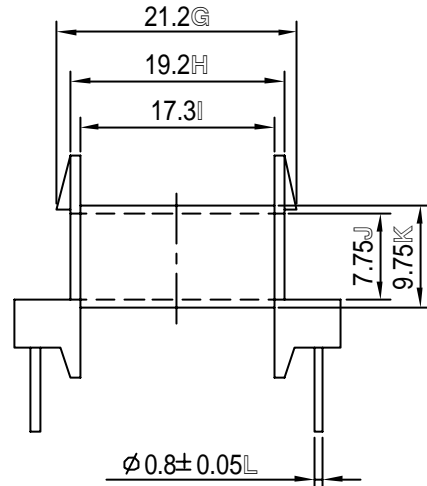
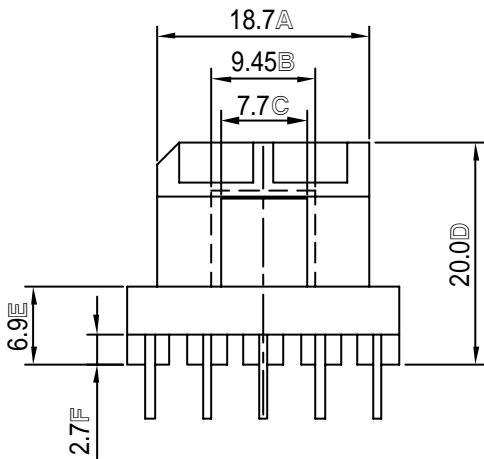
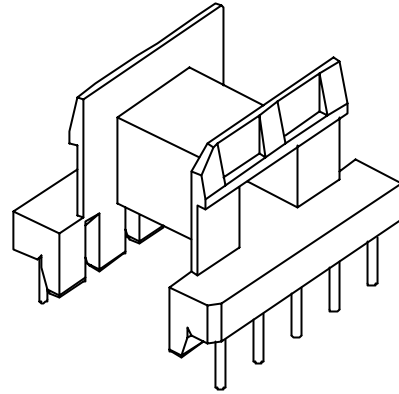
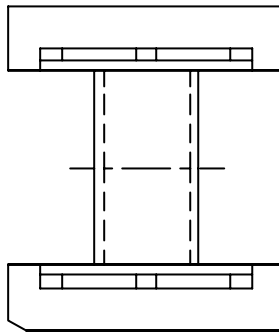


REVISIONS				
ISSUE	SYM	DATE	DRAFTER	CHECKER

NOTE:

 <b>樹林企業股份有限公司</b> TAIWAN SHULIN ENTERPRISE CO., LTD	MODEL		TF-3001-1	
	MATERIAL		PHENOLIC	
WEB:www.bobbin.com.tw	UL RATING	UL94V-0	TOLERANCE  .X $\pm 0.2$ .XX $\pm 0.15$ PIN PITCH $\pm 0.1$	
e-mail:shulin@bobbin.com.tw	PIN MATERIAL	CP WIRE		
(TAIWAN TAIPEI) TEL:(886)2-2223-1500 FAX:(886)2-2222-4646	EDITION	2.0		
(CHINA DONGGUAN) TEL:(86)769-7730-785 FAX:(86)769-7312-387	DATE	2002/8/15		
(CHINA SUZHOU) TEL:(86)512-6621-0580 FAX:(86)512-6621-0685	SCALE	1.5/1	UNIT	MM

-D1-E30-P02 -



REVISIONS				
ISSUE	SYM	DATE	DRAFTER	CHECKER

NOTE:



**樹林企業股份有限公司**  
TAIWAN SHULIN ENTERPRISE CO., LTD

MODEL

TF-3003

MATERIAL

PHENOLIC

WEB: www.bobbin.com.tw

UL RATING

UL94V-0

TOLERANCE

e-mail: shulin@bobbin.com.tw

PIN MATERIAL

CP WIRE

.X ±0.2

(TAIWAN TAIPEI) TEL: (886)2-2223-1500 FAX: (886)2-2222-4646

EDITION

2.0

.XX ±0.15

(CHINA DONGGUAN) TEL: (86)769-7730-785 FAX: (86)769-7312-387

DATE

2002/8/15

PIN PITCH ±0.1

(CHINA SUZHOU) TEL: (86)512-6621-0580 FAX: (86)512-6621-0685

SCALE

1.5/1

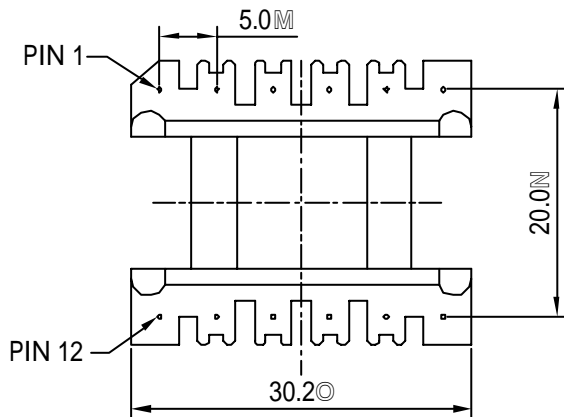
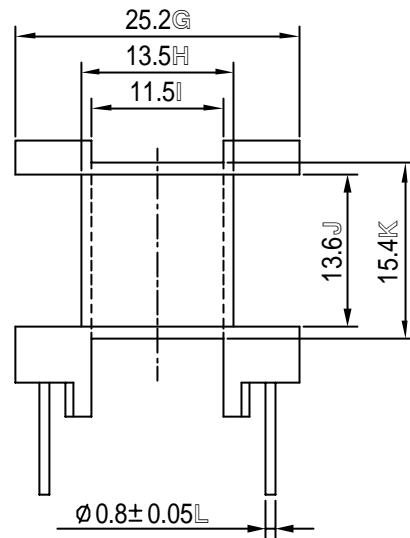
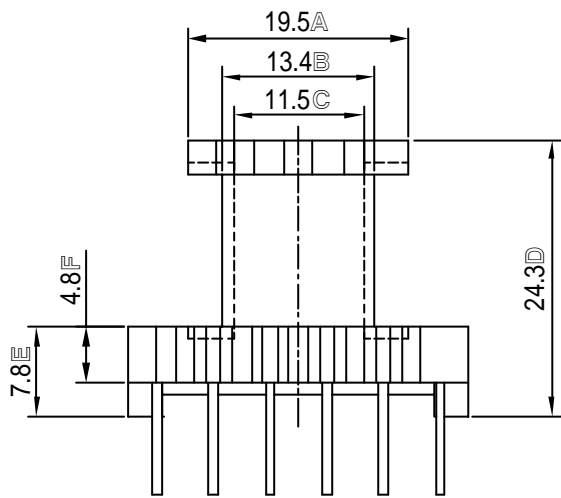
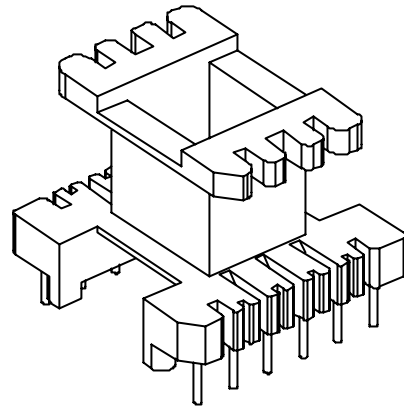
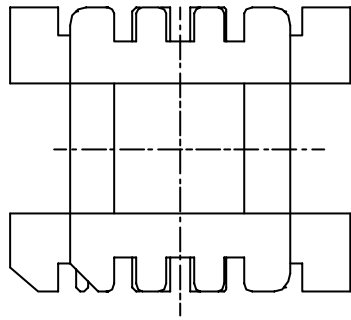
UNIT

MM

-D1-E30-P03 -

本图面版权属台湾树林，本人仅将其汇总。不承担任何法律责任！！QQ: 195502110



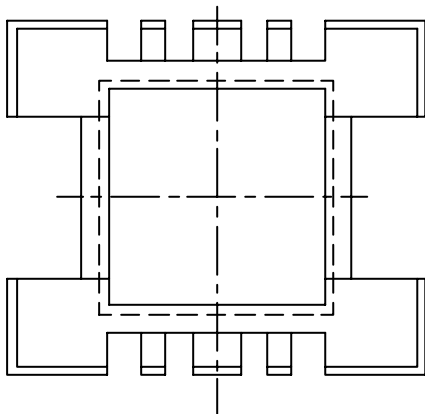
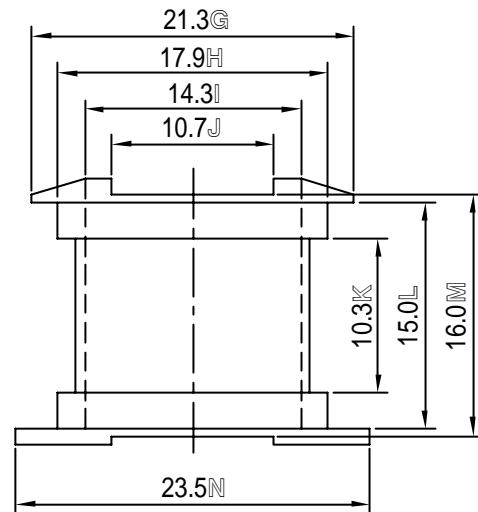
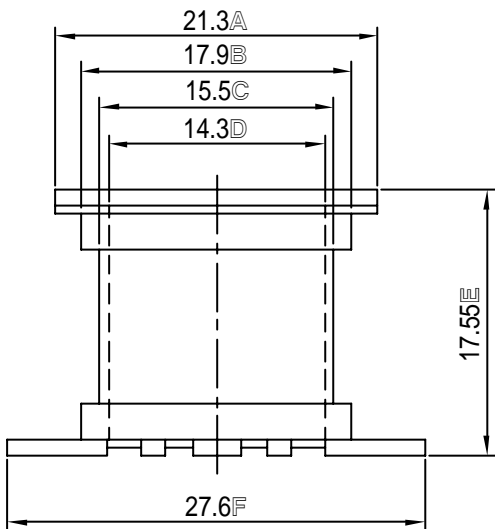
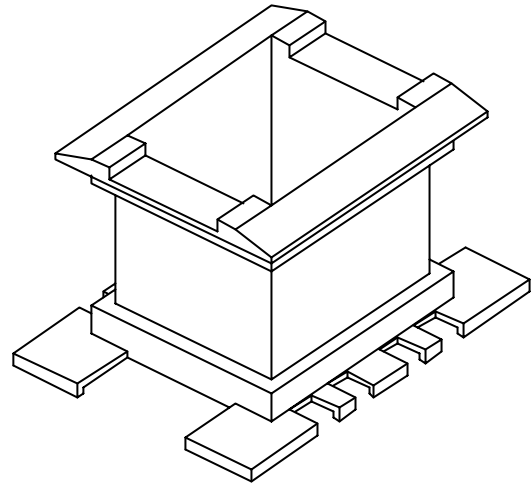
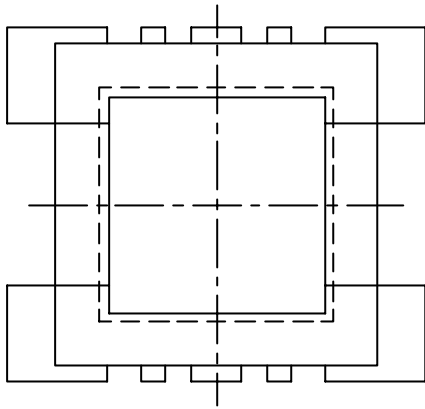


REVISIONS				
ISSUE	SYM	DATE	DRAFTER	CHECKER

NOTE:

 <b>樹林企業股份有限公司</b> TAIWAN SHULIN ENTERPRISE CO., LTD	MODEL	TF-3004		
	MATERIAL	PHENOLIC		
WEB: <a href="http://www.bobbin.com.tw">www.bobbin.com.tw</a>	UL RATING	UL94V-0	TOLERANCE $.X \pm 0.2$ $.XX \pm 0.15$ PIN PITCH $\pm 0.1$	
e-mail: <a href="mailto:shulin@bobbin.com.tw">shulin@bobbin.com.tw</a>	PIN MATERIAL	CP WIRE		
(TAIWAN TAIPEI) TEL: (886)2-2223-1500 FAX: (886)2-2222-4646	EDITION	2.0		
(CHINA DONGGUAN) TEL: (86)769-7730-785 FAX: (86)769-7312-387	DATE	2002/8/15		
(CHINA SUZHOU) TEL: (86)512-6621-0580 FAX: (86)512-6621-0585	SCALE	1/1	UNIT	MM

-D1-E30-P05 -

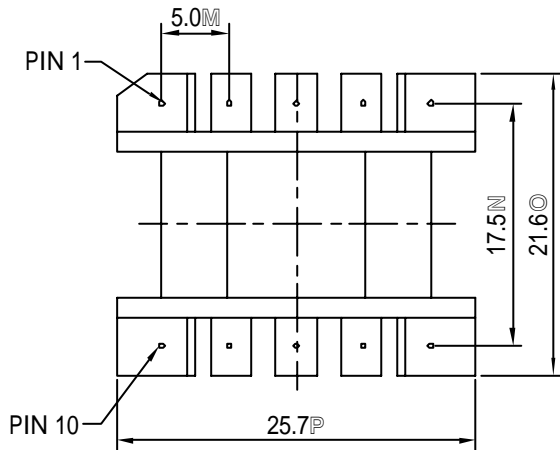
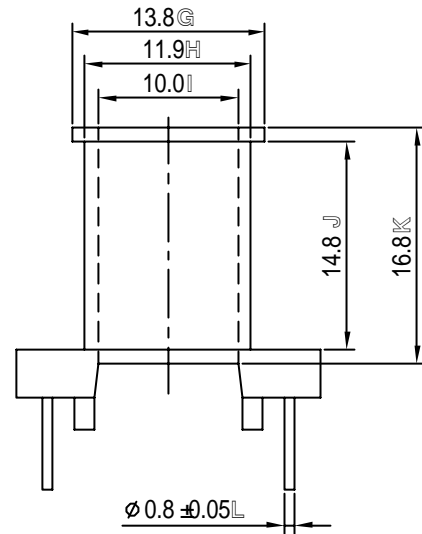
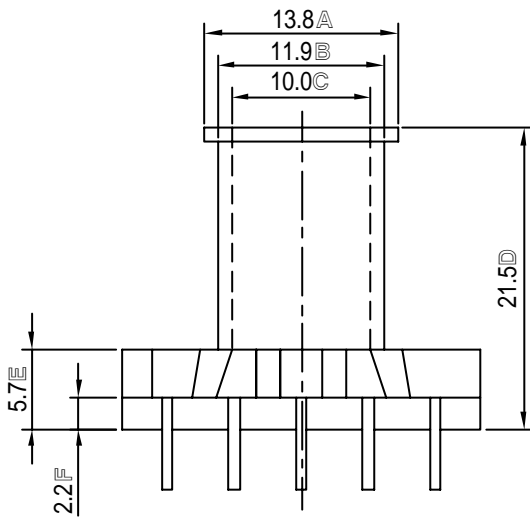
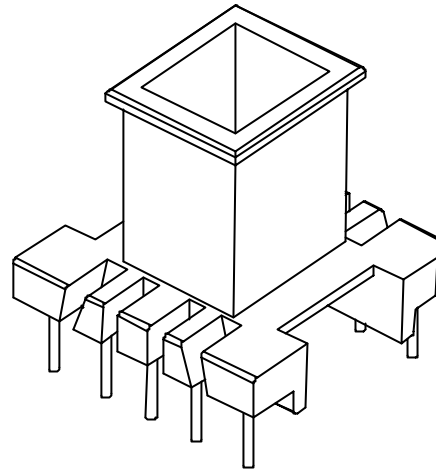
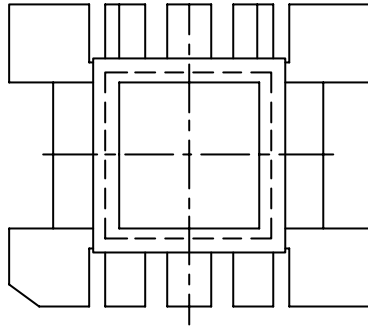


REVISIONS				
ISSUE	SYM	DATE	DRAFTER	CHECKER

NOTE:

 <b>樹林企業股份有限公司</b> TAIWAN SHULIN ENTERPRISE CO., LTD	MODEL	TF-3005 COVER		
	MATERIAL	PET		
WEB: www.bobbin.com.tw	UL RATING	UL94V-0	TOLERANCE .X ±0.2 .XX ±0.15 PIN PITCH ±0.1	
e-mail: shulin@bobbin.com.tw	PIN MATERIAL	CP WIRE		
(TAIWAN TAIPEI) TEL: (886)2-2223-1500 FAX: (886)2-2222-4646	EDITION	2.0		
(CHINA DONGGUAN) TEL: (86)769-7730-785 FAX: (86)769-7312-387	DATE	2002/8/15		
(CHINA SUZHOU) TEL: (86)512-6621-0580 FAX: (86)512-6621-0685	SCALE	2/1	UNIT	MM

-D1-E30-P07 -



REVISIONS				
ISSUE	SYM	DATE	DRAFTER	CHECKER

NOTE:



樹林企業股份有限公司

TAIWAN SHULIN ENTERPRISE CO., LTD

MODEL

TF-3005

MATERIAL

PHENOLIC

WEB:www.bobbin.com.tw

UL RATING

UL94V-0

TOLERANCE

e-mail:shulin@bobbin.com.tw

PIN MATERIAL

CP WIRE

.X  $\pm 0.2$

(TAIWAN TAIPEI) TEL:(886)2-2223-1500 FAX:(886)2-2222-4646

EDITION

2.0

.XX  $\pm 0.15$

(CHINA DONGGUAN) TEL:(86)769-7730-785 FAX:(86)769-7312-387

DATE

2002/8/15

PIN PITCH  $\pm 0.1$

(CHINA SUZHOU) TEL:(86)512-6621-0580 FAX:(86)512-6621-0685

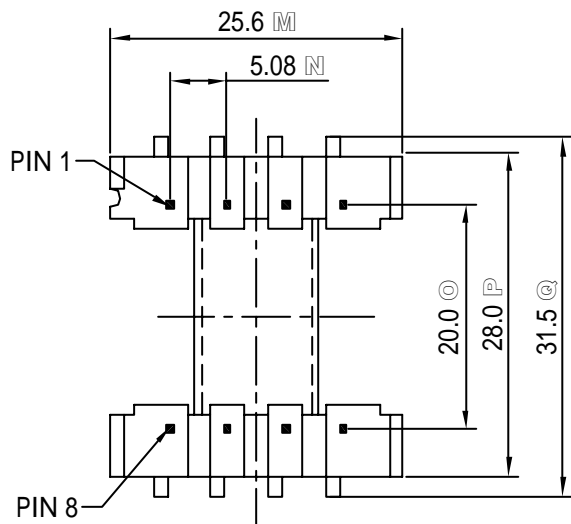
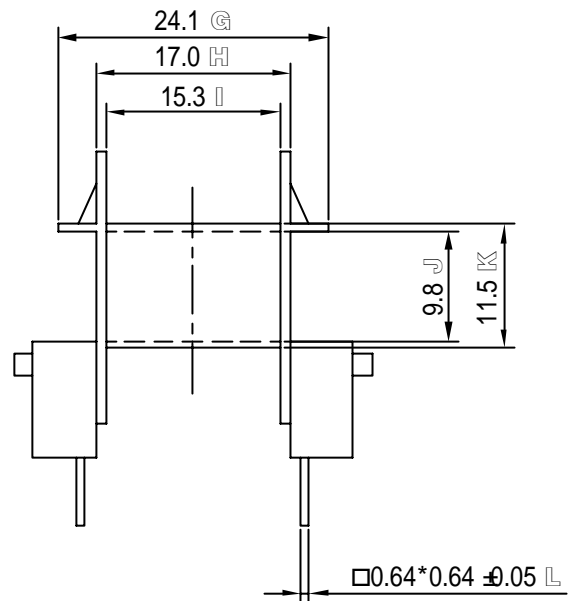
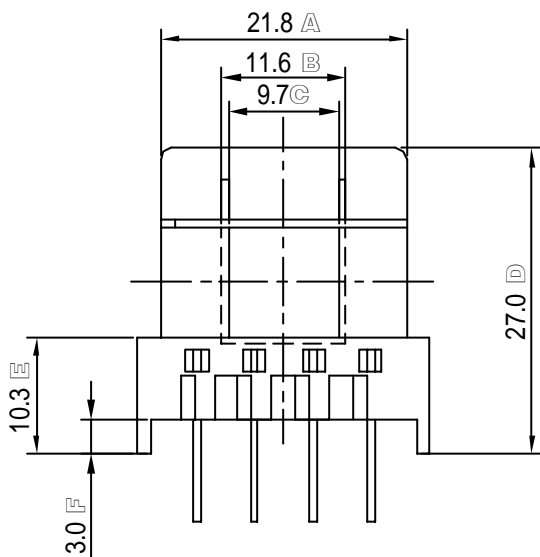
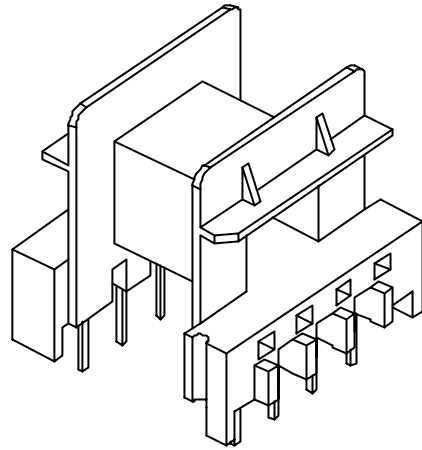
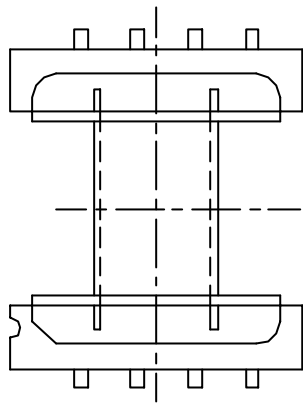
SCALE

2/1

UNIT

MM

-D1-E30-P06-

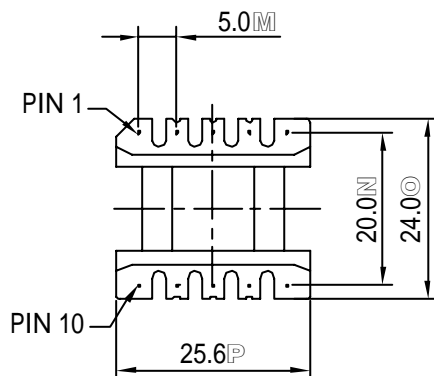
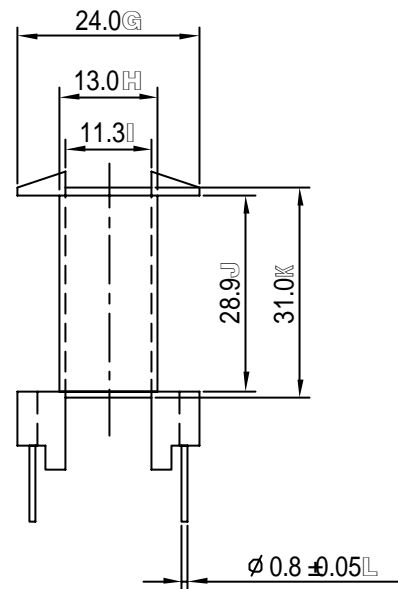
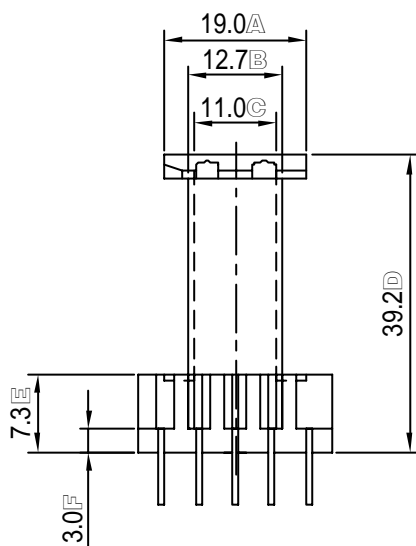
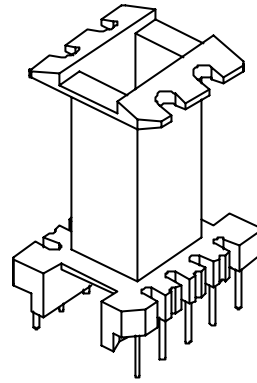
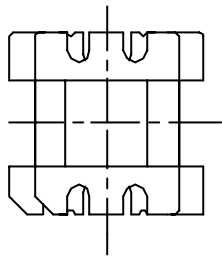


REVISIONS				
ISSUE	SYM	DATE	DRAFTER	CHECKER

NOTE:

 <b>樹林企業股份有限公司</b> TAIWAN SHULIN ENTERPRISE CO., LTD	MODEL	TF-3006		
	MATERIAL	NYLON		
WEB:www.bobbin.com.tw	UL RATING	UL94V-0	TOLERANCE .X ±0.2 .XX ±0.15 PIN PITCH ±0.1	
e-mail:shulin@bobbin.com.tw	PIN MATERIAL	PHOS.B		
(TAIWAN TAIPEI) TEL:(886)2-2223-1500 FAX:(886)2-2222-4646	EDITION	2.0		
(CHINA DONGGUAN) TEL:(86)769-7730-785 FAX:(86)769-7312-387	DATE	2002/8/15	UNIT	MM
(CHINA SUZHOU) TEL:(86)512-6621-0580 FAX:(86)512-6621-0685	SCALE	1.5/1		

-D1-E30-P08 -

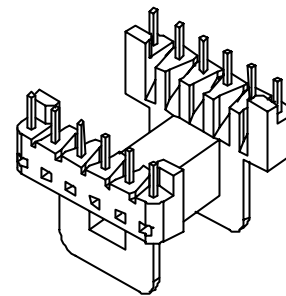
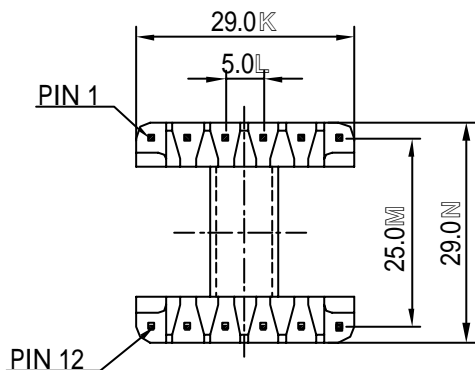
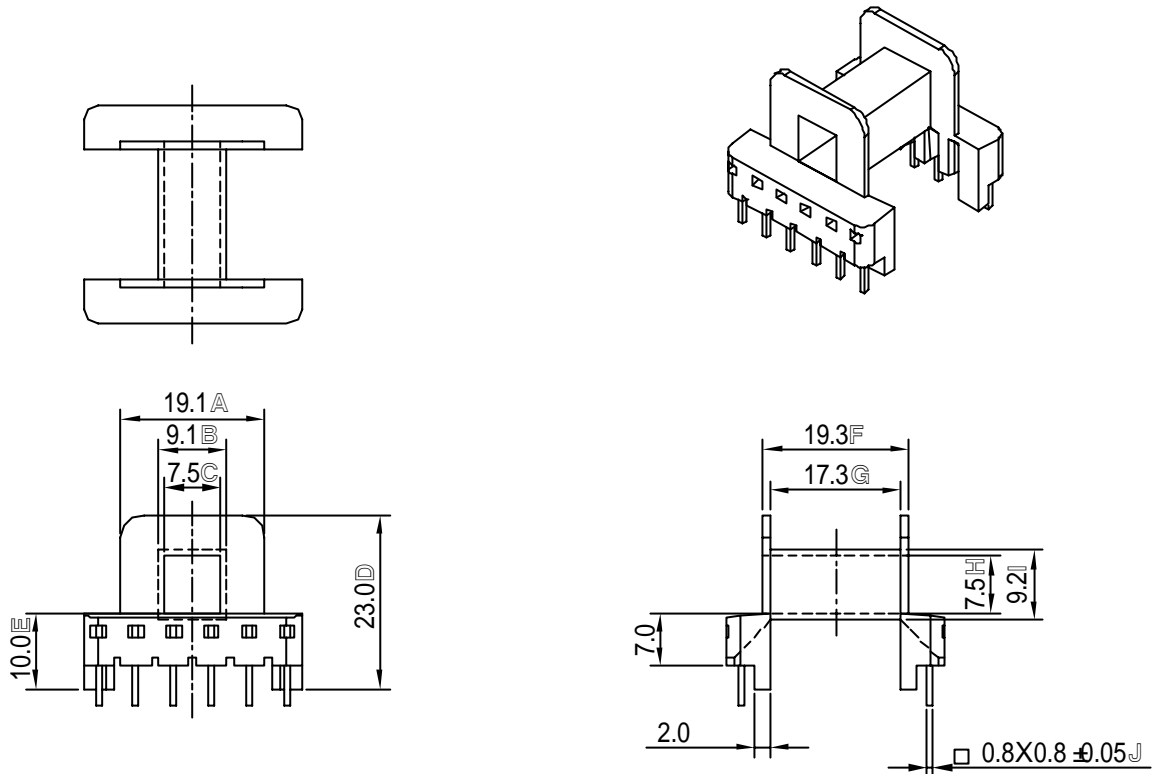


REVISIONS				
ISSUE	SYM	DATE	DRAFTER	CHECKER

NOTE:

 <b>樹林企業股份有限公司</b> TAIWAN SHULIN ENTERPRISE CO., LTD	MODEL		TF-3007	
	MATERIAL		PHENOLIC	
WEB:www.bobbin.com.tw	UL RATING	UL94V-0	TOLERANCE  .X $\pm 0.2$ .XX $\pm 0.15$ PIN PITCH $\pm 0.1$	
e-mail:shulin@bobbin.com.tw	PIN MATERIAL	CP WIRE		
(TAIWAN TAIPEI) TEL:(886)2-2223-1500 FAX:(886)2-2222-4646	EDITION	2.0		
(CHINA DONGGUAN) TEL:(86)769-7730-785 FAX:(86)769-7312-387	DATE	2002/8/15		
(CHINA SUZHOU) TEL:(86)512-6621-0580 FAX:(86)512-6621-0685	SCALE	1/1	UNIT	MM

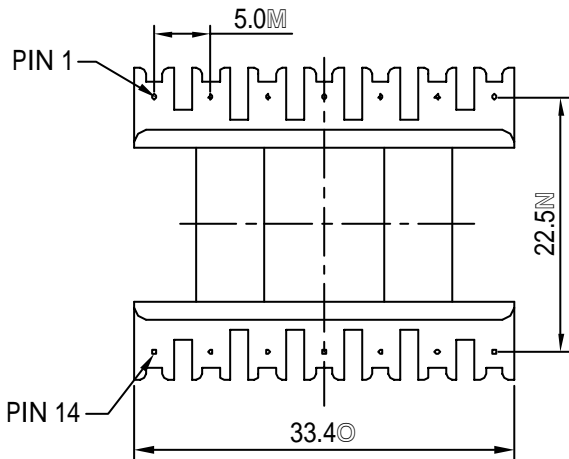
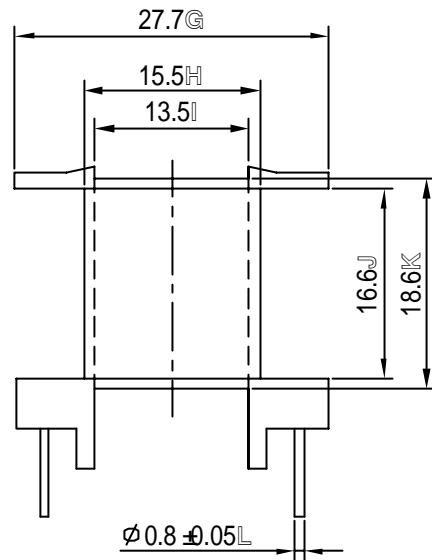
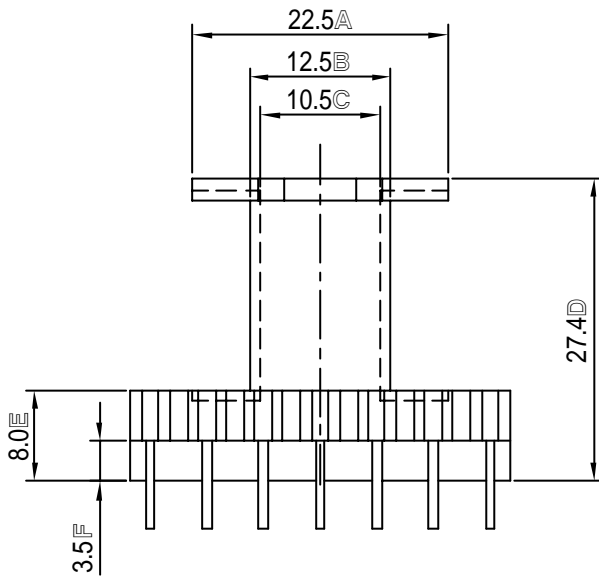
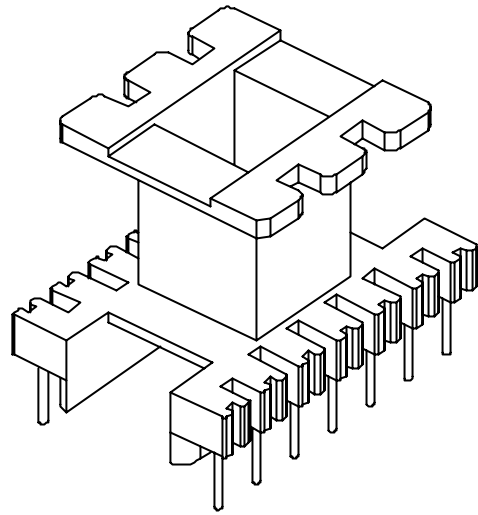
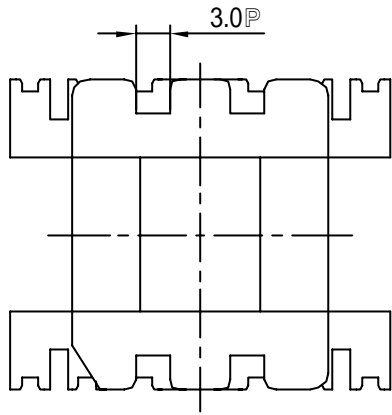
-D1-E30-P09 -



REVISIONS				
ISSUE	SYM	DATE	DRAFTER	CHECKER
NOTE:				

 <b>樹林企業股份有限公司</b> TAIWAN SHULIN ENTERPRISE CO., LTD	MODEL		TF-3008	
	MATERIAL		PHENOLIC	
WEB:www.bobbin.com.tw	UL RATING	UL94V-0	TOLERANCE .XX ±0.2 .XXX ±0.15 PIN PITCH ±0.1	
e-mail:shulin@bobbin.com.tw	PIN MATERIAL	PHOS.B		
(TAIWAN TAIPEI) TEL:(886)2-2223-1500 FAX:(886)2-2222-4646	EDITION	1.0		
(CHINA DONGGUAN) TEL:(86)769-7730-785 FAX:(86)769-7312-387	DATE	2002/8/31	UNIT	MM
(CHINA SUZHOU) TEL:(86)512-6621-0580 FAX:(86)512-6621-0685	SCALE	1/1		

-D1-E30-P10 -



REVISIONS				
ISSUE	SYM	DATE	DRAFTER	CHECKER

NOTE:



樹林企業股份有限公司

TAIWAN SHULIN ENTERPRISE CO., LTD

WEB: [www.bobbin.com.tw](http://www.bobbin.com.tw)

e-mail: [shulin@bobbin.com.tw](mailto:shulin@bobbin.com.tw)

(TAIWAN TAIPEI) TEL: (886)2-2223-1500 FAX: (886)2-2222-4646

(CHINA DONGGUAN) TEL: (86)769-7730-785 FAX: (86)769-7312-387

(CHINA SUZHOU) TEL: (86)512-6621-0580 FAX: (86)512-6621-0685

MODEL

TF-3301

MATERIAL

PHENOLIC

UL RATING

UL94V-0

TOLERANCE

PIN MATERIAL

CP WIRE

.X  $\pm 0.2$

EDITION

2.0

.XX  $\pm 0.15$

DATE

2002/8/15

PIN PITCH  $\pm 0.1$

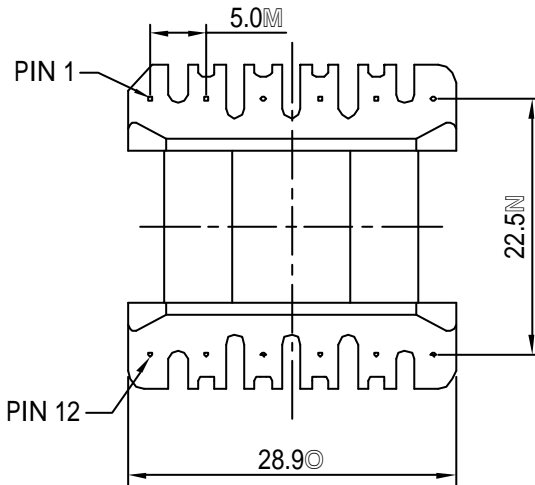
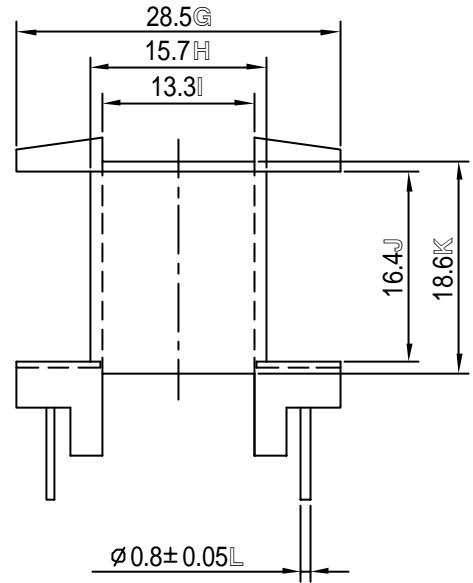
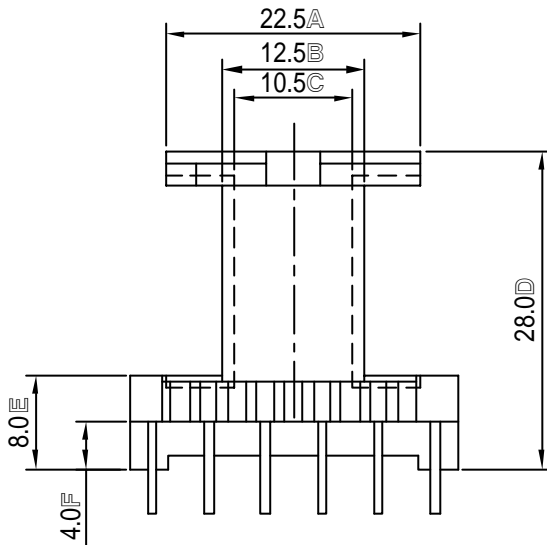
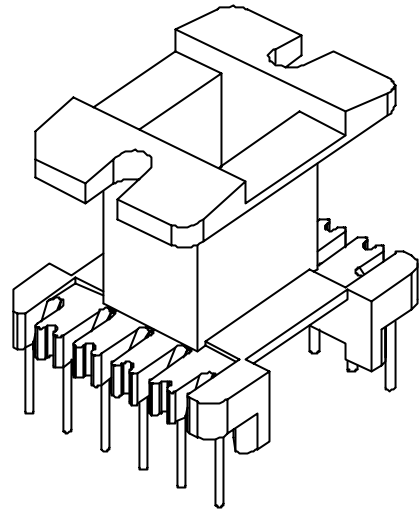
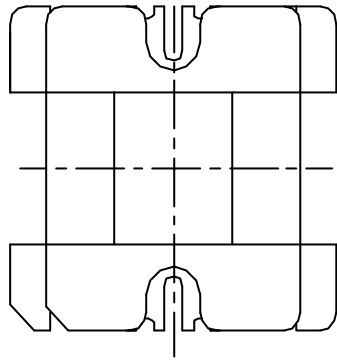
SCALE

1.5/1

UNIT

MM

-D1-E33-P01 -



REVISIONS				
ISSUE	SYM	DATE	DRAFTER	CHECKER

NOTE:



樹林企業股份有限公司

TAIWAN SHULIN ENTERPRISE CO., LTD

WEB: www.bobbin.com.tw

e-mail: shulin@bobbin.com.tw

(TAIWAN TAIPEI) TEL: (886)2-2223-1500 FAX: (886)2-2222-4646

(CHINA DONGGUAN) TEL: (86)769-7730-785 FAX: (86)769-7312-387

(CHINA SUZHOU) TEL: (86)512-6621-0580 FAX: (86)512-6621-0685

MODEL

TF-3302

MATERIAL

PHENOLIC

UL RATING

UL94V-0

PIN MATERIAL

CP WIRE

EDITION

2.0

DATE

2002/8/15

SCALE

1.5/1

TOLERANCE

.X  $\pm 0.2$

.XX  $\pm 0.15$

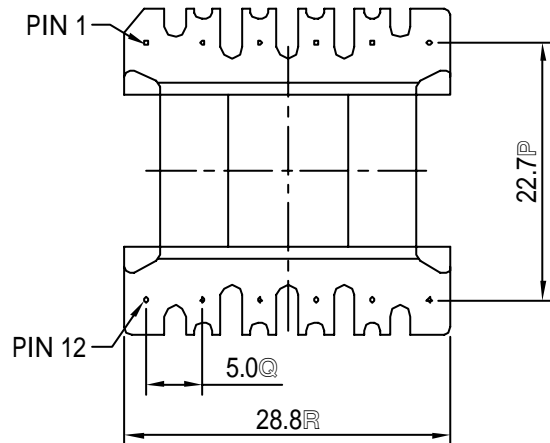
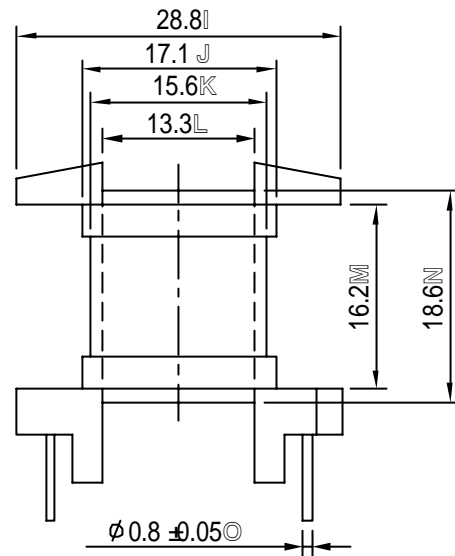
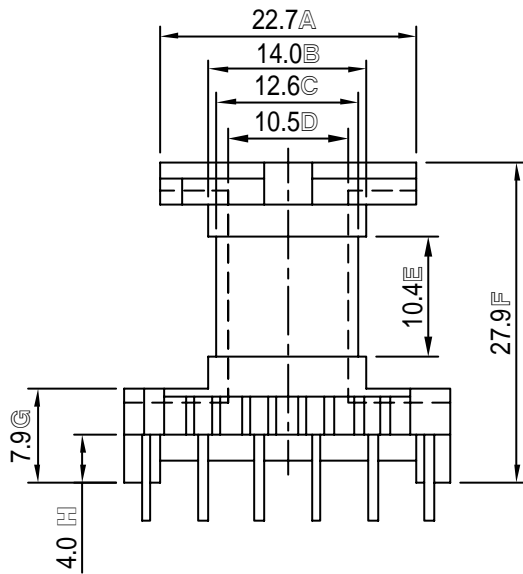
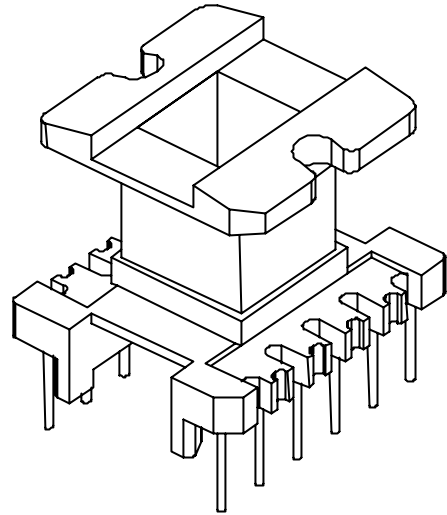
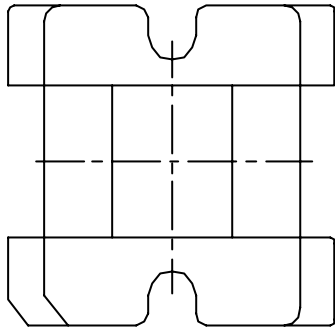
PIN PITCH  $\pm 0.1$

UNIT

MM

-D1-E33-P02 -



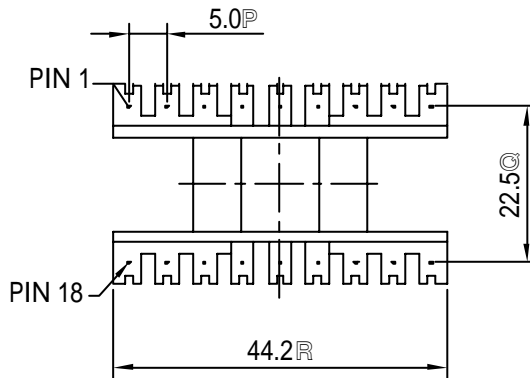
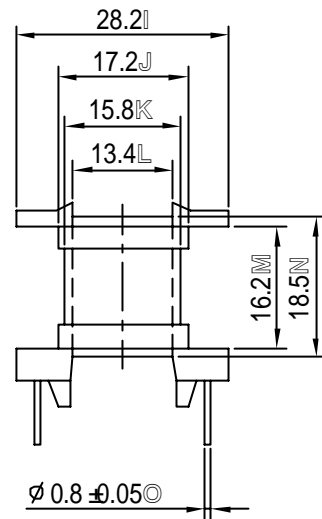
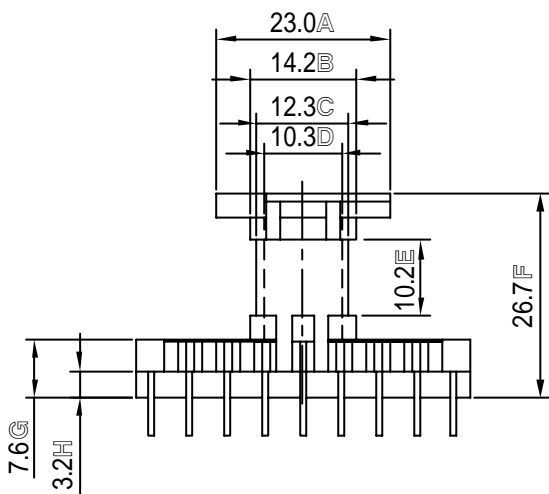
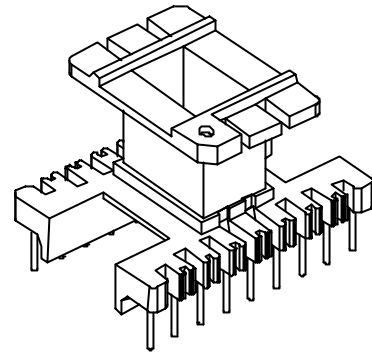
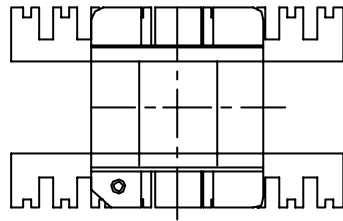


REVISIONS				
ISSUE	SYM	DATE	DRAFTER	CHECKER

NOTE:

 <b>樹林企業股份有限公司</b> TAIWAN SHULIN ENTERPRISE CO., LTD	MODEL		TF-3302-1	
	MATERIAL		PHENOLIC	
WEB: www.bobbin.com.tw	UL RATING	UL94V-0	TOLERANCE .X $\pm 0.2$ .XX $\pm 0.15$ PIN PITCH $\pm 0.1$	
e-mail: shulin@bobbin.com.tw	PIN MATERIAL	CP WIRE		
(TAIWAN TAIPEI) TEL: (886)2-2223-1500 FAX: (886)2-2222-4646	EDITION	2.0		
(CHINA DONGGUAN) TEL: (86)769-7730-785 FAX: (86)769-7312-387	DATE	2002/8/15	UNIT	MM
(CHINA SUZHOU) TEL: (86)512-6621-0580 FAX: (86)512-6621-0685	SCALE	1.5/1		

-D1-E33-P03 -

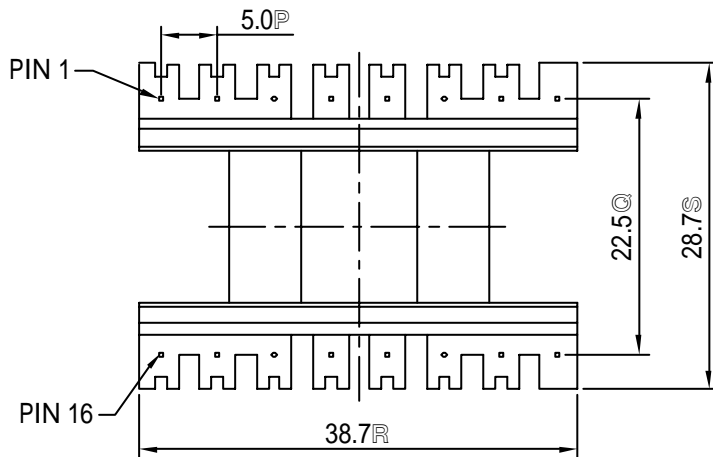
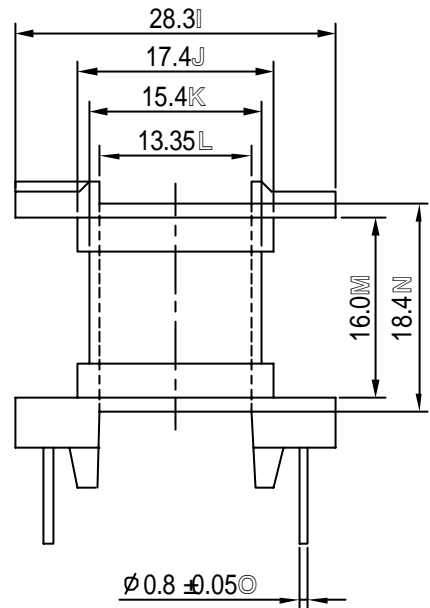
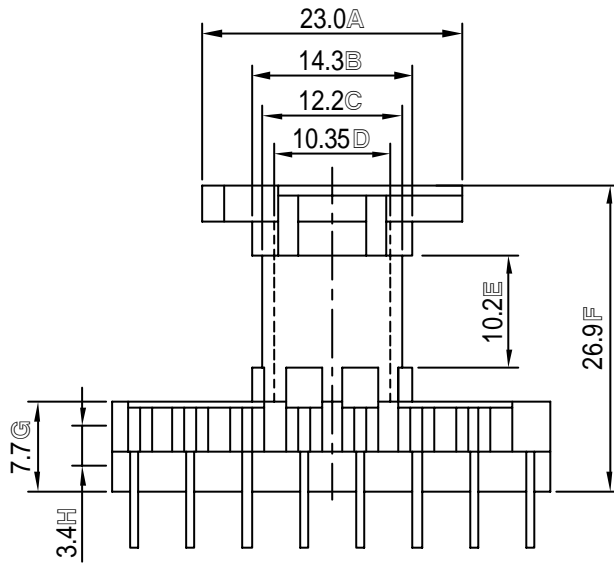
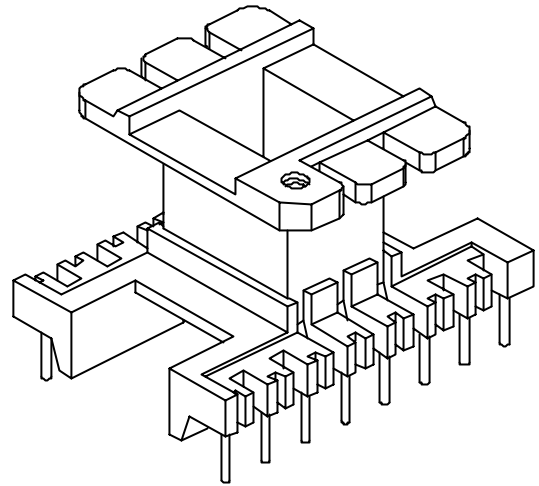
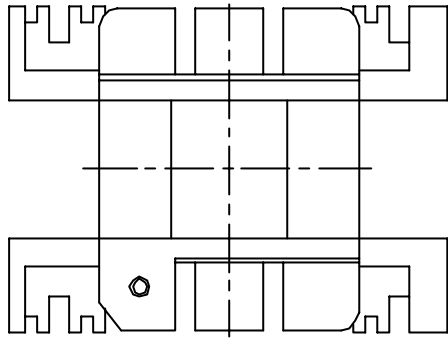


REVISIONS				
ISSUE	SYM	DATE	DRAFTER	CHECKER

NOTE:

 <b>樹林企業股份有限公司</b> TAIWAN SHULIN ENTERPRISE CO., LTD	MODEL		TF-3303	
	MATERIAL		PHENOLIC	
WEB: www.bobbin.com.tw	UL RATING	UL94V-0	TOLERANCE .X $\pm 0.2$ .XX $\pm 0.15$ PIN PITCH $\pm 0.1$	
e-mail: shulin@bobbin.com.tw	PIN MATERIAL	CP WIRE		
(TAIWAN TAIPEI) TEL: (886)2-2223-1500 FAX: (886)2-2222-4646	EDITION	2.0		
(CHINA DONGGUAN) TEL: (86)769-7730-785 FAX: (86)769-7312-387	DATE	2002/8/15		
(CHINA SUZHOU) TEL: (86)512-6621-0580 FAX: (86)512-6621-0685	SCALE	1/1	UNIT	MM

-D1-E33-P04 -

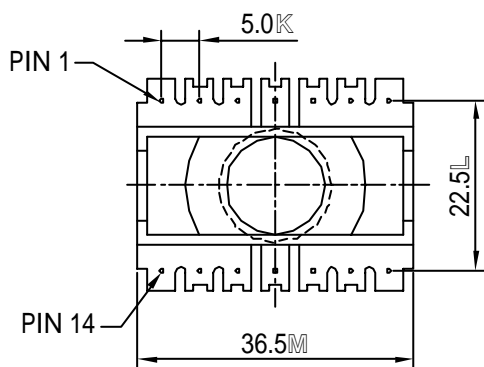
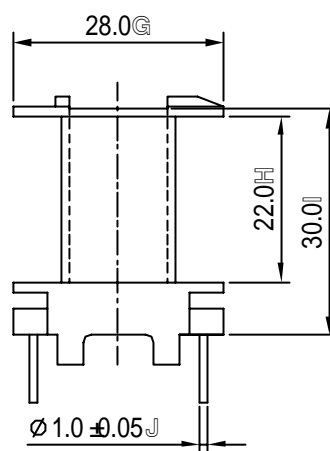
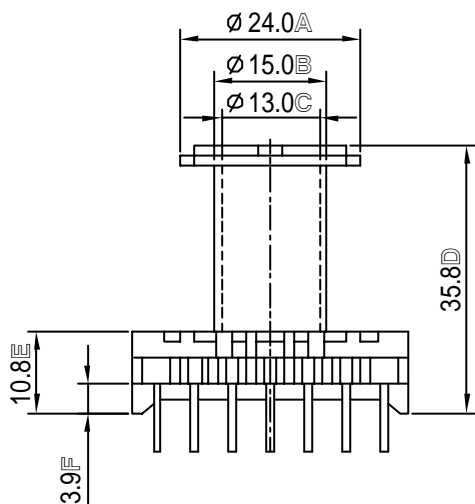
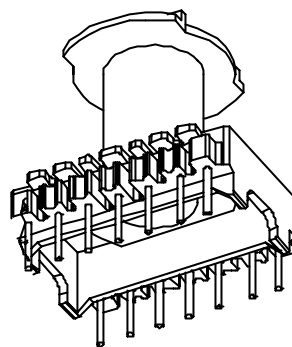
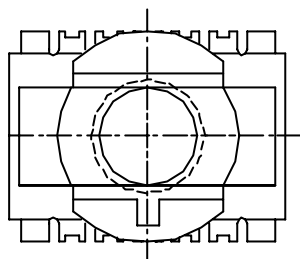


REVISIONS				
ISSUE	SYM	DATE	DRAFTER	CHECKER

NOTE:

 <b>樹林企業股份有限公司</b> TAIWAN SHULIN ENTERPRISE CO., LTD	MODEL		TF-3304	
	MATERIAL		PHENOLIC	
WEB: www.bobbin.com.tw	UL RATING	UL94V-0	TOLERANCE .X $\pm 0.2$ .XX $\pm 0.15$ PIN PITCH $\pm 0.1$	
e-mail: shulin@bobbin.com.tw	PIN MATERIAL	CP WIRE		
(TAIWAN TAIPEI) TEL: (886)2-2223-1500 FAX: (886)2-2222-4646	EDITION	2.0A		
(CHINA DONGGUAN) TEL: (86)769-7730-785 FAX: (86)769-7312-387	DATE	2003/7/22		
(CHINA SUZHOU) TEL: (86)512-6621-0580 FAX: (86)512-6621-0685	SCALE	1.5/1	UNIT	MM

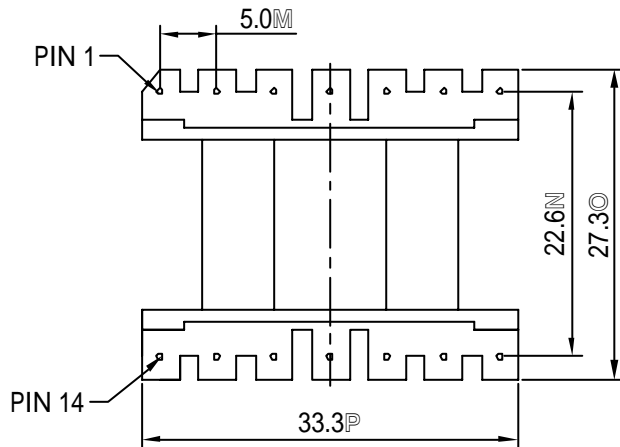
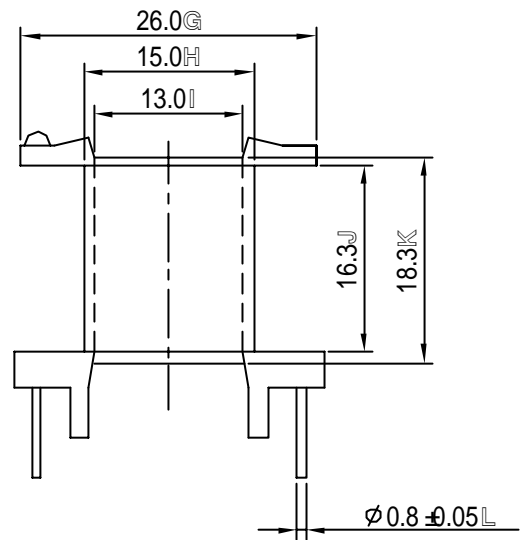
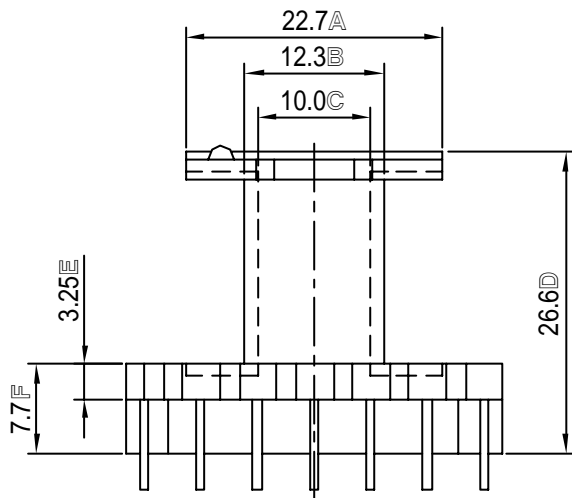
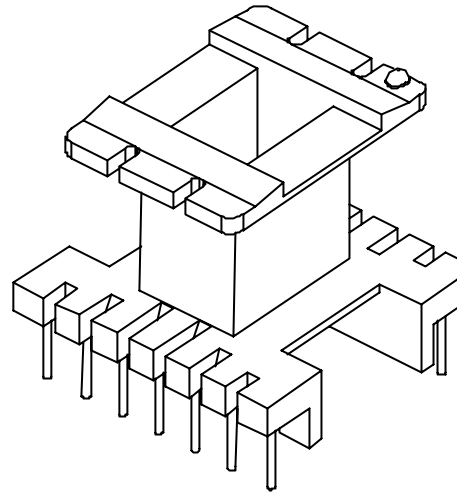
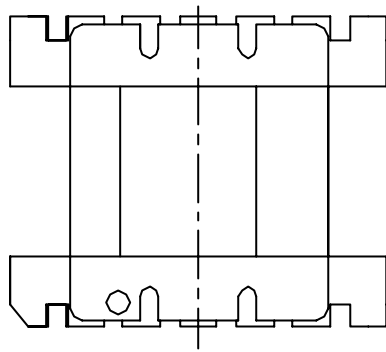
-D1-E33-P05 -



REVISIONS				
ISSUE	SYM	DATE	DRAFTER	CHECKER
NOTE:				

 <b>樹林企業股份有限公司</b> TAIWAN SHULIN ENTERPRISE CO., LTD	MODEL	TF-3305		
	MATERIAL	PHENOLIC		
WEB:www.bobbin.com.tw	UL RATING	UL94V-0	TOLERANCE .X ±0.2 .XX ±0.15 PIN PITCH ±0.1	
e-mail:shulin@bobbin.com.tw	PIN MATERIAL	CP WIRE		
(TAIWAN TAIPEI) TEL:(886)2-2223-1500 FAX:(886)2-2222-4646	EDITION	2.0		
(CHINA DONGGUAN) TEL:(86)769-7730-785 FAX:(86)769-7312-387	DATE	2002/8/15	UNIT	MM
(CHINA SUZHOU) TEL:(86)512-6621-0580 FAX:(86)512-6621-0685	SCALE	1/1		

-D2-ER33-P01 -

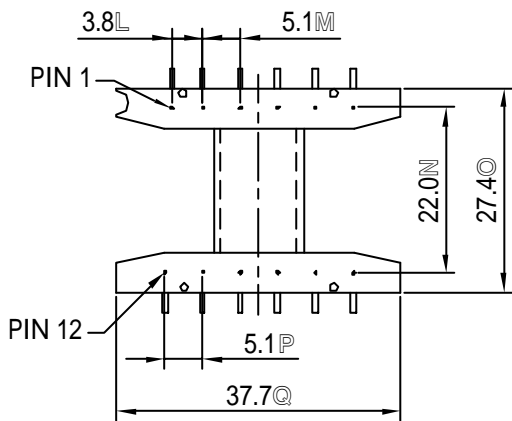
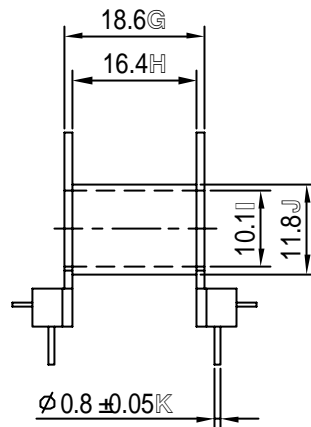
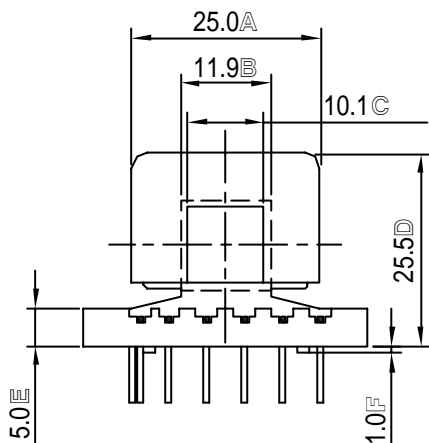
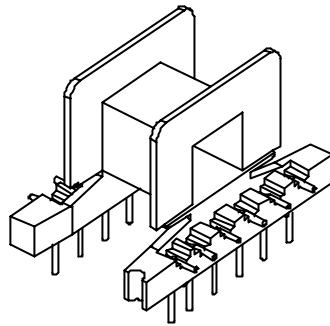
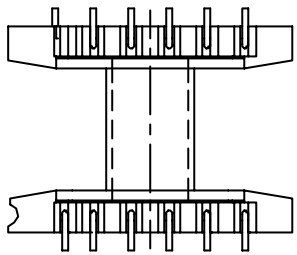


REVISIONS				
ISSUE	SYM	DATE	DRAFTER	CHECKER

NOTE:

 <b>樹林企業股份有限公司</b> TAIWAN SHULIN ENTERPRISE CO., LTD	MODEL	TF-3306		
	MATERIAL	PHENOLIC		
WEB: www.bobbin.com.tw	UL RATING	UL94V-0	TOLERANCE .X $\pm 0.2$ .XX $\pm 0.15$ PIN PITCH $\pm 0.1$	
e-mail: shulin@bobbin.com.tw	PIN MATERIAL	CP WIRE		
(TAIWAN TAIPEI) TEL: (886)2-2223-1500 FAX: (886)2-2222-4646	EDITION	2.0		
(CHINA DONGGUAN) TEL: (86)769-7730-785 FAX: (86)769-7312-387	DATE	2002/8/15	UNIT	MM
(CHINA SUZHOU) TEL: (86)512-6621-0580 FAX: (86)512-6621-0685	SCALE	1.5/1		

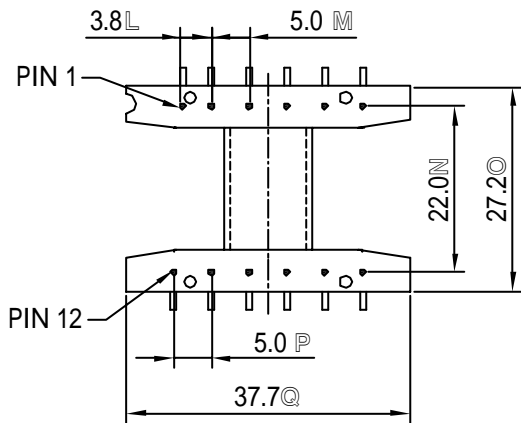
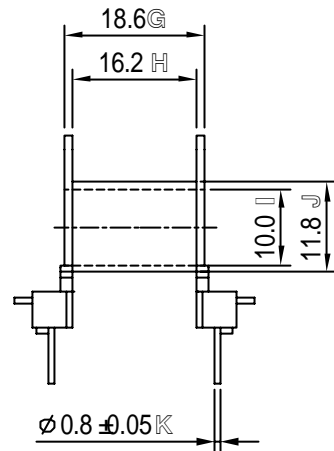
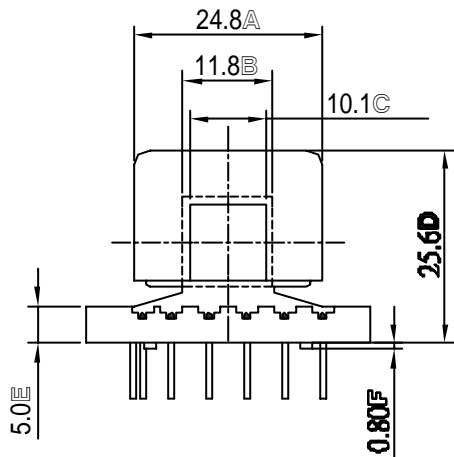
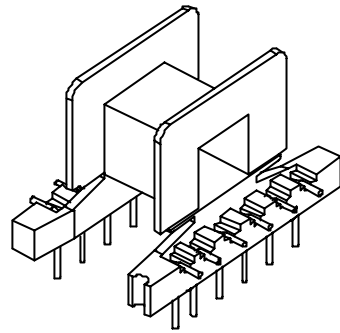
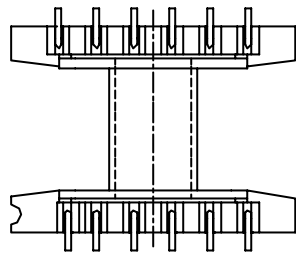
-D1-E33-P06 -



REVISIONS				
ISSUE	SYM	DATE	DRAFTER	CHECKER
NOTE:				

 <b>樹林企業股份有限公司</b> TAIWAN SHULIN ENTERPRISE CO., LTD	MODEL		TF-3501	
	MATERIAL		NYLON 66	
WEB:www.bobbin.com.tw	UL RATING	UL94V-0	TOLERANCE .X $\pm 0.2$ .XX $\pm 0.15$ PIN PITCH $\pm 0.1$	
e-mail:shulin@bobbin.com.tw	PIN MATERIAL	CP WIRE		
(TAIWAN TAIPEI) TEL:(886)2-2223-1500 FAX:(886)2-2222-4646	EDITION	2.0		
(CHINA DONGGUAN) TEL:(86)769-7730-785 FAX:(86)769-7312-387	DATE	2002/8/15	UNIT	MM
(CHINA SUZHOU) TEL:(86)512-6621-0580 FAX:(86)512-6621-0685	SCALE	1/1		

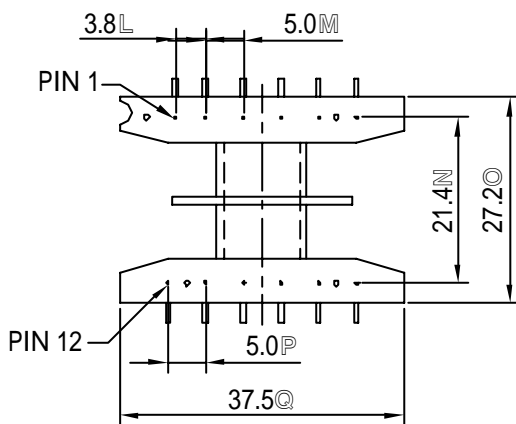
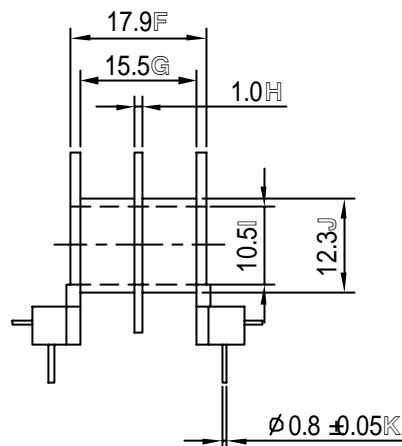
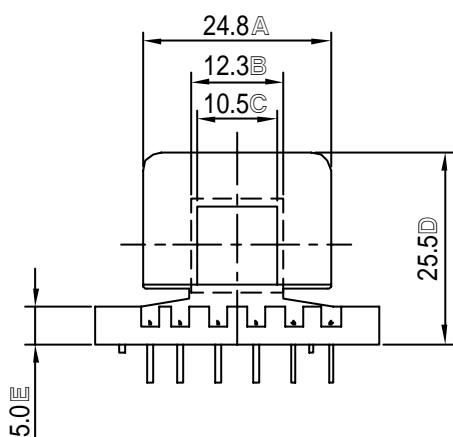
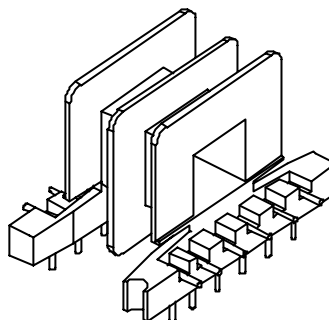
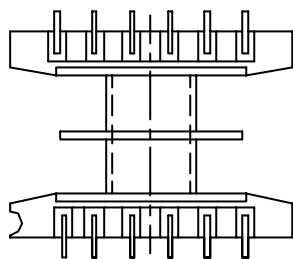
-D1-E35-P01 -



REVISIONS				
ISSUE	SYM	DATE	DRAFTER	CHECKER
NOTE:				

 <b>樹林企業股份有限公司</b> TAIWAN SHULIN ENTERPRISE CO., LTD	MODEL		TF-3501-1	
	MATERIAL		PBT	
WEB: <a href="http://www.bobbin.com.tw">www.bobbin.com.tw</a>	UL RATING	UL94V-0	TOLERANCE .X $\pm 0.2$ .XX $\pm 0.15$ PIN PITCH $\pm 0.1$	
e-mail: <a href="mailto:shulin@bobbin.com.tw">shulin@bobbin.com.tw</a>	PIN MATERIAL	CP WIRE		
(TAIWAN TAIPEI) TEL: (886)2-2223-1500 FAX: (886)2-2222-4646	EDITION	2.0		
(CHINA DONGGUAN) TEL: (86)769-7730-785 FAX: (86)769-7312-387	DATE	2002/8/15	UNIT	MM
(CHINA SUZHOU) TEL: (86)512-6621-0580 FAX: (86)512-6621-0685	SCALE	1/1		

-D1-E35-P02 -

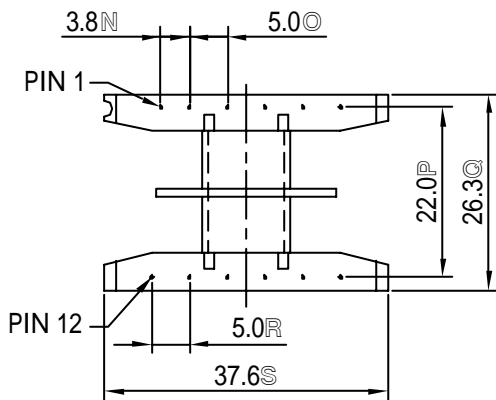
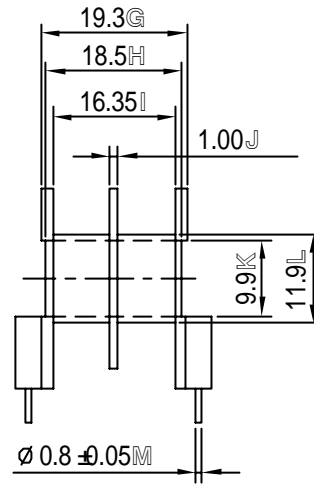
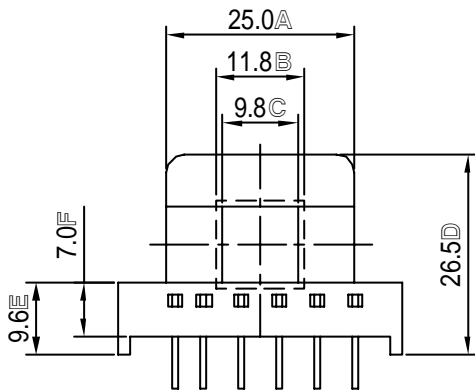
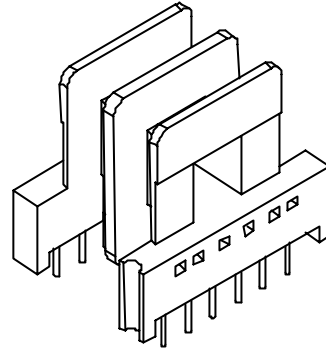
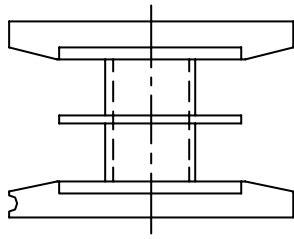


REVISIONS				
ISSUE	SYM	DATE	DRAFTER	CHECKER
NOTE:				

 <b>樹林企業股份有限公司</b> TAIWAN SHULIN ENTERPRISE CO., LTD	MODEL		TF-3502	
	MATERIAL		NYLON 66	
WEB:www.bobbin.com.tw	UL RATING	UL94V-0	TOLERANCE .X $\pm 0.2$ .XX $\pm 0.15$ PIN PITCH $\pm 0.1$	
e-mail:shulin@bobbin.com.tw	PIN MATERIAL	CP WIRE		
(TAIWAN TAIPEI) TEL: (886)2-2223-1500 FAX: (886)2-2222-4646	EDITION	2.0		
(CHINA DONGGUAN) TEL: (86)769-7730-785 FAX: (86)769-7312-387	DATE	2002/8/15		
(CHINA SUZHOU) TEL: (86)512-6621-0580 FAX: (86)512-6621-0685	SCALE	1/1	UNIT	MM

-D1-E35-P03 -



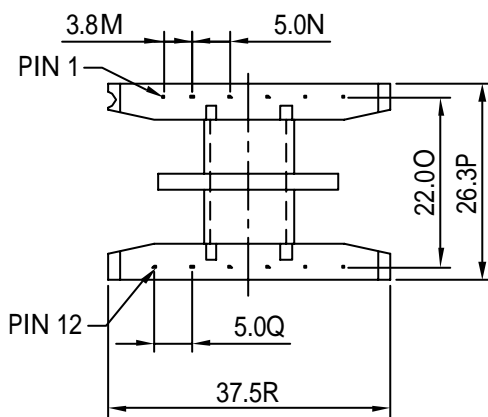
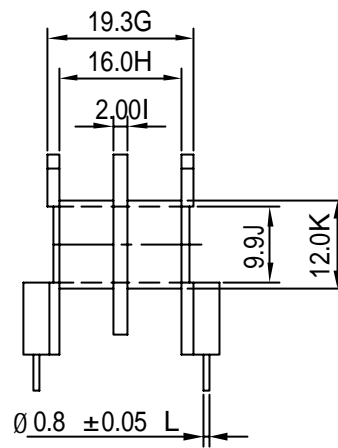
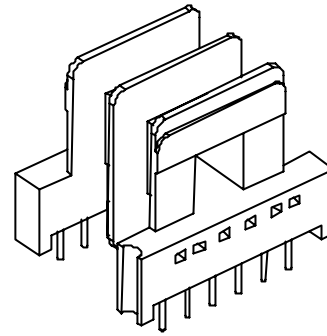
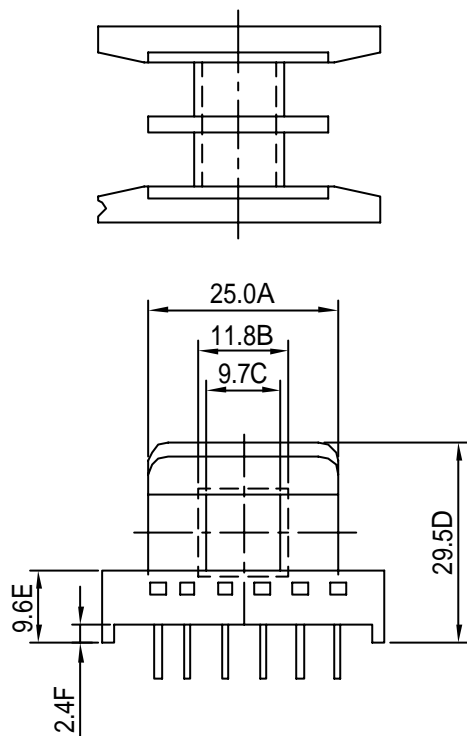


REVISIONS				
ISSUE	SYM	DATE	DRAFTER	CHECKER

NOTE:

 <b>樹林企業股份有限公司</b> TAIWAN SHULIN ENTERPRISE CO., LTD	MODEL	TF-3503		
	MATERIAL	PBT		
WEB:www.bobbin.com.tw	UL RATING	UL94V-0	TOLERANCE .X $\pm 0.2$ .XX $\pm 0.15$ PIN PITCH $\pm 0.1$	
e-mail:shulin@bobbin.com.tw	PIN MATERIAL	CP WIRE		
(TAIWAN TAIPEI) TEL:(886)2-2223-1500 FAX:(886)2-2222-4646	EDITION	2.0		
(CHINA DONGGUAN) TEL:(86)769-7730-785 FAX:(86)769-7312-387	DATE	2002/8/15		
(CHINA SUZHOU) TEL:(86)512-6621-0580 FAX:(86)512-6621-0685	SCALE	1/1	UNIT	MM

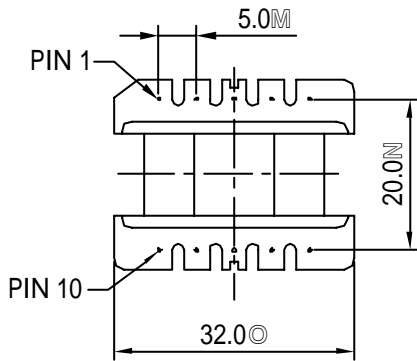
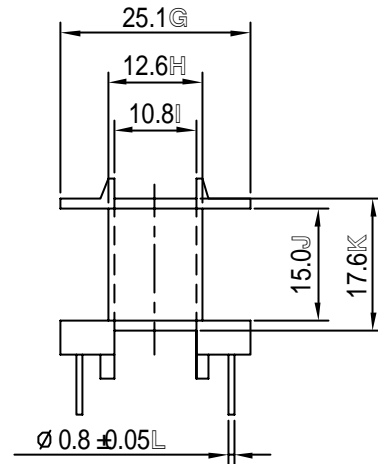
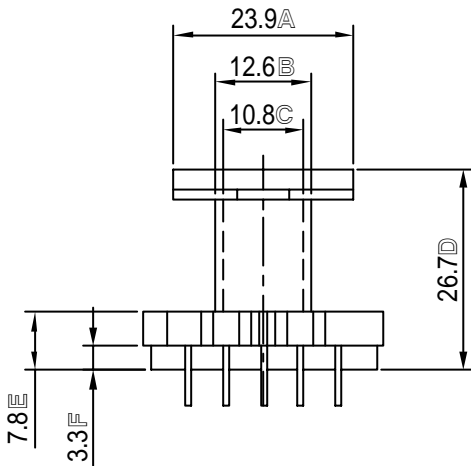
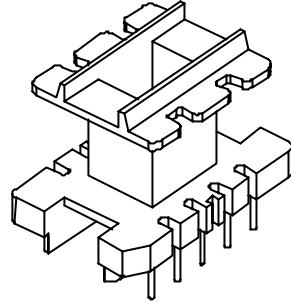
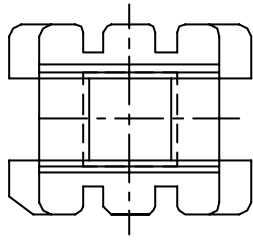
-D1-E35-P04 -



REVISIONS				
ISSUE	SYM	DATE	DRAFTER	CHECKER
NOTE:				

 <b>樹林企業股份有限公司</b> TAIWAN SHULIN ENTERPRISE CO., LTD	MODEL		TF-3503-1	
	MATERIAL		PBT	
WEB:www.bobbin.com.tw	UL RATING	UL94V-0	TOLERANCE .X $\pm 0.2$ .XX $\pm 0.15$ PIN PITCH $\pm 0.1$	
e-mail:shulin@bobbin.com.tw	PIN MATERIAL	CP WIRE		
(TAIWAN TAIPEI) TEL:(886)2-2223-1500 FAX:(886)2-2222-4646	EDITION	2.0		
(CHINA DONGGUAN) TEL:(86)769-7730-785 FAX:(86)769-7312-387	DATE	2002/8/15		
(CHINA SUZHOU) TEL:(86)512-6621-0580 FAX:(86)512-6621-0685	SCALE	1/1	UNIT	MM

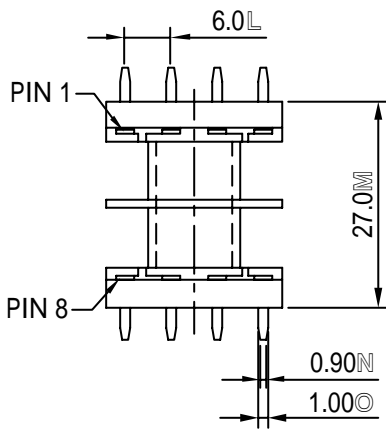
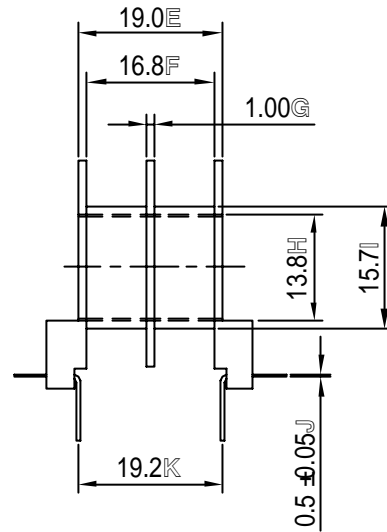
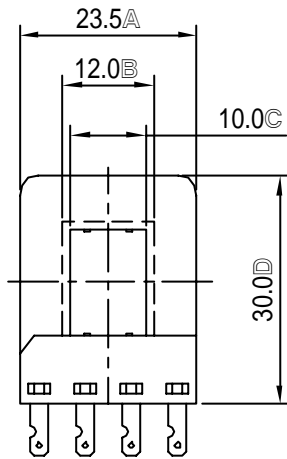
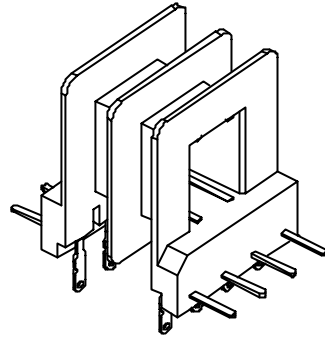
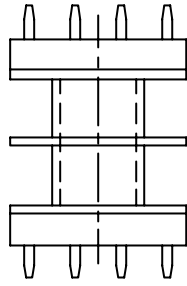
-D1-E35-P05 -



REVISIONS				
ISSUE	SYM	DATE	DRAFTER	CHECKER
NOTE:				

 <b>樹林企業股份有限公司</b> TAIWAN SHULIN ENTERPRISE CO., LTD	MODEL		TF-3504	
	MATERIAL		PHENOLIC	
WEB:www.bobbin.com.tw	UL RATING	UL94V-0	TOLERANCE .X $\pm 0.2$ .XX $\pm 0.15$ PIN PITCH $\pm 0.1$	
e-mail:shulin@bobbin.com.tw	PIN MATERIAL	CP WIRE		
(TAIWAN TAIPEI) TEL:(886)2-2223-1500 FAX:(886)2-2222-4646	EDITION	2.0		
(CHINA DONGGUAN) TEL:(86)769-7730-785 FAX:(86)769-7312-387	DATE	2002/8/15		
(CHINA SUZHOU) TEL:(86)512-6621-0580 FAX:(86)512-6621-0685	SCALE	1/1	UNIT	MM

-D1-E35-P06 -

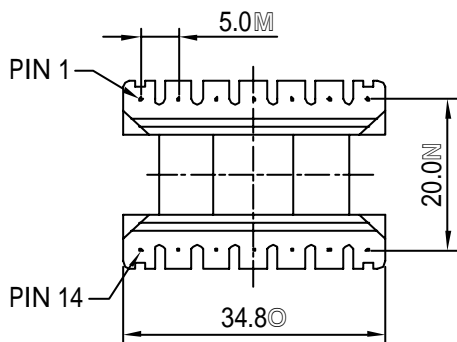
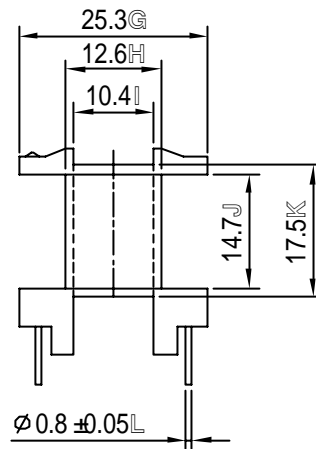
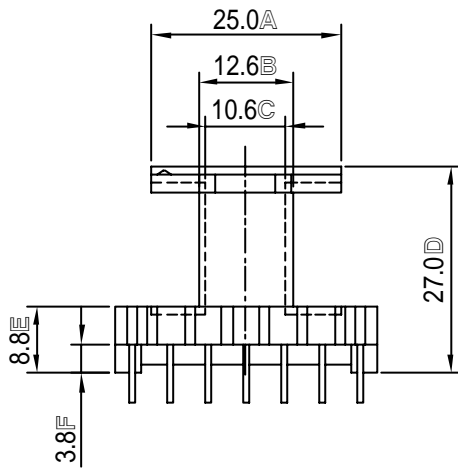
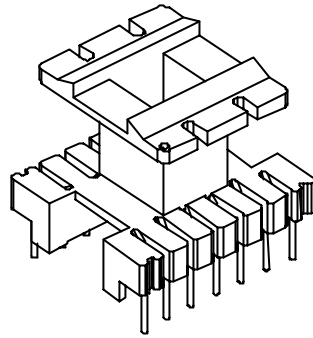
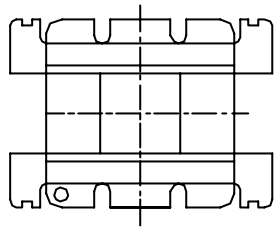


REVISIONS				
ISSUE	SYM	DATE	DRAFTER	CHECKER

NOTE:

 <b>樹林企業股份有限公司</b> TAIWAN SHULIN ENTERPRISE CO., LTD	MODEL	TF-3505		
	MATERIAL	PBT		
WEB:www.bobbin.com.tw	UL RATING	UL94V-0	TOLERANCE .X ±0.2 .XX ±0.15 PIN PITCH ±0.1	
e-mail:shulin@bobbin.com.tw	PIN MATERIAL	PHOS.B		
(TAIWAN TAIPEI) TEL: (886)2-2223-1500 FAX: (886)2-2222-4646	EDITION	2.0		
(CHINA DONGGUAN) TEL: (86)769-7730-785 FAX: (86)769-7312-387	DATE	2002/8/15		
(CHINA SUZHOU) TEL: (86)512-6621-0580 FAX: (86)512-6621-0685	SCALE	1/1	UNIT	MM

-D1-E35-P07 -

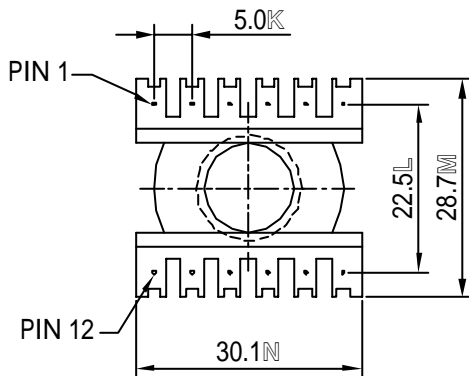
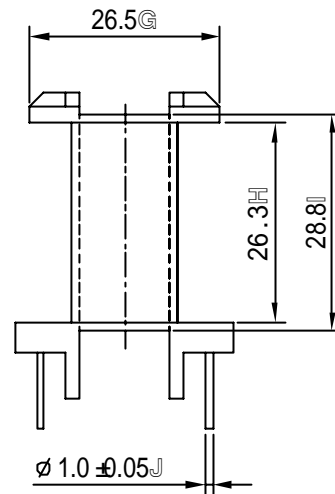
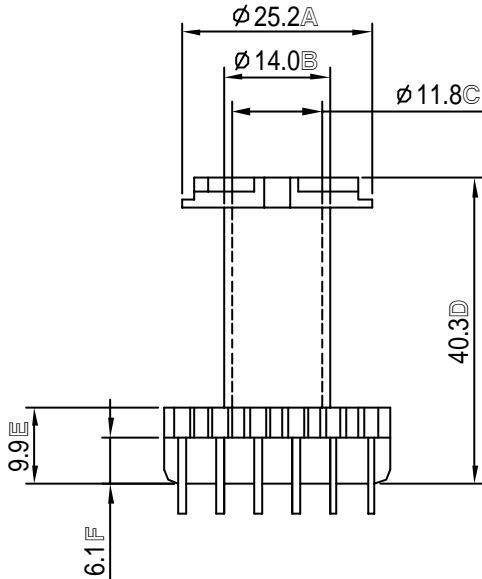
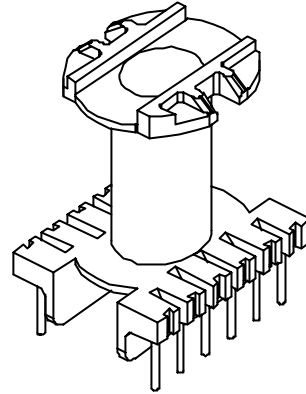
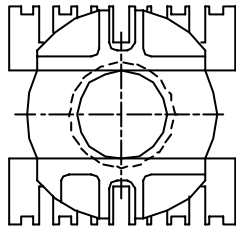


REVISIONS				
ISSUE	SYM	DATE	DRAFTER	CHECKER

NOTE:

 <b>樹林企業股份有限公司</b> TAIWAN SHULIN ENTERPRISE CO., LTD	MODEL		TF-3507	
	MATERIAL		PHENOLIC	
WEB: www.bobbin.com.tw	UL RATING	UL94V-0	TOLERANCE .X $\pm 0.2$ .XX $\pm 0.15$ PIN PITCH $\pm 0.1$	
e-mail: shulin@bobbin.com.tw	PIN MATERIAL	CP WIRE		
(TAIWAN TAIPEI) TEL: (886)2-2223-1500 FAX: (886)2-2222-4646	EDITION	2.0		
(CHINA DONGGUAN) TEL: (86)769-7730-785 FAX: (86)769-7312-387	DATE	2002/8/15	UNIT	MM
(CHINA SUZHOU) TEL: (86)512-6621-0580 FAX: (86)512-6621-0685	SCALE	1/1		

-D1-E35-P08 -

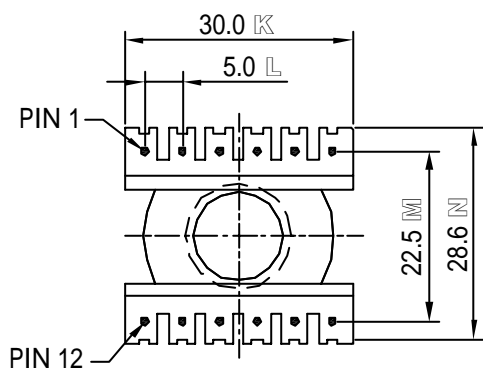
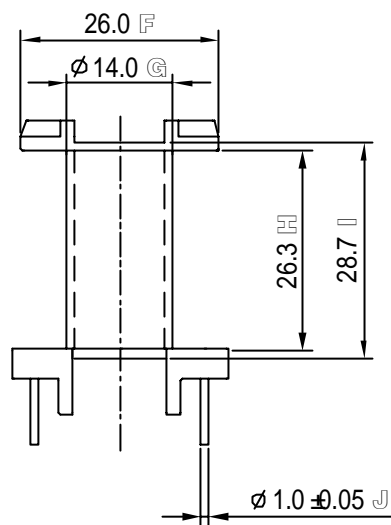
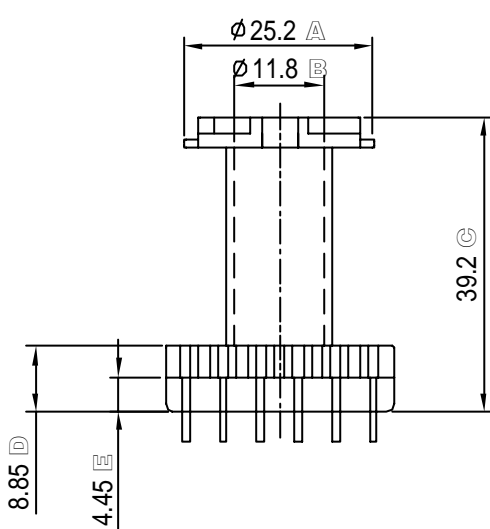
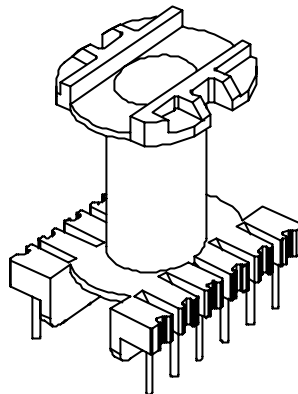
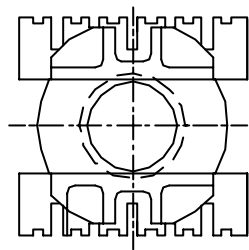


REVISIONS				
ISSUE	SYM	DATE	DRAFTER	CHECKER

NOTE:

 <b>樹林企業股份有限公司</b> TAIWAN SHULIN ENTERPRISE CO., LTD	MODEL	TF-3508		
	MATERIAL	PHENOLIC		
WEB: www.bobbin.com.tw	UL RATING	UL94V-0	TOLERANCE .X $\pm 0.2$ .XX $\pm 0.15$ PIN PITCH $\pm 0.1$	
e-mail: shulin@bobbin.com.tw	PIN MATERIAL	CP WIRE		
(TAIWAN TAIPEI) TEL: (886)2-2223-1500 FAX: (886)2-2222-4646	EDITION	2.0		
(CHINA DONGGUAN) TEL: (86)769-7730-785 FAX: (86)769-7312-387	DATE	2002/8/15	UNIT	MM
(CHINA SUZHOU) TEL: (86)512-6621-0580 FAX: (86)512-6621-0685	SCALE	1/1		

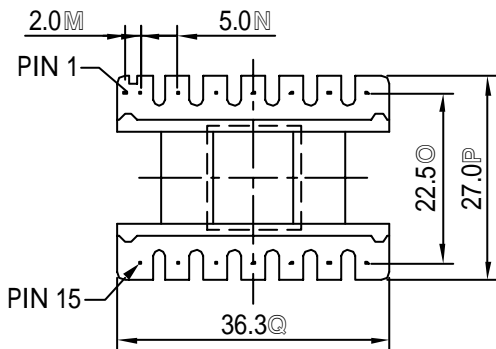
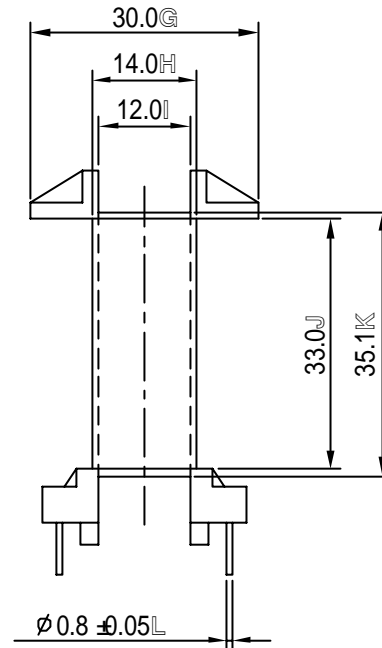
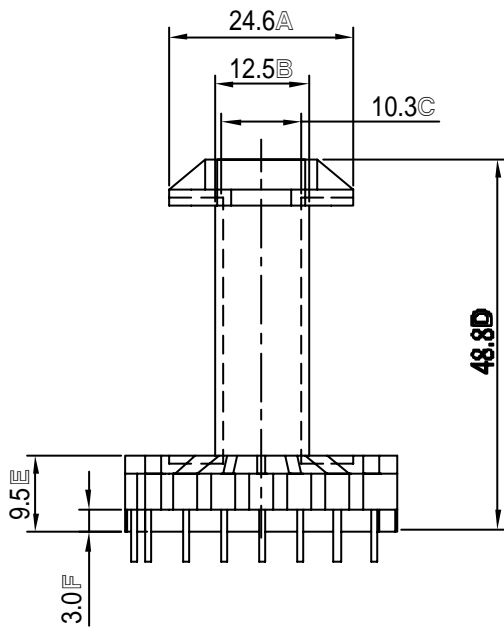
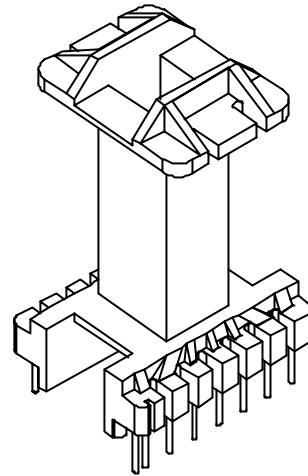
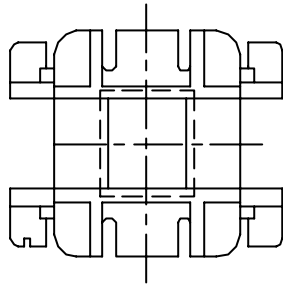
-D2-ER35-P01 -



REVISIONS				
ISSUE	SYM	DATE	DRAFTER	CHECKER
NOTE:				

 <b>樹林企業股份有限公司</b> TAIWAN SHULIN ENTERPRISE CO., LTD	MODEL		TF-3508-1	
	MATERIAL		PHENOLIC	
WEB: www.bobbin.com.tw	UL RATING	UL94V-0	TOLERANCE .X $\pm 0.2$ .XX $\pm 0.15$ PIN PITCH $\pm 0.1$	
e-mail: shulin@bobbin.com.tw	PIN MATERIAL	CP WIRE		
(TAIWAN TAIPEI) TEL: (886)2-2223-1500 FAX: (886)2-2222-4646	EDITION	2.0		
(CHINA DONGGUAN) TEL: (86)769-7730-785 FAX: (86)769-7312-387	DATE	2002/8/15	UNIT	MM
(CHINA SUZHOU) TEL: (86)512-6621-0580 FAX: (86)512-6621-0685	SCALE	1/1		

-D2-ER35-P02 -

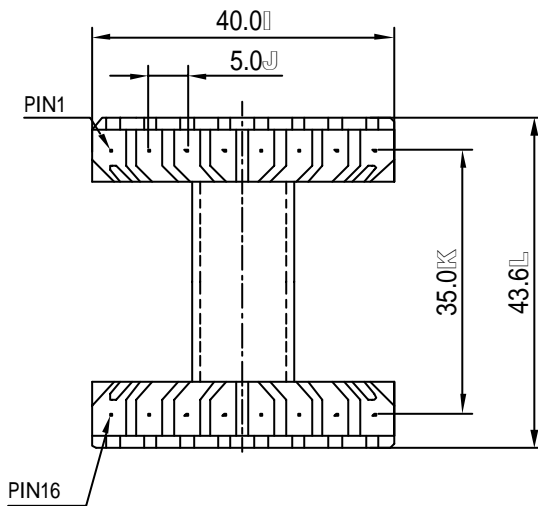
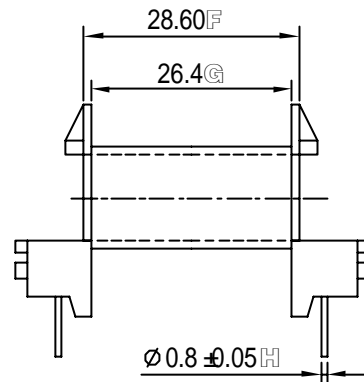
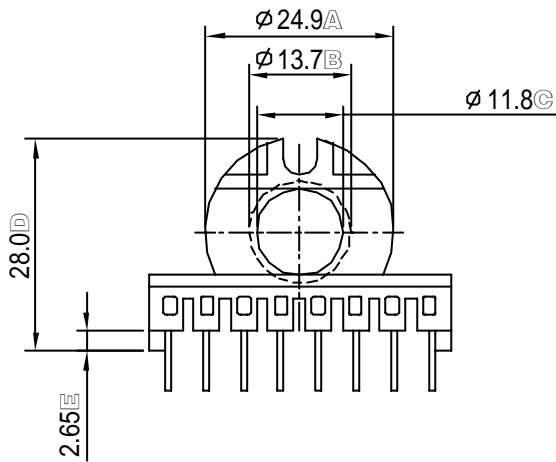
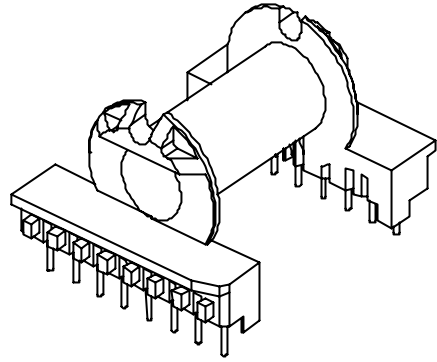
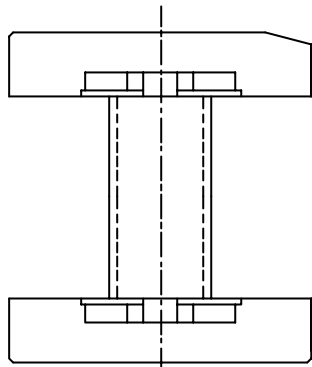


REVISIONS				
ISSUE	SYM	DATE	DRAFTER	CHECKER
NOTE:				

 <b>樹林企業股份有限公司</b> TAIWAN SHULIN ENTERPRISE CO., LTD	MODEL		TF-3510	
	MATERIAL		PHENOLIC	
WEB: www.bobbin.com.tw	UL RATING	UL94V-0	TOLERANCE .X $\pm 0.2$ .XX $\pm 0.15$ PIN PITCH $\pm 0.1$	
e-mail: shulin@bobbin.com.tw	PIN MATERIAL	CP WIRE		
(TAIWAN TAIPEI) TEL: (886)2-2223-1500 FAX: (886)2-2222-4646	EDITION	2.0		
(CHINA DONGGUAN) TEL: (86)769-7730-785 FAX: (86)769-7312-387	DATE	2002/8/15	UNIT	MM
(CHINA SUZHOU) TEL: (86)512-6621-0580 FAX: (86)512-6621-0685	SCALE	1/1		

-D1-E35-P09 -

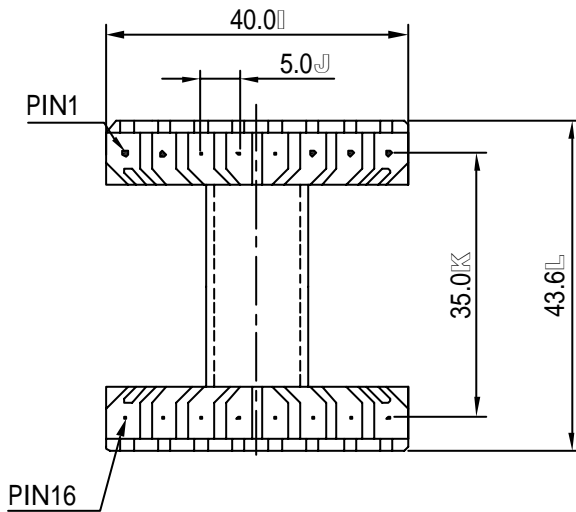
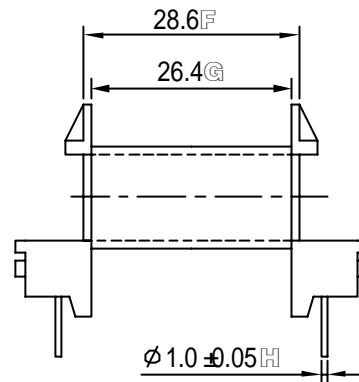
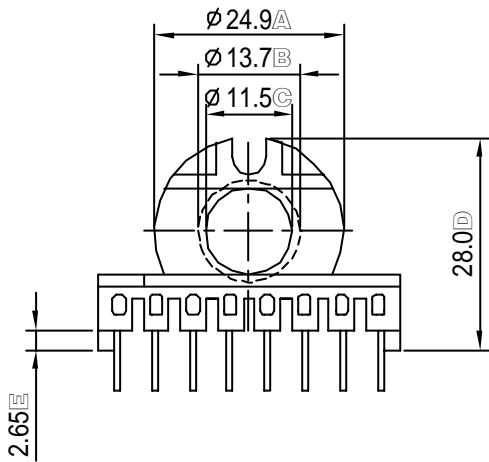
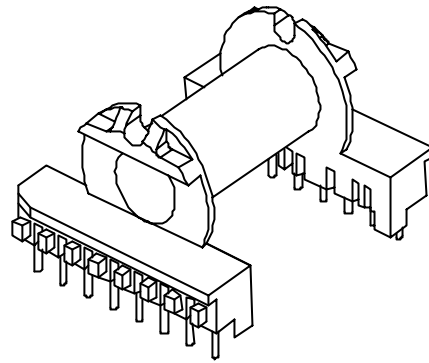
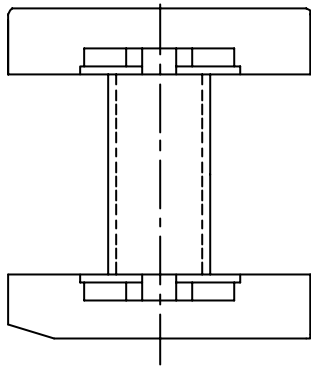




REVISIONS				
ISSUE	SYM	DATE	DRAFTER	CHECKER
NOTE:				

 <b>樹林企業股份有限公司</b> TAIWAN SHULIN ENTERPRISE CO., LTD	MODEL	TF-3511		
	MATERIAL	PHENOLIC		
WEB: <a href="http://www.bobbin.com.tw">www.bobbin.com.tw</a> e-mail: <a href="mailto:shulin@bobbin.com.tw">shulin@bobbin.com.tw</a> (TAIWAN TAIPEI) TEL: (886)2-2223-1500 FAX: (886)2-2222-4646 (CHINA DONGGUAN) TEL: (86)769-7730-785 FAX: (86)769-7312-387 (CHINA SUZHOU) TEL: (86)512-6621-0580 FAX: (86)512-6621-0685	UL RATING	UL94V-0	TOLERANCE .X $\pm 0.2$ .XX $\pm 0.15$ PIN PITCH $\pm 0.1$	
	PIN MATERIAL	CP WIRE		
	EDITION	2.0		
	DATE	2002/8/15		
	SCALE	1/1	UNIT	MM

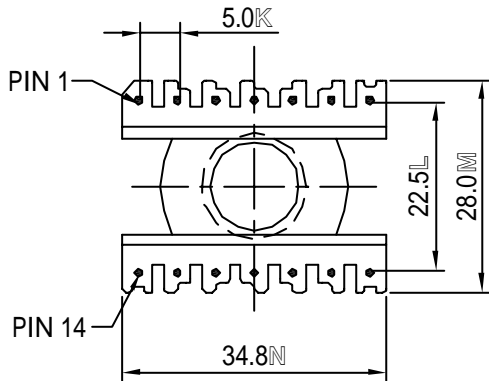
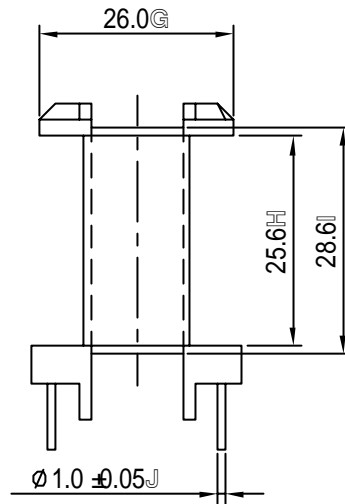
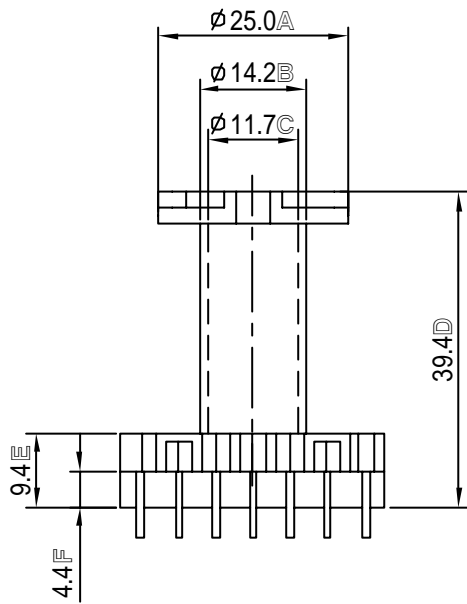
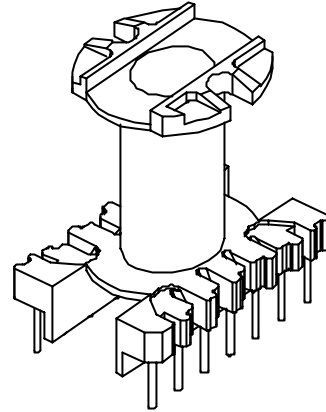
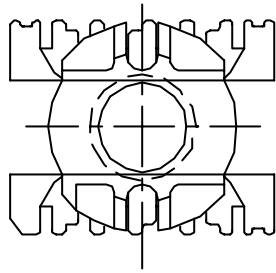
-D2-ER35-P03 -



REVISIONS				
ISSUE	SYM	DATE	DRAFTER	CHECKER
NOTE:				

 <b>樹林企業股份有限公司</b> TAIWAN SHULIN ENTERPRISE CO., LTD	MODEL	TF-3511-1		
	MATERIAL	PHENOLIC		
WEB: <a href="http://www.bobbin.com.tw">www.bobbin.com.tw</a>	UL RATING	UL94V-0	TOLERANCE .X $\pm 0.2$ .XX $\pm 0.15$ PIN PITCH $\pm 0.1$	
e-mail: <a href="mailto:shulin@bobbin.com.tw">shulin@bobbin.com.tw</a>	PIN MATERIAL	CP WIRE		
(TAIWAN TAIPEI) TEL: (886)2-2223-1500 FAX: (886)2-2222-4646	EDITION	2.0		
(CHINA DONGGUAN) TEL: (86)769-7730-785 FAX: (86)769-7312-387	DATE	2002/8/15		
(CHINA SUZHOU) TEL: (86)512-6621-0580 FAX: (86)512-6621-0685	SCALE	1/1	UNIT	MM

-D2-ER35-P04 -

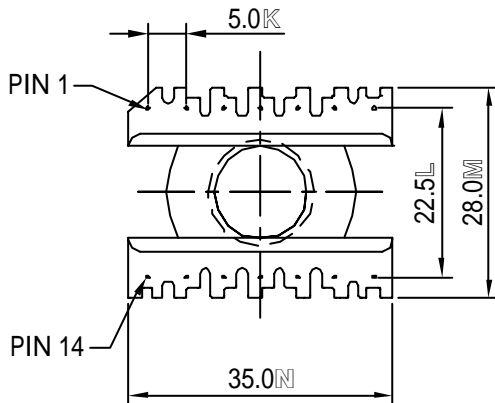
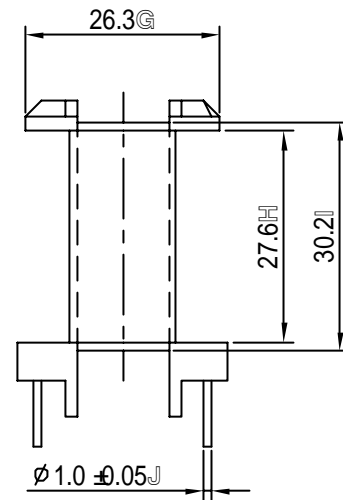
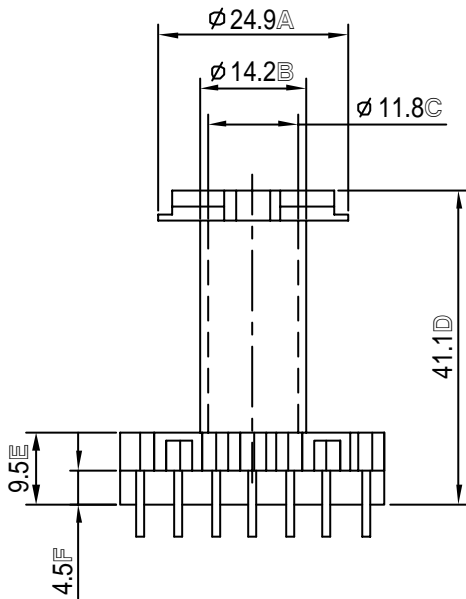
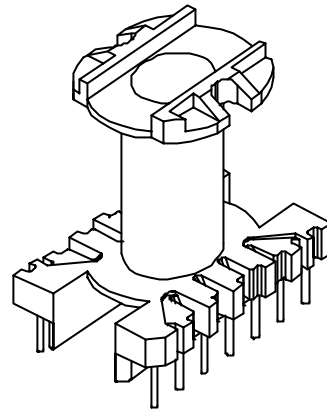
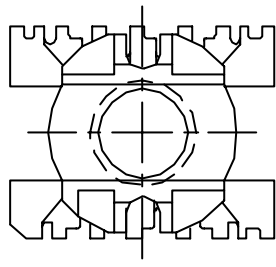


REVISIONS				
ISSUE	SYM	DATE	DRAFTER	CHECKER

NOTE:

 <b>樹林企業股份有限公司</b> TAIWAN SHULIN ENTERPRISE CO., LTD	MODEL	TF-3512		
	MATERIAL	PHENOLIC		
WEB:www.bobbin.com.tw	UL RATING	UL94V-0	TOLERANCE .X $\pm 0.2$ .XX $\pm 0.15$ PIN PITCH $\pm 0.1$	
e-mail:shulin@bobbin.com.tw	PIN MATERIAL	CP WIRE		
(TAIWAN TAIPEI) TEL:(886)2-2223-1500 FAX:(886)2-2222-4646	EDITION	2.0		
(CHINA DONGGUAN) TEL:(86)769-7730-785 FAX:(86)769-7312-387	DATE	2002/8/15	UNIT	MM
(CHINA SUZHOU) TEL:(86)512-6621-0580 FAX:(86)512-6621-0685	SCALE	1/1		

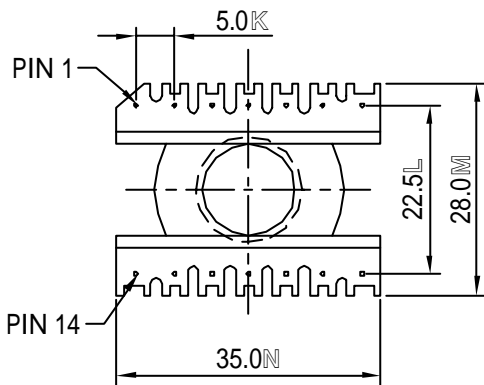
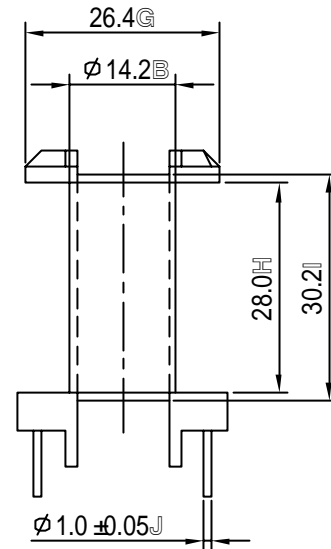
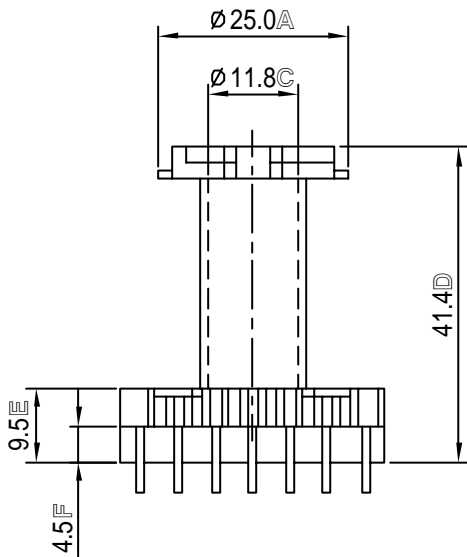
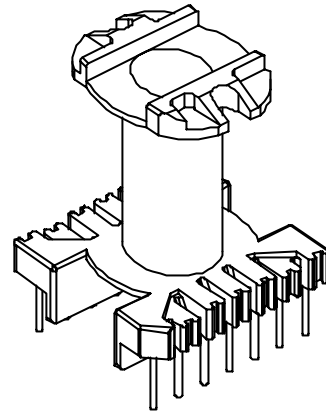
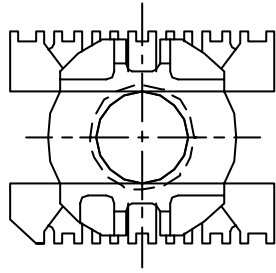
-D2-ER35-P05 -



REVISIONS				
ISSUE	SYM	DATE	DRAFTER	CHECKER
NOTE:				

 <b>樹林企業股份有限公司</b> TAIWAN SHULIN ENTERPRISE CO., LTD	MODEL	TF-3512-1		
	MATERIAL	PHENOLIC		
WEB: www.bobbin.com.tw	UL RATING	UL94V-0	TOLERANCE .X $\pm 0.2$ .XX $\pm 0.15$ PIN PITCH $\pm 0.1$	
e-mail: shulin@bobbin.com.tw	PIN MATERIAL	CP WIRE		
(TAIWAN TAIPEI) TEL: (886)2-2223-1500 FAX: (886)2-2222-4646	EDITION	2.0		
(CHINA DONGGUAN) TEL: (86)769-7730-785 FAX: (86)769-7312-387	DATE	2002/8/15	UNIT	MM
(CHINA SUZHOU) TEL: (86)512-6621-0580 FAX: (86)512-6621-0685	SCALE	1/1		

-D2-ER35-P06 -



REVISIONS				
ISSUE	SYM	DATE	DRAFTER	CHECKER

NOTE:



樹林企業股份有限公司

TAIWAN SHULIN ENTERPRISE CO., LTD

WEB: www.bobbin.com.tw

e-mail: shulin@bobbin.com.tw

(TAIWAN TAIPEI) TEL: (886)2-2223-1500 FAX: (886)2-2222-4646

(CHINA DONGGUAN) TEL: (86)769-7730-785 FAX: (86)769-7312-387

(CHINA SUZHOU) TEL: (86)512-6621-0580 FAX: (86)512-6621-0685

MODEL

TF-3512-2

MATERIAL

PHENOLIC

UL RATING

UL94V-0

TOLERANCE

PIN MATERIAL

CP WIRE

.X  $\pm 0.2$

.XX  $\pm 0.15$

PIN PITCH  $\pm 0.1$

EDITION

2.0

DATE

2002/8/15

SCALE

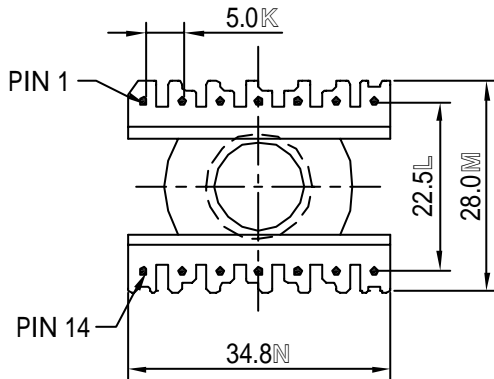
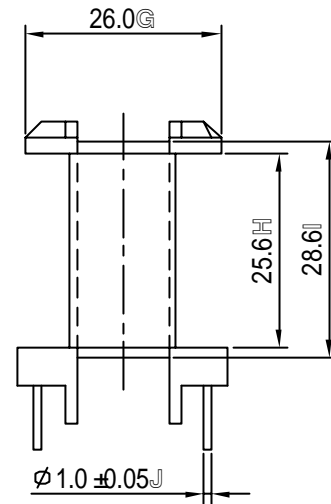
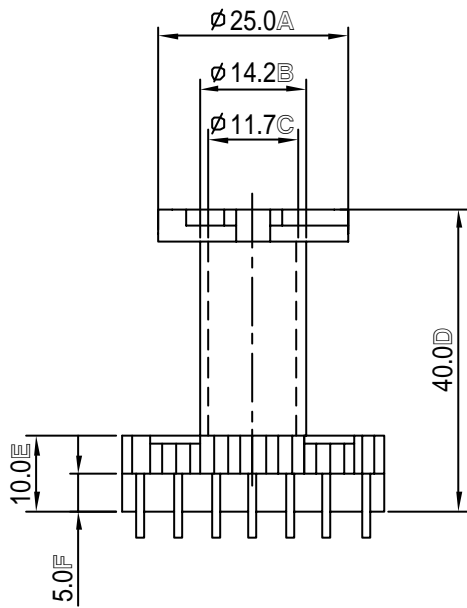
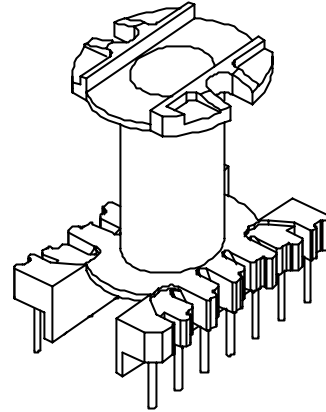
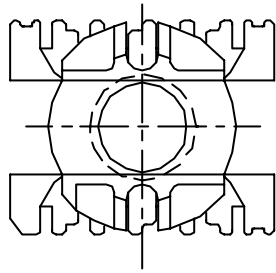
1/1

UNIT

MM

-D2-ER35-P07 -

本图面版权属台湾树林，本人仅将其汇总。不承担任何法律责任！！QQ: 195502110

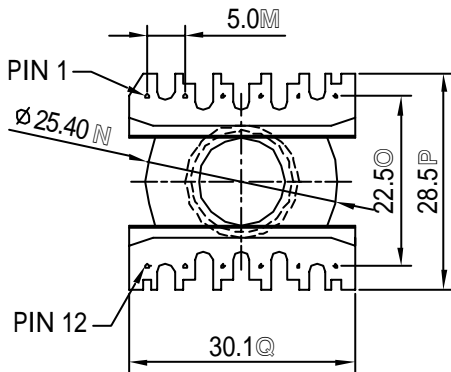
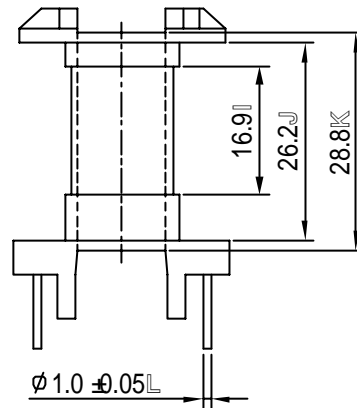
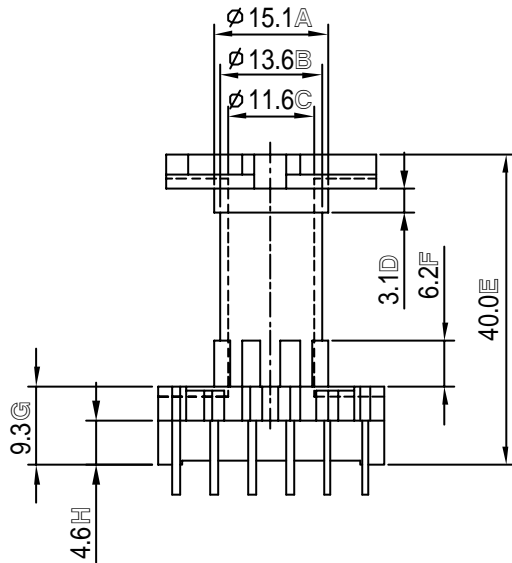
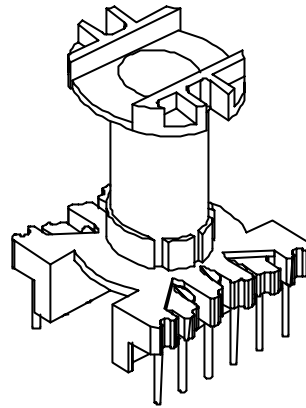
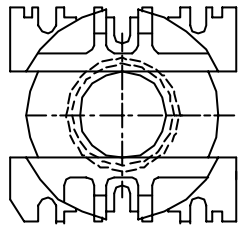


REVISIONS				
ISSUE	SYM	DATE	DRAFTER	CHECKER

NOTE:

 <b>樹林企業股份有限公司</b> TAIWAN SHULIN ENTERPRISE CO., LTD	MODEL		TF-3512-3	
	MATERIAL		PHENOLIC	
WEB: www.bobbin.com.tw	UL RATING	UL94V-0	TOLERANCE .X $\pm 0.2$ .XX $\pm 0.15$ PIN PITCH $\pm 0.1$	
e-mail: shulin@bobbin.com.tw	PIN MATERIAL	CP WIRE		
(TAIWAN TAIPEI) TEL: (886)2-2223-1500 FAX: (886)2-2222-4646	EDITION	1.0		
(CHINA DONGGUAN) TEL: (86)769-7730-785 FAX: (86)769-7312-387	DATE	2003/4/1	UNIT	MM
(CHINA SUZHOU) TEL: (86)512-6621-0580 FAX: (86)512-6621-0685	SCALE	1/1		

-D2-ER35-P08 -

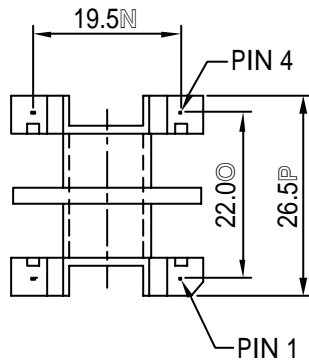
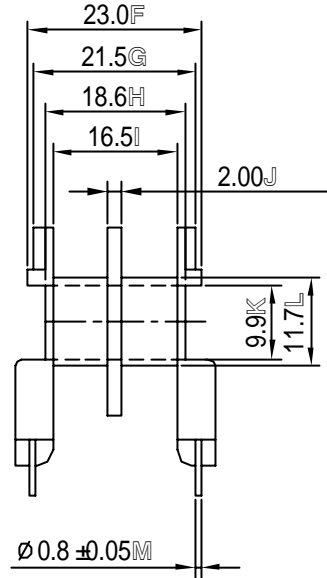
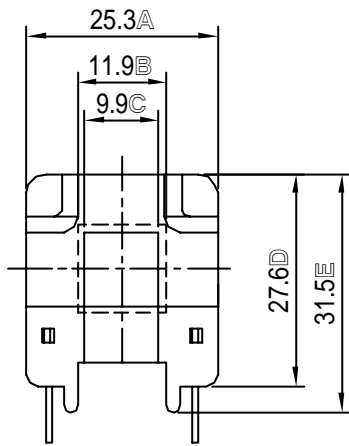
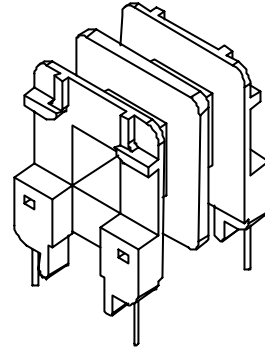
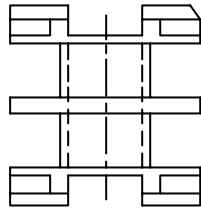


REVISIONS				
ISSUE	SYM	DATE	DRAFTER	CHECKER

NOTE:

 <b>樹林企業股份有限公司</b> TAIWAN SHULIN ENTERPRISE CO., LTD	MODEL		TF-3513	
	MATERIAL		PHENOLIC	
WEB: www.bobbin.com.tw	UL RATING	UL94V-0	TOLERANCE .X $\pm 0.2$ .XX $\pm 0.15$ PIN PITCH $\pm 0.1$	
e-mail: shulin@bobbin.com.tw	PIN MATERIAL	CP WIRE		
(TAIWAN TAIPEI) TEL: (886)2-2223-1500 FAX: (886)2-2222-4646	EDITION	2.0		
(CHINA DONGGUAN) TEL: (86)769-7730-785 FAX: (86)769-7312-387	DATE	2002/8/15	UNIT	MM
(CHINA SUZHOU) TEL: (86)512-6621-0580 FAX: (86)512-6621-0685	SCALE	1/1		

-D2-ER35-P09 -

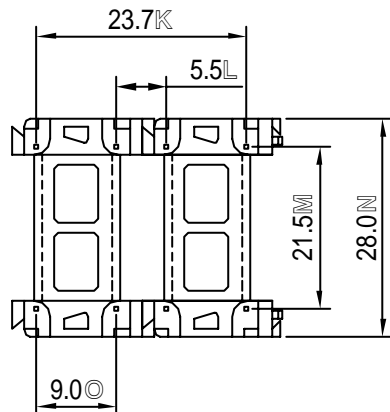
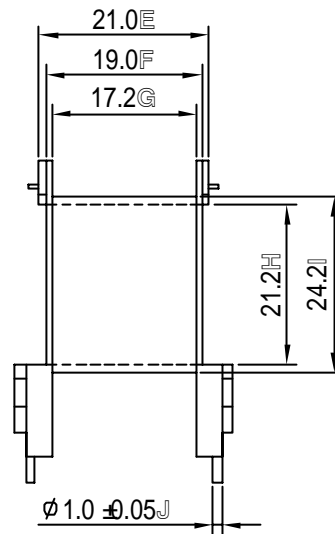
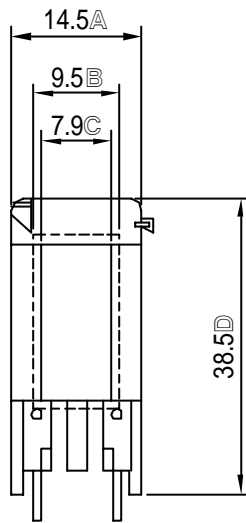
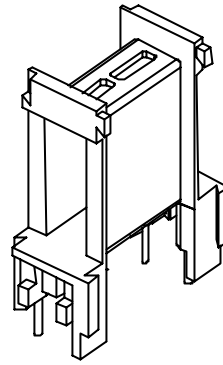
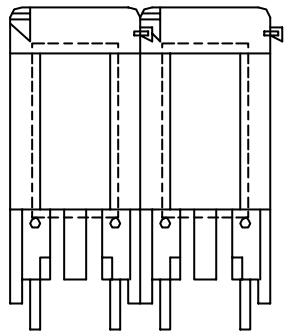


REVISIONS				
ISSUE	SYM	DATE	DRAFTER	CHECKER
NOTE:				

 <b>樹林企業股份有限公司</b> TAIWAN SHULIN ENTERPRISE CO., LTD	MODEL		TF-3514	
	MATERIAL		PBT	
WEB:www.bobbin.com.tw	UL RATING	UL94V-0	TOLERANCE .X $\pm 0.2$ .XX $\pm 0.15$ PIN PITCH $\pm 0.1$	
e-mail:shulin@bobbin.com.tw	PIN MATERIAL	CP WIRE		
(TAIWAN TAIPEI) TEL: (886)2-2223-1500 FAX: (886)2-2222-4646	EDITION	2.0		
(CHINA DONGGUAN) TEL: (86)769-7730-785 FAX: (86)769-7312-387	DATE	2002/8/15	UNIT	MM
(CHINA SUZHOU) TEL: (86)512-6621-0580 FAX: (86)512-6621-0685	SCALE	1/1		

-D1-E35-P10 -



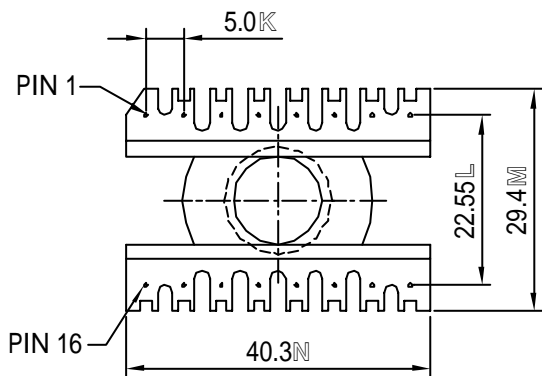
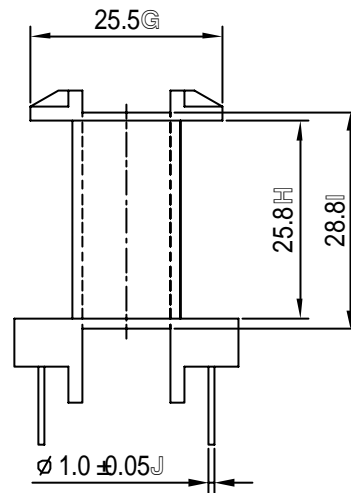
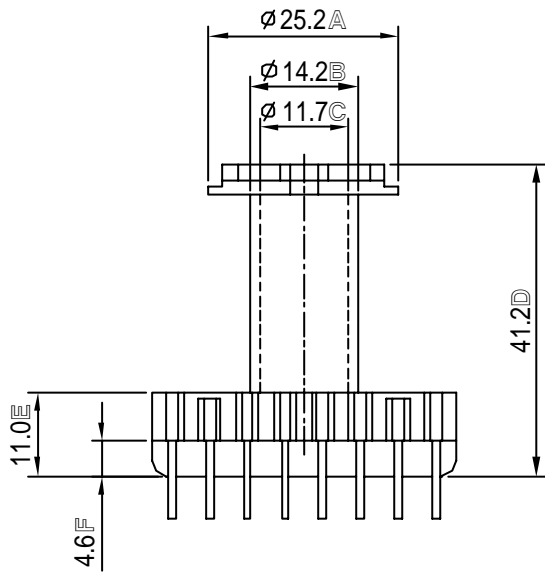
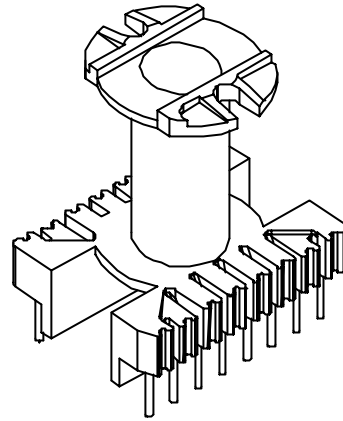
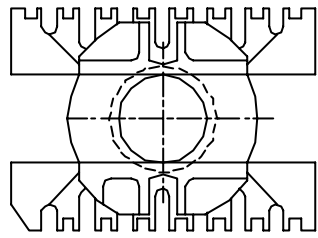


REVISIONS				
ISSUE	SYM	DATE	DRAFTER	CHECKER

NOTE:

 <b>樹林企業股份有限公司</b> TAIWAN SHULIN ENTERPRISE CO., LTD	MODEL		TF-3515	
	MATERIAL		PET (FR 530)	
WEB:www.bobbin.com.tw	UL RATING	UL94V-0	TOLERANCE .X $\pm 0.2$ .XX $\pm 0.15$ PIN PITCH $\pm 0.1$	
e-mail:shulin@bobbin.com.tw	PIN MATERIAL	CP WIRE		
(TAIWAN TAIPEI) TEL:(886)2-2223-1500 FAX:(886)2-2222-4646	EDITION	2.0		
(CHINA DONGGUAN) TEL:(86)769-7730-785 FAX:(86)769-7312-387	DATE	2002/8/15		
(CHINA SUZHOU) TEL:(86)512-6621-0580 FAX:(86)512-6621-0685	SCALE	1/1	UNIT	MM

-D1-E35-P11 -

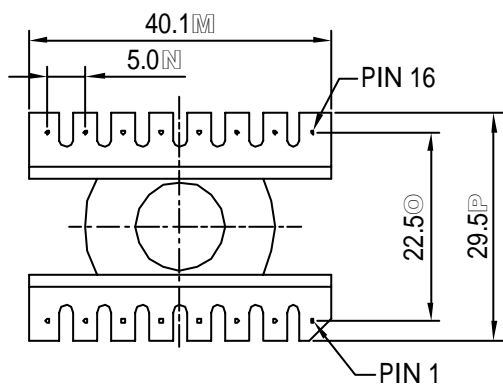
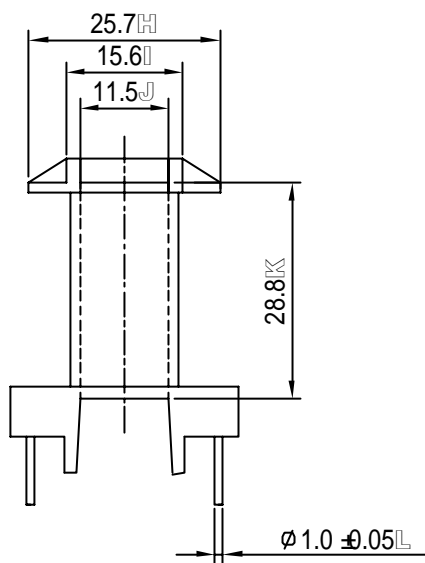
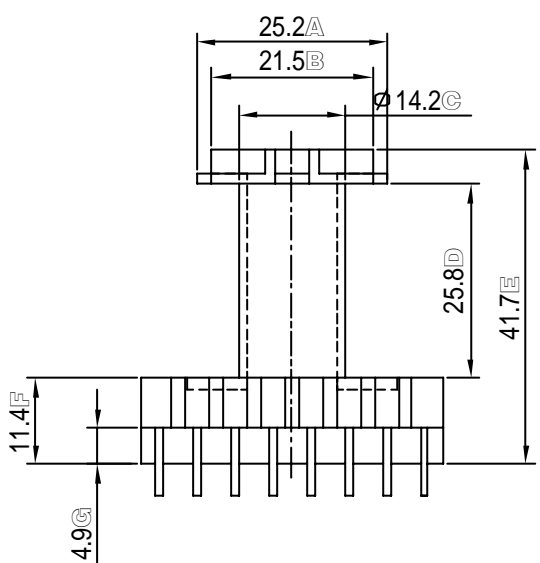
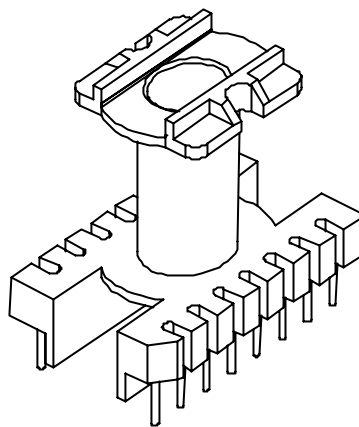
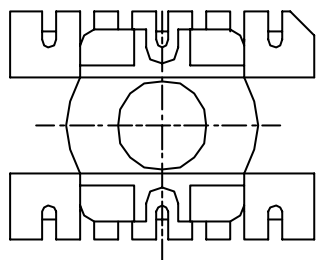


REVISIONS				
ISSUE	SYM	DATE	DRAFTER	CHECKER

NOTE:

 <b>樹林企業股份有限公司</b> TAIWAN SHULIN ENTERPRISE CO., LTD	MODEL	TF-3516		
	MATERIAL	PHENOLIC		
WEB: www.bobbin.com.tw	UL RATING	UL94V-0	TOLERANCE .X $\pm 0.2$ .XX $\pm 0.15$ PIN PITCH $\pm 0.1$	
e-mail: shulin@bobbin.com.tw	PIN MATERIAL	CP WIRE		
(TAIWAN TAIPEI) TEL: (886)2-2223-1500 FAX: (886)2-2222-4646	EDITION	2.0		
(CHINA DONGGUAN) TEL: (86)769-7730-785 FAX: (86)769-7312-387	DATE	2002/8/15	UNIT	MM
(CHINA SUZHOU) TEL: (86)512-6621-0580 FAX: (86)512-6621-0685	SCALE	1/1		

-D2-ER35-P10 -

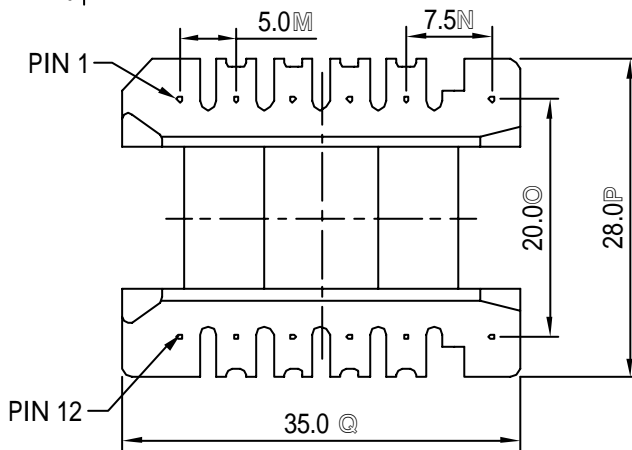
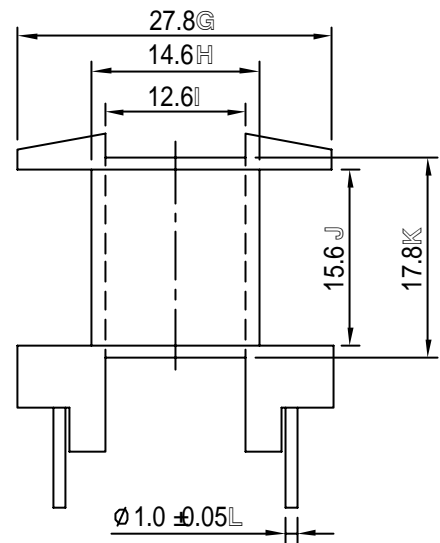
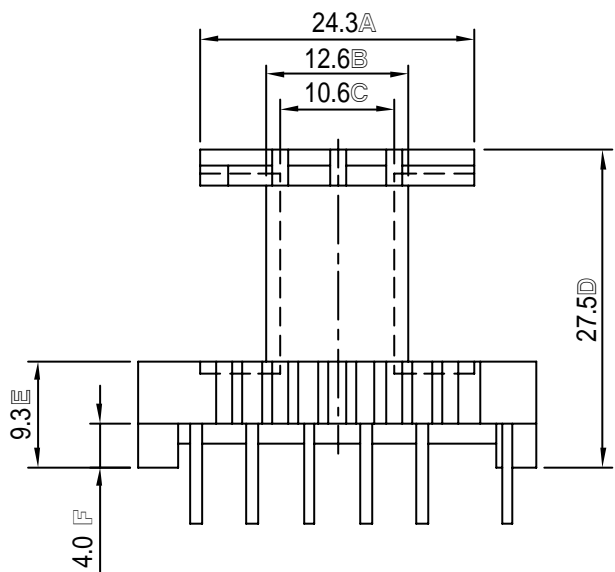
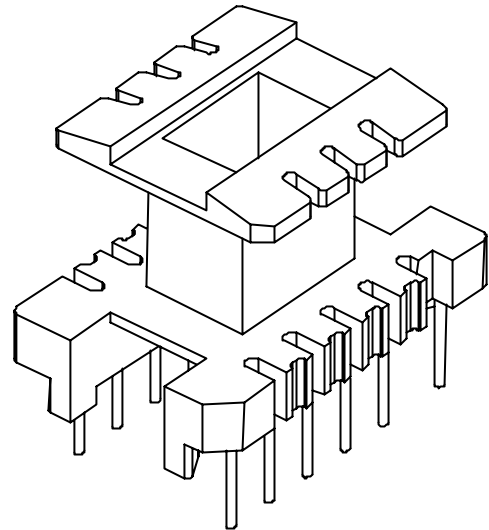
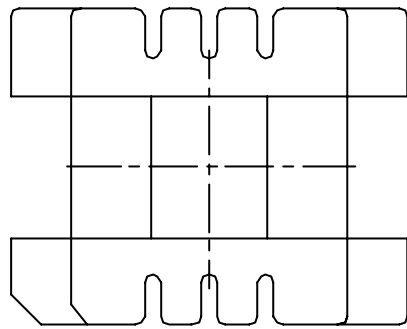


REVISIONS				
ISSUE	SYM	DATE	DRAFTER	CHECKER

NOTE:

 <b>樹林企業股份有限公司</b> TAIWAN SHULIN ENTERPRISE CO., LTD	MODEL		TF-3516-1	
	MATERIAL		PHENOLIC	
WEB:www.bobbin.com.tw	UL RATING	UL94V-0	TOLERANCE .X $\pm 0.2$ .XX $\pm 0.15$ PIN PITCH $\pm 0.1$	
e-mail:shulin@bobbin.com.tw	PIN MATERIAL	CP WIRE		
(TAIWAN TAIPEI) TEL: (886)2-2223-1500 FAX: (886)2-2222-4646	EDITION	2.0		
(CHINA DONGGUAN) TEL: (86)769-7730-785 FAX: (86)769-7312-387	DATE	2002/8/15		
(CHINA SUZHOU) TEL: (86)512-6621-0580 FAX: (86)512-6621-0685	SCALE	1/1	UNIT	MM

- D2-ER35-P11 -



REVISIONS				
ISSUE	SYM	DATE	DRAFTER	CHECKER

NOTE:



樹林企業股份有限公司

TAIWAN SHULIN ENTERPRISE CO., LTD

WEB:www.bobbin.com.tw

e-mail:shulin@bobbin.com.tw

(TAIWAN TAIPEI) TEL:(886)2-2223-1500 FAX:(886)2-2222-4646

(CHINA DONGGUAN) TEL:(86)769-7730-785 FAX:(86)769-7312-387

(CHINA SUZHOU) TEL:(86)512-6621-0580 FAX:(86)512-6621-0685

MODEL

TF-3517

MATERIAL

PHENOLIC

UL RATING

UL94V-0

TOLERANCE

PIN MATERIAL

CP WIRE

.X  $\pm 0.2$

EDITION

2.0

.XX  $\pm 0.15$

DATE

2002/8/15

PIN PITCH  $\pm 0.1$

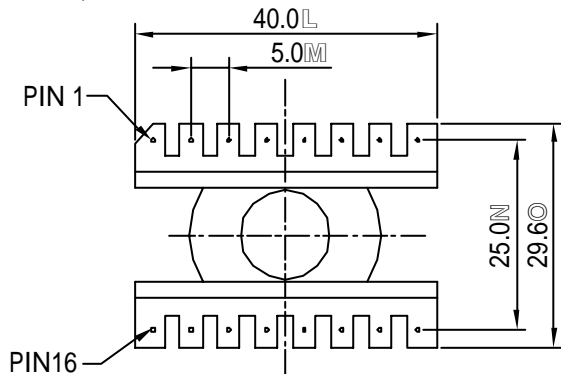
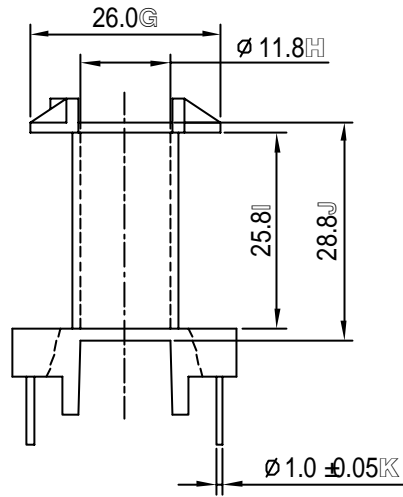
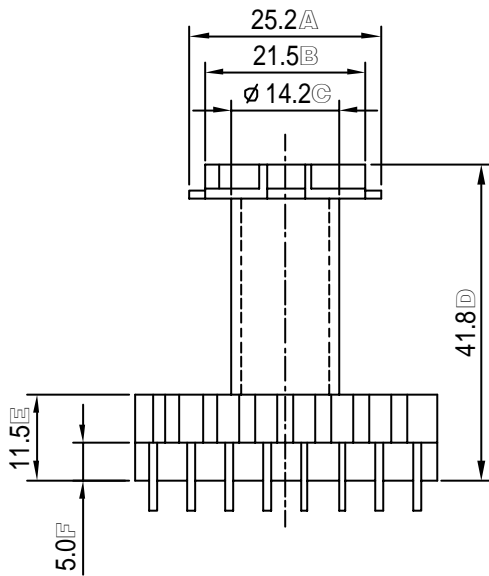
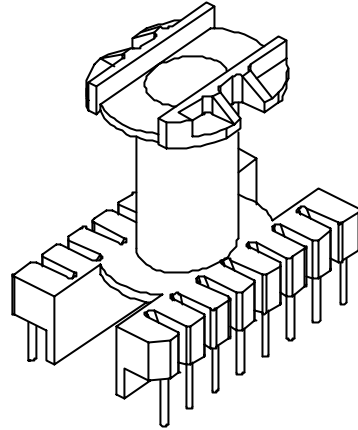
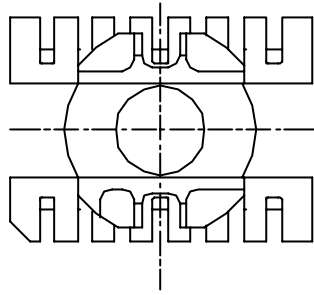
SCALE

1.5/1

UNIT

MM

-D1-E35-P12 -

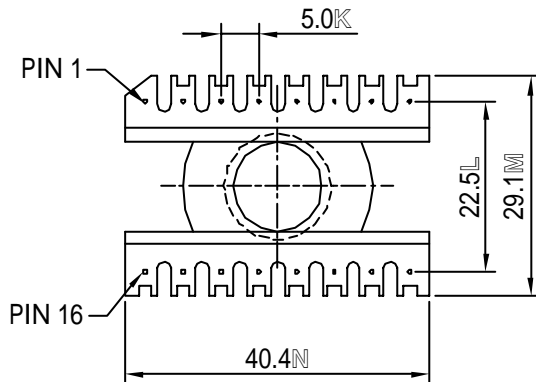
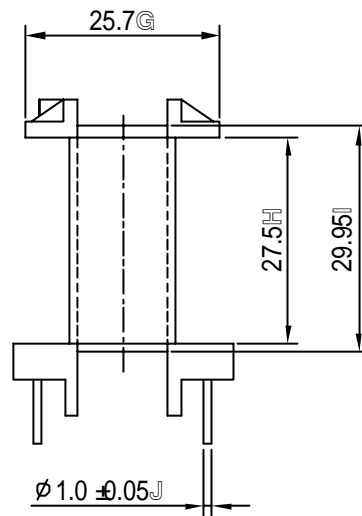
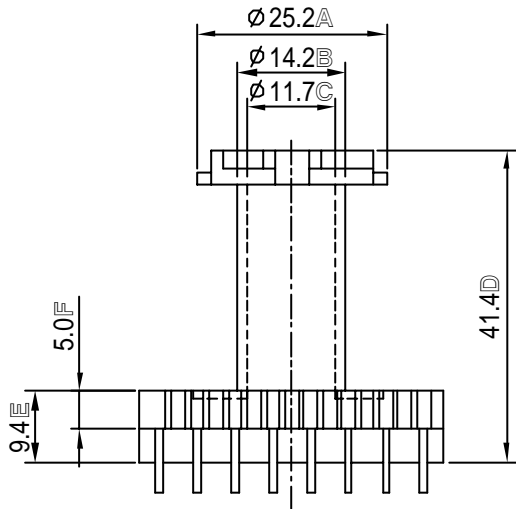
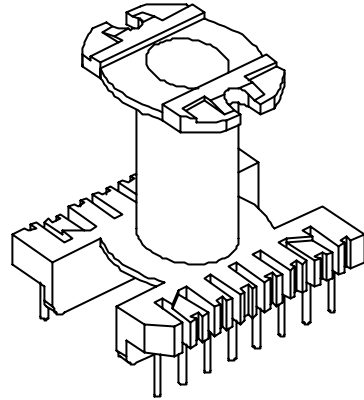
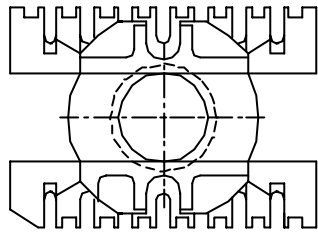


REVISIONS				
ISSUE	SYM	DATE	DRAFTER	CHECKER

NOTE:

 <b>樹林企業股份有限公司</b> TAIWAN SHULIN ENTERPRISE CO., LTD	MODEL	TF-3518		
	MATERIAL	PHENOLIC		
WEB: www.bobbin.com.tw	UL RATING	UL94V-0	TOLERANCE .X $\pm 0.2$ .XX $\pm 0.15$ PIN PITCH $\pm 0.1$	
e-mail: shulin@bobbin.com.tw	PIN MATERIAL	CP WIRE		
(TAIWAN TAIPEI) TEL: (886)2-2223-1500 FAX: (886)2-2222-4646	EDITION	2.0		
(CHINA DONGGUAN) TEL: (86)769-7730-785 FAX: (86)769-7312-387	DATE	2002/8/15	UNIT	MM
(CHINA SUZHOU) TEL: (86)512-6621-0580 FAX: (86)512-6621-0685	SCALE	1/1		

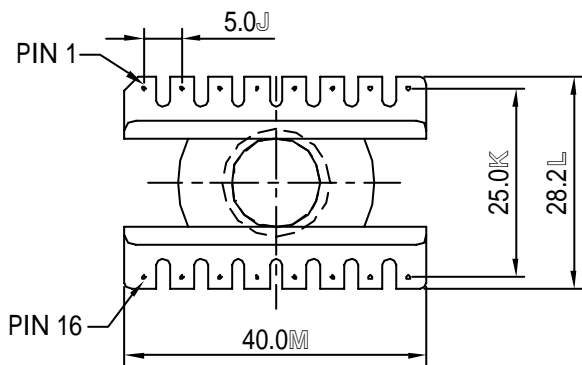
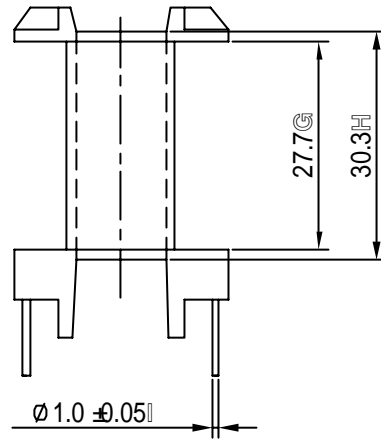
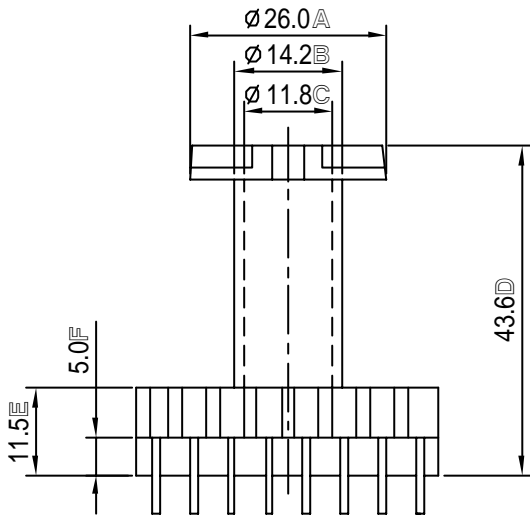
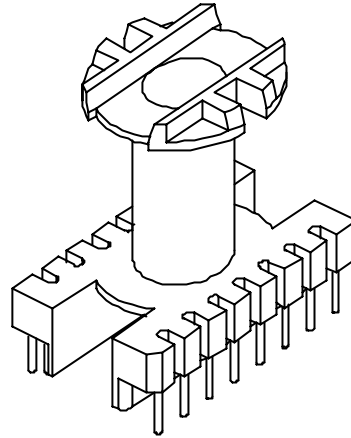
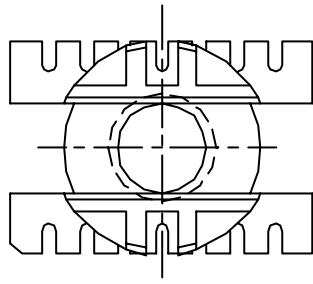
-D2-ER35-P12 -



REVISIONS				
ISSUE	SYM	DATE	DRAFTER	CHECKER
NOTE:				

 <b>樹林企業股份有限公司</b> TAIWAN SHULIN ENTERPRISE CO., LTD	MODEL		TF-3519	
	MATERIAL		PHENOLIC	
WEB: www.bobbin.com.tw	UL RATING	UL94V-0	TOLERANCE .X $\pm 0.2$ .XX $\pm 0.15$ PIN PITCH $\pm 0.1$	
e-mail: shulin@bobbin.com.tw	PIN MATERIAL	CP WIRE		
(TAIWAN TAIPEI) TEL: (886)2-2223-1500 FAX: (886)2-2222-4646	EDITION	2.0		
(CHINA DONGGUAN) TEL: (86)769-7730-785 FAX: (86)769-7312-387	DATE	2002/8/15	UNIT	MM
(CHINA SUZHOU) TEL: (86)512-6621-0580 FAX: (86)512-6621-0685	SCALE	1/1		

-D2-ER35-P13 -

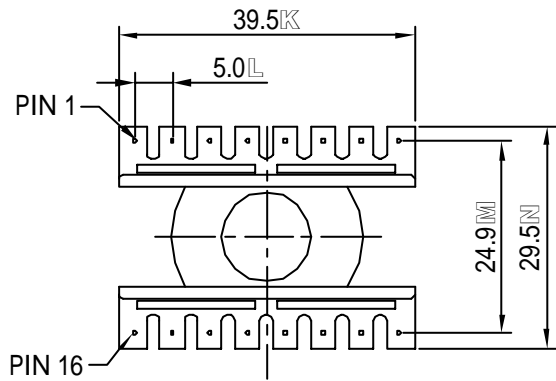
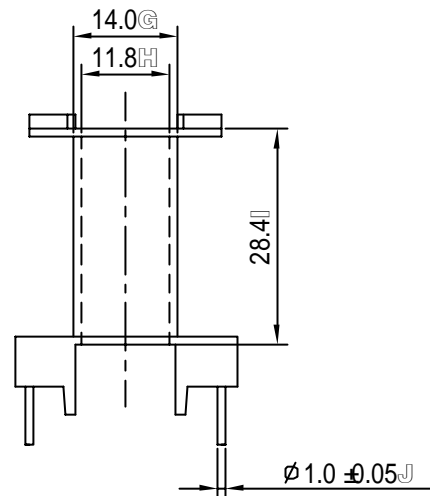
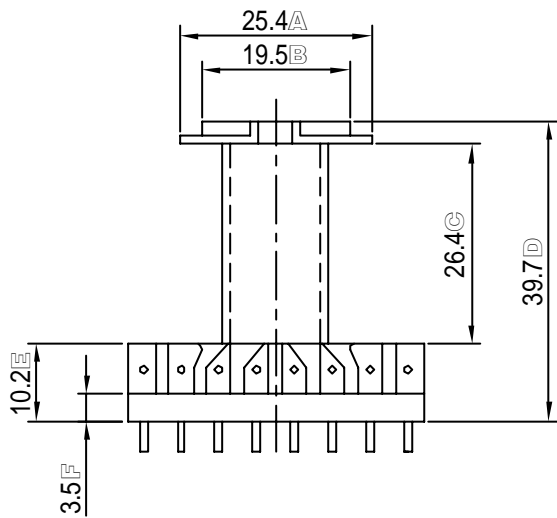
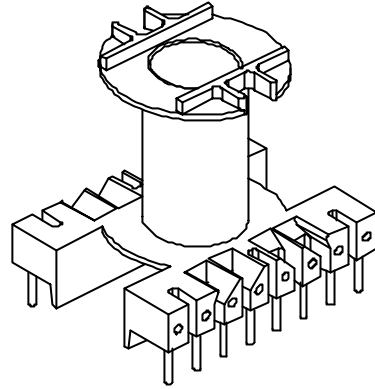
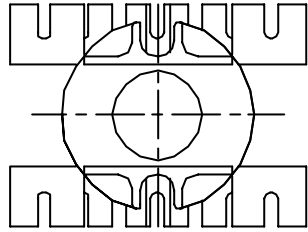


REVISIONS				
ISSUE	SYM	DATE	DRAFTER	CHECKER

NOTE:

 <b>樹林企業股份有限公司</b> TAIWAN SHULIN ENTERPRISE CO., LTD	MODEL		TF-3520	
	MATERIAL		PHENOLIC	
WEB:www.bobbin.com.tw	UL RATING	UL94V-0	TOLERANCE .X ±0.2 .XX ±0.15 PIN PITCH ±0.1	
e-mail:shulin@bobbin.com.tw	PIN MATERIAL	CP WIRE		
(TAIWAN TAIPEI) TEL:(886)2-2223-1500 FAX:(886)2-2222-4646	EDITION	2.0		
(CHINA DONGGUAN) TEL:(86)769-7730-785 FAX:(86)769-7312-387	DATE	2002/8/15	UNIT	MM
(CHINA SUZHOU) TEL:(86)512-6621-0580 FAX:(86)512-6621-0685	SCALE	1/1		

-D2-ER35-P14 -



REVISIONS				
ISSUE	SYM	DATE	DRAFTER	CHECKER

NOTE:



樹林企業股份有限公司

TAIWAN SHULIN ENTERPRISE CO., LTD

WEB: www.bobbin.com.tw

e-mail: shulin@bobbin.com.tw

(TAIWAN TAIPEI) TEL: (886)2-2223-1500 FAX: (886)2-2222-4646

(CHINA DONGGUAN) TEL: (86)769-7730-785 FAX: (86)769-7312-387

(CHINA SUZHOU) TEL: (86)512-6621-0580 FAX: (86)512-6621-0685

MODEL

TF-3521

MATERIAL

PET

UL RATING

UL94V-0

PIN MATERIAL

CP WIRE

EDITION

2.0

DATE

2002/8/15

SCALE

1/1

TOLERANCE

.X  $\pm 0.2$

.XX  $\pm 0.15$

PIN PITCH  $\pm 0.1$

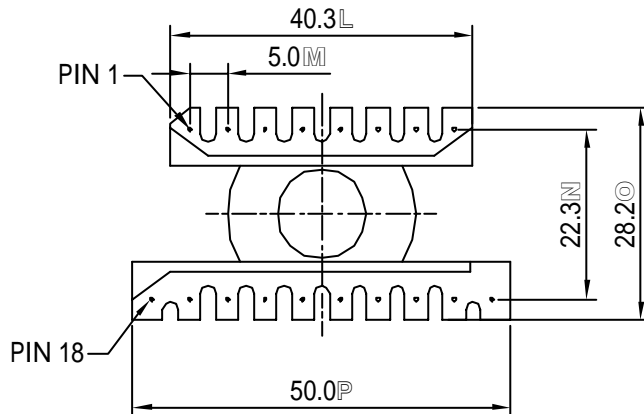
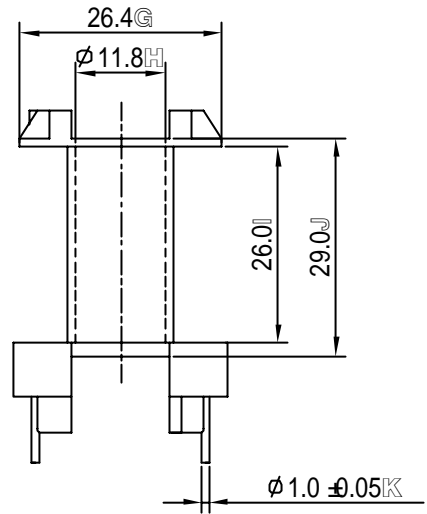
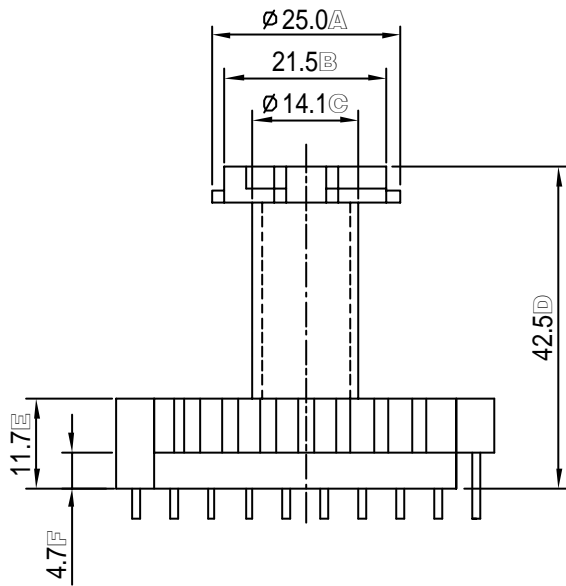
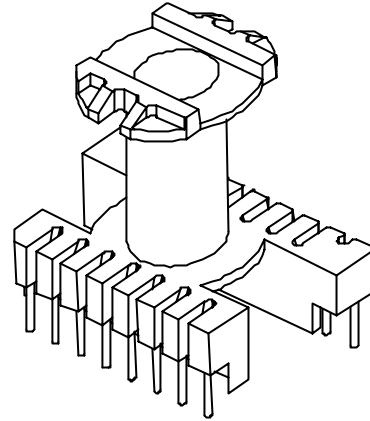
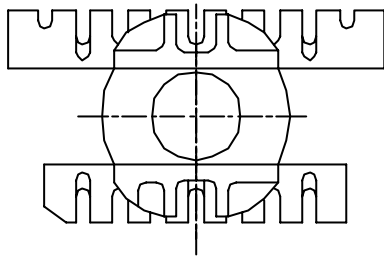
UNIT

MM

- D2-ER35-P15 -

本图面版权属台湾树林，本人仅将其汇总。不承担任何法律责任！！QQ: 195502110

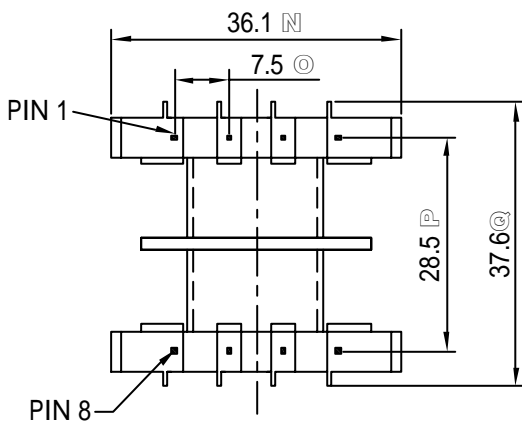
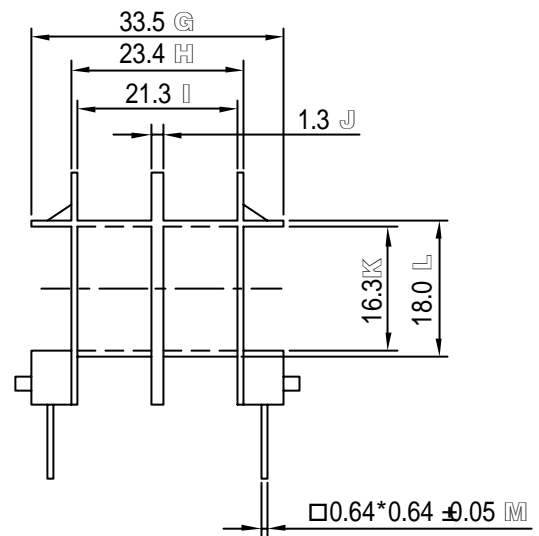
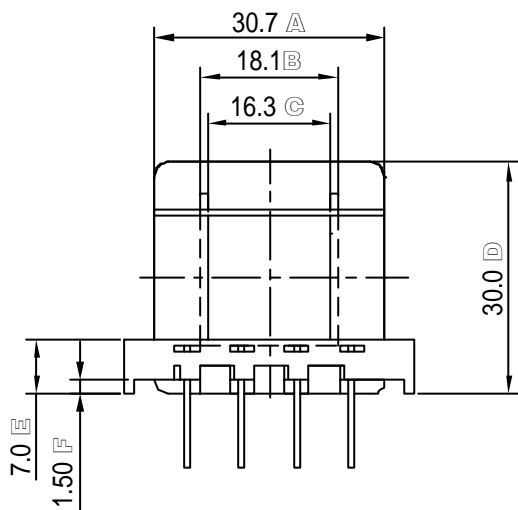
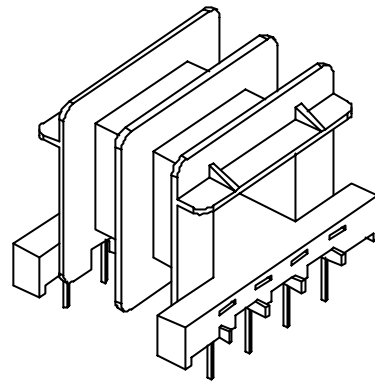
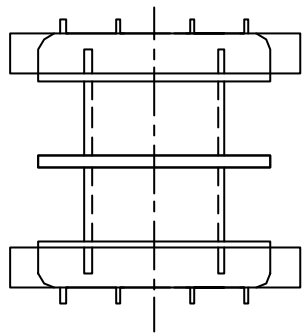




REVISIONS				
ISSUE	SYM	DATE	DRAFTER	CHECKER
NOTE:				

 <b>樹林企業股份有限公司</b> TAIWAN SHULIN ENTERPRISE CO., LTD	MODEL		TF-3522	
	MATERIAL		PHENOLIC	
WEB: www.bobbin.com.tw	UL RATING	UL94V-0	TOLERANCE .X $\pm 0.2$ .XX $\pm 0.15$ PIN PITCH $\pm 0.1$	
e-mail: shulin@bobbin.com.tw	PIN MATERIAL	CP WIRE		
(TAIWAN TAIPEI) TEL: (886)2-2223-1500 FAX: (886)2-2222-4646	EDITION	2.0		
(CHINA DONGGUAN) TEL: (86)769-7730-785 FAX: (86)769-7312-387	DATE	2002/8/15	UNIT	MM
(CHINA SUZHOU) TEL: (86)512-6621-0580 FAX: (86)512-6621-0685	SCALE	1/1		

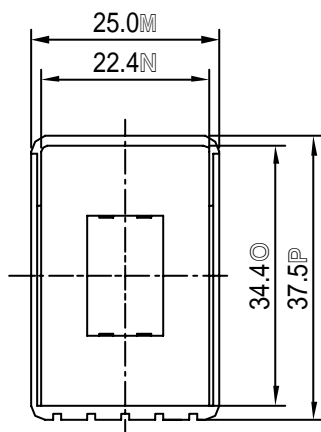
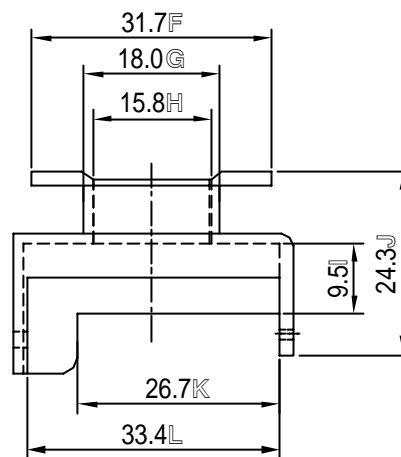
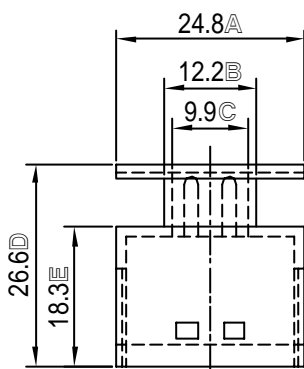
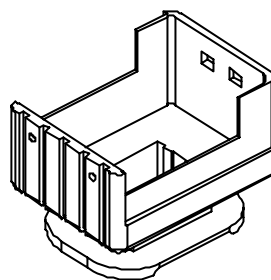
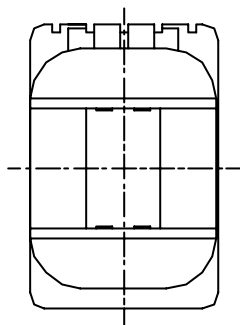
- D2-ER35-P16 -



REVISIONS				
ISSUE	SYM	DATE	DRAFTER	CHECKER
NOTE:				

 <b>樹林企業股份有限公司</b> TAIWAN SHULIN ENTERPRISE CO., LTD	MODEL	TF-3523		
	MATERIAL	PHENOLIC		
WEB:www.bobbin.com.tw	UL RATING	UL94V-0	TOLERANCE .X ±0.2 .XX ±0.15 PIN PITCH ±0.1	
e-mail:shulin@bobbin.com.tw	PIN MATERIAL	PHOS.B		
(TAIWAN TAIPEI) TEL:(886)2-2223-1500 FAX:(886)2-2222-4646	EDITION	2.0		
(CHINA DONGGUAN) TEL:(86)769-7730-785 FAX:(86)769-7312-387	DATE	2002/8/15		
(CHINA SUZHOU) TEL:(86)512-6621-0580 FAX:(86)512-6621-0685	SCALE	1/1	UNIT	MM

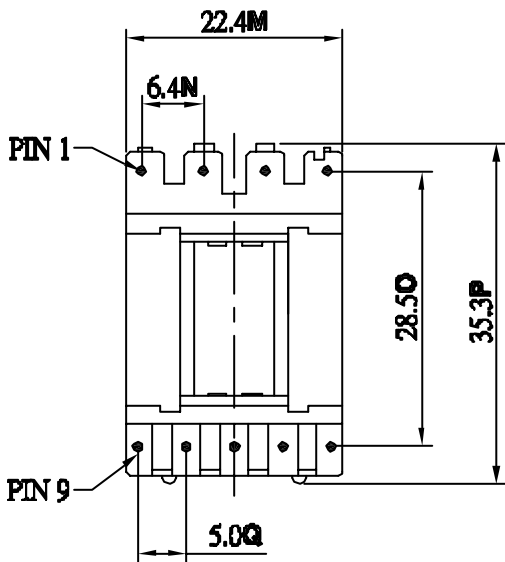
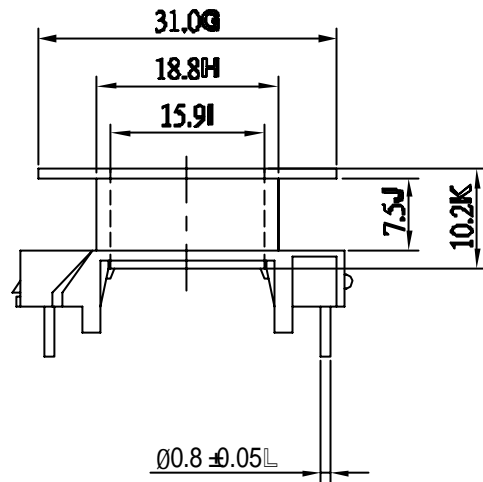
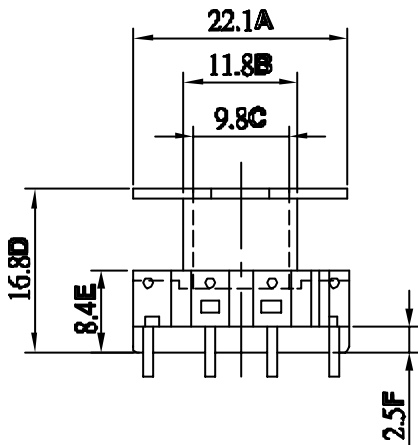
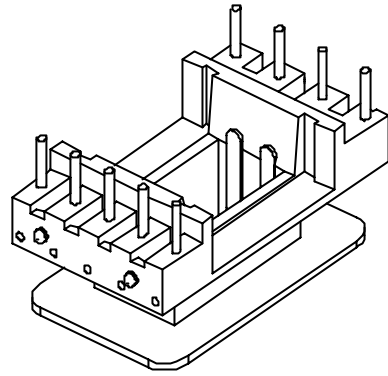
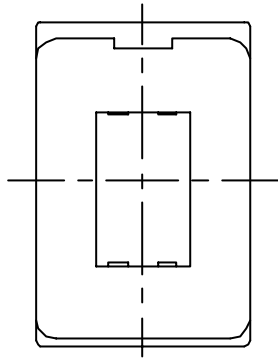
-D1-E35-P13 -



REVISIONS				
ISSUE	SYM	DATE	DRAFTER	CHECKER
NOTE:				

 <b>樹林企業股份有限公司</b> TAIWAN SHULIN ENTERPRISE CO., LTD	MODEL		TF-3524(COVER)	
	MATERIAL		PET/NYLON	
WEB:www.bobbin.com.tw	UL RATING	UL94V-0	TOLERANCE  .X ±0.2 .XX ±0.15 PIN PITCH ±0.1	
e-mail:shulin@bobbin.com.tw	PIN MATERIAL	CP WIRE		
(TAIWAN TAIPEI) TEL:(886)2-2223-1500 FAX:(886)2-2222-4646	EDITION	3.0		
(CHINA DONGGUAN) TEL:(86)769-7730-785 FAX:(86)769-7312-387	DATE	2003/5/26		
(CHINA SUZHOU) TEL:(86)512-6621-0580 FAX:(86)512-6621-0685	SCALE	1/1	UNIT	MM

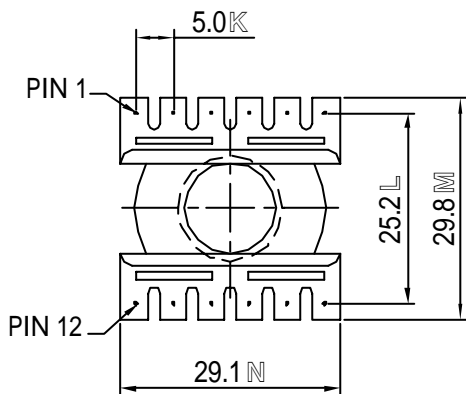
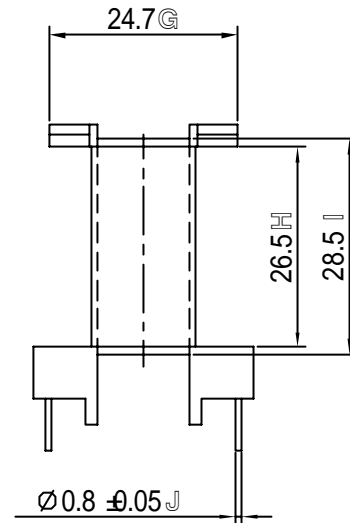
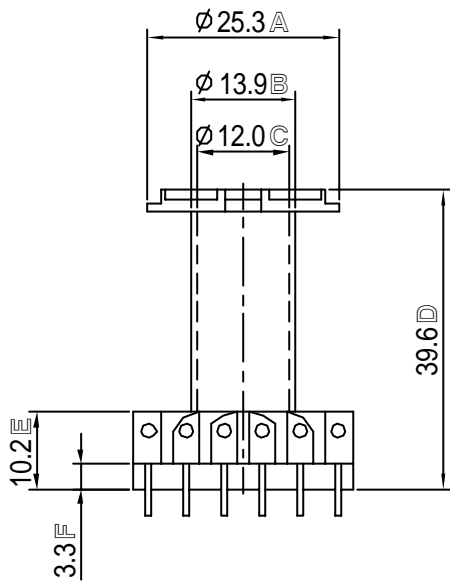
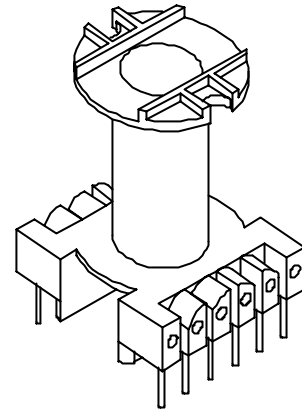
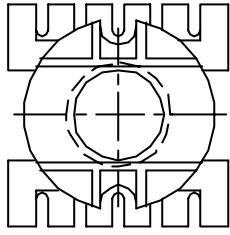
-D1-E35-P15 -



REVISIONS				
ISSUE	SYM	DATE	DRAFTER	CHECKER
NOTE:				

 <b>樹林企業股份有限公司</b> TAIWAN SHULIN ENTERPRISE CO., LTD	MODEL		TF-3524	
	MATERIAL		PBT	
WEB:www.bobbin.com.tw	UL RATING	UL94V-0	TOLERANCE .X $\pm 0.2$ .XX $\pm 0.15$ PIN PITCH $\pm 0.1$	
e-mail:shulin@bobbin.com.tw	PIN MATERIAL	CP WIRE		
(TAIWAN TAIPEI) TEL:(886)2-2223-1500 FAX:(886)2-2222-4646	EDITION	2.0		
(CHINA DONGGUAN) TEL:(86)769-7730-785 FAX:(86)769-7312-387	DATE	2002/8/15	UNIT	MM
(CHINA SUZHOU) TEL:(86)512-6621-0580 FAX:(86)512-6621-0685	SCALE	2/1		

-D1-E35-P14 -



REVISIONS				
ISSUE	SYM	DATE	DRAFTER	CHECKER

NOTE:



樹林企業股份有限公司

TAIWAN SHULIN ENTERPRISE CO., LTD

WEB: www.bobbin.com.tw

e-mail: shulin@bobbin.com.tw

(TAIWAN TAIPEI) TEL: (886)2-2223-1500 FAX: (886)2-2222-4646

(CHINA DONGGUAN) TEL: (86)769-7730-785 FAX: (86)769-7312-387

(CHINA SUZHOU) TEL: (86)512-6621-0580 FAX: (86)512-6621-0685

MODEL

TF-3525

MATERIAL

PET

UL RATING

UL94V-0

PIN MATERIAL

CP WIRE

EDITION

2.0

DATE

2002/8/15

SCALE

1/1

TOLERANCE

.X  $\pm 0.2$

.XX  $\pm 0.15$

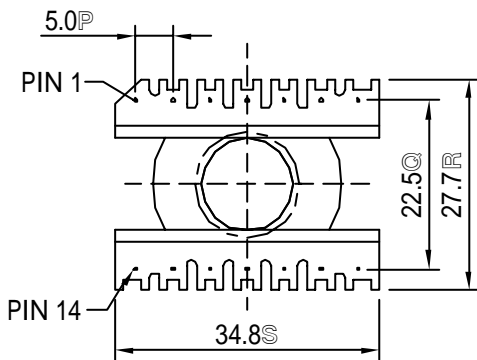
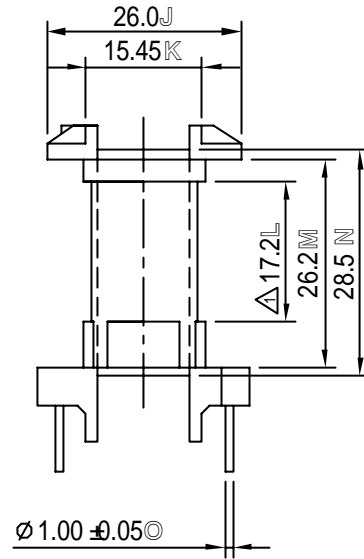
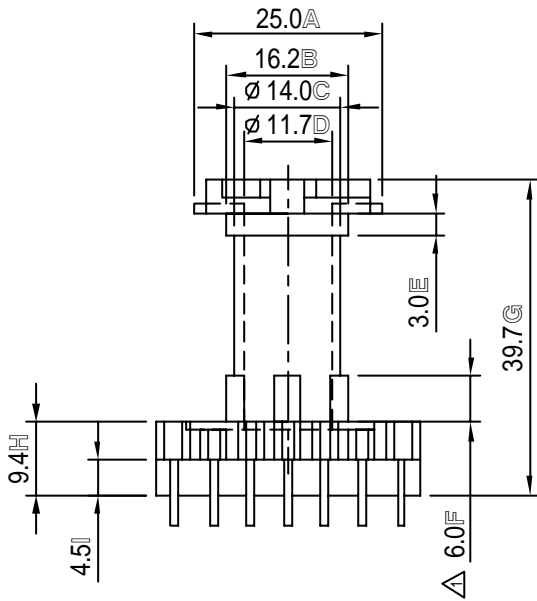
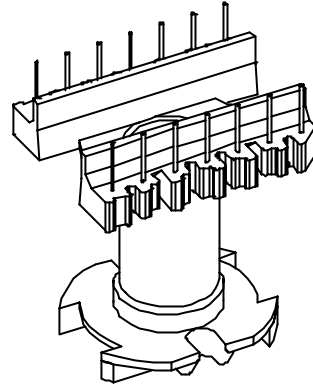
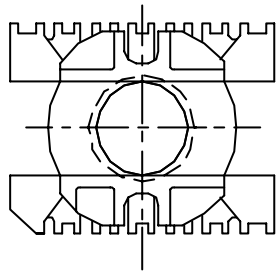
PIN PITCH  $\pm 0.1$

UNIT

MM

-D2-ER35-P17 -

本图面版权属台湾树林，本人仅将其汇总。不承担任何法律责任！！QQ: 195502110

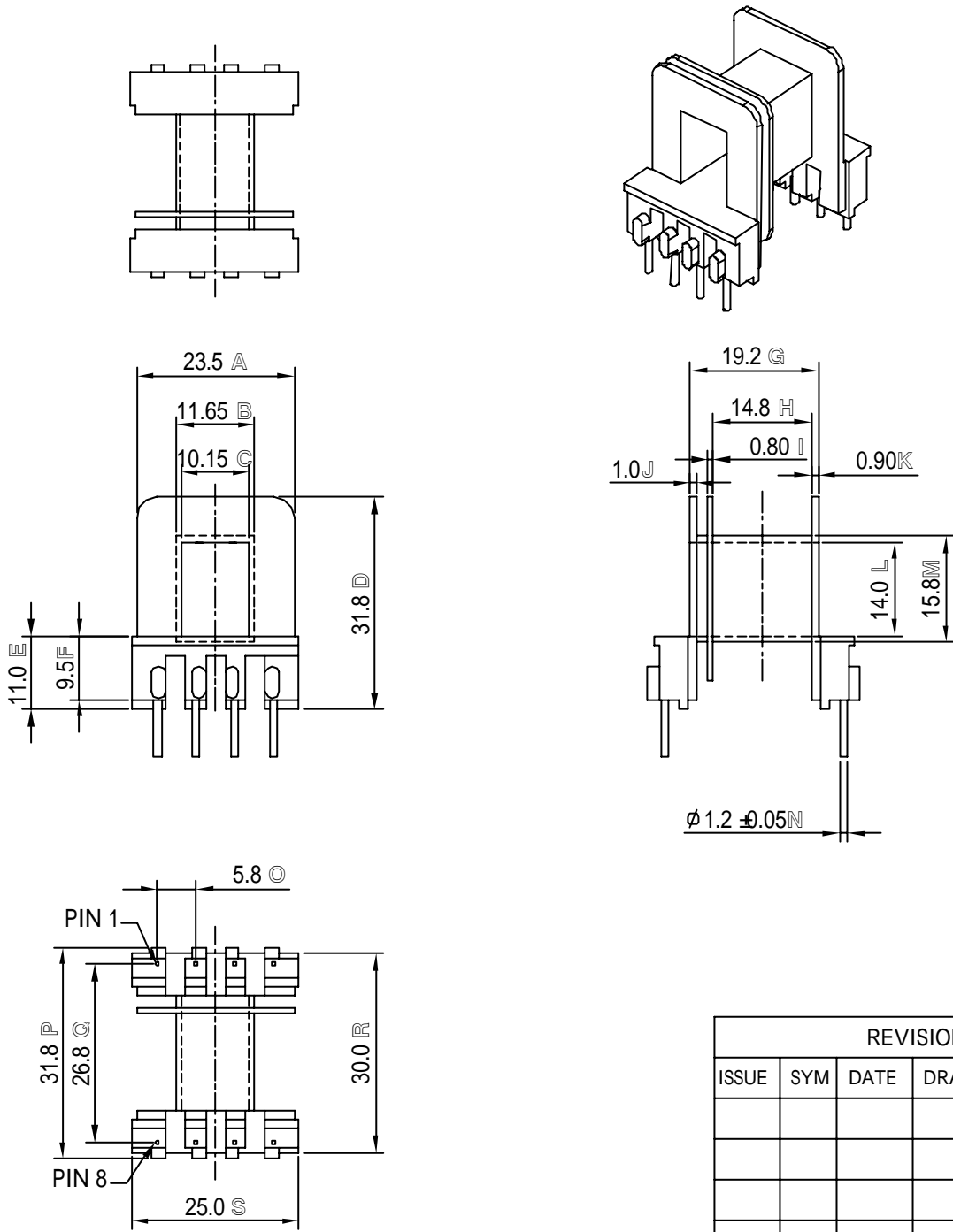


REVISIONS				
ISSUE	SYM	DATE	DRAFTER	CHECKER
1.	Δ	2003/6/12	Leo	Jackie

NOTE:

 <b>樹林企業股份有限公司</b> TAIWAN SHULIN ENTERPRISE CO., LTD	MODEL		TF-3526	
	MATERIAL		PHENOLIC	
WEB:www.bobbin.com.tw	UL RATING	UL94V-0	TOLERANCE .X ±0.2 .XX ±0.15 PIN PITCH ±0.1	
e-mail:shulin@bobbin.com.tw	PIN MATERIAL	CP WIRE		
(TAIWAN TAIPEI) TEL:(886)2-2223-1500 FAX:(886)2-2222-4646	EDITION	2.0A		
(CHINA DONGGUAN) TEL:(86)769-7730-785 FAX:(86)769-7312-387	DATE	2003/6/12	UNIT	MM
(CHINA SUZHOU) TEL:(86)512-6621-0580 FAX:(86)512-6621-0685	SCALE	1/1		

-D2- ER35-P18 -

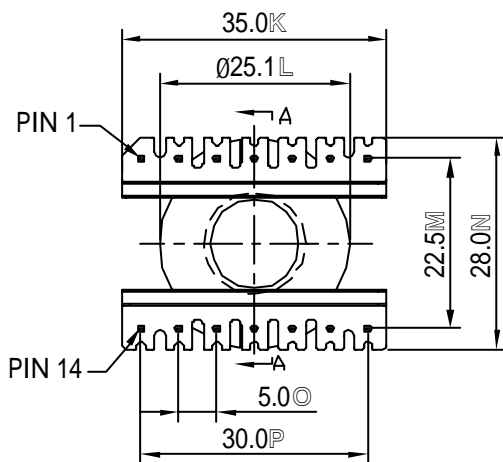
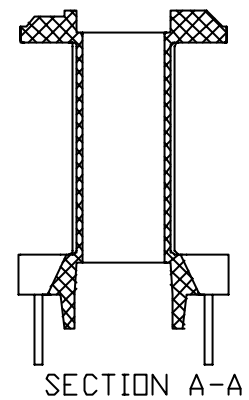
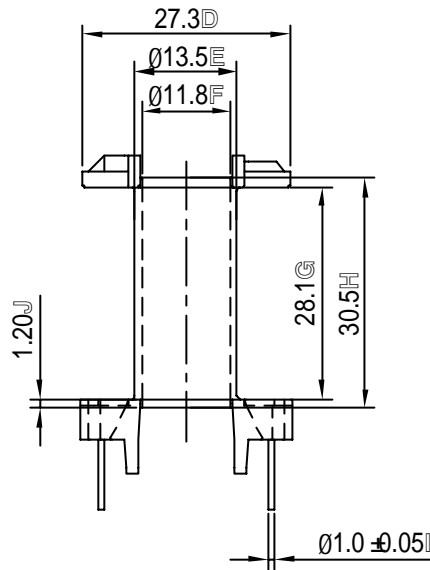
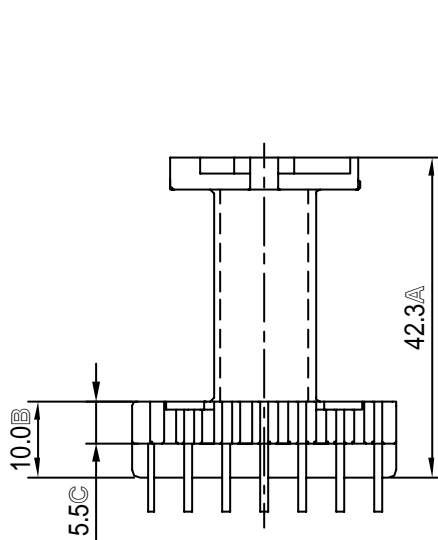
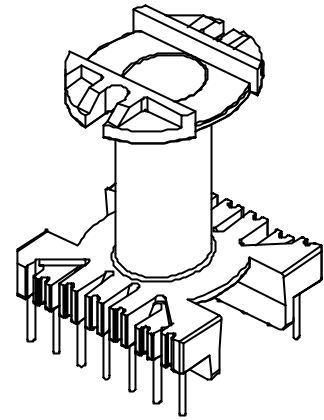
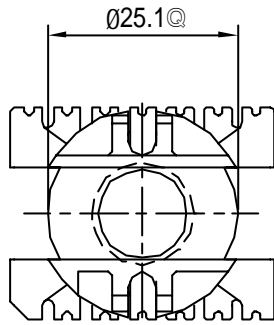


REVISIONS				
ISSUE	SYM	DATE	DRAFTER	CHECKER

NOTE:

 <b>樹林企業股份有限公司</b> TAIWAN SHULIN ENTERPRISE CO., LTD	MODEL		TF-3528	
	MATERIAL		PBT	
WEB: www.bobbin.com.tw	UL RATING	UL94V-0	TOLERANCE  .X ±0.2 .XX ±0.15 PIN PITCH ±0.1	
e-mail: shulin@bobbin.com.tw	PIN MATERIAL	CP WIRE		
(TAIWAN TAIPEI) TEL: (886)2-2223-1500 FAX: (886)2-2222-4646	EDITION	2.0		
(CHINA DONGGUAN) TEL: (86)769-7730-785 FAX: (86)769-7312-387	DATE	2002/8/15		
(CHINA SUZHOU) TEL: (86)512-6621-0580 FAX: (86)512-6621-0685	SCALE	1/1	UNIT	MM

-D1-E35-P16 -



REVISIONS				
ISSUE	SYM	DATE	DRAFTER	CHECKER

NOTE:

 **樹林企業股份有限公司**  
TAIWAN SHULIN ENTERPRISE CO., LTD

MODEL

TF-3529

MATERIAL

PHENOLIC

WEB: [www.bobbin.com.tw](http://www.bobbin.com.tw)

UL RATING

UL 94V-0

TOLERANCE

e-mail: [shulin@bobbin.com.tw](mailto:shulin@bobbin.com.tw)

PIN MATERIAL

CP WIRE

.X  $\pm 0.2$

(TAIWAN TAIPEI) TEL: (886)(02)2225-1278 FAX: (886)(02)2222-4646

EDITION

1.0

.XX  $\pm 0.15$

(CHINA DONGGUAN) TEL: (86)769-7730-785 FAX: (86)769-7312-387

DATE

2002/11/07

PIN PITCH  $\pm 0.1$

(CHINA SUZHOU) TEL: (86)512-6621-0580 FAX: (86)512-6621-0685

SCALE

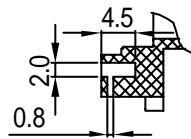
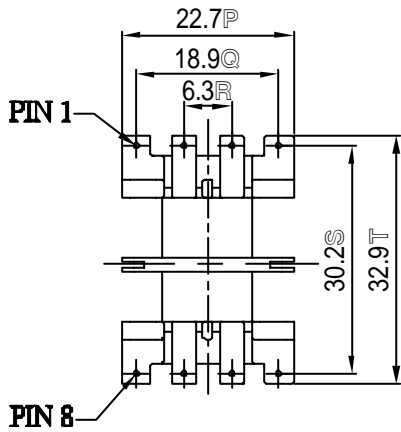
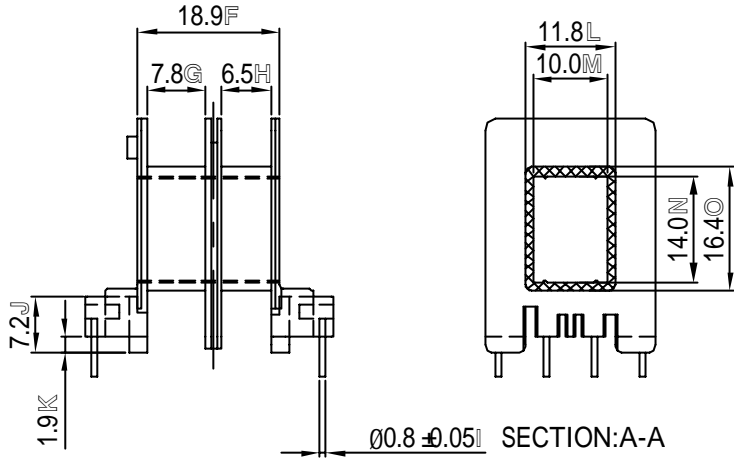
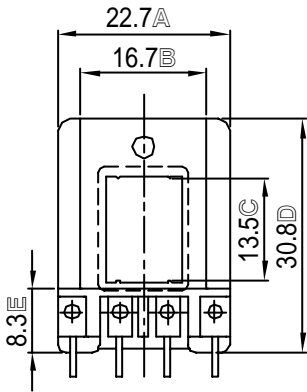
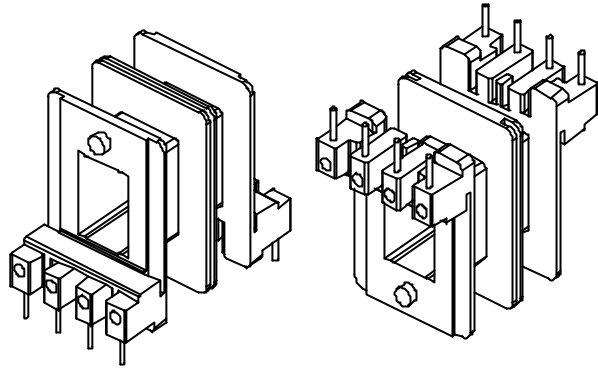
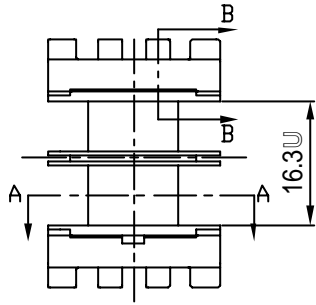
1/1

UNIT

MM

-D1-E35-P17 -





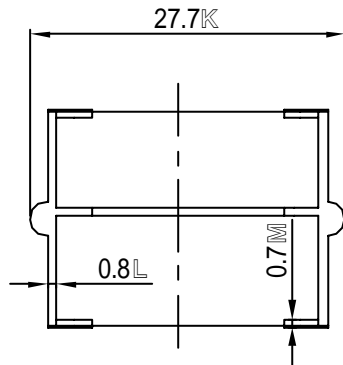
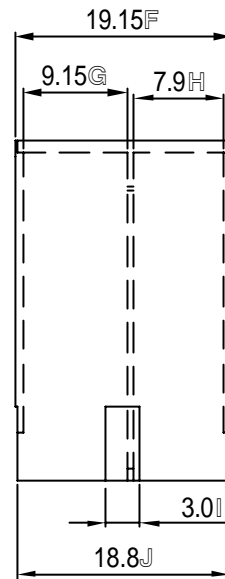
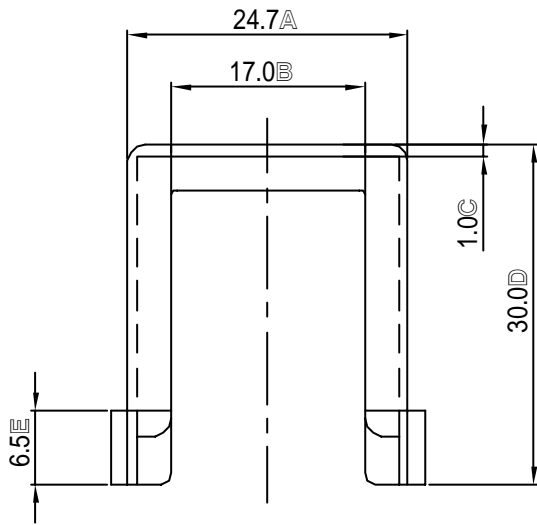
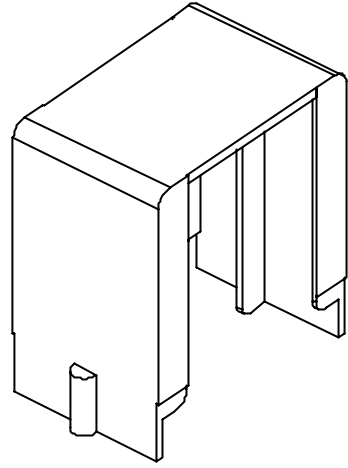
SECTION:B-B

REVISIONS				
ISSUE	SYM	DATE	DRAFTER	CHECKER

NOTE:

 <b>樹林企業股份有限公司</b> TAIWAN SHULIN ENTERPRISE CO., LTD	MODEL	TF-3530 BOBBIN		
	MATERIAL	FR530		
WEB:www.bobbin.com.tw	UL RATING	UL94V-0	TOLERANCE .X ±0.2 .XX ±0.15 PIN PITCH ±0.1	
e-mail:shulin@bobbin.com.tw	PIN MATERIAL	CP WIRE		
(TAIWAN TAIPEI) TEL:(886)2-2223-1500 FAX:(886)2-2222-4646	EDITION	1.0		
(CHINA DONGGUAN) TEL:(86)769-7730-785 FAX:(86)769-7312-387	DATE	2003/1/17		
(CHINA SUZHOU) TEL:(86)512-6621-0580 FAX:(86)512-6621-0685	SCALE	1/1	UNIT	MM

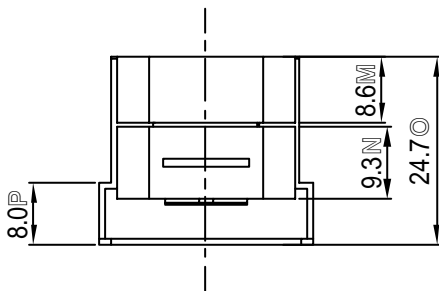
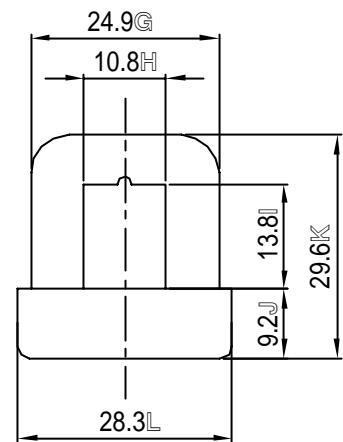
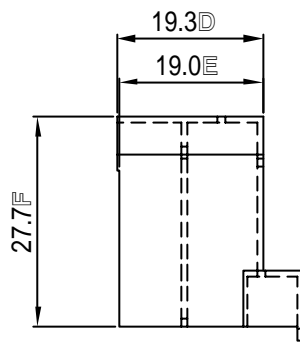
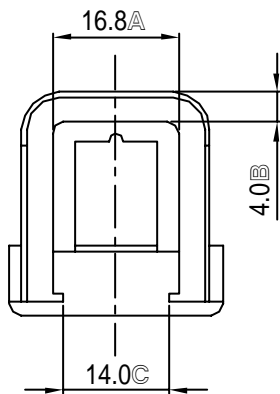
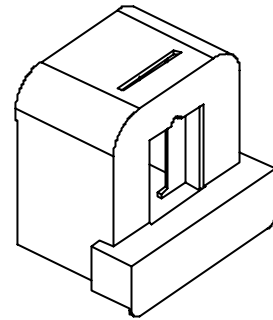
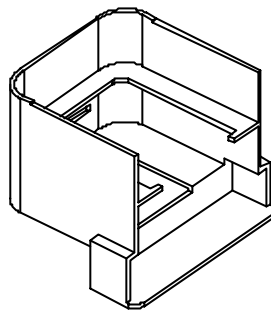
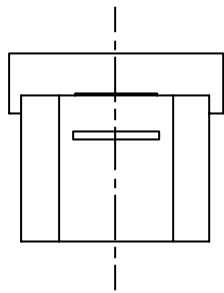
-D1-E35-P17 -



REVISIONS				
ISSUE	SYM	DATE	DRAFTER	CHECKER
NOTE:				

 <b>樹林企業股份有限公司</b> TAIWAN SHULIN ENTERPRISE CO., LTD	MODEL		TF-3530 CASE	
	MATERIAL		FR530	
WEB:www.bobbin.com.tw	UL RATING	UL94V-0	TOLERANCE  .X ±0.2 .XX ±0.15 PIN PITCH ±0.1	
e-mail:shulin@bobbin.com.tw	PIN MATERIAL	****		
(TAIWAN TAIPEI) TEL:(886)2-2223-1500 FAX:(886)2-2222-4646	EDITION	1.0		
(CHINA DONGGUAN) TEL:(86)769-7730-785 FAX:(86)769-7312-387	DATE	2003/1/17		
(CHINA SUZHOU) TEL:(86)512-6621-0580 FAX:(86)512-6621-0685	SCALE	1.5/1	UNIT	MM

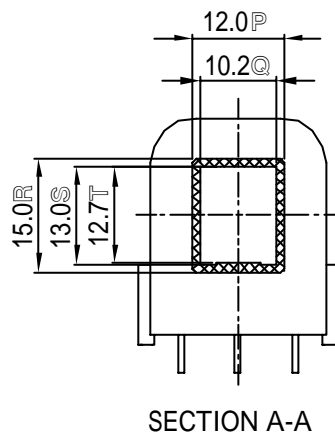
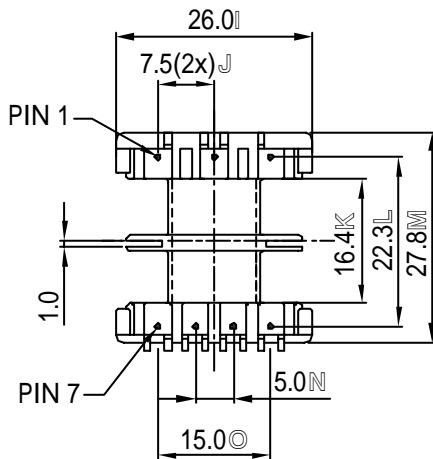
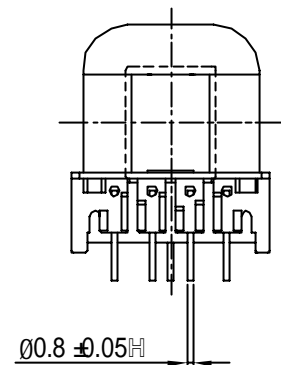
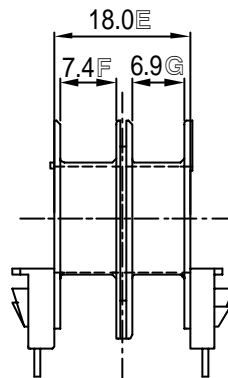
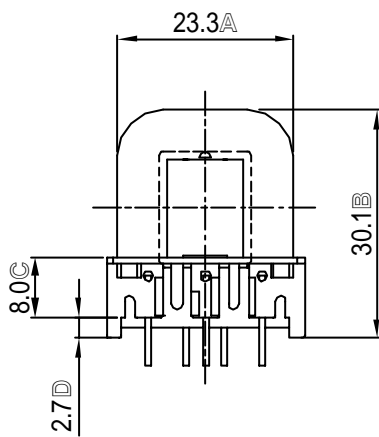
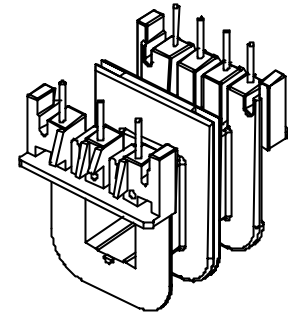
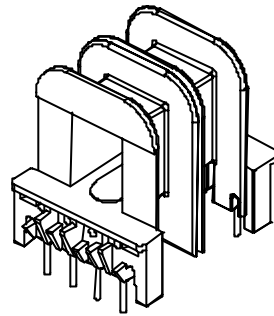
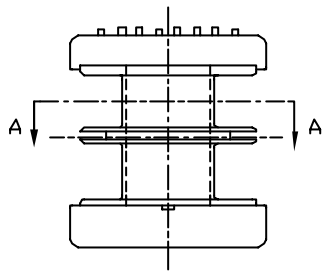
-D1-E35-P18 -



REVISIONS				
ISSUE	SYM	DATE	DRAFTER	CHECKER
NOTE:				

 <b>樹林企業股份有限公司</b> TAIWAN SHULIN ENTERPRISE CO., LTD	MODEL		TF-3531 CASE	
	MATERIAL		NYLON66	
WEB:www.bobbin.com.tw	UL RATING	UL94V-0	TOLERANCE  .X ±0.2 .XX ±0.15 PIN PITCH ±0.1	
e-mail:shulin@bobbin.com.tw	PIN MATERIAL	****		
(TAIWAN TAIPEI) TEL:(886)2-2223-1500 FAX:(886)2-2222-4646	EDITION	1.0		
(CHINA DONGGUAN) TEL:(86)769-7730-785 FAX:(86)769-7312-387	DATE	2003/1/17		
(CHINA SUZHOU) TEL:(86)512-6621-0580 FAX:(86)512-6621-0685	SCALE	1/1	UNIT	MM

-D1-E35-P20 -



REVISIONS				
ISSUE	SYM	DATE	DRAFTER	CHECKER

NOTE:



樹林企業股份有限公司

TAIWAN SHULIN ENTERPRISE CO., LTD

WEB:www.bobbin.com.tw

e-mail:shulin@bobbin.com.tw

(TAIWAN TAIPEI) TEL:(886)2-2223-1500 FAX:(886)2-2222-4646

(CHINA DONGGUAN) TEL:(86)769-7730-785 FAX:(86)769-7312-387

(CHINA SUZHOU) TEL:(86)512-6621-0580 FAX:(86)512-6621-0685

MODEL

TF-3531 BOBBIN

MATERIAL

FR530

UL RATING

UL94V-0

PIN MATERIAL

CP WIRE

EDITION

1.0

DATE

2003/1/17

SCALE

1/1

TOLERANCE

.X ±0.2

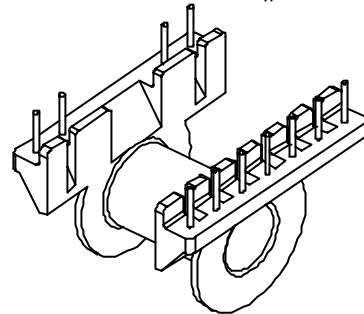
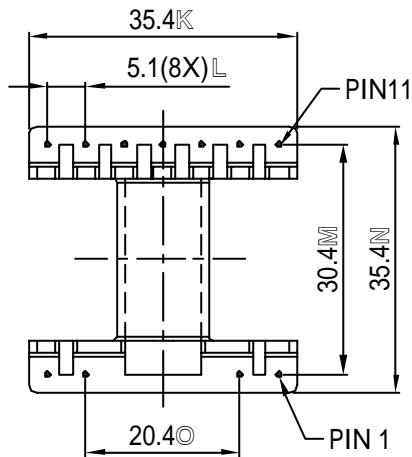
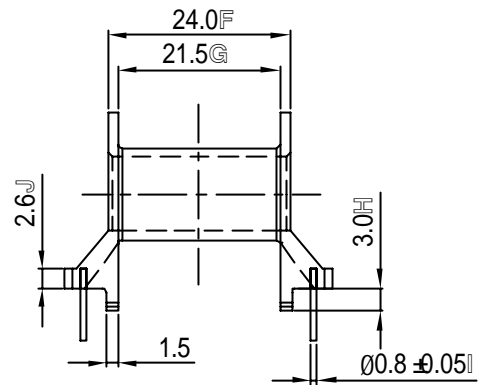
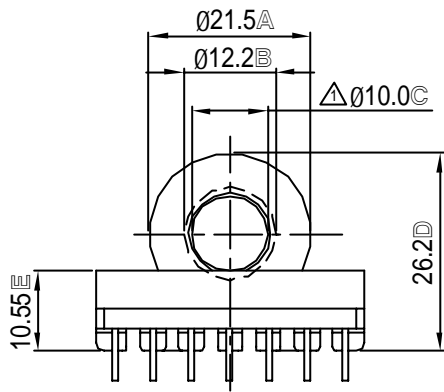
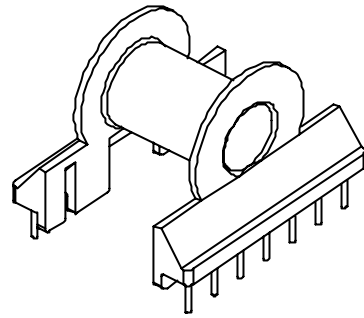
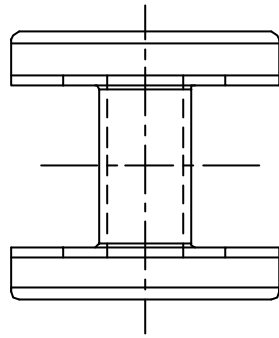
.XX ±0.15

PIN PITCH ±0.1

UNIT

MM

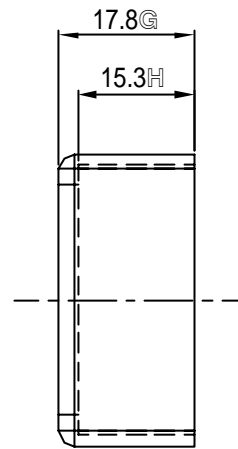
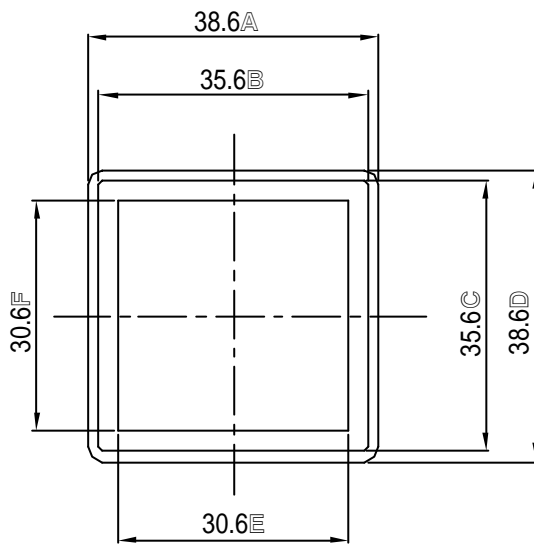
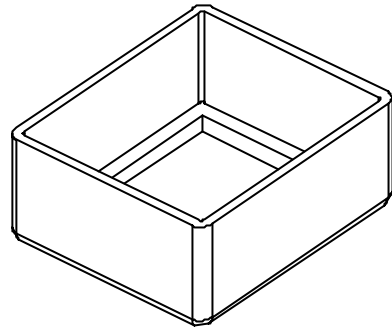
-D1-E35-P19 -



REVISIONS				
ISSUE	SYM	DATE	DRAFTER	CHECKER
1.	△	2003/11/12	Li Huahong	C.H.WANG
NOTE:				

 <b>樹林企業股份有限公司</b> TAIWAN SHULIN ENTERPRISE CO., LTD	MODEL	TF-3532 BOBBIN		
	MATERIAL	PHENOLIC		
WEB:www.bobbin.com.tw	UL RATING	UL94V-0	TOLERANCE .X ±0.2 .XX ±0.15 PIN PITCH ±0.1	
e-mail:shulin@bobbin.com.tw	PIN MATERIAL	CP WIRE		
(TAIWAN TAIPEI) TEL:(886)2-2223-1500 FAX:(886)2-2222-4646	EDITION	1.0A		
(CHINA DONGGUAN) TEL:(86)769-7730-785 FAX:(86)769-7312-387	DATE	2003/11/12		
(CHINA SUZHOU) TEL:(86)512-6621-0580 FAX:(86)512-6621-0685	SCALE	1/1	UNIT	MM

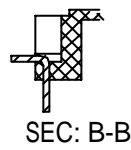
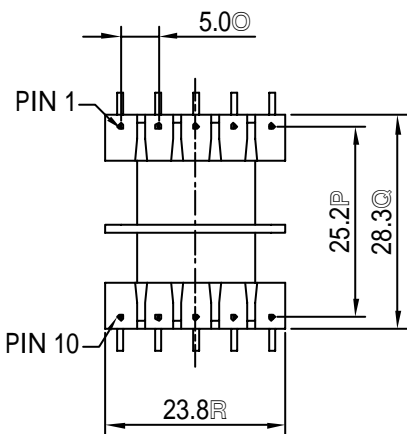
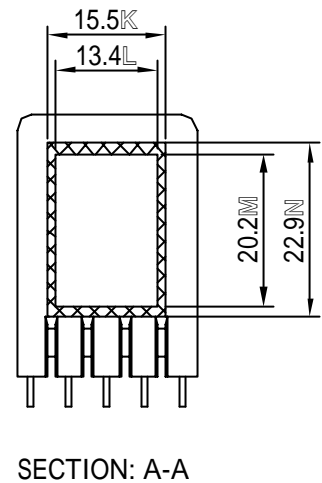
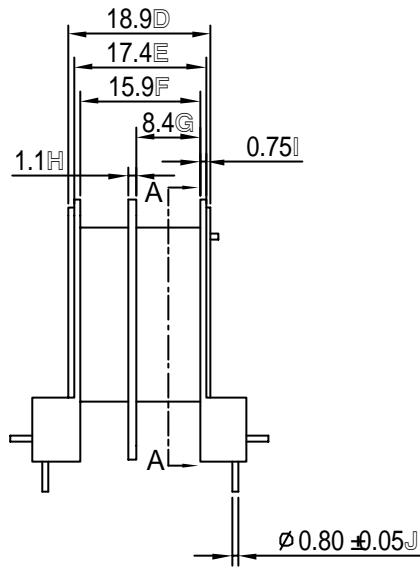
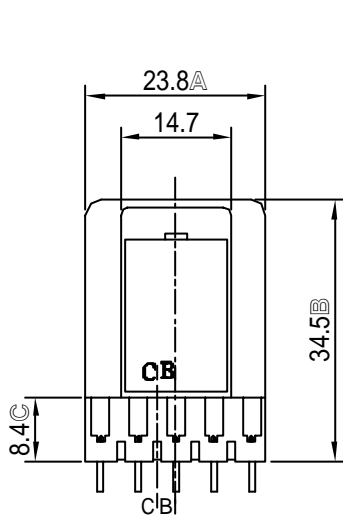
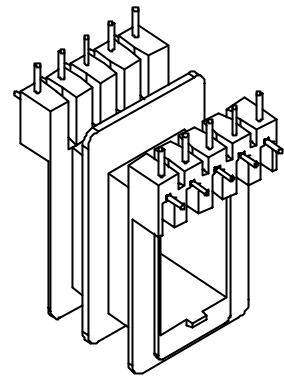
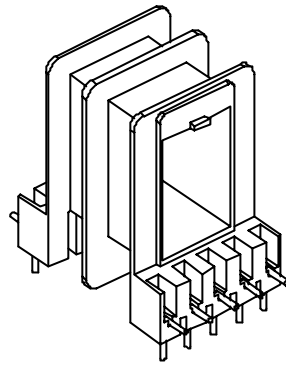
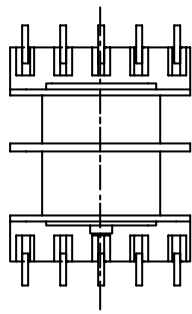
-D2-ER35-P20-



REVISIONS				
ISSUE	SYM	DATE	DRAFTER	CHECKER
NOTE:				

 <b>樹林企業股份有限公司</b> TAIWAN SHULIN ENTERPRISE CO., LTD	MODEL		TF-3532 CASE	
	MATERIAL		PHENOLIC	
WEB:www.bobbin.com.tw	UL RATING	UL94V-0	TOLERANCE  .X ±0.2 .XX ±0.15 PIN PITCH ±0.1	
e-mail:shulin@bobbin.com.tw	PIN MATERIAL	*****		
(TAIWAN TAIPEI) TEL:(886)2-2223-1500 FAX:(886)2-2222-4646	EDITION	1.0		
(CHINA DONGGUAN) TEL:(86)769-7730-785 FAX:(86)769-7312-387	DATE	2003/9/1		
(CHINA SUZHOU) TEL:(86)512-6621-0580 FAX:(86)512-6621-0685	SCALE	1/1	UNIT	MM

-D2-ER35-P21-



REVISIONS				
ISSUE	SYM	DATE	DRAFTER	CHECKER

NOTE:



樹林企業股份有限公司

TAIWAN SHULIN ENTERPRISE CO., LTD

WEB: www.bobbin.com.tw

e-mail: shulin@bobbin.com.tw

(TAIWAN TAIPEI) TEL: (886)2-2223-1500 FAX: (886)2-2222-4646

(CHINA DONGGUAN) TEL: (86)769-7730-785 FAX: (86)769-7312-387

(CHINA SUZHOU) TEL: (86)512-6621-0580 FAX: (86)512-6621-0685

MODEL

TF-3801

MATERIAL

PBT

UL RATING

UL94V-0

TOLERANCE

PIN MATERIAL

CP WIRE

.X  $\pm 0.2$

EDITION

2.0

.XX  $\pm 0.15$

DATE

2002/8/15

PIN PITCH  $\pm 0.1$

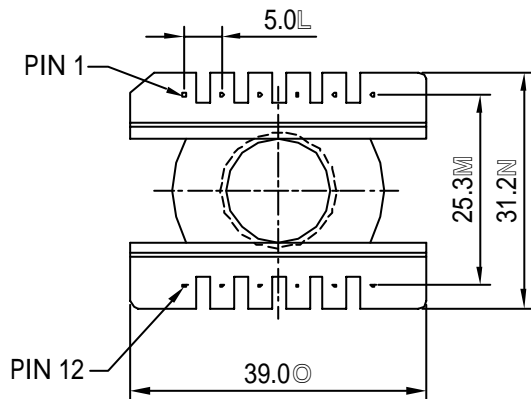
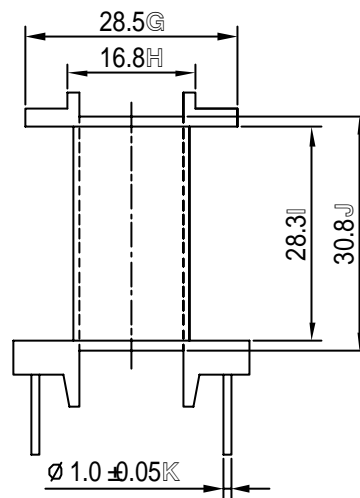
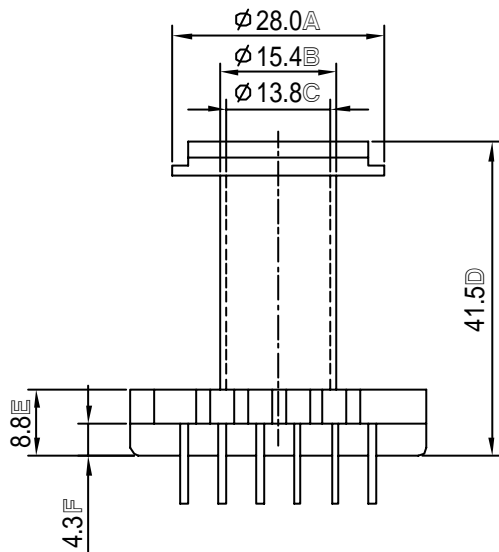
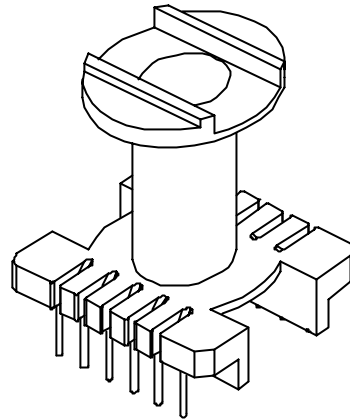
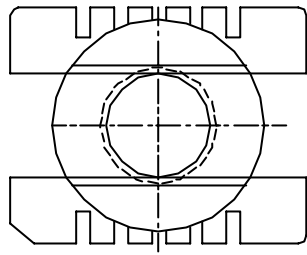
SCALE

1/1

UNIT

MM

-D1-E38-P01 -

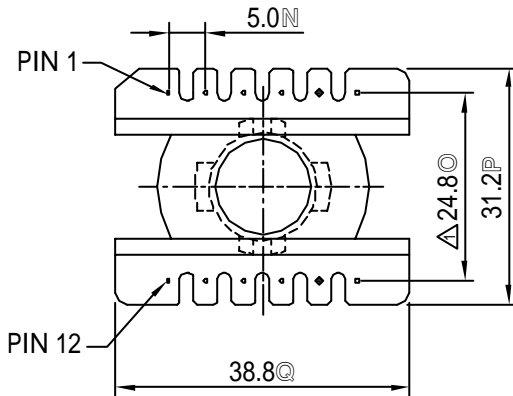
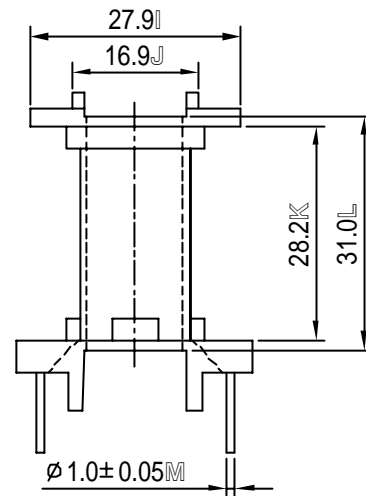
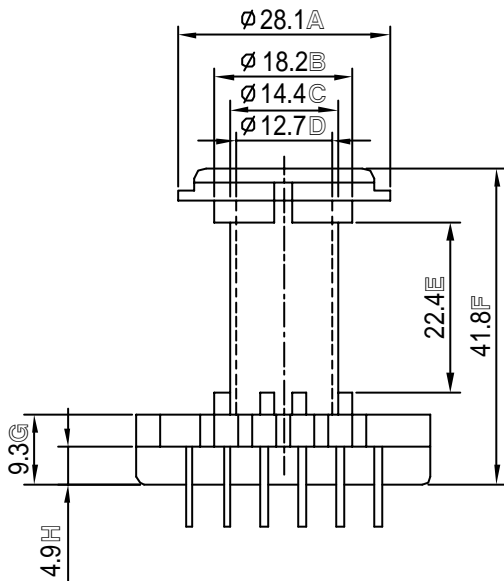
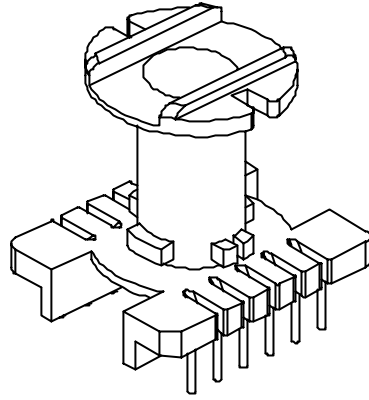
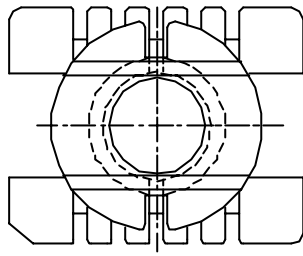


REVISIONS				
ISSUE	SYM	DATE	DRAFTER	CHECKER
NOTE:				

 <b>樹林企業股份有限公司</b> TAIWAN SHULIN ENTERPRISE CO., LTD	MODEL	TF-3901		
	MATERIAL	PHENOLIC		
WEB: www.bobbin.com.tw	UL RATING	UL94V-0	TOLERANCE .X $\pm 0.2$ .XX $\pm 0.15$ PIN PITCH $\pm 0.1$	
e-mail: shulin@bobbin.com.tw	PIN MATERIAL	CP WIRE		
(TAIWAN TAIPEI) TEL: (886)2-2223-1500 FAX: (886)2-2222-4646	EDITION	2.0		
(CHINA DONGGUAN) TEL: (86)769-7730-785 FAX: (86)769-7312-387	DATE	2002/8/15	UNIT	MM
(CHINA SUZHOU) TEL: (86)512-6621-0580 FAX: (86)512-6621-0685	SCALE	1/1		

-D2-ER39-P01 -





REVISIONS				
ISSUE	SYM	DATE	DRAFTER	CHECKER
1.	△	2003/7/12	LI HUA HONG	C.H.WANG

NOTE:



**樹林企業股份有限公司**  
TAIWAN SHULIN ENTERPRISE CO., LTD

WEB: www.bobbin.com.tw

e-mail: shulin@bobbin.com.tw

(TAIWAN TAIPEI) TEL: (886)2-2223-1500 FAX: (886)2-2222-4646

(CHINA DONGGUAN) TEL: (86)769-7730-785 FAX: (86)769-7312-387

(CHINA SUZHOU) TEL: (86)512-6621-0580 FAX: (86)512-6621-0685

MODEL

TF-3901-1

MATERIAL

PHENOLIC

UL RATING

UL94V-0

PIN MATERIAL

CP WIRE

EDITION

2.0A

DATE

2003/7/12

SCALE

1/1

TOLERANCE

.X  $\pm 0.2$

.XX  $\pm 0.15$

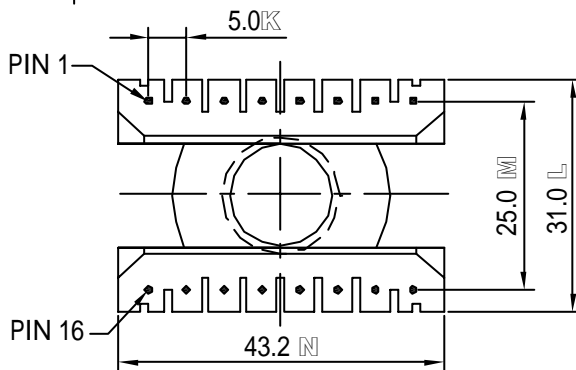
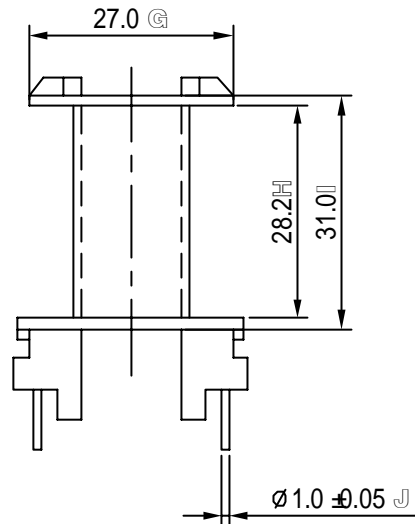
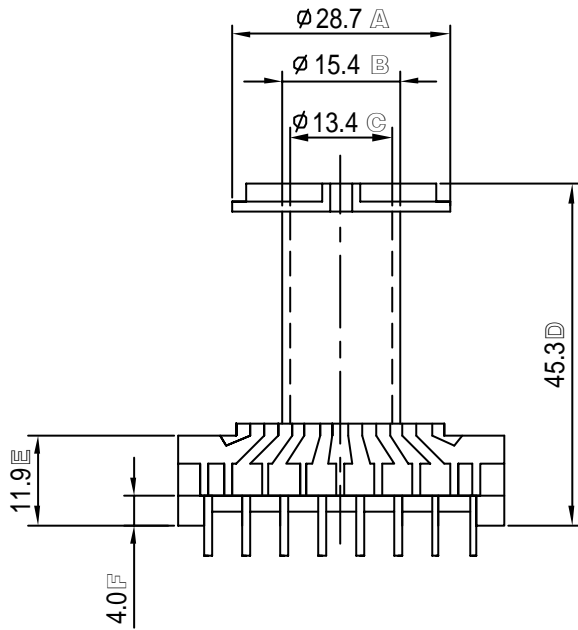
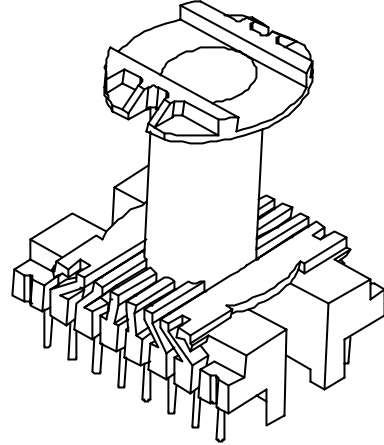
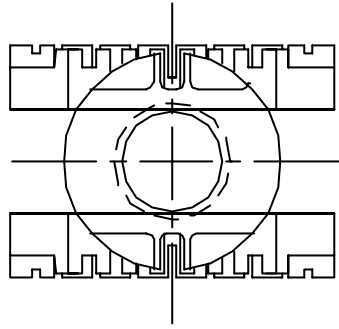
PIN PITCH  $\pm 0.1$

UNIT

MM

-D2-ER39-P02 -

本图面版权属台湾树林，本人仅将其汇总。不承担任何法律责任！！QQ: 195502110



REVISIONS				
ISSUE	SYM	DATE	DRAFTER	CHECKER

NOTE:



樹林企業股份有限公司

TAIWAN SHULIN ENTERPRISE CO., LTD

WEB: www.bobbin.com.tw

e-mail: shulin@bobbin.com.tw

(TAIWAN TAIPEI) TEL: (886)2-2223-1500 FAX: (886)2-2222-4646

(CHINA DONGGUAN) TEL: (86)769-7730-785 FAX: (86)769-7312-387

(CHINA SUZHOU) TEL: (86)512-6621-0580 FAX: (86)512-6621-0685

MODEL

TF-3903

MATERIAL

PHENOLIC

UL RATING

UL94V-0

TOLERANCE

PIN MATERIAL

CP WIRE

.X  $\pm 0.2$

EDITION

2.0

.XX  $\pm 0.15$

DATE

2002/8/15

PIN PITCH  $\pm 0.1$

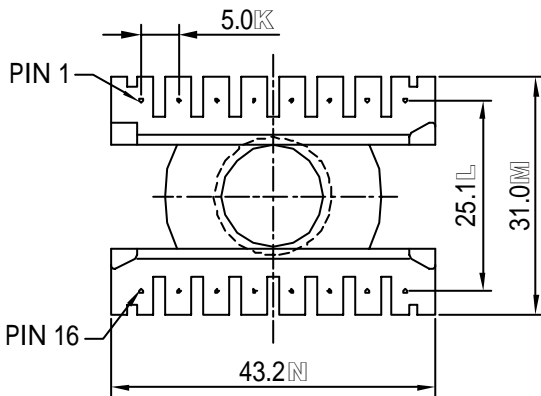
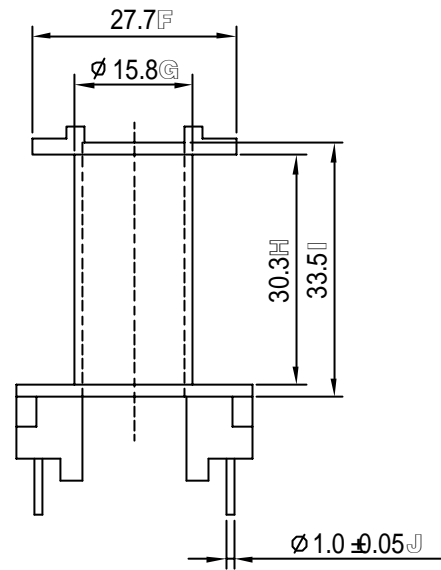
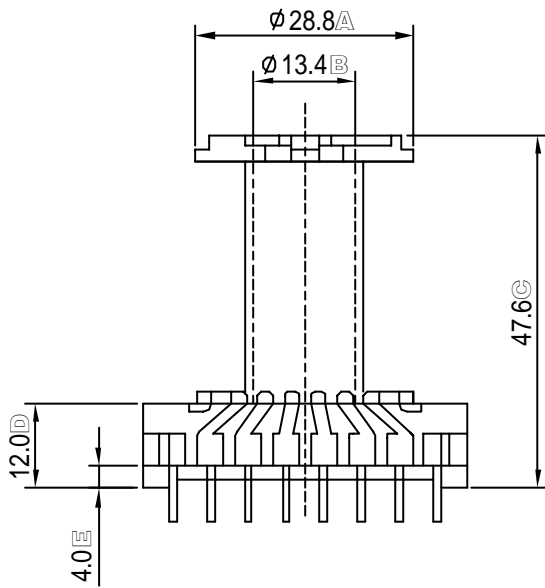
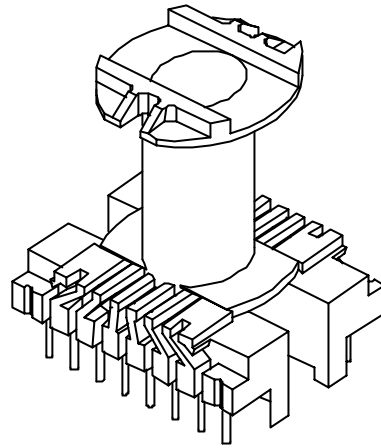
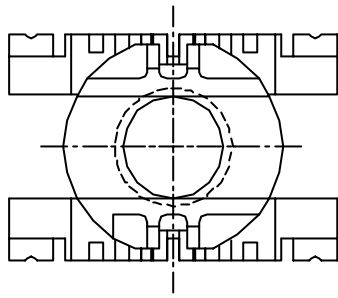
SCALE

2/1

UNIT

MM

-D2-ER39-P03-

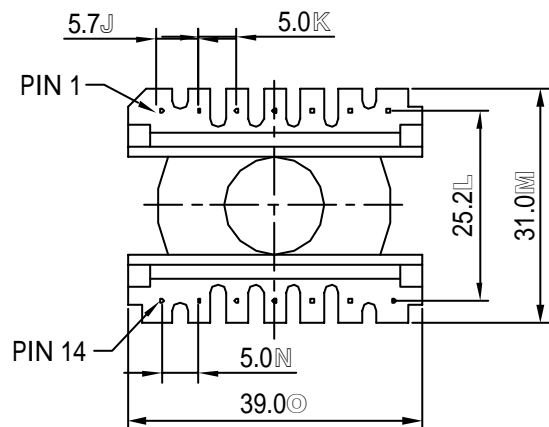
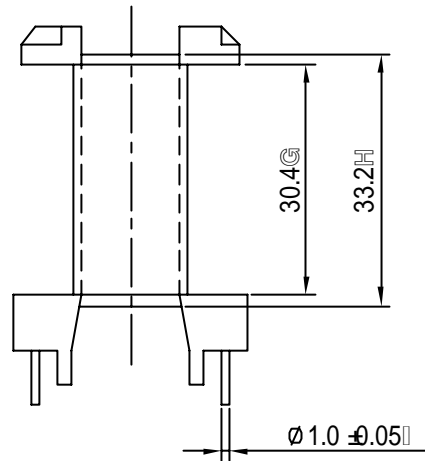
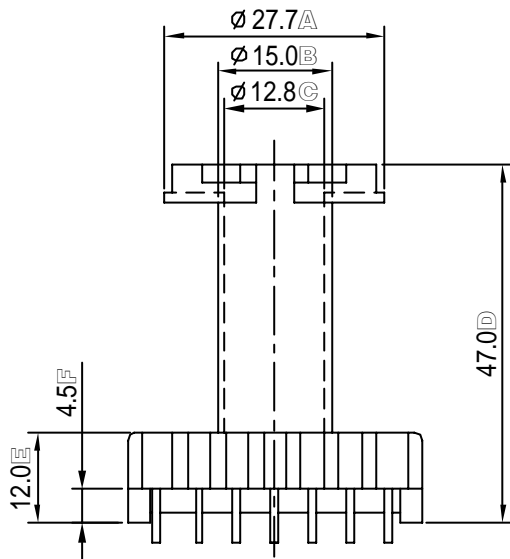
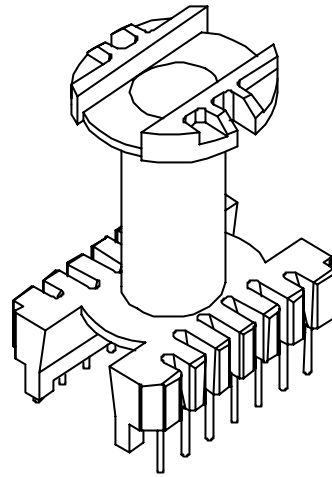
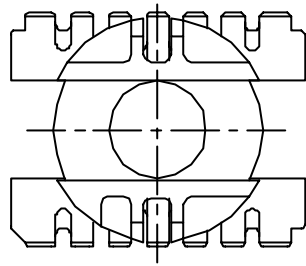


REVISIONS				
ISSUE	SYM	DATE	DRAFTER	CHECKER

NOTE:

 <b>樹林企業股份有限公司</b> TAIWAN SHULIN ENTERPRISE CO., LTD	MODEL	TF-3904		
	MATERIAL	PHENOLIC		
WEB: www.bobbin.com.tw	UL RATING	UL94V-0	<b>TOLERANCE</b> .X $\pm 0.2$ .XX $\pm 0.15$ PIN PITCH $\pm 0.1$	
e-mail: shulin@bobbin.com.tw	PIN MATERIAL	CP WIRE		
(TAIWAN TAIPEI) TEL: (886)2-2223-1500 FAX: (886)2-2222-4646	EDITION	2.0		
(CHINA DONGGUAN) TEL: (86)769-7730-785 FAX: (86)769-7312-387	DATE	2002/8/15		
(CHINA SUZHOU) TEL: (86)512-6621-0580 FAX: (86)512-6621-0685	SCALE	1/1	UNIT	MM

- D2-ER39-P04 -



REVISIONS				
ISSUE	SYM	DATE	DRAFTER	CHECKER

NOTE:



樹林企業股份有限公司

TAIWAN SHULIN ENTERPRISE CO., LTD

MODEL

TF-3905

MATERIAL

PHENOLIC

WEB: www.bobbin.com.tw

UL RATING

UL94V-0

TOLERANCE

e-mail: shulin@bobbin.com.tw

PIN MATERIAL

CP WIRE

.X  $\pm 0.2$

(TAIWAN TAIPEI) TEL: (886)2-2223-1500 FAX: (886)2-2222-4646

EDITION

2.0

.XX  $\pm 0.15$

(CHINA DONGGUAN) TEL: (86)769-7730-785 FAX: (86)769-7312-387

DATE

2002/8/15

PIN PITCH  $\pm 0.1$

(CHINA SUZHOU) TEL: (86)512-6621-0580 FAX: (86)512-6621-0685

SCALE

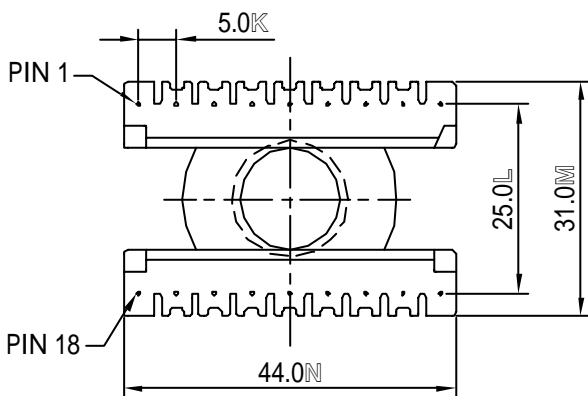
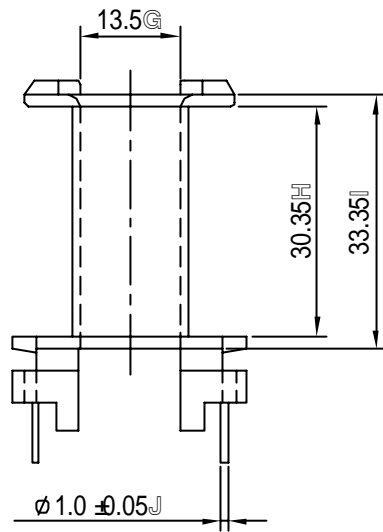
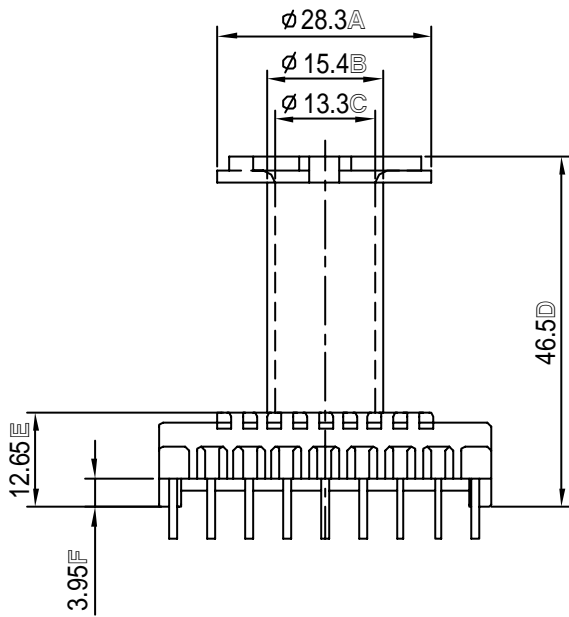
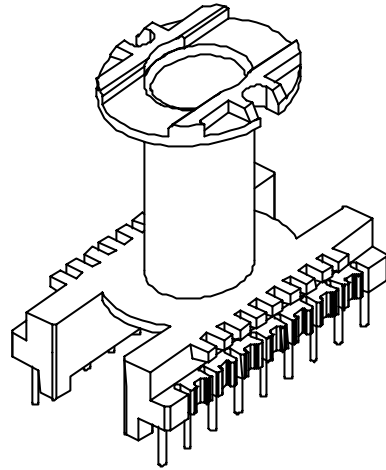
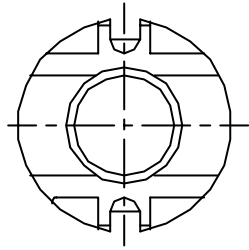
1/1

UNIT

MM

- D2-ER39-P05 -

本图面版权属台湾树林，本人仅将其汇总。不承担任何法律责任！！QQ: 195502110



REVISIONS				
ISSUE	SYM	DATE	DRAFTER	CHECKER

NOTE:



樹林企業股份有限公司

TAIWAN SHULIN ENTERPRISE CO., LTD

WEB: www.bobbin.com.tw

e-mail: shulin@bobbin.com.tw

(TAIWAN TAIPEI) TEL: (886)2-2223-1500 FAX: (886)2-2222-4646

(CHINA DONGGUAN) TEL: (86)769-7730-785 FAX: (86)769-7312-387

(CHINA SUZHOU) TEL: (86)512-6621-0580 FAX: (86)512-6621-0685

MODEL

TF-3906

MATERIAL

PHENOLIC

UL RATING

UL94V-0

TOLERANCE

PIN MATERIAL

CP WIRE

.X  $\pm 0.2$

.XX  $\pm 0.15$

PIN PITCH  $\pm 0.1$

EDITION

2.0

DATE

2002/8/15

SCALE

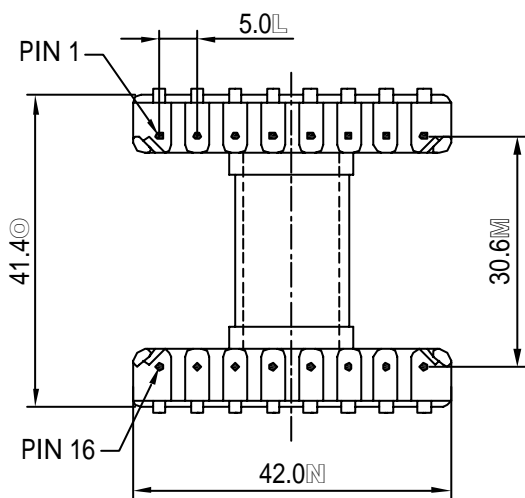
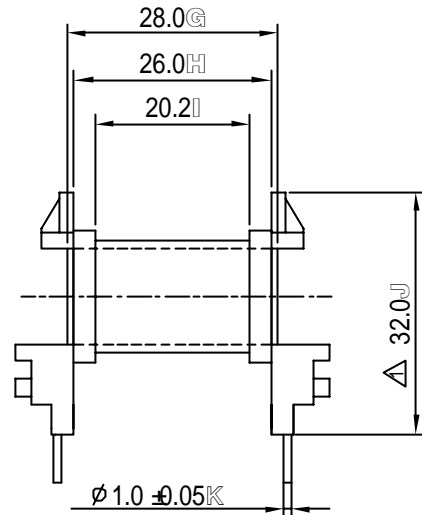
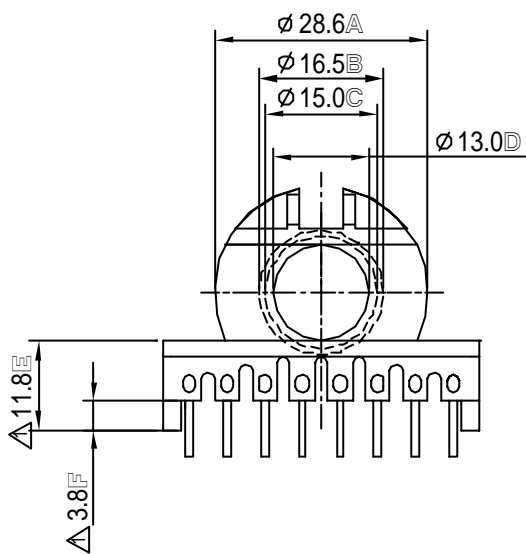
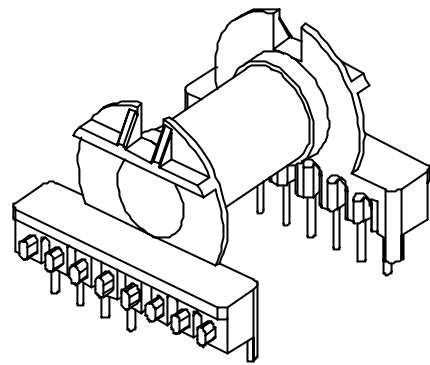
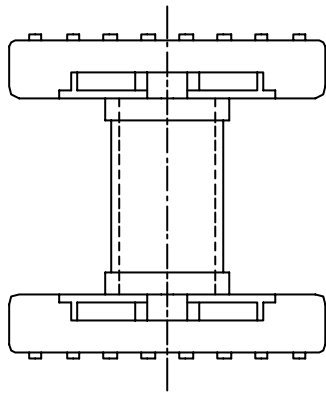
1/1

UNIT

MM

-D2-ER39-P06 -

本图面版权属台湾树林，本人仅将其汇总。不承担任何法律责任！！QQ: 195502110



REVISIONS				
ISSUE	SYM	DATE	DRAFTER	CHECKER
1.	$\Delta$	2003/2/17	LI HUA HONG	C.H.WANG
NOTE:				



樹林企業股份有限公司

TAIWAN SHULIN ENTERPRISE CO., LTD

MODEL

TF-3907

MATERIAL

PHENOLIC

WEB: www.bobbin.com.tw

UL RATING

UL94V-0

TOLERANCE

e-mail: shulin@bobbin.com.tw

PIN MATERIAL

CP WIRE

.X  $\pm 0.2$

(TAIWAN TAIPEI) TEL: (886)2-2223-1500 FAX: (886)2-2222-4646

EDITION

2.0A

.XX  $\pm 0.15$

(CHINA DONGGUAN) TEL: (86)769-7730-785 FAX: (86)769-7312-387

DATE

2003/2/17

PIN PITCH  $\pm 0.1$

(CHINA SUZHOU) TEL: (86)512-6621-0580 FAX: (86)512-6621-0685

SCALE

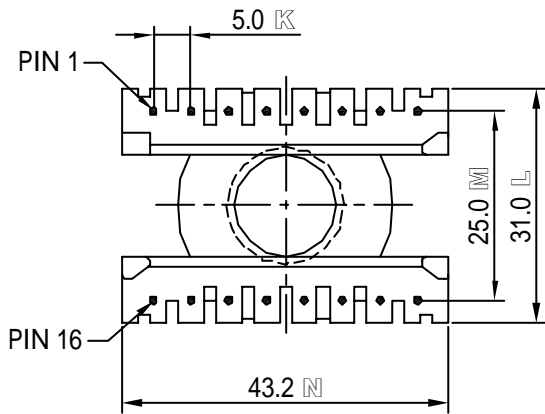
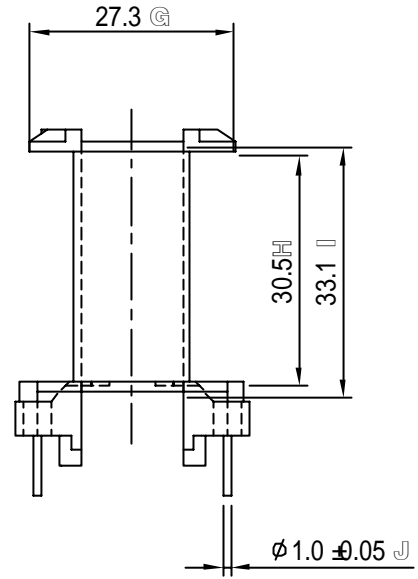
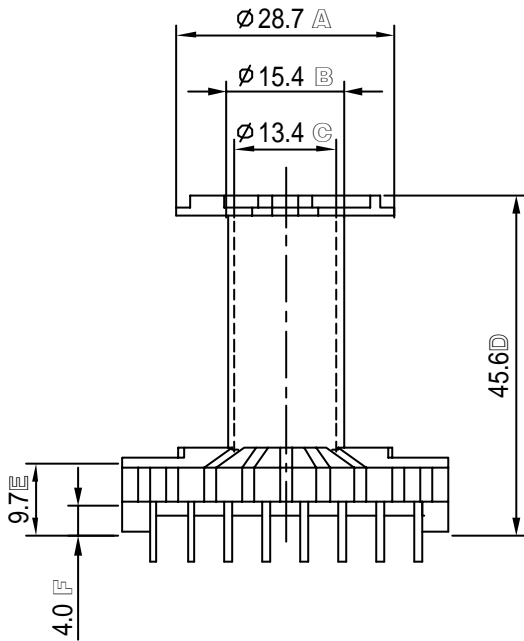
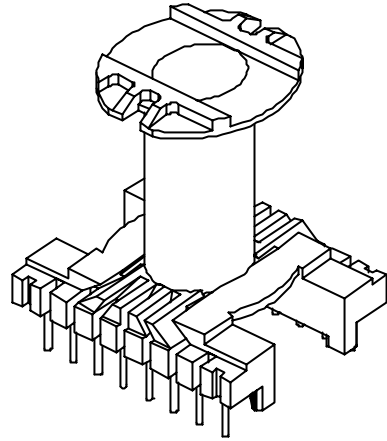
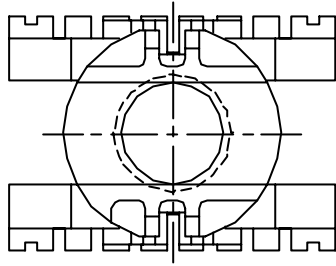
1/1

UNIT

MM

-D2-ER39-P07-

本图面版权属台湾树林，本人仅将其汇总。不承担任何法律责任！！QQ: 195502110

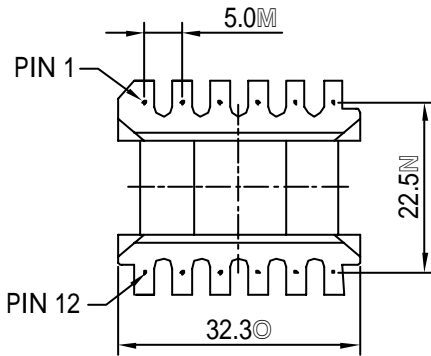
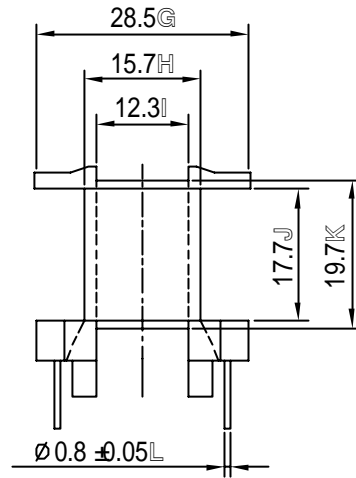
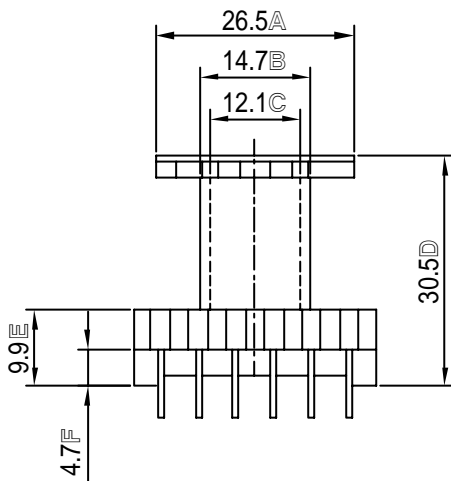
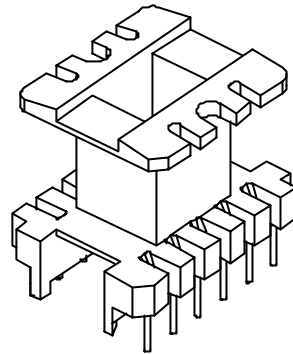
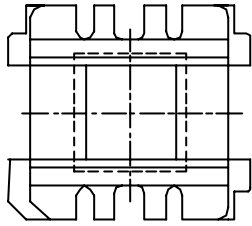


REVISIONS				
ISSUE	SYM	DATE	DRAFTER	CHECKER

NOTE:

 <b>樹林企業股份有限公司</b> TAIWAN SHULIN ENTERPRISE CO., LTD	MODEL	TF-3908		
	MATERIAL	PHENOLIC		
WEB: www.bobbin.com.tw	UL RATING	UL94V-0	TOLERANCE .X ±0.2 .XX ±0.15 PIN PITCH ±0.1	
e-mail: shulin@bobbin.com.tw	PIN MATERIAL	CP WIRE		
(TAIWAN TAIPEI) TEL: (886)2-2223-1500 FAX: (886)2-2222-4646	EDITION	2.0		
(CHINA DONGGUAN) TEL: (86)769-7730-785 FAX: (86)769-7312-387	DATE	2002/8/15		
(CHINA SUZHOU) TEL: (86)512-6621-0580 FAX: (86)512-6621-0685	SCALE	2/1	UNIT	MM

-D2-ER39-P08 -



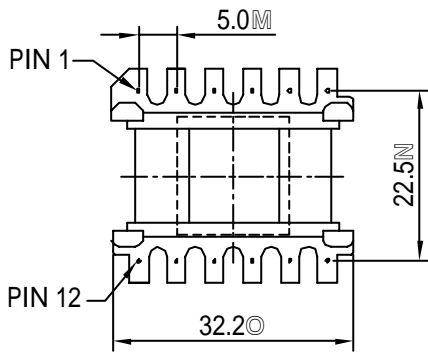
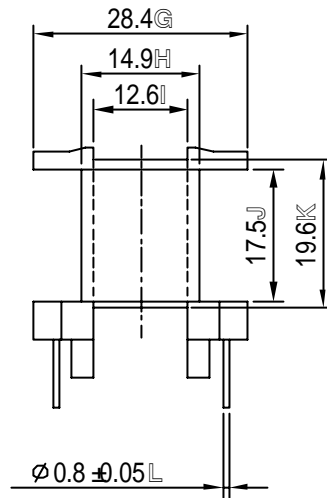
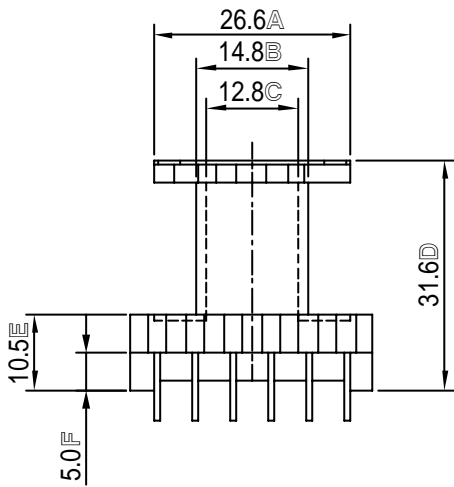
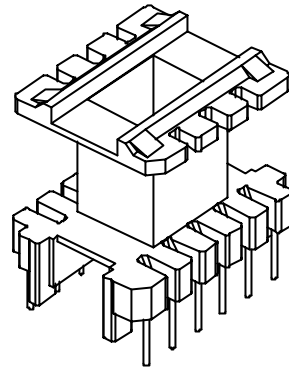
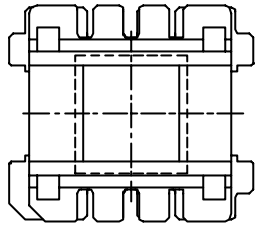
REVISIONS				
ISSUE	SYM	DATE	DRAFTER	CHECKER

NOTE:

 <b>樹林企業股份有限公司</b> TAIWAN SHULIN ENTERPRISE CO., LTD	MODEL		TF-4001	
	MATERIAL		PHENOLIC	
WEB:www.bobbin.com.tw	UL RATING	UL94V-0	TOLERANCE .X $\pm 0.2$ .XX $\pm 0.15$ PIN PITCH $\pm 0.1$	
e-mail:shulin@bobbin.com.tw	PIN MATERIAL	CP WIRE		
(TAIWAN TAIPEI) TEL:(886)2-2223-1500 FAX:(886)2-2222-4646	EDITION	2.0		
(CHINA DONGGUAN) TEL:(86)769-7730-785 FAX:(86)769-7312-387	DATE	2002/8/15	UNIT	MM
(CHINA SUZHOU) TEL:(86)512-6621-0580 FAX:(86)512-6621-0685	SCALE	1/1		


-D1-E40-P01 -



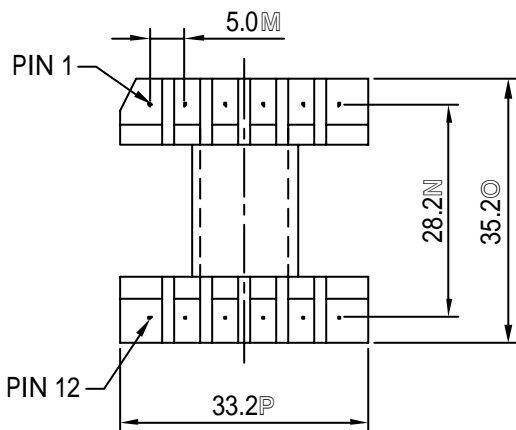
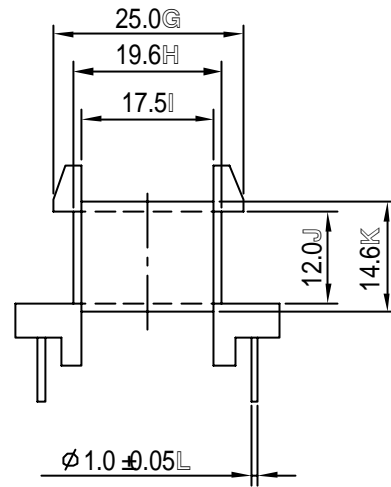
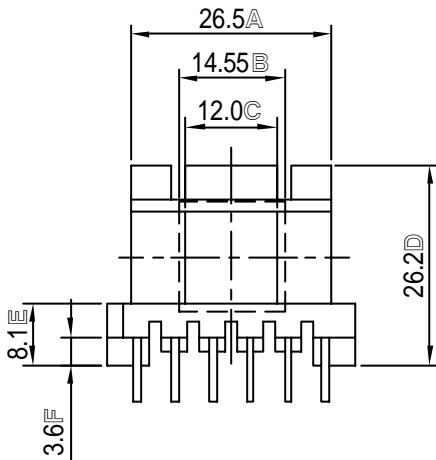
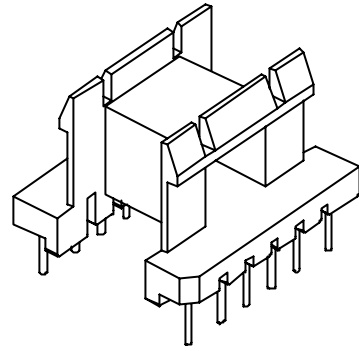
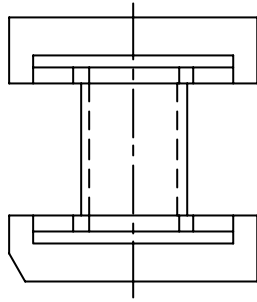


REVISIONS				
ISSUE	SYM	DATE	DRAFTER	CHECKER

NOTE:

 <b>樹林企業股份有限公司</b> TAIWAN SHULIN ENTERPRISE CO., LTD	MODEL		TF-4001-1	
	MATERIAL		PHENOLIC	
WEB:www.bobbin.com.tw	UL RATING	UL94V-0	TOLERANCE .X $\pm 0.2$ .XX $\pm 0.15$ PIN PITCH $\pm 0.1$	
e-mail:shulin@bobbin.com.tw	PIN MATERIAL	CP WIRE		
(TAIWAN TAIPEI) TEL:(886)2-2223-1500 FAX:(886)2-2222-4646	EDITION	2.0		
(CHINA DONGGUAN) TEL:(86)769-7730-785 FAX:(86)769-7312-387	DATE	2002/8/15	UNIT	MM
(CHINA SUZHOU) TEL:(86)512-6621-0580 FAX:(86)512-6621-0685	SCALE	1/1		

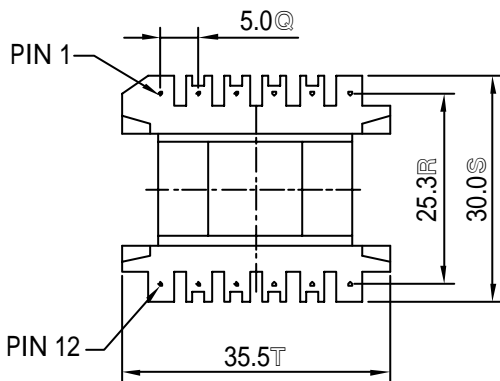
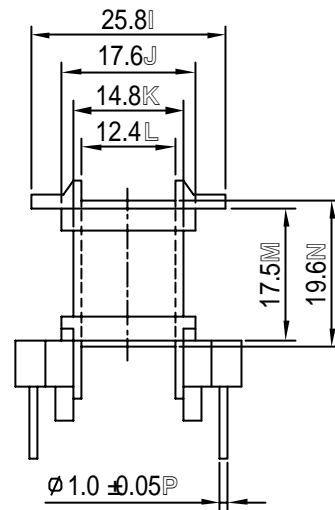
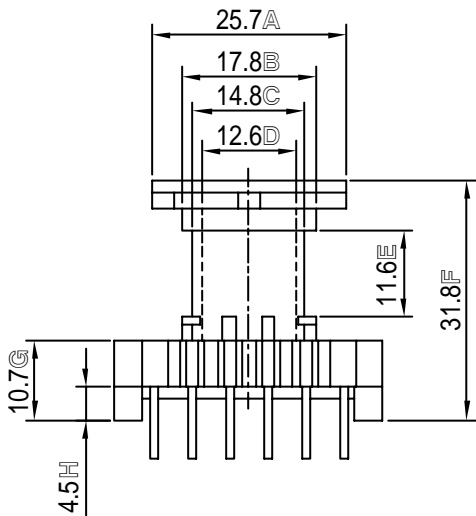
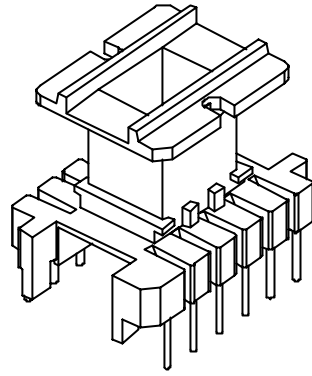
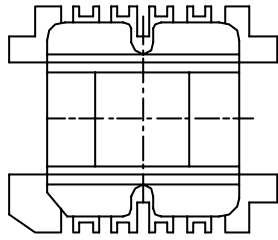
-D1-E40-P02 -



REVISIONS				
ISSUE	SYM	DATE	DRAFTER	CHECKER
NOTE:				

 <b>樹林企業股份有限公司</b> TAIWAN SHULIN ENTERPRISE CO., LTD	MODEL		TF-4002	
	MATERIAL		PHENOLIC	
WEB: www.bobbin.com.tw	UL RATING	UL94V-0	TOLERANCE .X $\pm 0.2$ .XX $\pm 0.15$ PIN PITCH $\pm 0.1$	
e-mail: shulin@bobbin.com.tw	PIN MATERIAL	CP WIRE		
(TAIWAN TAIPEI) TEL: (886)2-2223-1500 FAX: (886)2-2222-4646	EDITION	2.0		
(CHINA DONGGUAN) TEL: (86)769-7730-785 FAX: (86)769-7312-387	DATE	2002/8/15	UNIT	MM
(CHINA SUZHOU) TEL: (86)512-6621-0580 FAX: (86)512-6621-0685	SCALE	1/1		

-D1-E40-P03 -

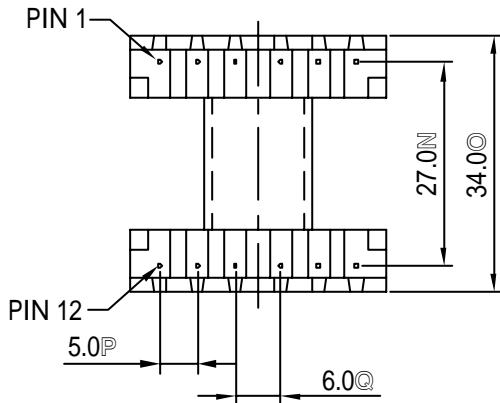
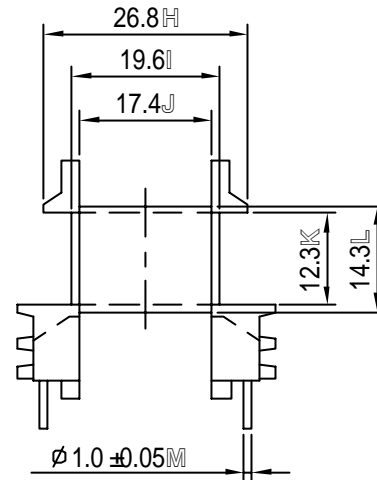
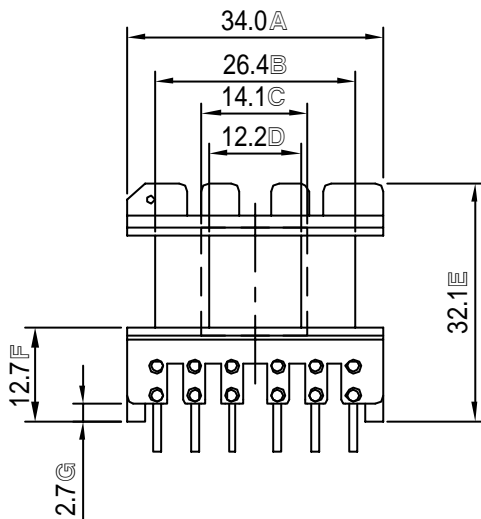
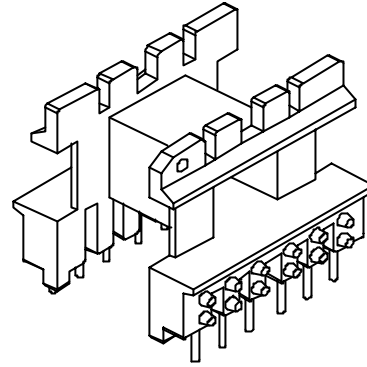
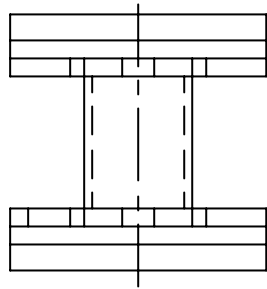


REVISIONS				
ISSUE	SYM	DATE	DRAFTER	CHECKER

NOTE:

 <b>樹林企業股份有限公司</b> TAIWAN SHULIN ENTERPRISE CO., LTD	MODEL		TF-4003	
	MATERIAL		PHENOLIC	
WEB:www.bobbin.com.tw	UL RATING	UL94V-0	TOLERANCE .X $\pm 0.2$ .XX $\pm 0.15$ PIN PITCH $\pm 0.1$	
e-mail:shulin@bobbin.com.tw	PIN MATERIAL	CP WIRE		
(TAIWAN TAIPEI) TEL: (886)2-2223-1500 FAX: (886)2-2222-4646	EDITION	2.0		
(CHINA DONGGUAN) TEL: (86)769-7730-785 FAX: (86)769-7312-387	DATE	2002/8/15	UNIT	MM
(CHINA SUZHOU) TEL: (86)512-6621-0580 FAX: (86)512-6621-0685	SCALE	1/1		

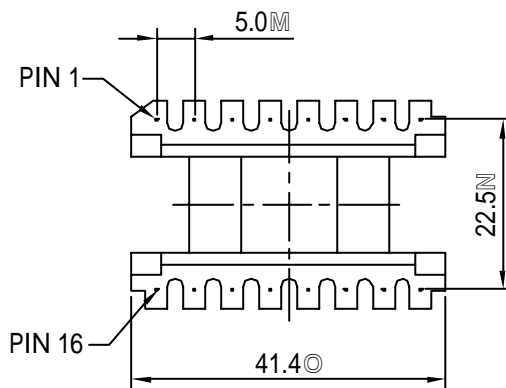
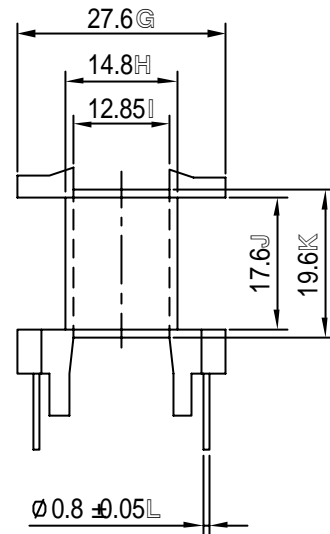
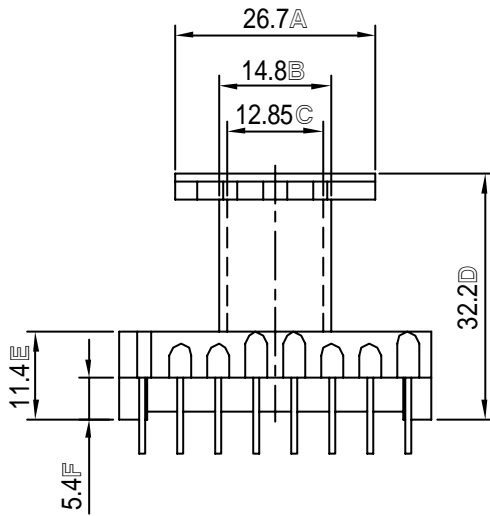
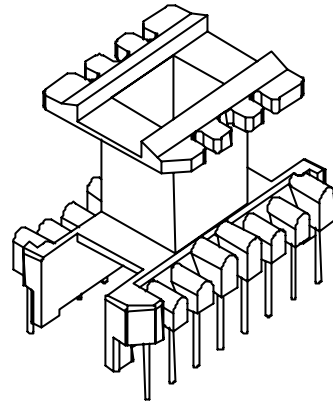
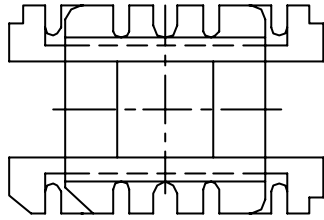
-D1-E40-P04 -



REVISIONS				
ISSUE	SYM	DATE	DRAFTER	CHECKER
NOTE:				

 <b>樹林企業股份有限公司</b> TAIWAN SHULIN ENTERPRISE CO., LTD	MODEL	TF-4005		
	MATERIAL	PHENOLIC		
WEB: www.bobbin.com.tw	UL RATING	UL94V-0	TOLERANCE .X $\pm 0.2$ .XX $\pm 0.15$ PIN PITCH $\pm 0.1$	
e-mail: shulin@bobbin.com.tw	PIN MATERIAL	CP WIRE		
(TAIWAN TAIPEI) TEL: (886)2-2223-1500 FAX: (886)2-2222-4646	EDITION	2.0		
(CHINA DONGGUAN) TEL: (86)769-7730-785 FAX: (86)769-7312-387	DATE	2002/8/15	UNIT	MM
(CHINA SUZHOU) TEL: (86)512-6621-0580 FAX: (86)512-6621-0685	SCALE	1/1		

-D1-E40-P05 -

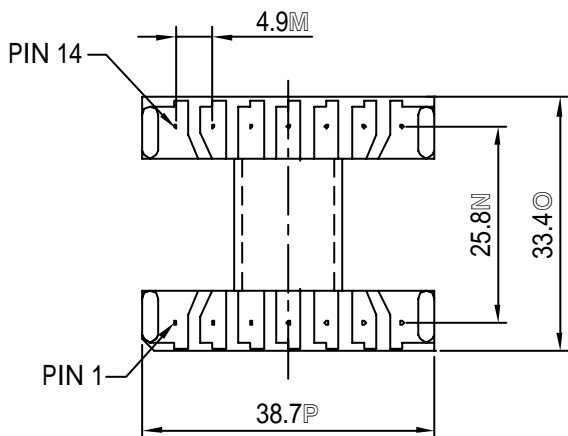
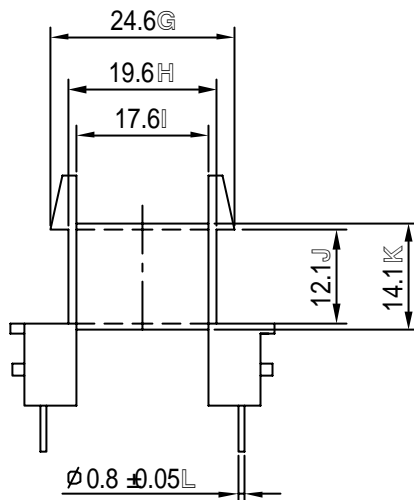
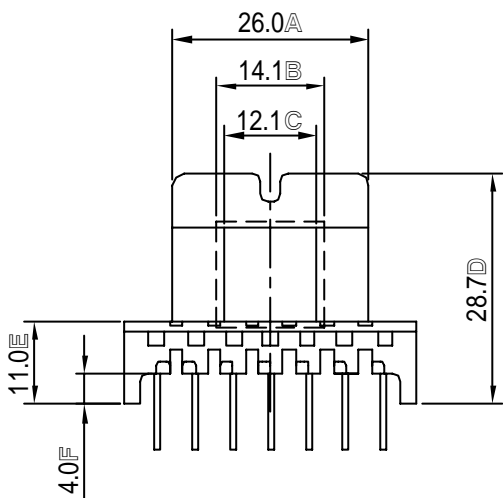
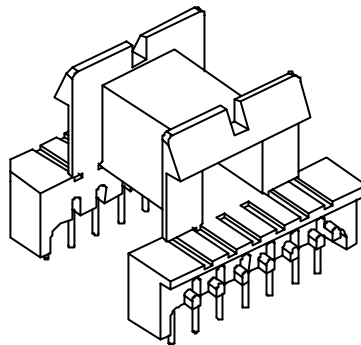
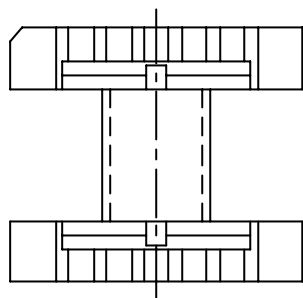


REVISIONS				
ISSUE	SYM	DATE	DRAFTER	CHECKER

NOTE:

 <b>樹林企業股份有限公司</b> TAIWAN SHULIN ENTERPRISE CO., LTD	MODEL	TF-4007		
	MATERIAL	PHENOLIC		
WEB:www.bobbin.com.tw	UL RATING	UL94V-0	TOLERANCE .X ±0.2 .XX ±0.15 PIN PITCH ±0.1	
e-mail:shulin@bobbin.com.tw	PIN MATERIAL	CP WIRE		
(TAIWAN TAIPEI) TEL: (886)2-2223-1500 FAX: (886)2-2222-4646	EDITION	2.0		
(CHINA DONGGUAN) TEL: (86)769-7730-785 FAX: (86)769-7312-387	DATE	2002/8/15	UNIT	MM
(CHINA SUZHOU) TEL: (86)512-6621-0580 FAX: (86)512-6621-0685	SCALE	1/1		

-D1-E40-P06 -

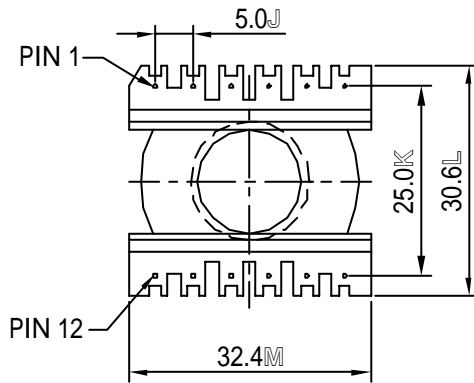
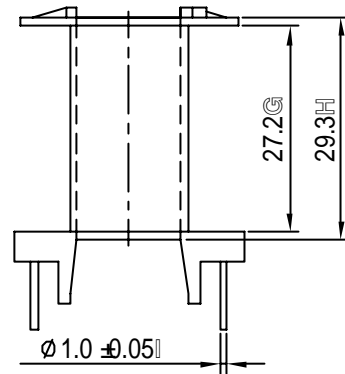
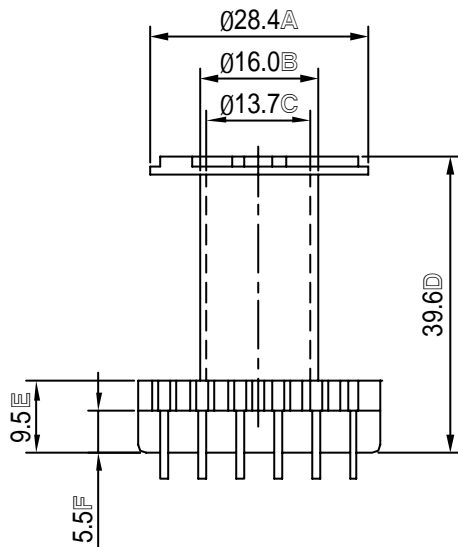
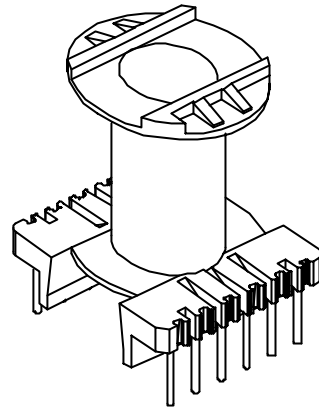
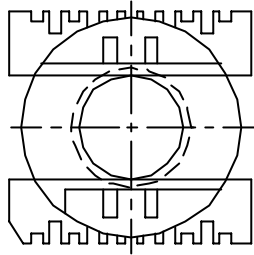


REVISIONS				
ISSUE	SYM	DATE	DRAFTER	CHECKER

NOTE:

 <b>樹林企業股份有限公司</b> TAIWAN SHULIN ENTERPRISE CO., LTD	MODEL	TF-4008		
	MATERIAL	PHENOLIC		
WEB: www.bobbin.com.tw	UL RATING	UL94V-0	<b>TOLERANCE</b> .X $\pm 0.2$ .XX $\pm 0.15$ PIN PITCH $\pm 0.1$	
e-mail: shulin@bobbin.com.tw	PIN MATERIAL	CP WIRE		
(TAIWAN TAIPEI) TEL: (886)2-2223-1500 FAX: (886)2-2222-4646	EDITION	2.0		
(CHINA DONGGUAN) TEL: (86)769-7730-785 FAX: (86)769-7312-387	DATE	2002/8/15		
(CHINA SUZHOU) TEL: (86)512-6621-0580 FAX: (86)512-6621-0685	SCALE	1/1	UNIT	MM

-D1-E40-P07 -



REVISIONS				
ISSUE	SYM	DATE	DRAFTER	CHECKER

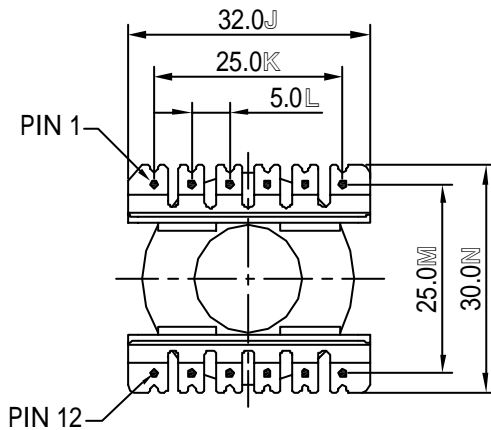
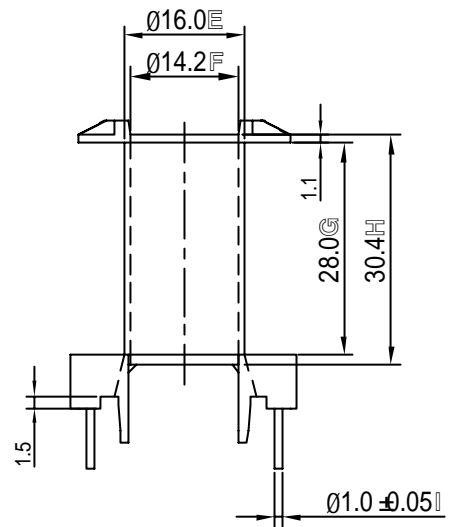
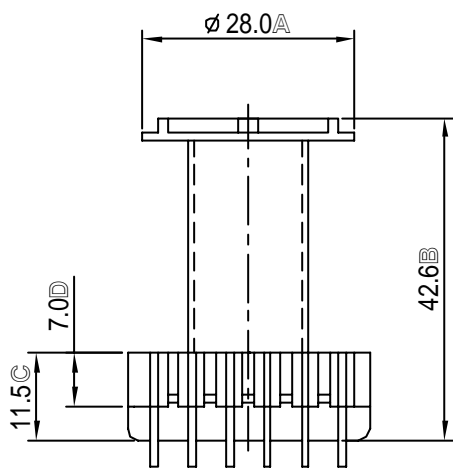
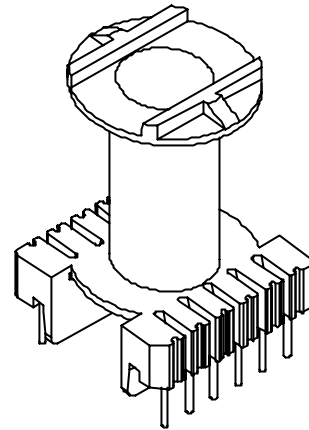
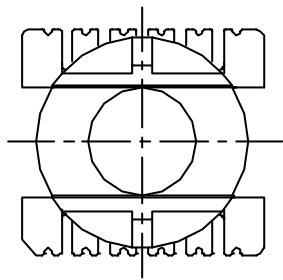
NOTE:

 **樹林企業股份有限公司**  
TAIWAN SHULIN ENTERPRISE CO., LTD

MODEL	TF-4009
MATERIAL	PHENOLIC

WEB:www.bobbin.com.tw	UL RATING	UL94V-0	TOLERANCE .X ±0.2 .XX ±0.15 PIN PITCH ±0.1	
e-mail:shulin@bobbin.com.tw	PIN MATERIAL	CP WIRE		
(TAIWAN TAIPEI) TEL:(886)2-2223-1500 FAX:(886)2-2222-4646	EDITION	2.0		
(CHINA DONGGUAN) TEL:(86)769-7730-785 FAX:(86)769-7312-387	DATE	2002/8/15		
(CHINA SUZHOU) TEL:(86)512-6621-0580 FAX:(86)512-6621-0685	SCALE	1/1	UNIT	MM

-D2-ER40-P01 -

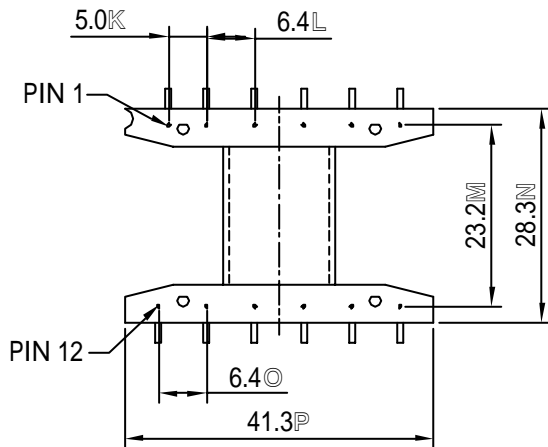
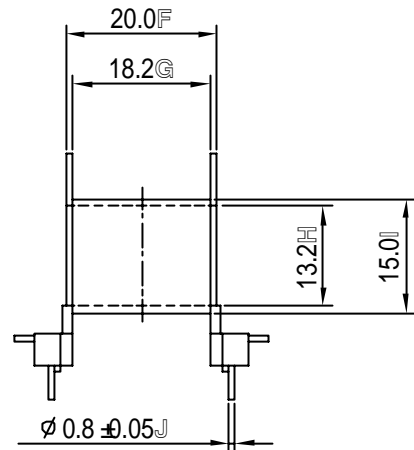
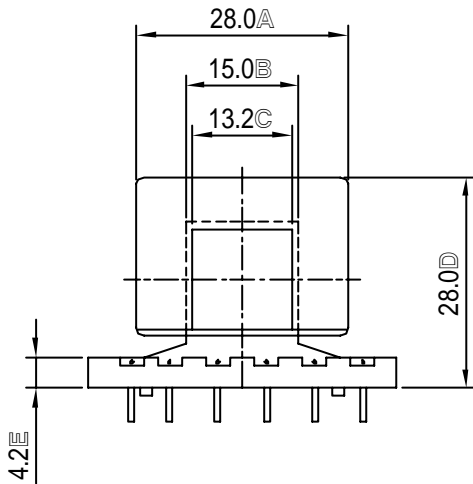
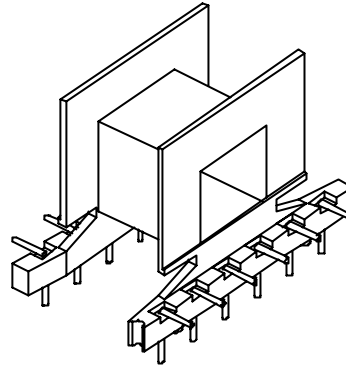
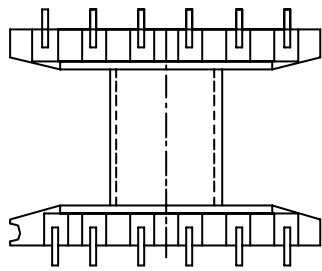


REVISIONS				
ISSUE	SYM	DATE	DRAFTER	CHECKER
NOTE:				

 <b>樹林企業股份有限公司</b> TAIWAN SHULIN ENTERPRISE CO., LTD	MODEL	TF-4009-1		
	MATERIAL	PHENOLIC		
WEB:www.bobbin.com.tw	UL RATING	UL 94V-0	TOLERANCE .X ±0.2 .XX ±0.1 PIN PITCH ±0.1	
e-mail:shulin@bobbin.com.tw	PIN MATERIAL	CP WIRE		
(TAIWAN TAIPEI) TEL:(886)(02)2225-1278 FAX:(886)(02)2222-4646	EDITION	2.0		
(CHINA DONGGUAN) TEL:(86)769-7730-785 FAX:(86)769-7312-387	DATE	2002/9/5		
(CHINA SUZHOU) TEL:(86)512-6621-0580 FAX:(86)512-5621-0685	SCALE	1/1	UNIT	MM

-D2-ER40-P02 -



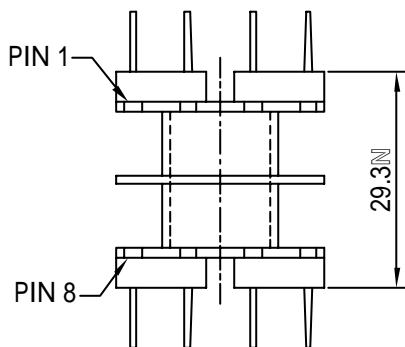
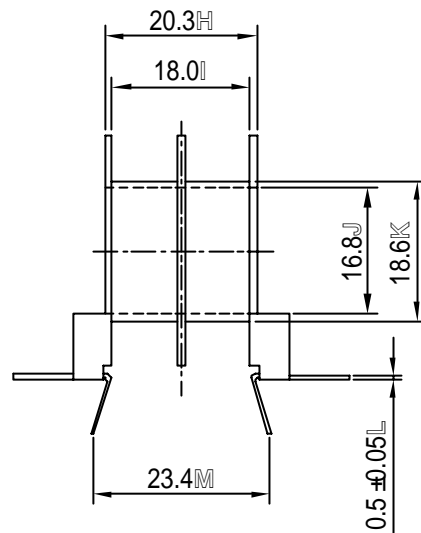
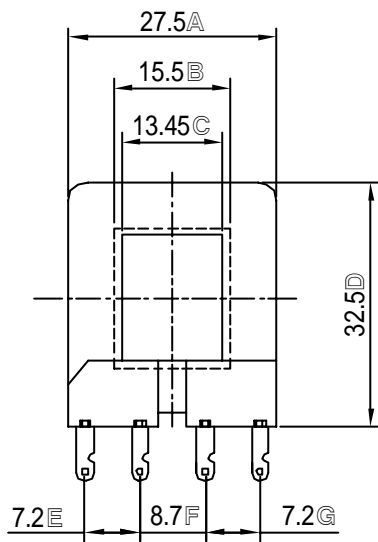
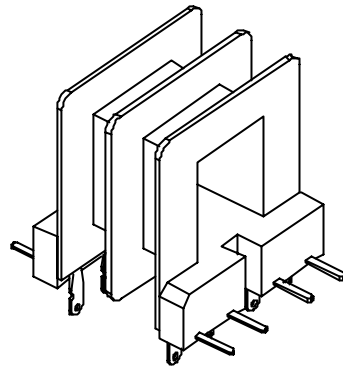
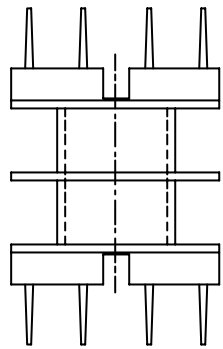


REVISIONS				
ISSUE	SYM	DATE	DRAFTER	CHECKER

NOTE:

 <b>樹林企業股份有限公司</b> TAIWAN SHULIN ENTERPRISE CO., LTD	MODEL	TF-4101		
	MATERIAL	PBT		
WEB: www.bobbin.com.tw	UL RATING	UL94V-0	TOLERANCE	
e-mail: shulin@bobbin.com.tw	PIN MATERIAL	CP WIRE		
(TAIWAN TAIPEI) TEL: (886)2-2223-1500 FAX: (886)2-2222-4646	EDITION	2.0		
(CHINA DONGGUAN) TEL: (86)769-7730-785 FAX: (86)769-7312-387	DATE	2002/8/15	.X $\pm 0.2$	
(CHINA SUZHOU) TEL: (86)512-6621-0580 FAX: (86)512-6621-0685	SCALE	1/1	.XX $\pm 0.15$	
			PIN PITCH	$\pm 0.1$
			UNIT	MM

-D1-E41-P01 -

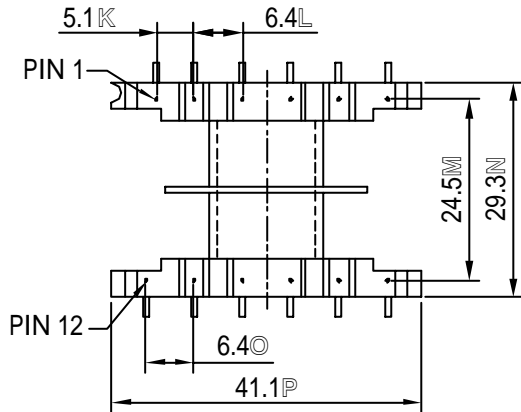
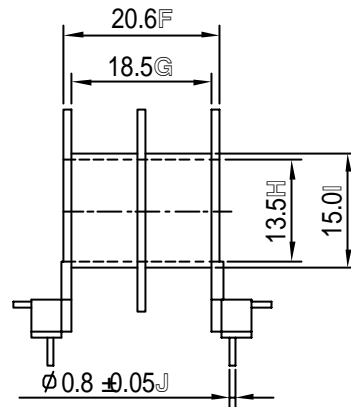
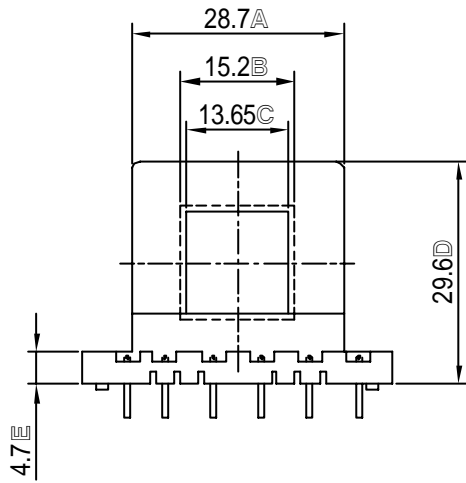
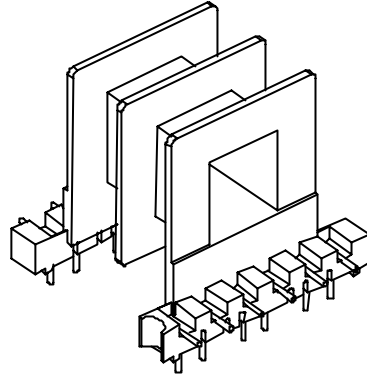
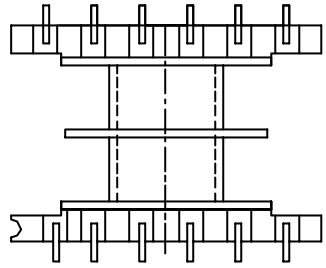


REVISIONS				
ISSUE	SYM	DATE	DRAFTER	CHECKER

NOTE:

 <b>樹林企業股份有限公司</b> TAIWAN SHULIN ENTERPRISE CO., LTD	MODEL	TF-4103		
	MATERIAL	NYLON 66		
WEB:www.bobbin.com.tw	UL RATING	UL94V-0	TOLERANCE .X ±0.2 .XX ±0.15 PIN PITCH ±0.1	
e-mail:shulin@bobbin.com.tw	PIN MATERIAL	PHOS.B		
(TAIWAN TAIPEI) TEL:(886)2-2223-1500 FAX:(886)2-2222-4646	EDITION	2.0		
(CHINA DONGGUAN) TEL:(86)769-7730-785 FAX:(86)769-7312-387	DATE	2002/8/15	UNIT	MM
(CHINA SUZHOU) TEL:(86)512-6621-0580 FAX:(86)512-6621-0685	SCALE	1/1		

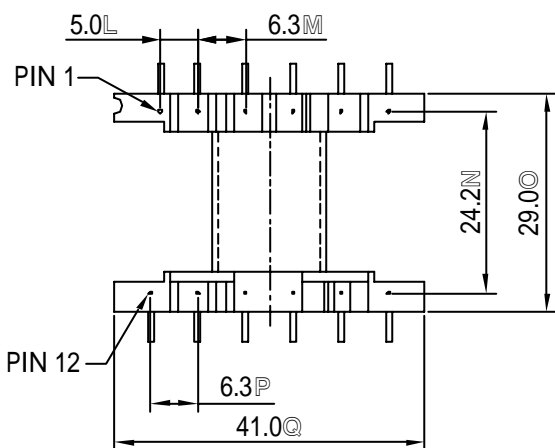
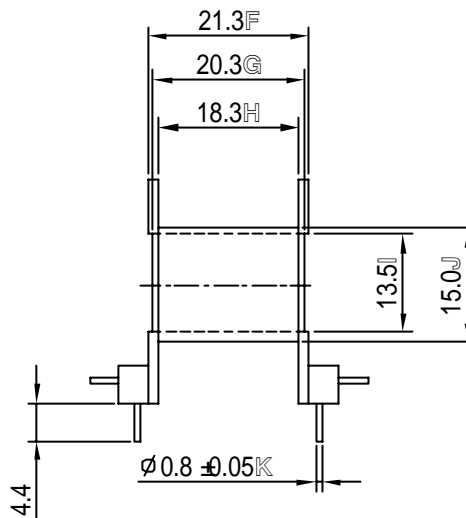
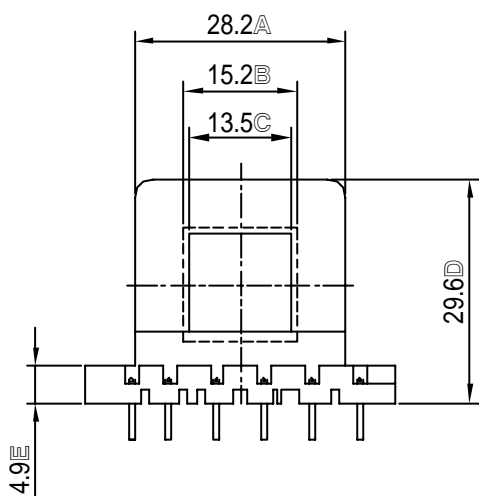
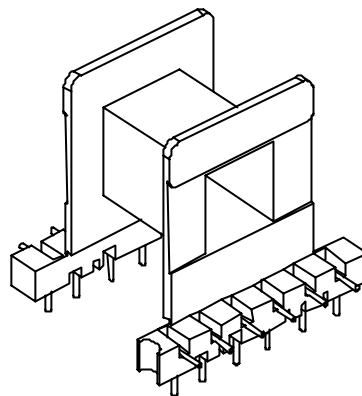
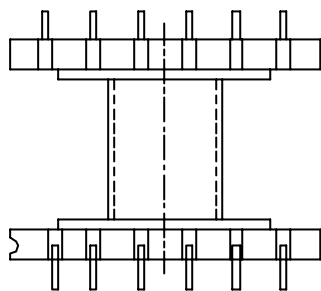
-D1-E41-P02 -



REVISIONS				
ISSUE	SYM	DATE	DRAFTER	CHECKER
NOTE:				

 <b>樹林企業股份有限公司</b> TAIWAN SHULIN ENTERPRISE CO., LTD	MODEL		TF-4105	
	MATERIAL		NYLON 66	
WEB: www.bobbin.com.tw	UL RATING	UL94V-0	TOLERANCE .X $\pm 0.2$ .XX $\pm 0.15$ PIN PITCH $\pm 0.1$	
e-mail: shulin@bobbin.com.tw	PIN MATERIAL	CP WIRE		
(TAIWAN TAIPEI) TEL: (886)2-2223-1500 FAX: (886)2-2222-4646	EDITION	2.0		
(CHINA DONGGUAN) TEL: (86)769-7730-785 FAX: (86)769-7312-387	DATE	2002/8/15	UNIT	MM
(CHINA SUZHOU) TEL: (86)512-6621-0580 FAX: (86)512-6621-0685	SCALE	1/1		

-D1-E41-P03 -



REVISIONS				
ISSUE	SYM	DATE	DRAFTER	CHECKER
NOTE:				



**樹林企業股份有限公司**

TAIWAN SHULIN ENTERPRISE CO., LTD

WEB: www.bobbin.com.tw

e-mail: shulin@bobbin.com.tw

(TAIWAN TAIPEI) TEL: (886)2-2223-1500 FAX: (886)2-2222-4646

(CHINA DONGGUAN) TEL: (86)769-7730-785 FAX: (86)769-7312-387

(CHINA SUZHOU) TEL: (86)512-6621-0580 FAX: (86)512-6621-0685

MODEL

TF-4106

MATERIAL

PBT

UL RATING

UL94V-0

TOLERANCE

PIN MATERIAL

CP WIRE

.X  $\pm 0.2$

EDITION

2.0

.XX  $\pm 0.15$

DATE

2002/8/15

PIN PITCH  $\pm 0.1$

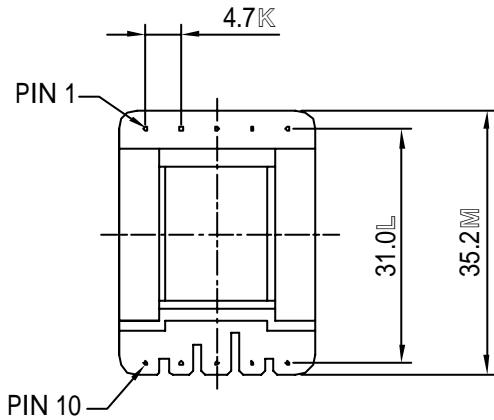
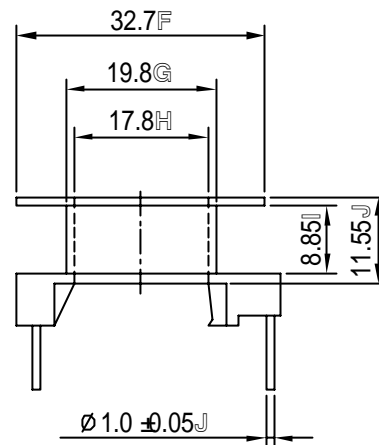
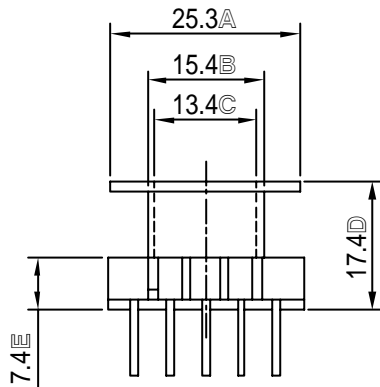
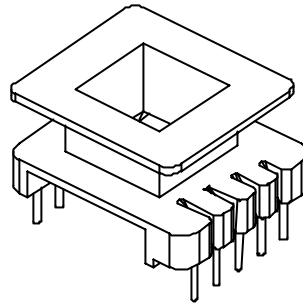
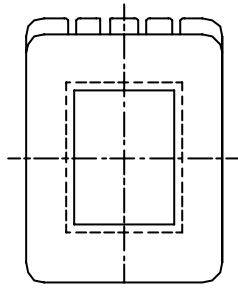
SCALE

1/1

UNIT

MM

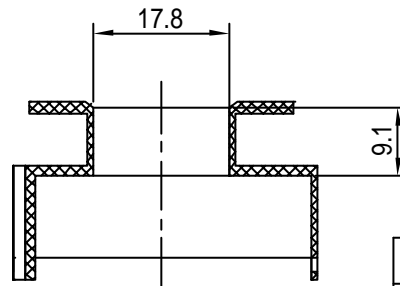
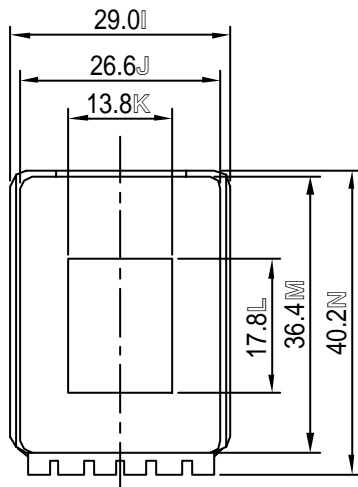
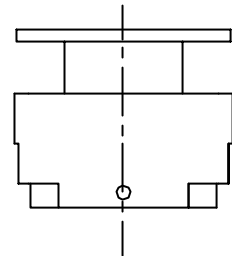
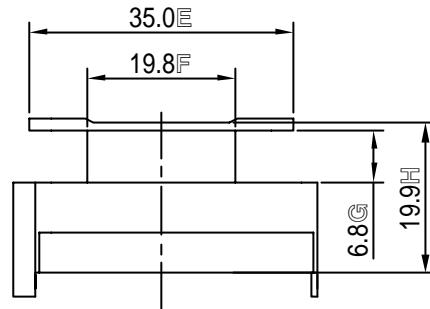
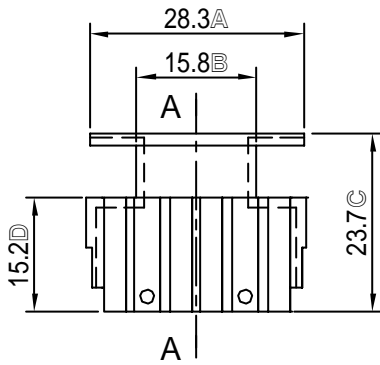
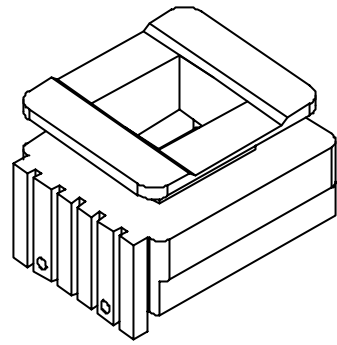
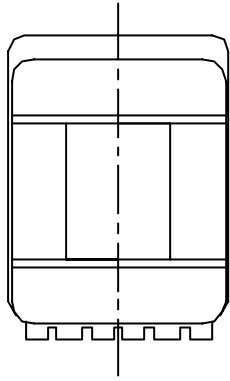
-D1-E41-P04 -



REVISIONS				
ISSUE	SYM	DATE	DRAFTER	CHECKER
NOTE:				

 <b>樹林企業股份有限公司</b> TAIWAN SHULIN ENTERPRISE CO., LTD	MODEL	TF-4107		
	MATERIAL	PHENOLIC		
WEB: www.bobbin.com.tw	UL RATING	UL94V-0	TOLERANCE .X $\pm 0.2$ .XX $\pm 0.15$ PIN PITCH $\pm 0.1$	
e-mail: shulin@bobbin.com.tw	PIN MATERIAL	CP WIRE		
(TAIWAN TAIPEI) TEL: (886)2-2223-1500 FAX: (886)2-2222-4646	EDITION	2.0		
(CHINA DONGGUAN) TEL: (86)769-7730-785 FAX: (86)769-7312-387	DATE	2002/8/15	UNIT	MM
(CHINA SUZHOU) TEL: (86)512-6621-0580 FAX: (86)512-6621-0685	SCALE	1/1		

-D1-E41-P05 -



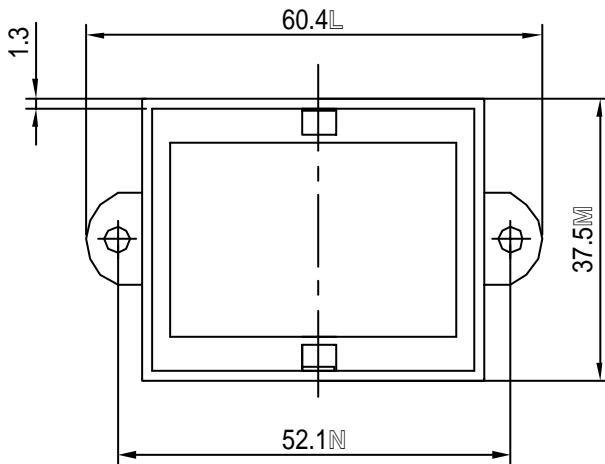
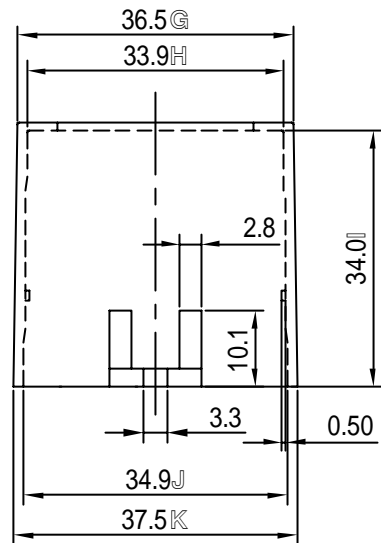
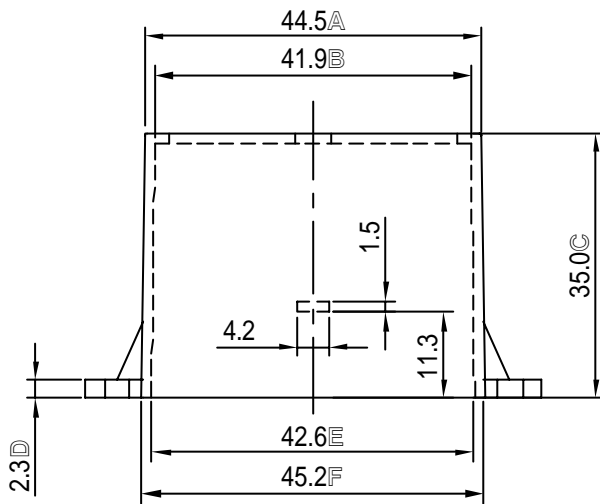
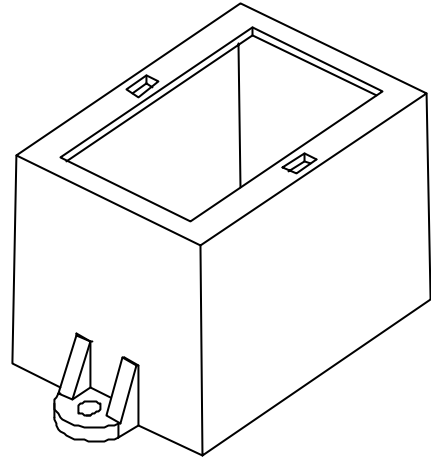
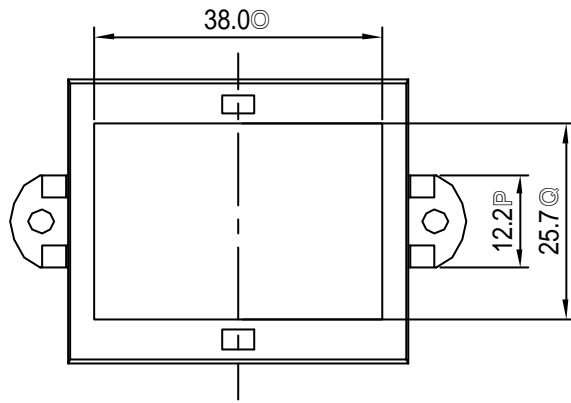
SECTION: A-A

REVISIONS				
ISSUE	SYM	DATE	DRAFTER	CHECKER

NOTE:

 <b>樹林企業股份有限公司</b> TAIWAN SHULIN ENTERPRISE CO., LTD	MODEL	TF-4107COVER		
	MATERIAL	NYLON		
WEB:www.bobbin.com.tw	UL RATING	UL94V-0	TOLERANCE .X $\pm 0.2$ .XX $\pm 0.15$ PIN PITCH $\pm 0.1$	
e-mail:shulin@bobbin.com.tw	PIN MATERIAL			
(TAIWAN TAIPEI) TEL:(886)2-2223-1500 FAX:(886)2-2222-4646	EDITION	2.0		
(CHINA DONGGUAN) TEL:(86)769-7730-785 FAX:(86)769-7312-387	DATE	2002/8/15		
(CHINA SUZHOU) TEL:(86)512-6621-0580 FAX:(86)512-6621-0685	SCALE	1/1	UNIT	MM

-D1-E41-P06 -

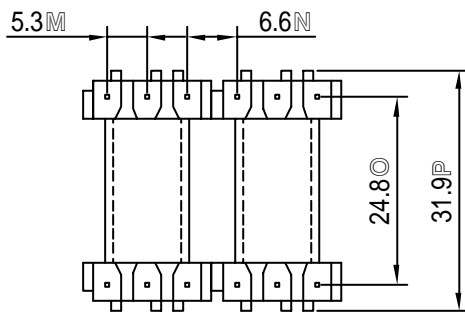
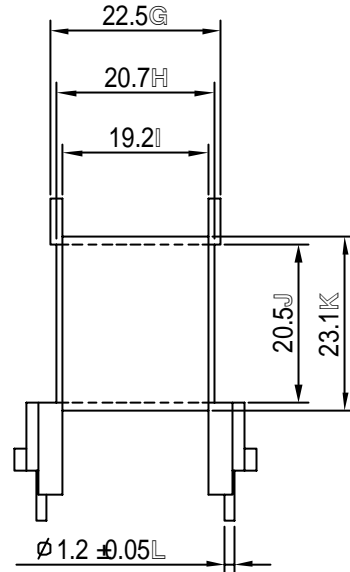
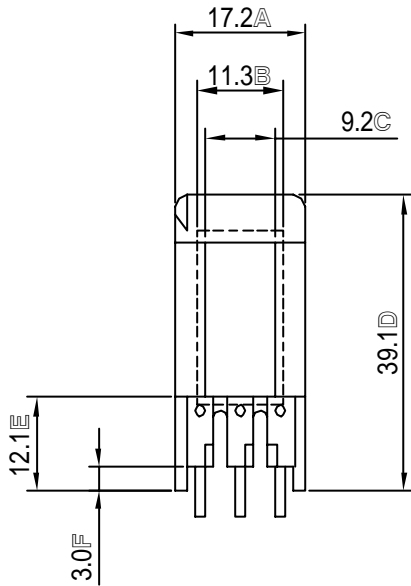
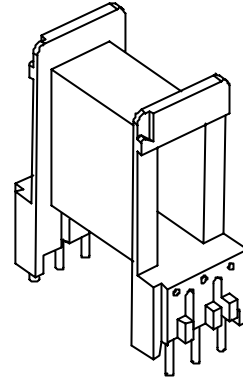
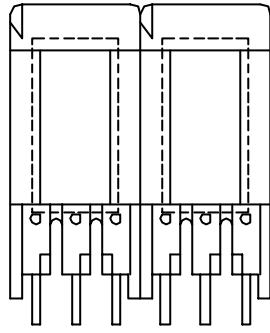


REVISIONS				
ISSUE	SYM	DATE	DRAFTER	CHECKER

NOTE:

 <b>樹林企業股份有限公司</b> TAIWAN SHULIN ENTERPRISE CO., LTD	MODEL		TF-4108 CASE	
	MATERIAL		PC	
WEB: www.bobbin.com.tw	UL RATING	UL94V-0	TOLERANCE  .X ±0.2 .XX ±0.15 PIN PITCH ±0.1	
e-mail: shulin@bobbin.com.tw	PIN MATERIAL	CP WIRE		
(TAIWAN TAIPEI) TEL: (886)2-2223-1500 FAX: (886)2-2222-4646	EDITION	2.0		
(CHINA DONGGUAN) TEL: (86)769-7730-785 FAX: (86)769-7312-387	DATE	2002/8/15		
(CHINA SUZHOU) TEL: (86)512-6621-0580 FAX: (86)512-6621-0685	SCALE	1/1	UNIT	MM

-D1-E41-P08 -

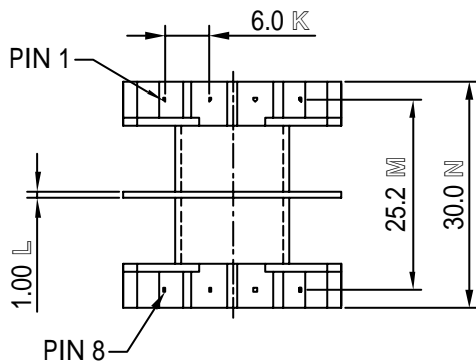
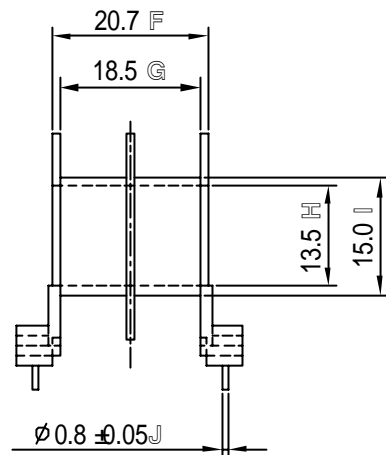
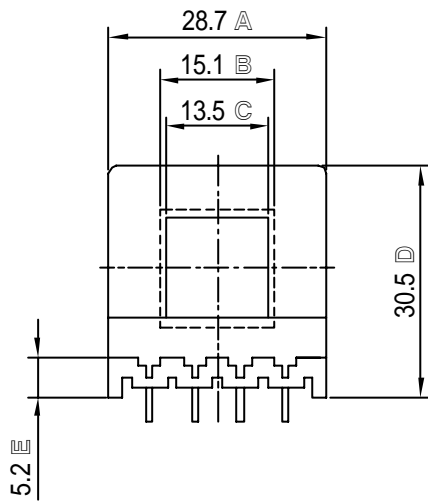
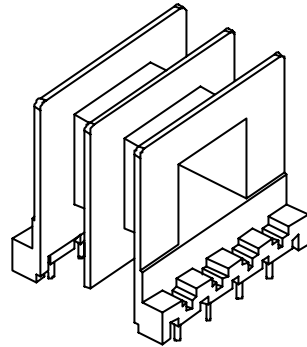
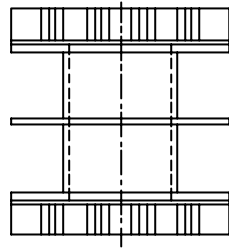


REVISIONS				
ISSUE	SYM	DATE	DRAFTER	CHECKER
NOTE:				

 <b>樹林企業股份有限公司</b> TAIWAN SHULIN ENTERPRISE CO., LTD	MODEL		TF-4108	
	MATERIAL		PET (FR 530)	
WEB:www.bobbin.com.tw	UL RATING	UL94V-0	TOLERANCE .X $\pm 0.2$ .XX $\pm 0.15$ PIN PITCH $\pm 0.1$	
e-mail:shulin@bobbin.com.tw	PIN MATERIAL	CP WIRE		
(TAIWAN TAIPEI) TEL:(886)2-2223-1500 FAX:(886)2-2222-4646	EDITION	2.0		
(CHINA DONGGUAN) TEL:(86)769-7730-785 FAX:(86)769-7312-387	DATE	2002/8/15		
(CHINA SUZHOU) TEL:(86)512-6621-0580 FAX:(86)512-6621-0685	SCALE	1/1	UNIT	MM

-D1-E41-P07 -



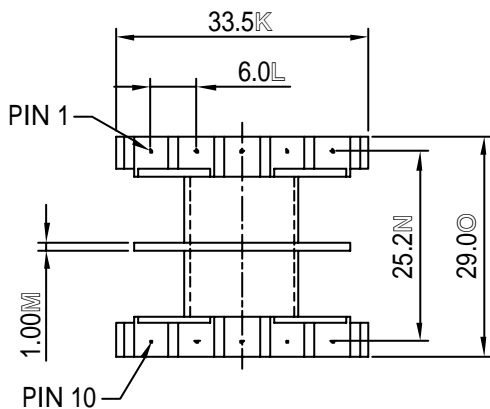
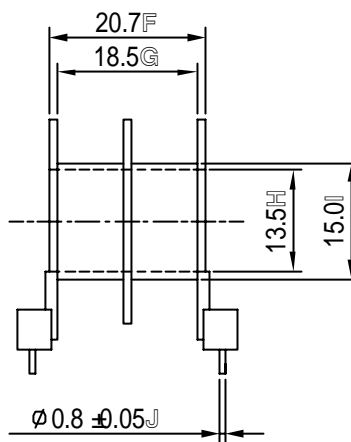
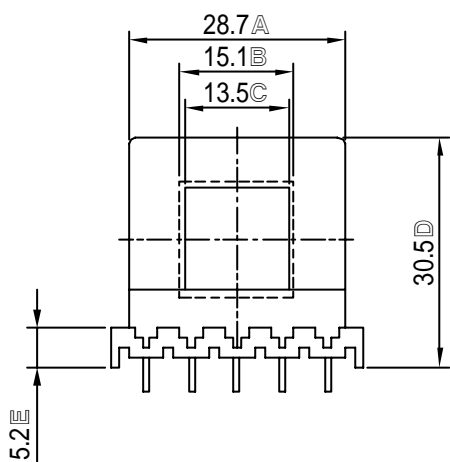
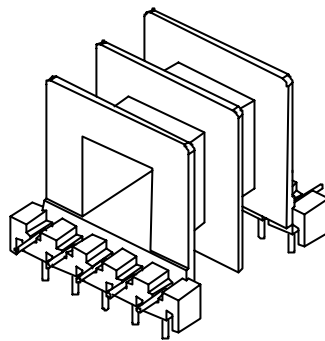
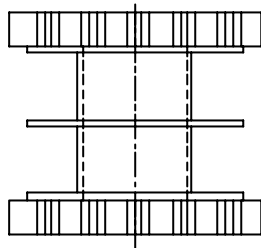


REVISIONS				
ISSUE	SYM	DATE	DRAFTER	CHECKER

NOTE:

 <b>樹林企業股份有限公司</b> TAIWAN SHULIN ENTERPRISE CO., LTD	MODEL		TF-4109	
	MATERIAL		NYLON 66	
WEB: www.bobbin.com.tw	UL RATING	UL94V-0	TOLERANCE .X $\pm 0.2$ .XX $\pm 0.15$ PIN PITCH $\pm 0.1$	
e-mail: shulin@bobbin.com.tw	PIN MATERIAL	CP WIRE		
(TAIWAN TAIPEI) TEL: (886)2-2223-1500 FAX: (886)2-2222-4646	EDITION	2.0		
(CHINA DONGGUAN) TEL: (86)769-7730-785 FAX: (86)769-7312-387	DATE	2002/8/15		
(CHINA SUZHOU) TEL: (86)512-6621-0580 FAX: (86)512-6621-0685	SCALE	1/1	UNIT	MM

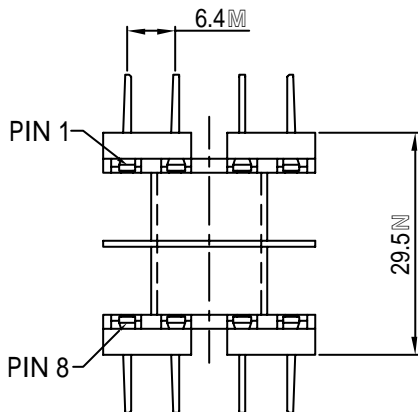
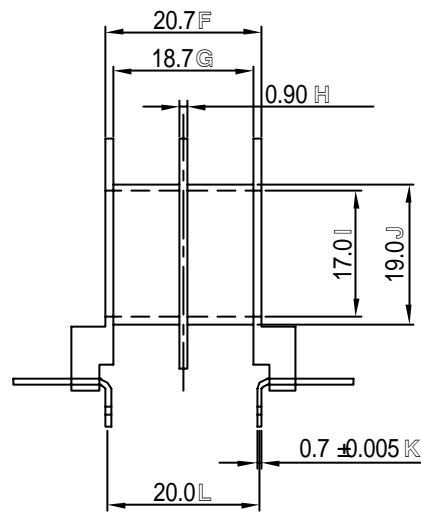
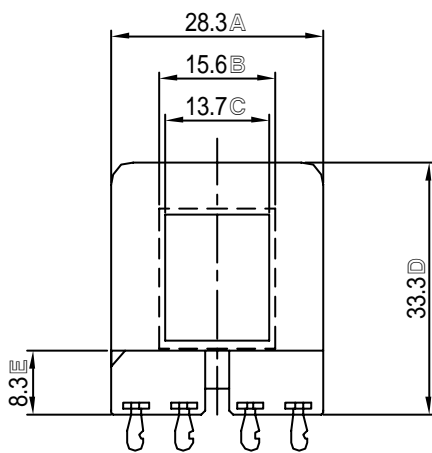
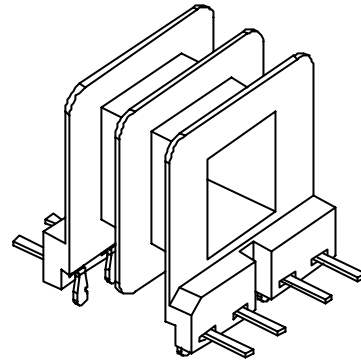
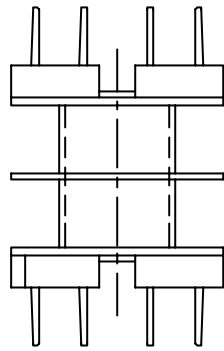
-D1-E41-P09 -



REVISIONS				
ISSUE	SYM	DATE	DRAFTER	CHECKER
NOTE:				

 <b>樹林企業股份有限公司</b> TAIWAN SHULIN ENTERPRISE CO., LTD	MODEL		TF-4110	
	MATERIAL		PBT	
WEB: <a href="http://www.bobbin.com.tw">www.bobbin.com.tw</a>	UL RATING	UL94V-0	TOLERANCE .X $\pm 0.2$ .XX $\pm 0.15$ PIN PITCH $\pm 0.1$	
e-mail: <a href="mailto:shulin@bobbin.com.tw">shulin@bobbin.com.tw</a>	PIN MATERIAL	CP WIRE		
(TAIWAN TAIPEI) TEL: (886)2-2223-1500 FAX: (886)2-2222-4646	EDITION	2.0		
(CHINA DONGGUAN) TEL: (86)769-7730-785 FAX: (86)769-7312-387	DATE	2002/8/15	UNIT	MM
(CHINA SUZHOU) TEL: (86)512-6621-0580 FAX: (86)512-6621-0685	SCALE	1/1		

-D1-E41-P10 -

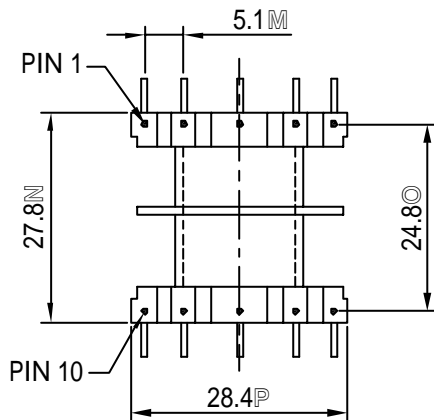
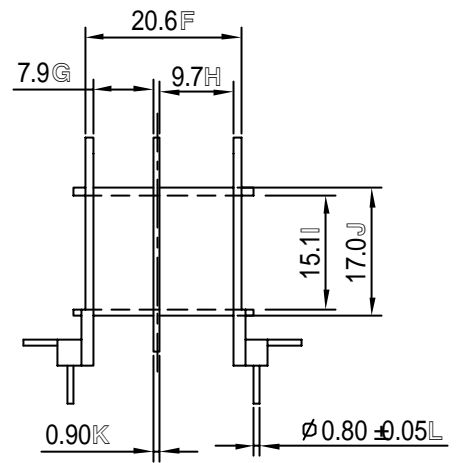
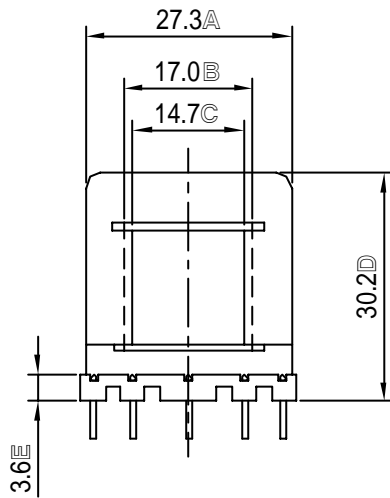
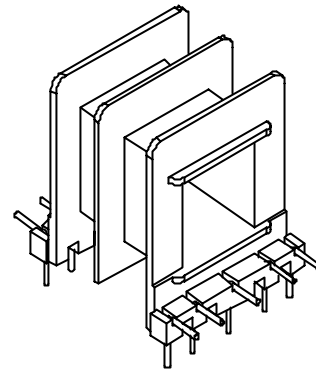
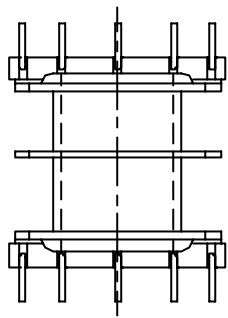


REVISIONS				
ISSUE	SYM	DATE	DRAFTER	CHECKER

NOTE:

 <b>樹林企業股份有限公司</b> TAIWAN SHULIN ENTERPRISE CO., LTD	MODEL		TF-4111	
	MATERIAL		PBT	
WEB:www.bobbin.com.tw	UL RATING	UL94V-0	TOLERANCE .X ±0.2 .XX ±0.15 PIN PITCH ±0.1	
e-mail:shulin@bobbin.com.tw	PIN MATERIAL	PHOS.B		
(TAIWAN TAIPEI) TEL:(886)2-2223-1500 FAX:(886)2-2222-4646	EDITION	2.0		
(CHINA DONGGUAN) TEL:(86)769-7730-785 FAX:(86)769-7312-387	DATE	2002/8/15	UNIT	MM
(CHINA SUZHOU) TEL:(86)512-6621-0580 FAX:(86)512-6621-0685	SCALE	1/1		

-D1-E41-P11 -



REVISIONS				
ISSUE	SYM	DATE	DRAFTER	CHECKER

NOTE:



樹林企業股份有限公司

TAIWAN SHULIN ENTERPRISE CO., LTD

WEB: [www.bobbin.com.tw](http://www.bobbin.com.tw)

e-mail: [shulin@bobbin.com.tw](mailto:shulin@bobbin.com.tw)

(TAIWAN TAIPEI) TEL: (886)2-2223-1500 FAX: (886)2-2222-4646

(CHINA DONGGUAN) TEL: (86)769-7730-785 FAX: (86)769-7312-387

(CHINA SUZHOU) TEL: (86)512-6621-0580 FAX: (86)512-6621-0685

MODEL

TF-4112

MATERIAL

NYLON

UL RATING

UL94V-0

TOLERANCE

.X  $\pm 0.2$

.XX  $\pm 0.15$

PIN PITCH  $\pm 0.1$

PIN MATERIAL

CP WIRE

EDITION

2.0

DATE

2002/8/15

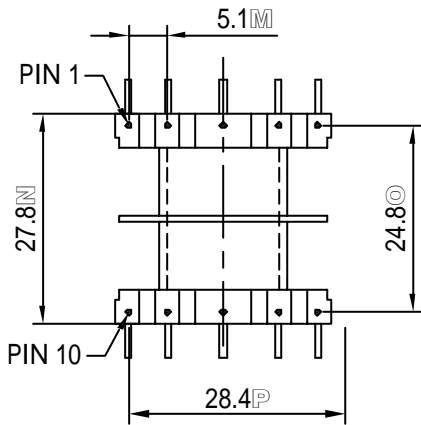
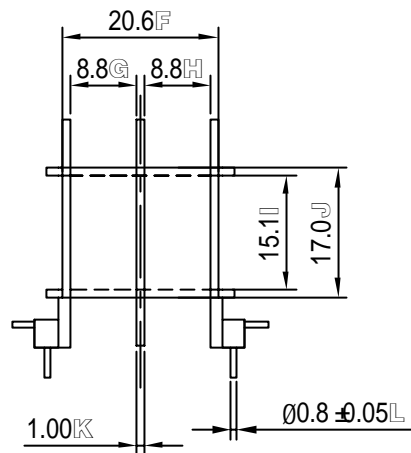
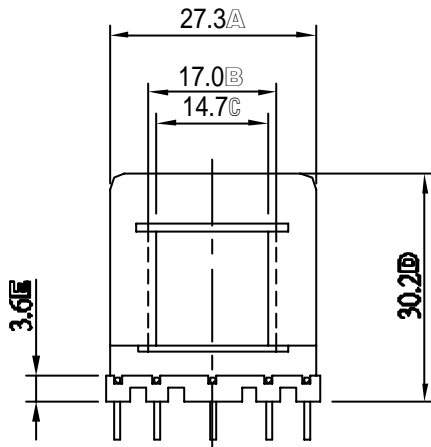
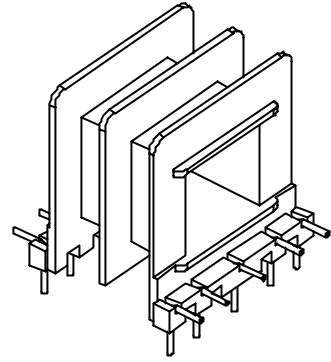
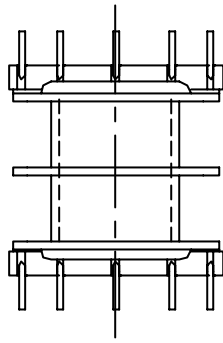
SCALE

1/1

UNIT

MM

-D1-E41-P12 -



REVISIONS				
ISSUE	SYM	DATE	DRAFTER	CHECKER

NOTE:



樹林企業股份有限公司

TAIWAN SHULIN ENTERPRISE CO., LTD

WEB:www.bobbin.com.tw

e-mail:shulin@bobbin.com.tw

(TAIWAN TAIPEI) TEL:(886)2-2223-1500 FAX:(886)2-2222-4646

(CHINA DONGGUAN) TEL:(86)769-7730-785 FAX:(86)769-7312-387

(CHINA SUZHOU) TEL:(86)512-6621-0580 FAX:(86)512-6621-0685

MODEL

TF-4113

MATERIAL

NYLON

UL RATING

UL94V-0

TOLERANCE

PIN MATERIAL

CP WIRE

.X  $\pm 0.2$

EDITION

2.0

.XX  $\pm 0.15$

DATE

2002/8/15

PIN PITCH  $\pm 0.1$

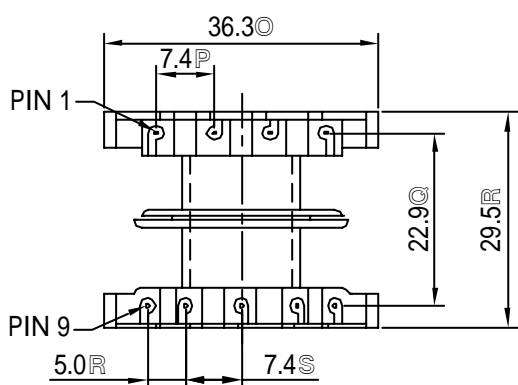
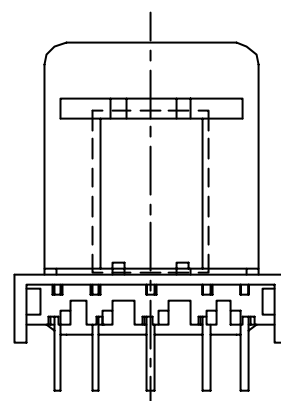
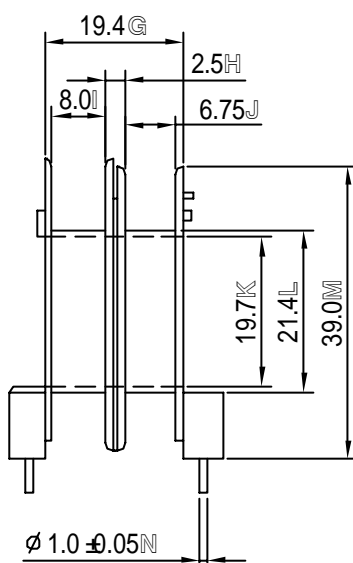
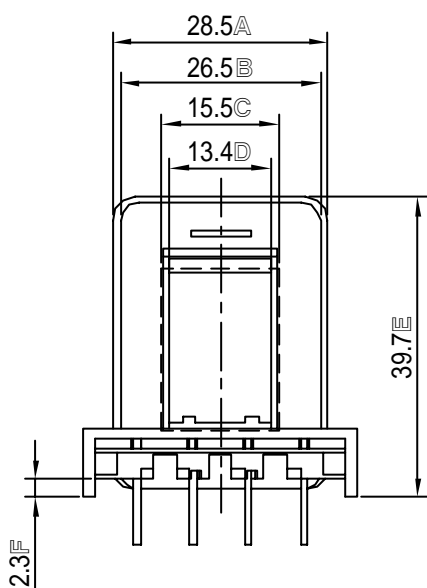
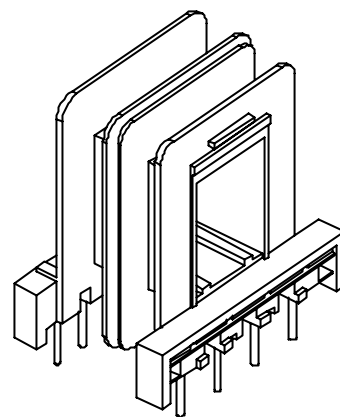
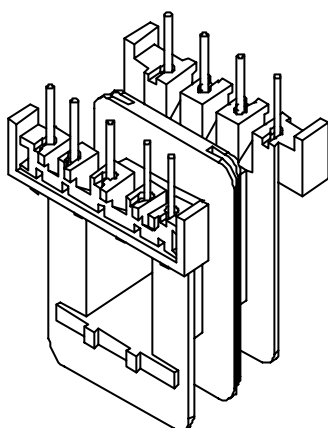
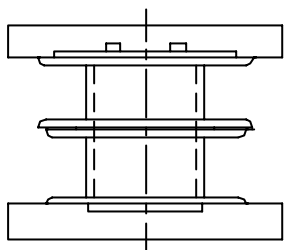
SCALE

1/1


UNIT

MM

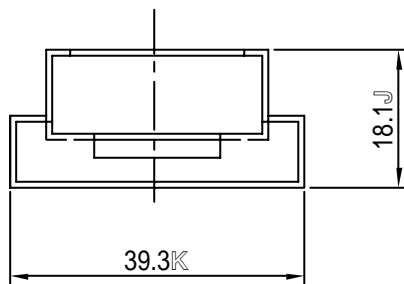
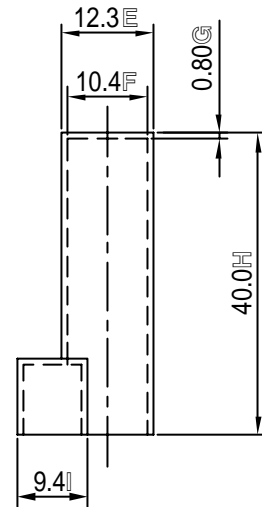
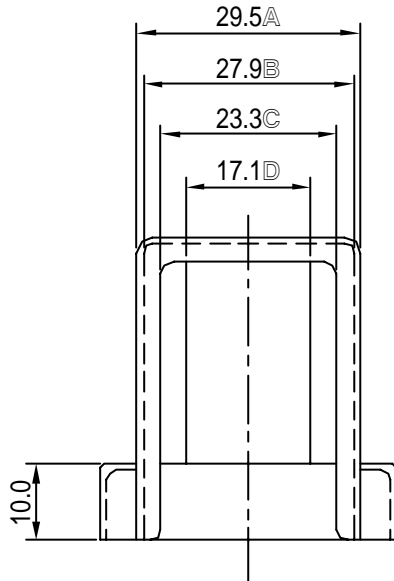
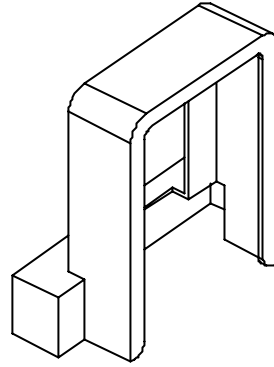
-D1-E41-P13 -



REVISIONS				
ISSUE	SYM	DATE	DRAFTER	CHECKER
NOTE:				

 <b>樹林企業股份有限公司</b> TAIWAN SHULIN ENTERPRISE CO., LTD	MODEL		TF-4114 BOBBIN	
	MATERIAL		PBT	
WEB: <a href="http://www.bobbin.com.tw">www.bobbin.com.tw</a>	UL RATING	UL94V-0	TOLERANCE .X $\pm 0.2$ .XX $\pm 0.15$ PIN PITCH $\pm 0.1$	
e-mail: <a href="mailto:shulin@bobbin.com.tw">shulin@bobbin.com.tw</a>	PIN MATERIAL	CP WIRE		
(TAIWAN TAIPEI) TEL: (886)2-2223-1500 FAX: (886)2-2222-4646	EDITION	2.0		
(CHINA DONGGUAN) TEL: (86)769-7730-785 FAX: (86)769-7312-387	DATE	2002/8/15	UNIT	MM
(CHINA SUZHOU) TEL: (86)512-6621-0580 FAX: (86)512-6621-0685	SCALE	1/1		

-D1-E41-P15 -

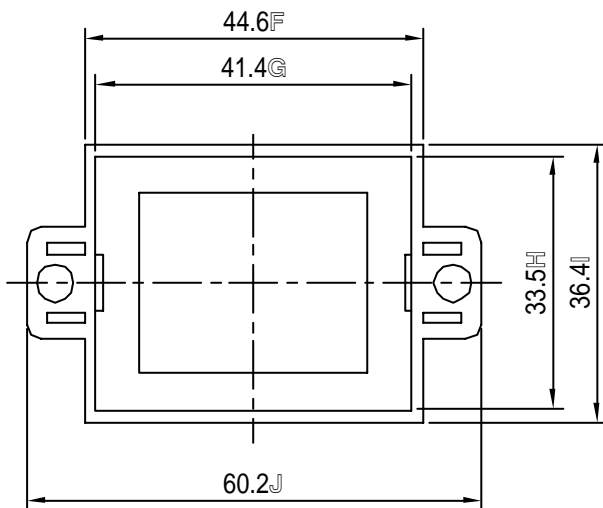
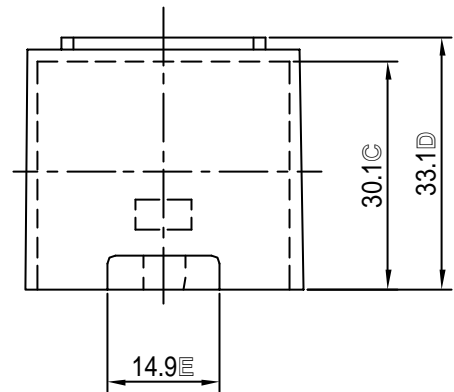
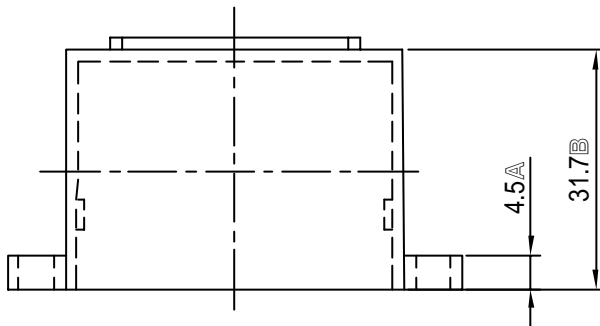
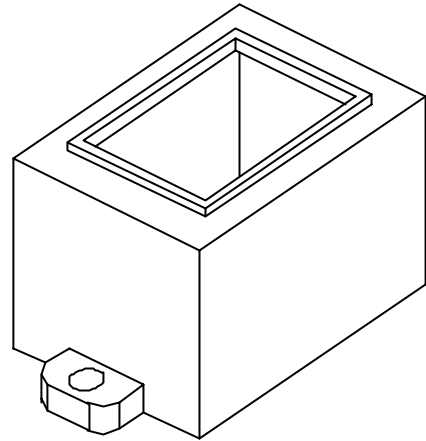
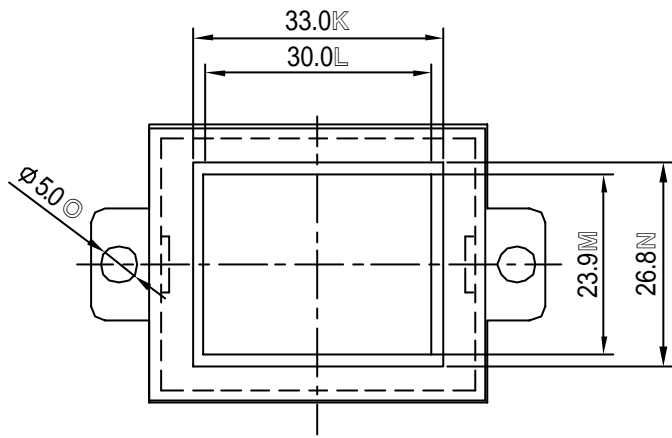


REVISIONS				
ISSUE	SYM	DATE	DRAFTER	CHECKER

NOTE:

 <b>樹林企業股份有限公司</b> TAIWAN SHULIN ENTERPRISE CO., LTD	MODEL	TF-4114		
	MATERIAL	NYLON		
WEB:www.bobbin.com.tw	UL RATING	UL94V-0	TOLERANCE .X $\pm 0.2$ .XX $\pm 0.15$ PIN PITCH $\pm 0.1$	
e-mail:shulin@bobbin.com.tw	PIN MATERIAL	CP WIRE		
(TAIWAN TAIPEI) TEL:(886)2-2223-1500 FAX:(886)2-2222-4646	EDITION	2.0		
(CHINA DONGGUAN) TEL:(86)769-7730-785 FAX:(86)769-7312-387	DATE	2002/8/15		
(CHINA SUZHOU) TEL:(86)512-6621-0580 FAX:(86)512-6621-0685	SCALE	1/1	UNIT	MM

-D1-E41-P16 -



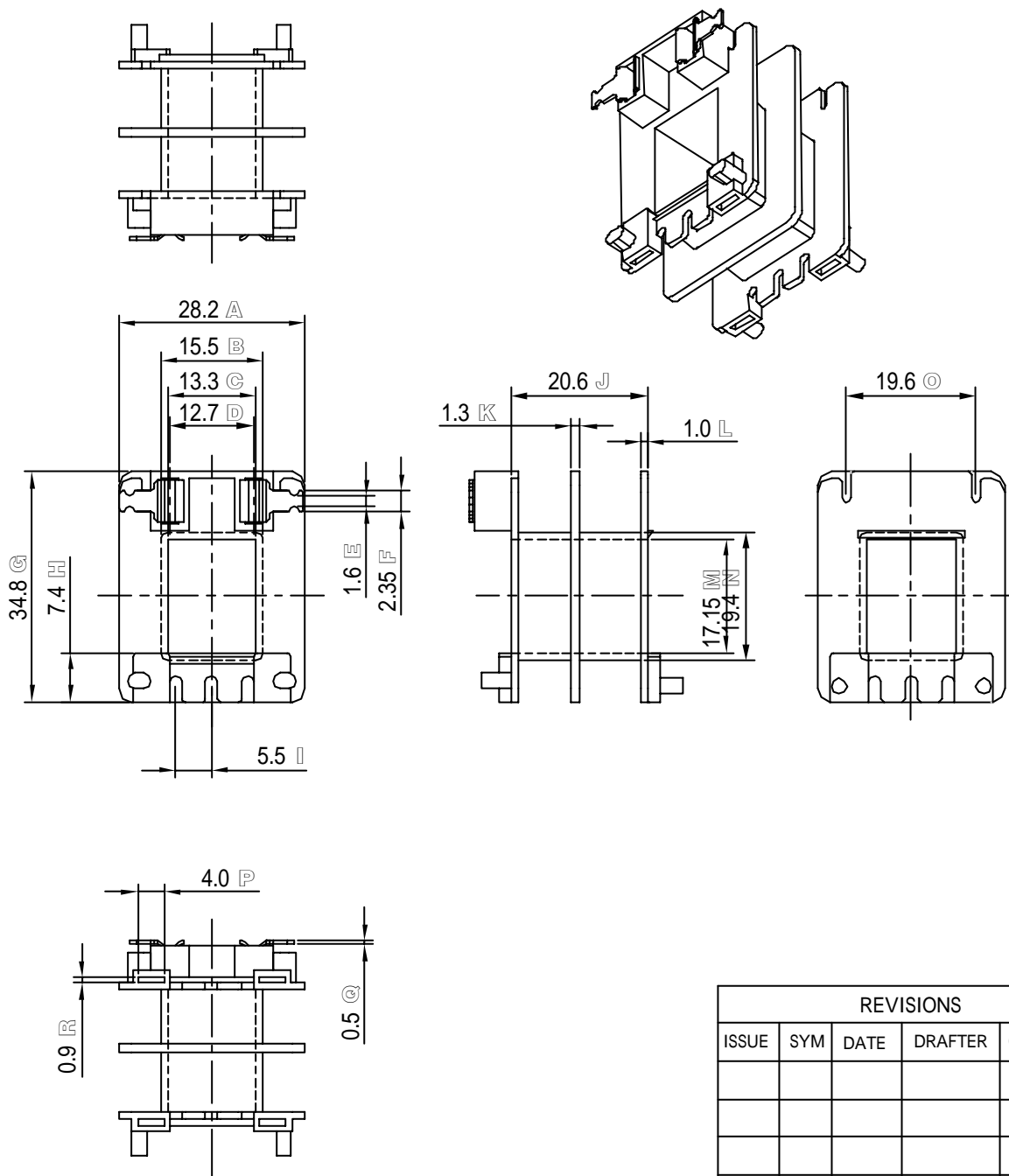
REVISIONS				
ISSUE	SYM	DATE	DRAFTER	CHECKER

NOTE:

 <b>樹林企業股份有限公司</b> TAIWAN SHULIN ENTERPRISE CO., LTD	MODEL		TF-4114 COVER	
	MATERIAL		ABS	
WEB: <a href="http://www.bobbin.com.tw">www.bobbin.com.tw</a>	UL RATING	UL94V-0	TOLERANCE .X $\pm 0.2$ .XX $\pm 0.15$ PIN PITCH $\pm 0.1$	
e-mail: <a href="mailto:shulin@bobbin.com.tw">shulin@bobbin.com.tw</a>	PIN MATERIAL	CP WIRE		
(TAIWAN TAIPEI) TEL: (886)2-2223-1500 FAX: (886)2-2222-4646	EDITION	2.0		
(CHINA DONGGUAN) TEL: (86)769-7730-785 FAX: (86)769-7312-387	DATE	2002/8/15	UNIT	MM
(CHINA SUZHOU) TEL: (86)512-6621-0580 FAX: (86)512-6621-0685	SCALE	1/1		

-D1-E41-P14 -

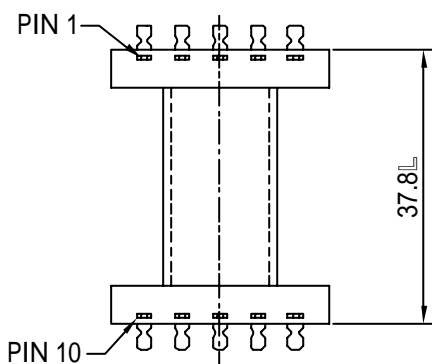
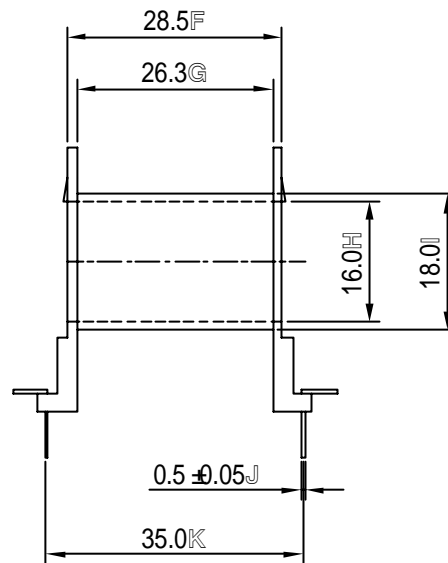
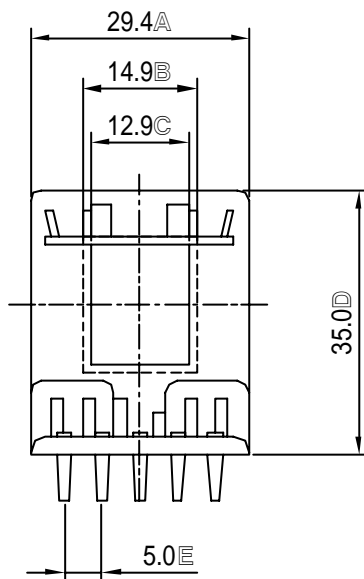
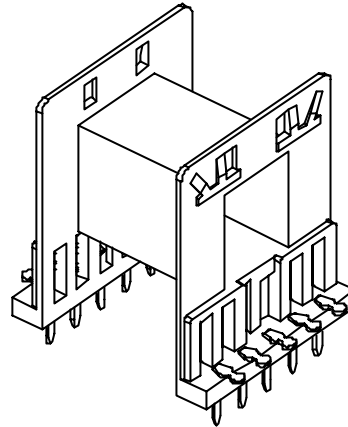
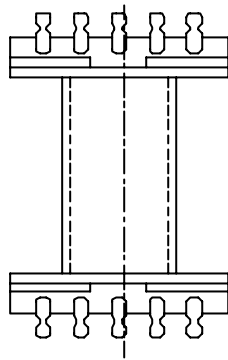




REVISIONS				
ISSUE	SYM	DATE	DRAFTER	CHECKER

NOTE:

 <b>樹林企業股份有限公司</b> TAIWAN SHULIN ENTERPRISE CO., LTD	MODEL		TF-4115	
	MATERIAL		NYLON	
http://www.bobbin.com.tw	UL RATING	UL94V-0	TOLERANCE .X $\pm 0.2$ .XX $\pm 0.15$ PIN PITCH $\pm 0.1$	
e-mail:shulin@www.bobbin.com.tw	PIN MATERIAL			
(TAIWAN TAIPEI) TEL:(886)(02)2225-1278 FAX:(886)(02)2222-4646	EDITION	1.0		
(CHINA DONGGUAN) TEL:( 86)769-773-0785 FAX:( 86)769-731-2387	DATE	2003/6/21		
(CHINA SUZHOU) TEL:( 86)512-6621-0580 FAX:(86)512-6521-0685	SCALE	1/1	UNIT	MM

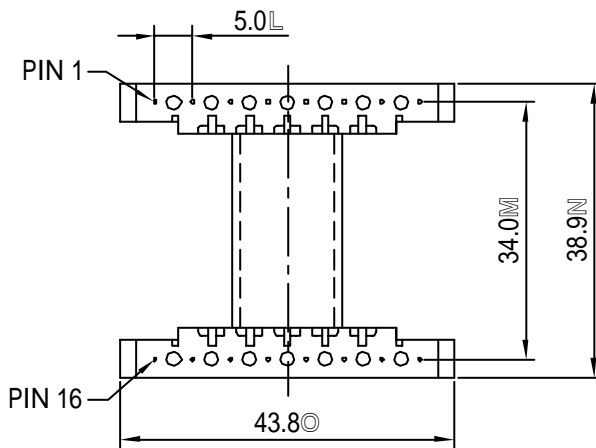
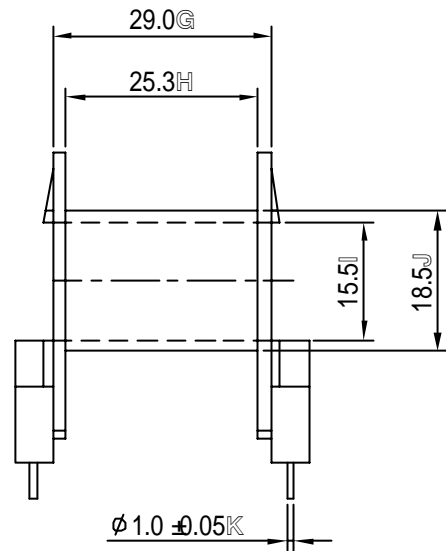
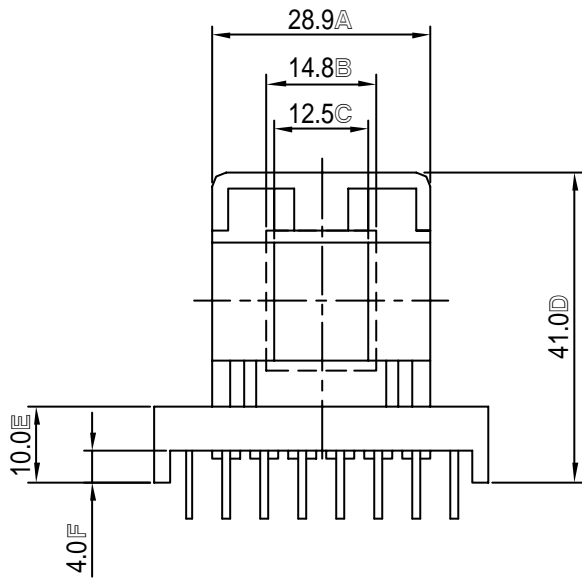
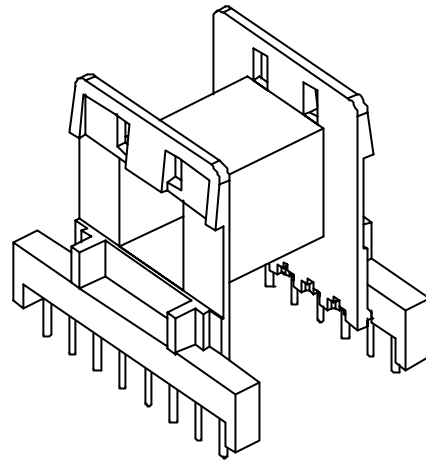
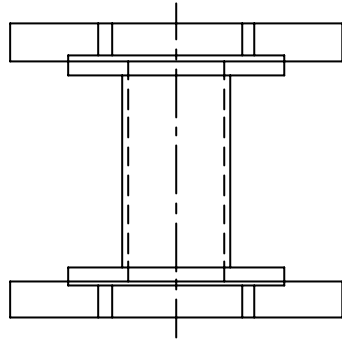


REVISIONS				
ISSUE	SYM	DATE	DRAFTER	CHECKER

NOTE:

 <b>樹林企業股份有限公司</b> TAIWAN SHULIN ENTERPRISE CO., LTD	MODEL	TF-4201		
	MATERIAL	PBT		
WEB: www.bobbin.com.tw	UL RATING	UL94V-0	TOLERANCE .X ±0.2 .XX ±0.15 PIN PITCH ±0.1	
e-mail: shulin@bobbin.com.tw	PIN MATERIAL	PHOS.B		
(TAIWAN TAIPEI) TEL: (886)2-2223-1500 FAX: (886)2-2222-4646	EDITION	2.0		
(CHINA DONGGUAN) TEL: (86)769-7730-785 FAX: (86)769-7312-387	DATE	2002/8/15	UNIT	MM
(CHINA SUZHOU) TEL: (86)512-6621-0580 FAX: (86)512-6621-0685	SCALE	1/1		

-D1-E42-P01 -

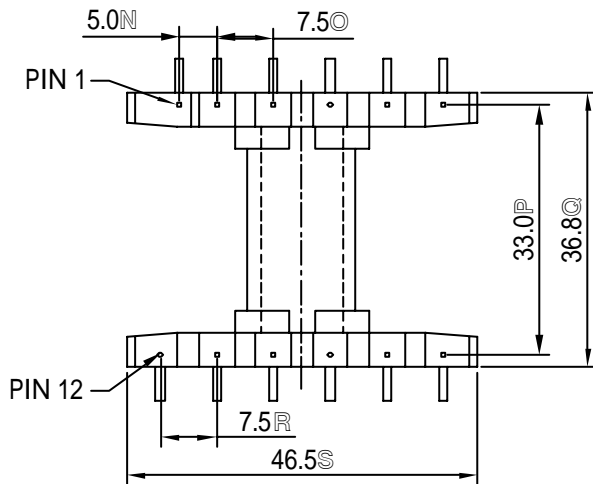
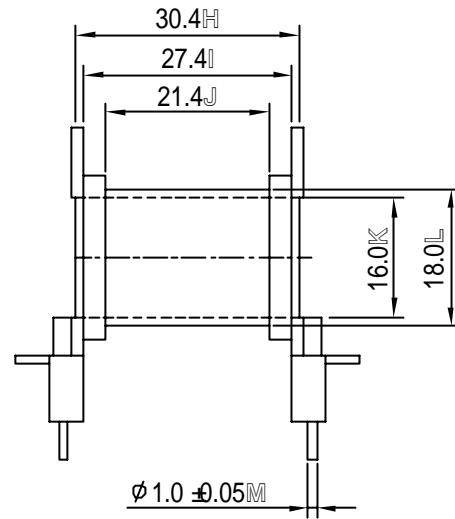
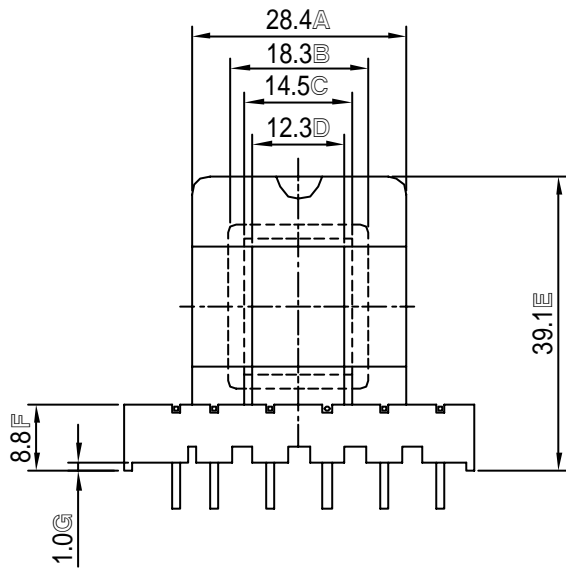
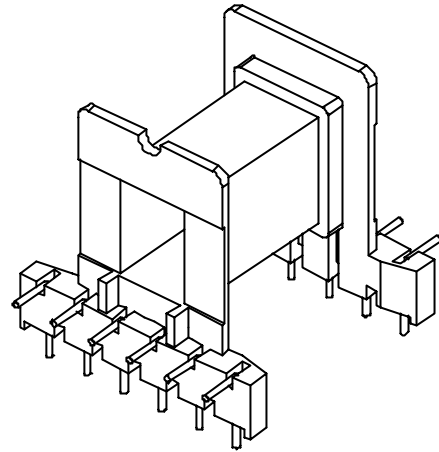
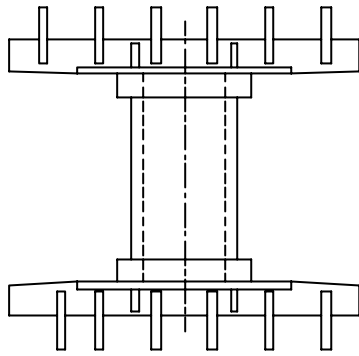


REVISIONS				
ISSUE	SYM	DATE	DRAFTER	CHECKER

NOTE:

 <b>樹林企業股份有限公司</b> TAIWAN SHULIN ENTERPRISE CO., LTD	MODEL		TF-4202	
	MATERIAL		PHENOLIC	
WEB: www.bobbin.com.tw	UL RATING	UL94V-0	TOLERANCE .X $\pm 0.2$ .XX $\pm 0.15$ PIN PITCH $\pm 0.1$	
e-mail: shulin@bobbin.com.tw	PIN MATERIAL	CP WIRE		
(TAIWAN TAIPEI) TEL: (886)2-2223-1500 FAX: (886)2-2222-4646	EDITION	2.0		
(CHINA DONGGUAN) TEL: (86)769-7730-785 FAX: (86)769-7312-387	DATE	2002/8/15		
(CHINA SUZHOU) TEL: (86)512-6621-0580 FAX: (86)512-6621-0685	SCALE	1/1	UNIT	MM

-D1-E42-P02 -



REVISIONS				
ISSUE	SYM	DATE	DRAFTER	CHECKER

NOTE:



**樹林企業股份有限公司**

TAIWAN SHULIN ENTERPRISE CO., LTD

WEB: [www.bobbin.com.tw](http://www.bobbin.com.tw)

e-mail: [shulin@bobbin.com.tw](mailto:shulin@bobbin.com.tw)

(TAIWAN TAIPEI) TEL: (886)2-2223-1500 FAX: (886)2-2222-4646

(CHINA DONGGUAN) TEL: (86)769-7730-785 FAX: (86)769-7312-387

(CHINA SUZHOU) TEL: (86)512-6621-0580 FAX: (86)512-6621-0685

MODEL

TF-4203

MATERIAL

PBT

UL RATING

UL94V-0

TOLERANCE

PIN MATERIAL

CP WIRE

.X  $\pm 0.2$

EDITION

2.0

.XX  $\pm 0.15$

DATE

2002/8/15

PIN PITCH  $\pm 0.1$

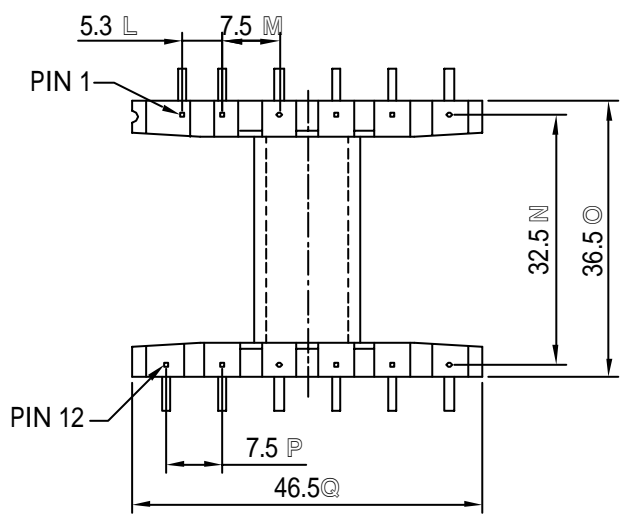
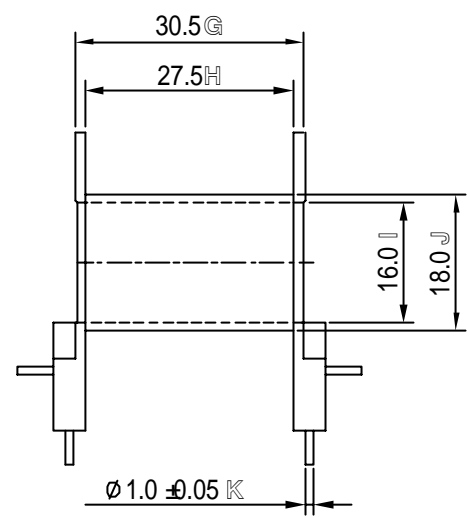
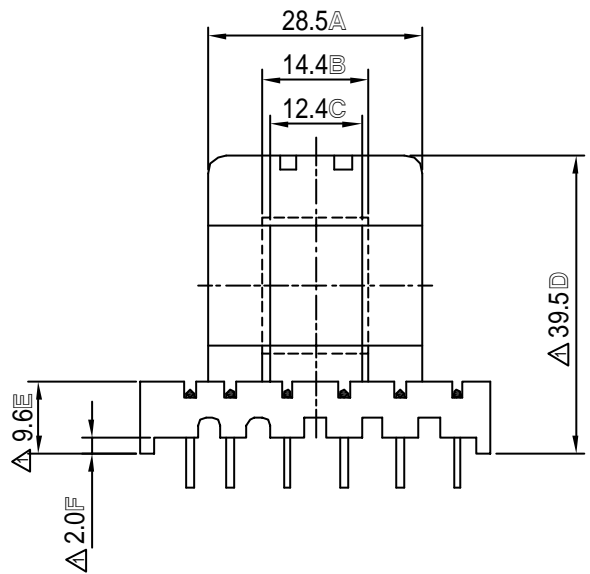
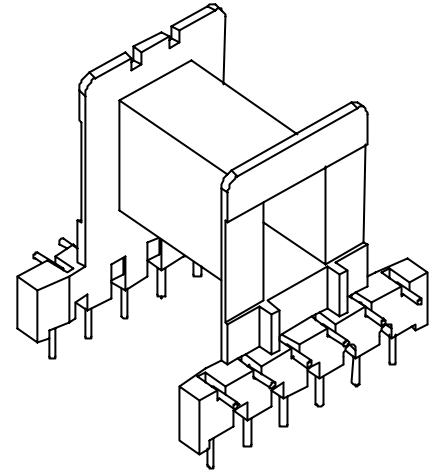
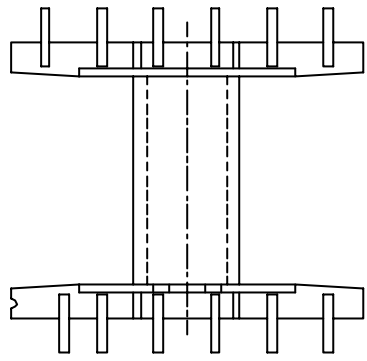
SCALE

1/1

UNIT

MM

-D1-E42-P03 -

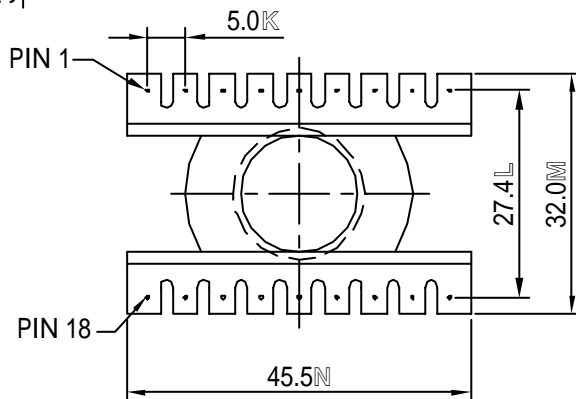
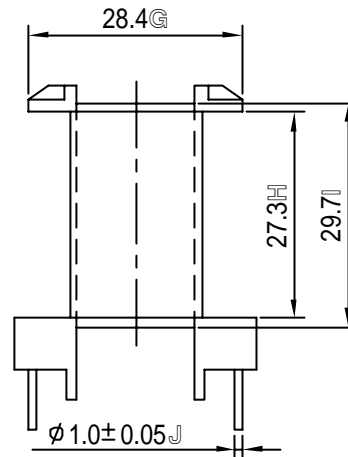
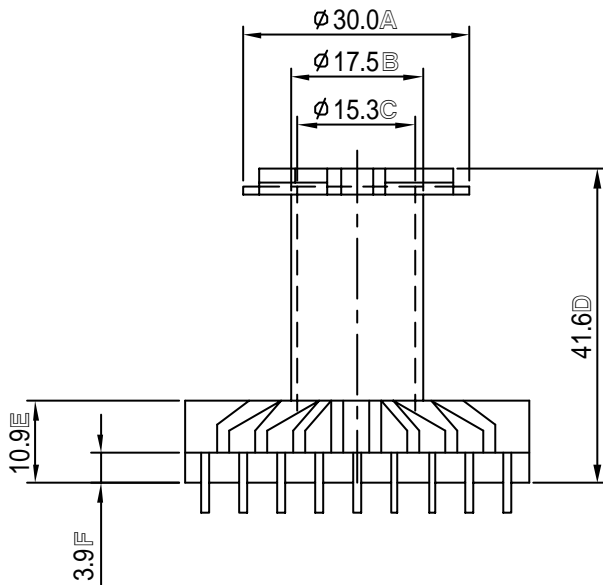
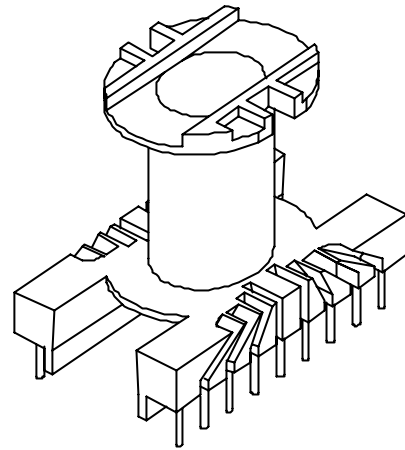
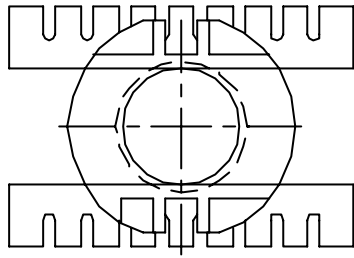


REVISIONS				
ISSUE	SYM	DATE	DRAFTER	CHECKER
1.	△	2003/2/17	LI HUA HONG	C.H.WANG

NOTE:

 <b>樹林企業股份有限公司</b> TAIWAN SHULIN ENTERPRISE CO., LTD	MODEL	TF-4203-1		
	MATERIAL	PBT		
WEB:www.bobbin.com.tw	UL RATING	UL94V-0	TOLERANCE .X ±0.2 .XX ±0.15 PIN PITCH ±0.1	
e-mail:shulin@bobbin.com.tw	PIN MATERIAL	CP WIRE		
(TAIWAN TAIPEI) TEL:(886)2-2223-1500 FAX:(886)2-2222-4646	EDITION	2.0A		
(CHINA DONGGUAN) TEL:(86)769-7730-785 FAX:(86)769-7312-387	DATE	2003/2/17	UNIT	MM
(CHINA SUZHOU) TEL:(86)512-6621-0580 FAX:(86)512-6621-0685	SCALE	1/1		

-D1-E42-P04 -



REVISIONS				
ISSUE	SYM	DATE	DRAFTER	CHECKER

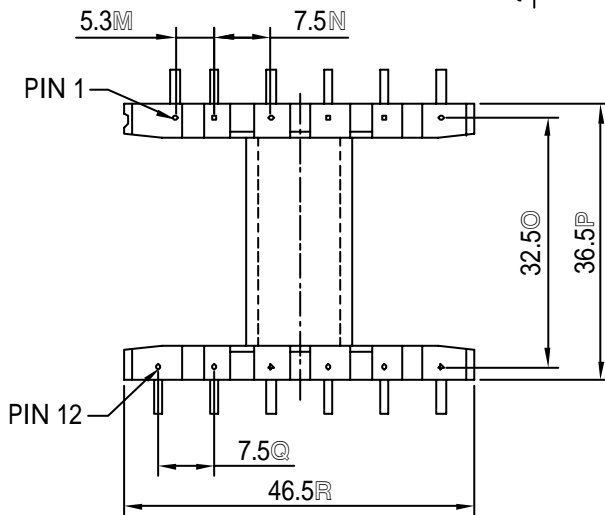
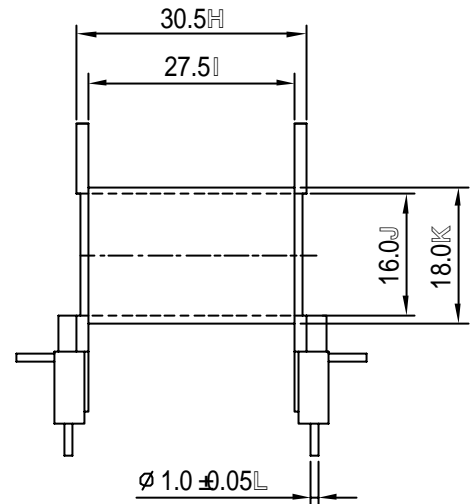
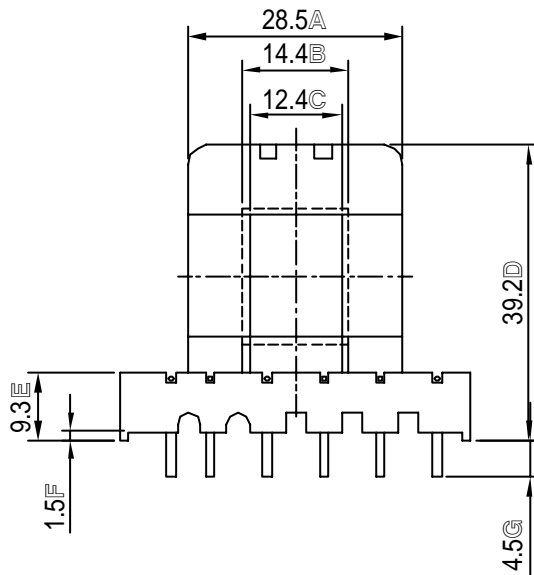
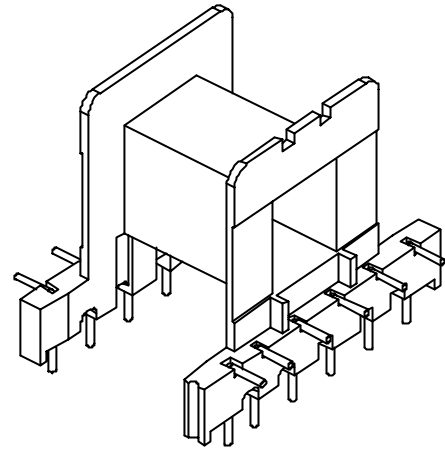
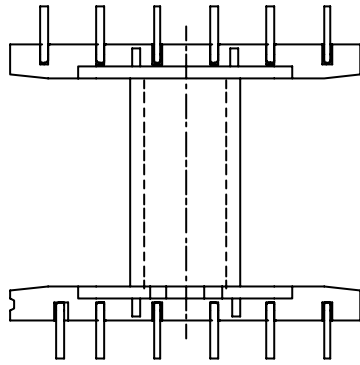
NOTE:


**樹林企業股份有限公司**  
 TAIWAN SHULIN ENTERPRISE CO., LTD

WEB: [www.bobbin.com.tw](http://www.bobbin.com.tw)  
 e-mail: [shulin@bobbin.com.tw](mailto:shulin@bobbin.com.tw)  
 (TAIWAN TAIPEI) TEL: (886)2-2223-1500 FAX: (886)2-2222-4646  
 (CHINA DONGGUAN) TEL: (86)769-7730-785 FAX: (86)769-7312-387  
 (CHINA SUZHOU) TEL: (86)512-6621-0580 FAX: (86)512-6621-0685

MODEL		TF-4204	
MATERIAL		PHENOLIC	
UL RATING	UL94V-0	TOLERANCE .X $\pm 0.2$ .XX $\pm 0.15$ PIN PITCH $\pm 0.1$	
PIN MATERIAL	CP WIRE		
EDITION	2.0		
DATE	2002/8/15	UNIT	MM
SCALE	1/1		

-D2-ER42-P01 -

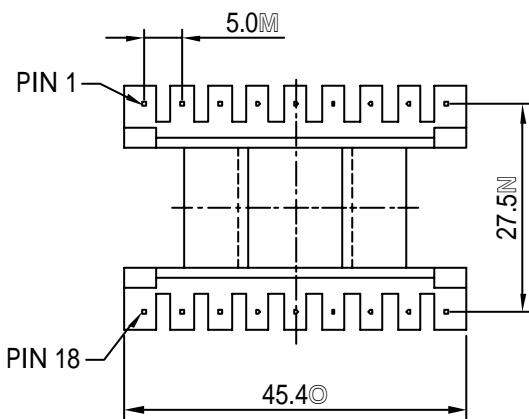
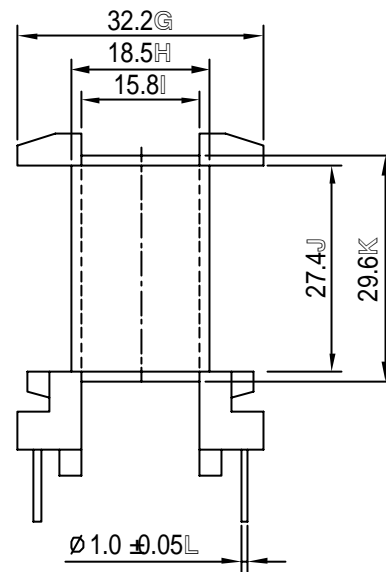
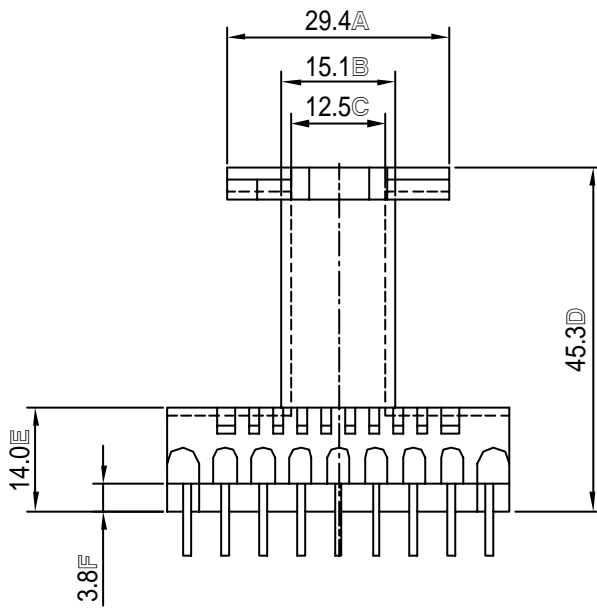
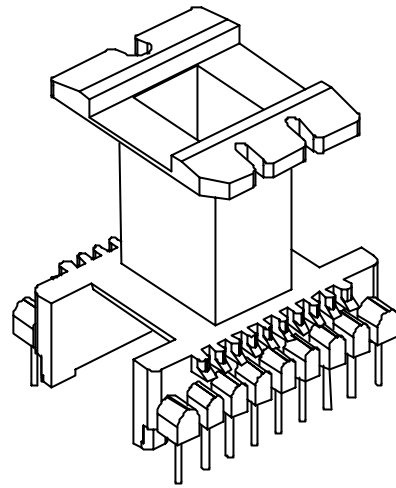
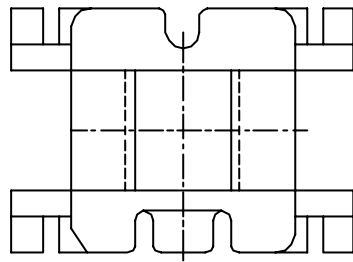


REVISIONS				
ISSUE	SYM	DATE	DRAFTER	CHECKER

NOTE:

 <b>樹林企業股份有限公司</b> TAIWAN SHULIN ENTERPRISE CO., LTD	MODEL	TF-4205		
	MATERIAL	PBT		
WEB:www.bobbin.com.tw	UL RATING	UL94V-0	TOLERANCE .X $\pm 0.2$ .XX $\pm 0.15$ PIN PITCH $\pm 0.1$	
e-mail:shulin@bobbin.com.tw	PIN MATERIAL	CP WIRE		
(TAIWAN TAIPEI) TEL:(886)2-2223-1500 FAX:(886)2-2222-4646	EDITION	2.0		
(CHINA DONGGUAN) TEL:(86)769-7730-785 FAX:(86)769-7312-387	DATE	2002/8/15		
(CHINA SUZHOU) TEL:(86)512-6621-0580 FAX:(86)512-6621-0685	SCALE	1/1	UNIT	MM

-D1-E42-P05 -

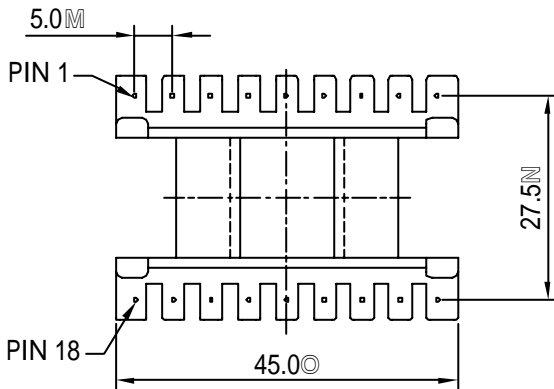
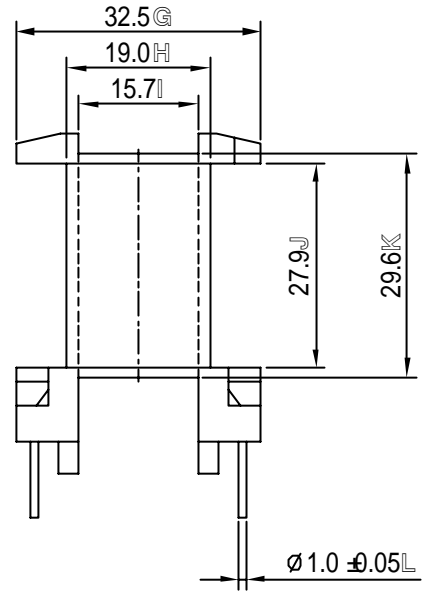
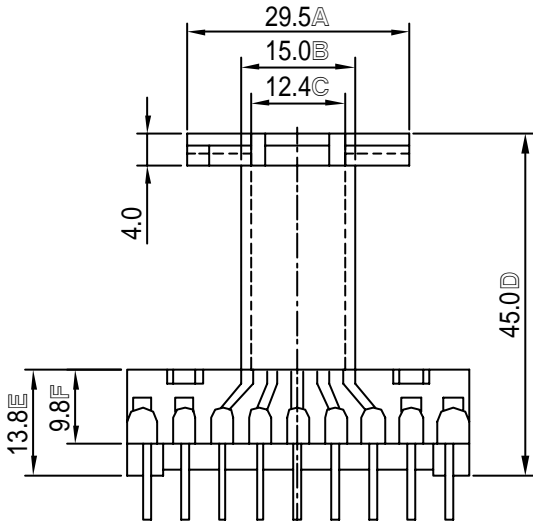
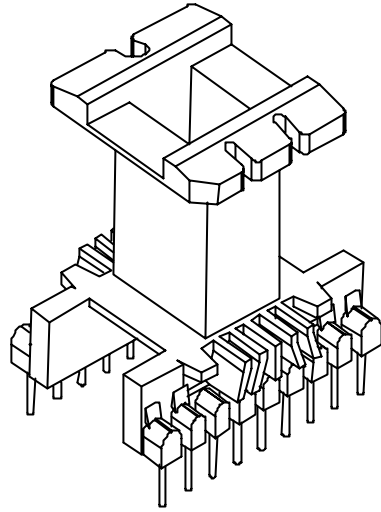
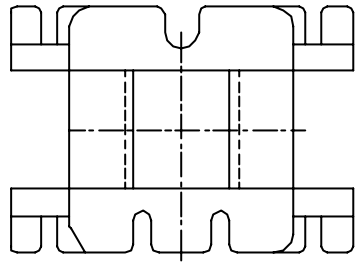


REVISIONS				
ISSUE	SYM	DATE	DRAFTER	CHECKER
NOTE:				

 <b>樹林企業股份有限公司</b> TAIWAN SHULIN ENTERPRISE CO., LTD	MODEL		TF-4206	
	MATERIAL		PHENOLIC	
WEB: www.bobbin.com.tw	UL RATING	UL94V-0	TOLERANCE .X $\pm 0.2$ .XX $\pm 0.15$ PIN PITCH $\pm 0.1$	
e-mail: shulin@bobbin.com.tw	PIN MATERIAL	CP WIRE		
(TAIWAN TAIPEI) TEL: (886)2-2223-1500 FAX: (886)2-2222-4646	EDITION	2.0		
(CHINA DONGGUAN) TEL: (86)769-7730-785 FAX: (86)769-7312-387	DATE	2002/8/15	UNIT	MM
(CHINA SUZHOU) TEL: (86)512-6621-0580 FAX: (86)512-6621-0685	SCALE	1/1		

-D1-E42-P06 -





REVISIONS				
ISSUE	SYM	DATE	DRAFTER	CHECKER

NOTE:



樹林企業股份有限公司

TAIWAN SHULIN ENTERPRISE CO., LTD

WEB: www.bobbin.com.tw

e-mail: shulin@bobbin.com.tw

(TAIWAN TAIPEI) TEL: (886)2-2223-1500 FAX: (886)2-2222-4646

(CHINA DONGGUAN) TEL: (86)769-7730-785 FAX: (86)769-7312-387

(CHINA SUZHOU) TEL: (86)512-6621-0580 FAX: (86)512-6621-0685

MODEL

TF-4206-1

MATERIAL

PHENOLIC

UL RATING

UL94V-0

PIN MATERIAL

CP WIRE

EDITION

2.0

DATE

2002/8/15

SCALE

1/1

TOLERANCE

.X  $\pm 0.2$

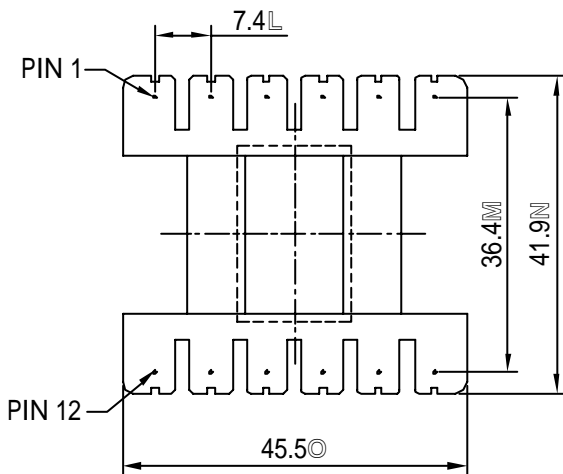
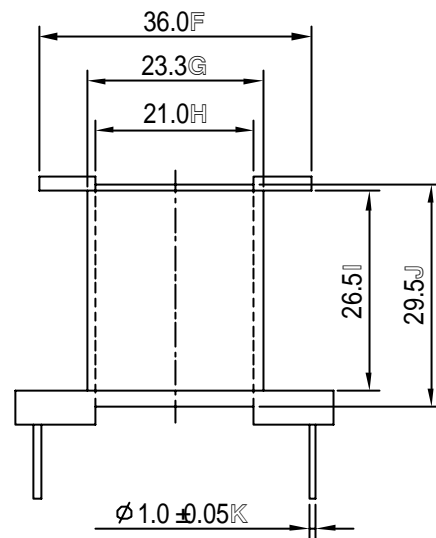
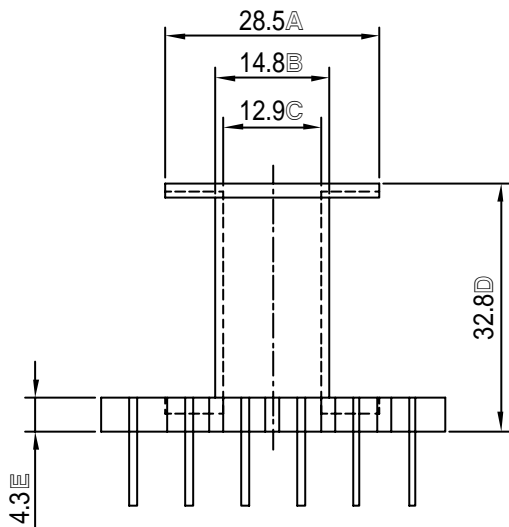
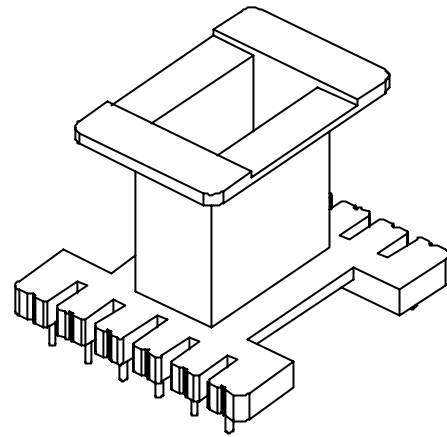
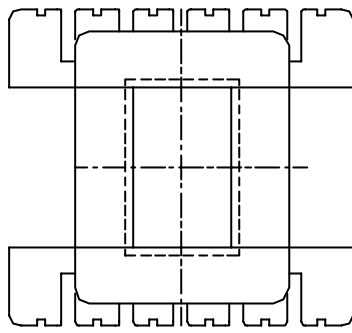
.XX  $\pm 0.15$

PIN PITCH  $\pm 0.1$

UNIT

MM

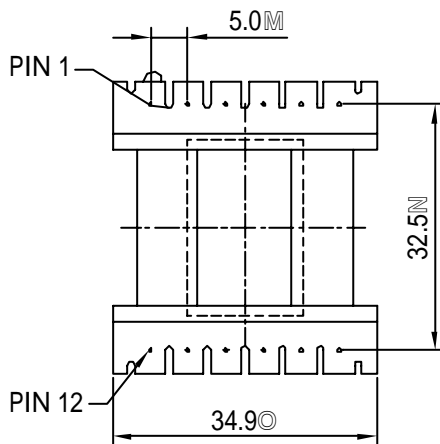
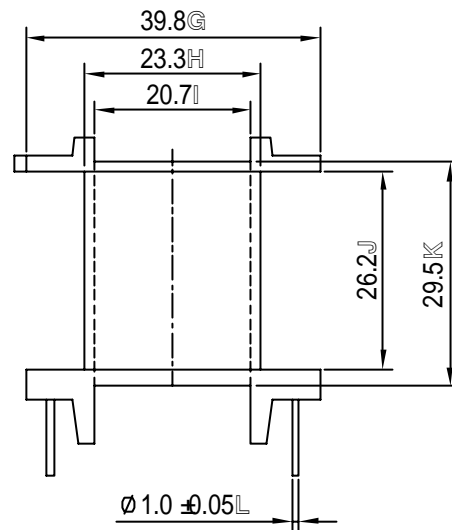
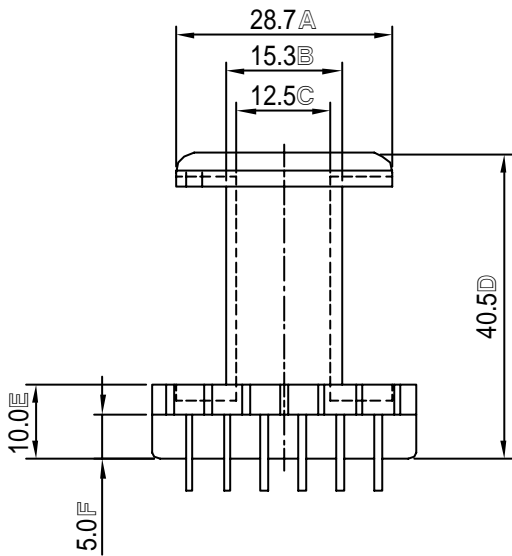
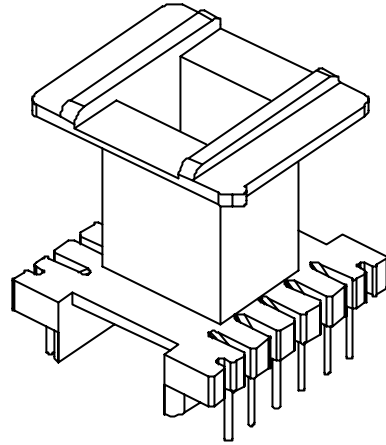
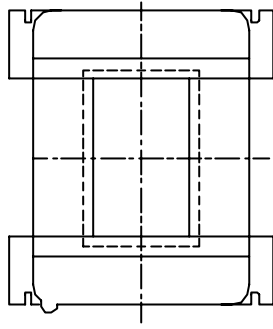
-D1-E42-P07 -



REVISIONS				
ISSUE	SYM	DATE	DRAFTER	CHECKER
NOTE:				

 <b>樹林企業股份有限公司</b> TAIWAN SHULIN ENTERPRISE CO., LTD	MODEL	TF-4210		
	MATERIAL	PHENOLIC		
WEB: www.bobbin.com.tw	UL RATING	UL94V-0	TOLERANCE .X $\pm 0.2$ .XX $\pm 0.15$ PIN PITCH $\pm 0.1$	
e-mail: shulin@bobbin.com.tw	PIN MATERIAL	CP WIRE		
(TAIWAN TAIPEI) TEL: (886)2-2223-1500 FAX: (886)2-2222-4646	EDITION	2.0		
(CHINA DONGGUAN) TEL: (86)769-7730-785 FAX: (86)769-7312-387	DATE	2002/8/15	UNIT	MM
(CHINA SUZHOU) TEL: (86)512-6621-0580 FAX: (86)512-6621-0685	SCALE	1/1		

-D1-E42-P08 -

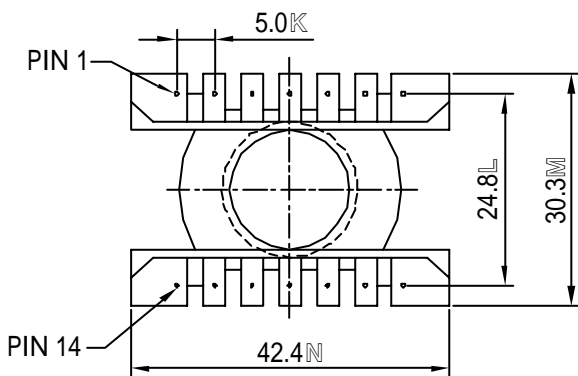
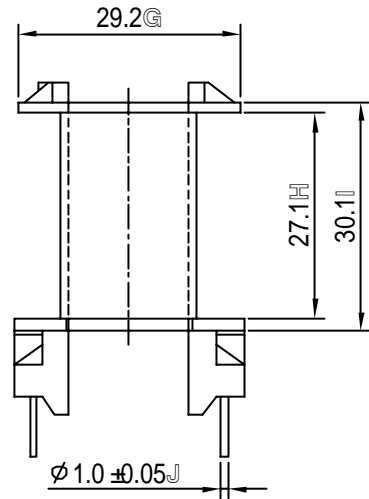
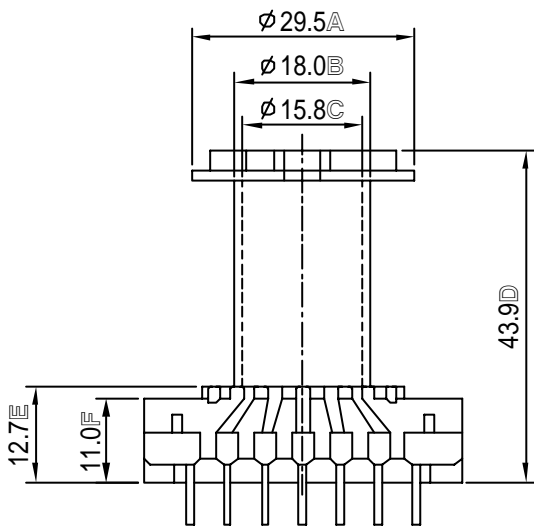
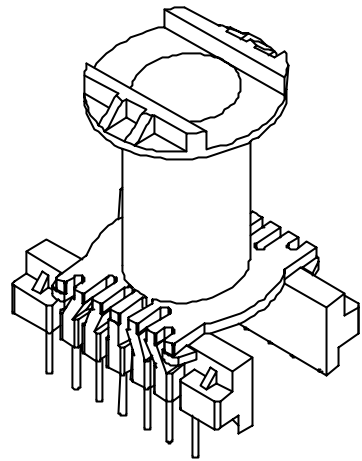
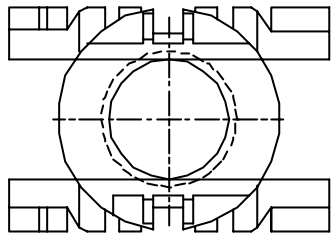


REVISIONS				
ISSUE	SYM	DATE	DRAFTER	CHECKER

NOTE:

 <b>樹林企業股份有限公司</b> TAIWAN SHULIN ENTERPRISE CO., LTD	MODEL		TF-4211	
	MATERIAL		PHENOLIC	
WEB: www.bobbin.com.tw	UL RATING	UL94V-0	TOLERANCE .X $\pm 0.2$ .XX $\pm 0.15$ PIN PITCH $\pm 0.1$	
e-mail: shulin@bobbin.com.tw	PIN MATERIAL	CP WIRE		
(TAIWAN TAIPEI) TEL: (886)2-2223-1500 FAX: (886)2-2222-4646	EDITION	2.0		
(CHINA DONGGUAN) TEL: (86)769-7730-785 FAX: (86)769-7312-387	DATE	2002/8/15	UNIT	MM
(CHINA SUZHOU) TEL: (86)512-6621-0580 FAX: (86)512-6621-0685	SCALE	1/1		

-D1-E42-P09 -



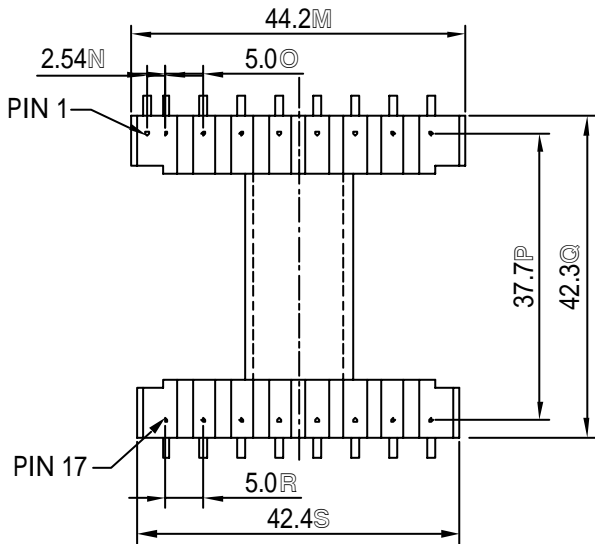
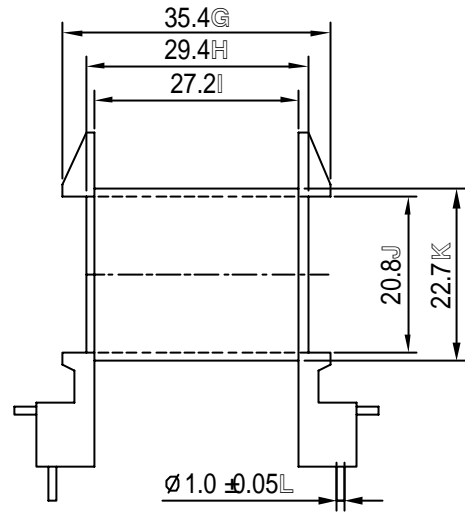
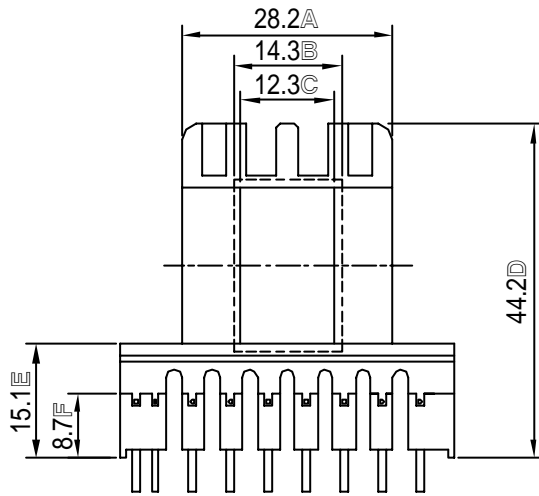
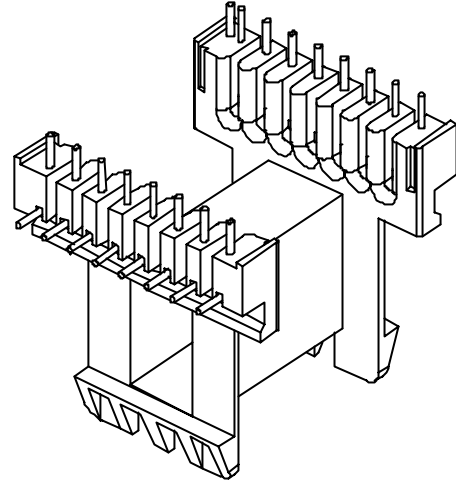
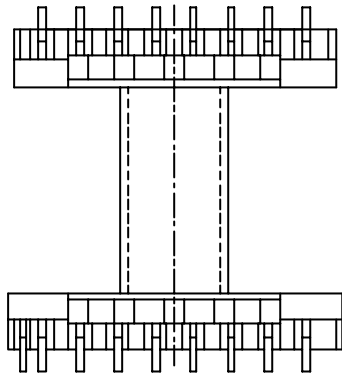
REVISIONS				
ISSUE	SYM	DATE	DRAFTER	CHECKER

NOTE:


**樹林企業股份有限公司**  
 TAIWAN SHULIN ENTERPRISE CO., LTD

WEB: <a href="http://www.bobbin.com.tw">www.bobbin.com.tw</a> e-mail: <a href="mailto:shulin@bobbin.com.tw">shulin@bobbin.com.tw</a> (TAIWAN TAIPEI) TEL: (886)2-2223-1500 FAX: (886)2-2222-4646 (CHINA DONGGUAN) TEL: (86)769-7730-785 FAX: (86)769-7312-387 (CHINA SUZHOU) TEL: (86)512-6621-0580 FAX: (86)512-6621-0685	MODEL MATERIAL UL RATING PIN MATERIAL EDITION DATE SCALE	TF-4213 PHENOLIC UL94V-0 CP WIRE 2.0 2002/8/15 1/1	TOLERANCE .X $\pm 0.2$ .XX $\pm 0.15$ PIN PITCH $\pm 0.1$ UNIT MM
--	--	--	--

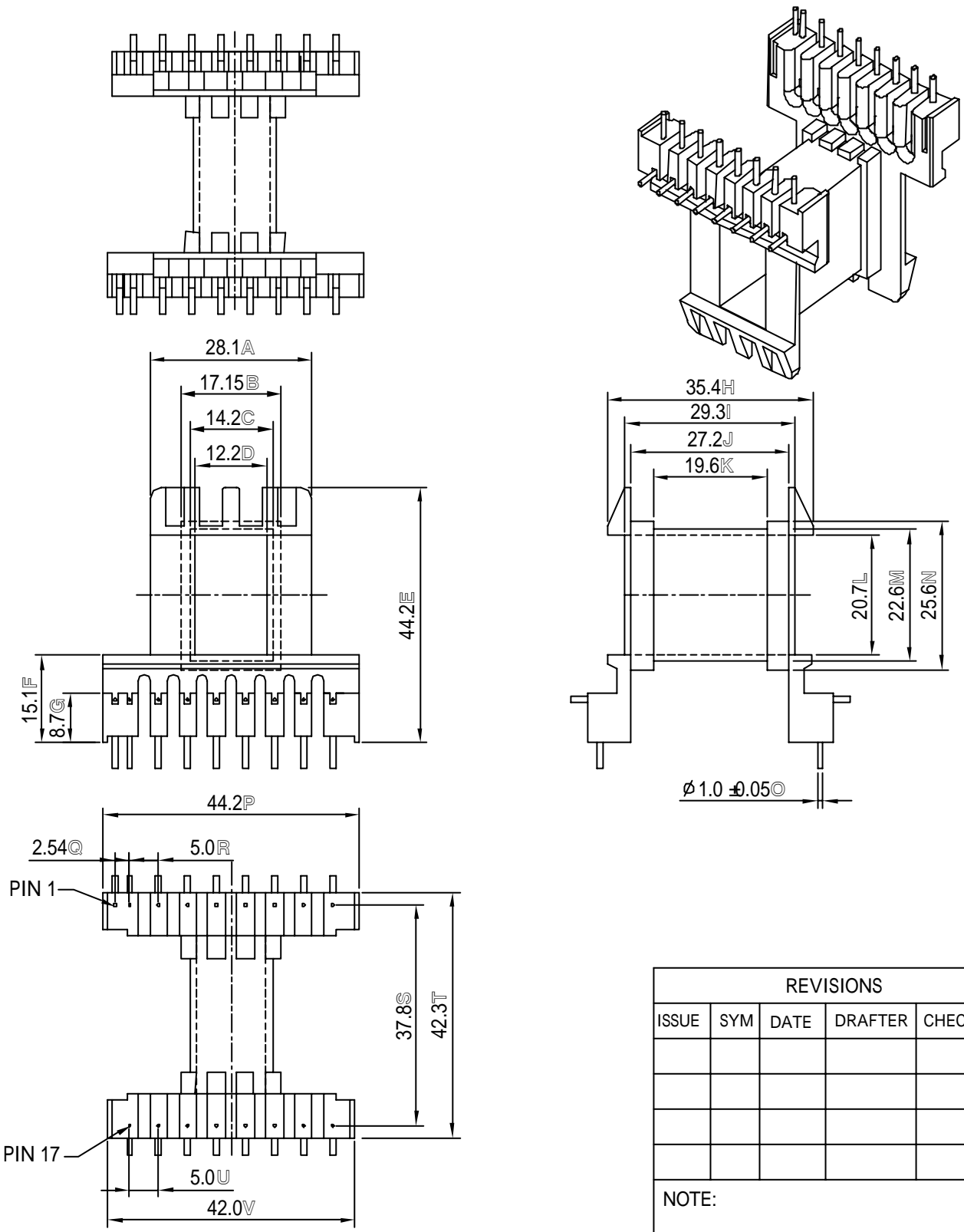
-D2-ER42-P02 -



REVISIONS				
ISSUE	SYM	DATE	DRAFTER	CHECKER
NOTE:				

 <b>樹林企業股份有限公司</b> TAIWAN SHULIN ENTERPRISE CO., LTD	MODEL	TF-4216		
	MATERIAL	PBT		
WEB:www.bobbin.com.tw	UL RATING	UL94V-0	TOLERANCE .X $\pm 0.2$ .XX $\pm 0.15$ PIN PITCH $\pm 0.1$	
e-mail:shulin@bobbin.com.tw	PIN MATERIAL	CP WIRE		
(TAIWAN TAIPEI) TEL:(886)2-2223-1500 FAX:(886)2-2222-4646	EDITION	2.0		
(CHINA DONGGUAN) TEL:(86)769-7730-785 FAX:(86)769-7312-387	DATE	2002/8/15		
(CHINA SUZHOU) TEL:(86)512-6621-0580 FAX:(86)512-6621-0685	SCALE	1/1	UNIT	MM

-D1-E42-P10 -

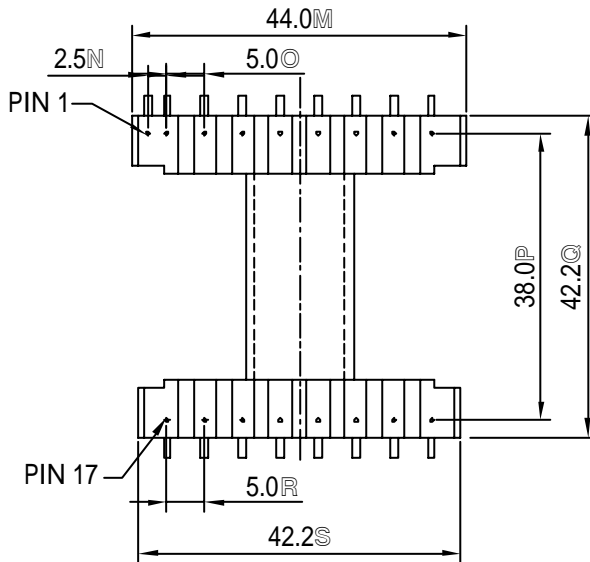
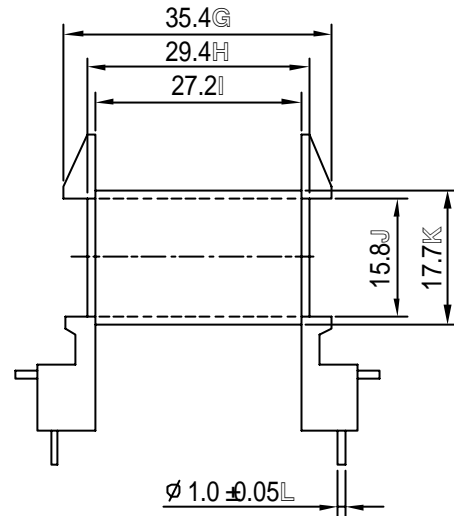
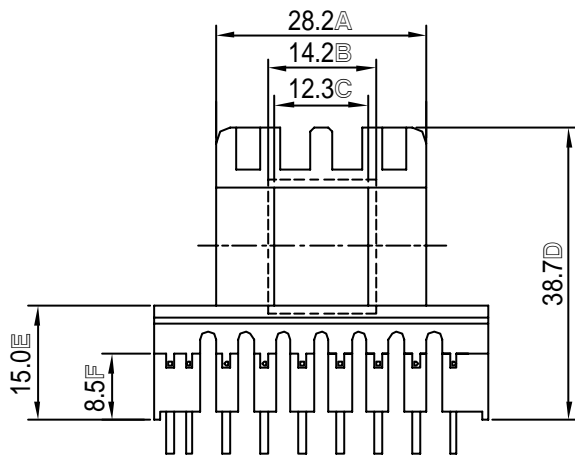
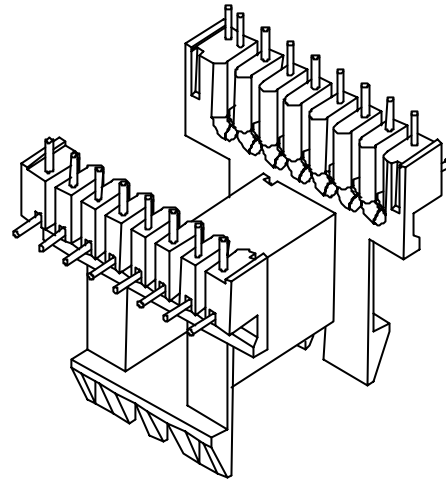
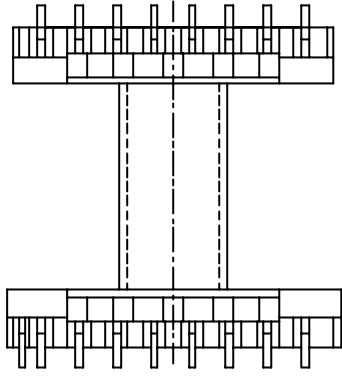


REVISIONS				
ISSUE	SYM	DATE	DRAFTER	CHECKER

NOTE:

 <b>樹林企業股份有限公司</b> TAIWAN SHULIN ENTERPRISE CO., LTD	MODEL	TF-4216-1		
	MATERIAL	PBT		
WEB:www.bobbin.com.tw	UL RATING	UL94V-0	TOLERANCE .X ±0.2 .XX ±0.15 PIN PITCH ±0.1	
e-mail:shulin@bobbin.com.tw	PIN MATERIAL	CP WIRE		
(TAIWAN TAIPEI) TEL:(886)2-2223-1500 FAX:(886)2-2222-4646	EDITION	2.0		
(CHINA DONGGUAN) TEL:(86)769-7730-785 FAX:(86)769-7312-387	DATE	2002/8/15	UNIT	MM
(CHINA SUZHOU) TEL:(86)512-6621-0580 FAX:(86)512-6621-0685	SCALE	1/1		

-D1-E42-P11 -

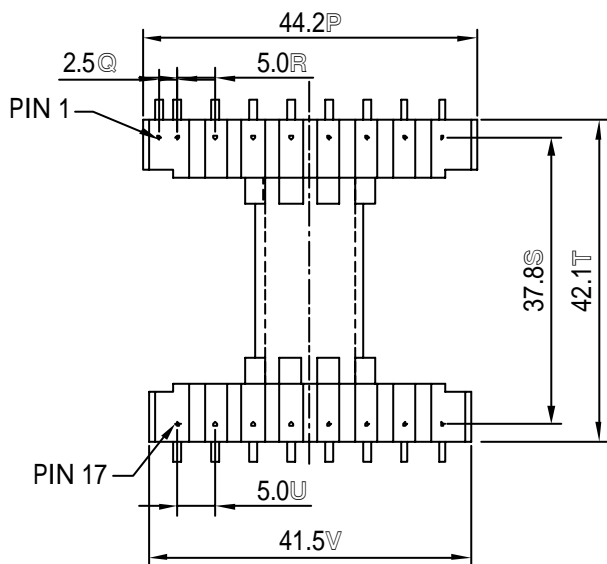
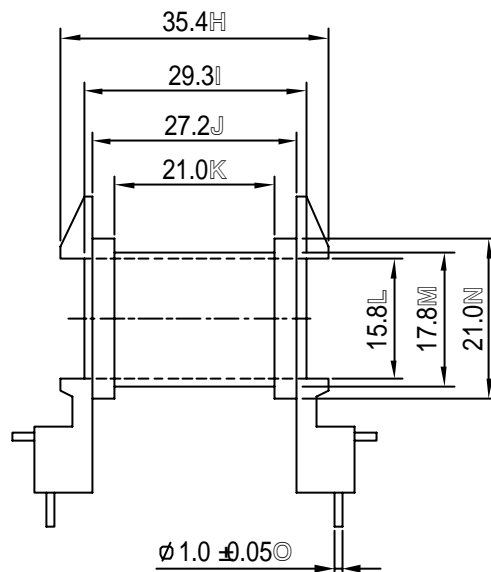
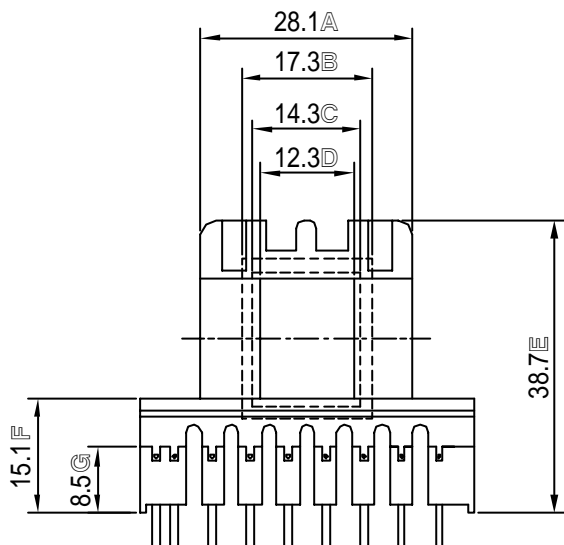
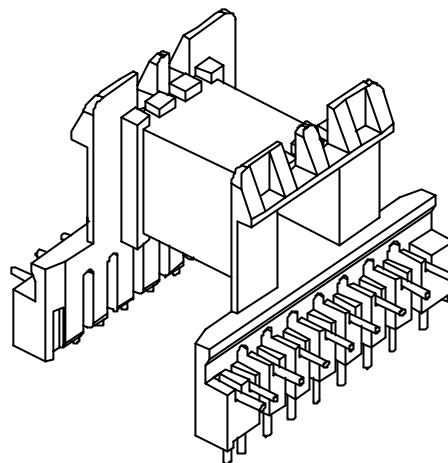
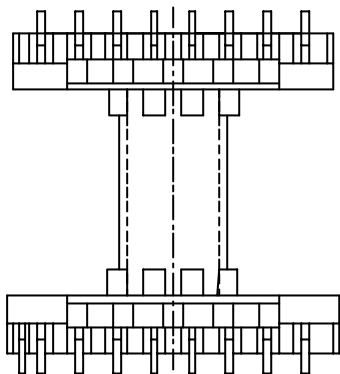


REVISIONS				
ISSUE	SYM	DATE	DRAFTER	CHECKER

NOTE:

 <b>樹林企業股份有限公司</b> TAIWAN SHULIN ENTERPRISE CO., LTD	MODEL	TF-4217		
	MATERIAL	PBT		
WEB: www.bobbin.com.tw	UL RATING	UL94V-0	TOLERANCE .X $\pm 0.2$ .XX $\pm 0.15$ PIN PITCH $\pm 0.1$	
e-mail: shulin@bobbin.com.tw	PIN MATERIAL	CP WIRE		
(TAIWAN TAIPEI) TEL: (886)2-2223-1500 FAX: (886)2-2222-4646	EDITION	2.0		
(CHINA DONGGUAN) TEL: (86)769-7730-785 FAX: (86)769-7312-387	DATE	2002/8/15	UNIT	MM
(CHINA SUZHOU) TEL: (86)512-6621-0580 FAX: (86)512-6621-0685	SCALE	1/1		

-D1-E42-P12 -



REVISIONS				
ISSUE	SYM	DATE	DRAFTER	CHECKER

NOTE:



**樹林企業股份有限公司**  
TAIWAN SHULIN ENTERPRISE CO., LTD

WEB: www.bobbin.com.tw

e-mail: shulin@bobbin.com.tw

(TAIWAN TAIPEI) TEL: (886)2-2223-1500 FAX: (886)2-2222-4646

(CHINA DONGGUAN) TEL: (86)769-7730-785 FAX: (86)769-7312-387

(CHINA SUZHOU) TEL: (86)512-6621-0580 FAX: (86)512-6621-0685

MODEL

TF-4217-1

MATERIAL

PBT

UL RATING

UL94V-0

TOLERANCE

PIN MATERIAL

CP WIRE

.X  $\pm 0.2$

.XX  $\pm 0.15$

EDITION

2.0

PIN PITCH  $\pm 0.1$

DATE

2002/8/15

SCALE

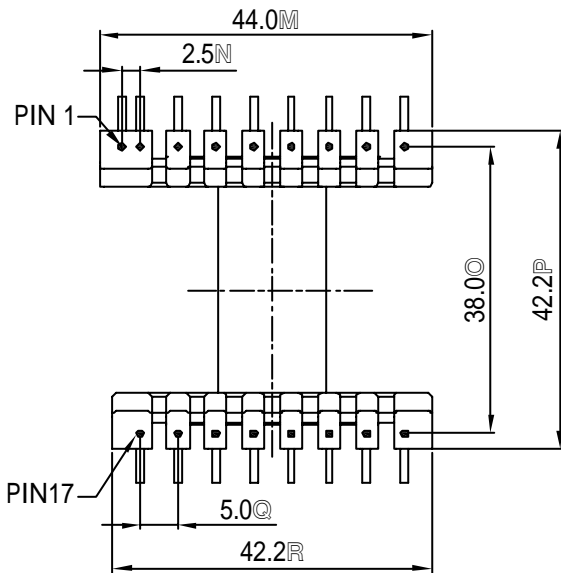
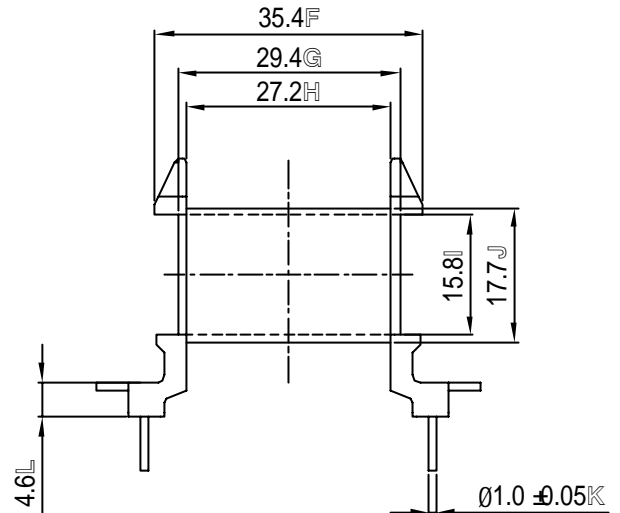
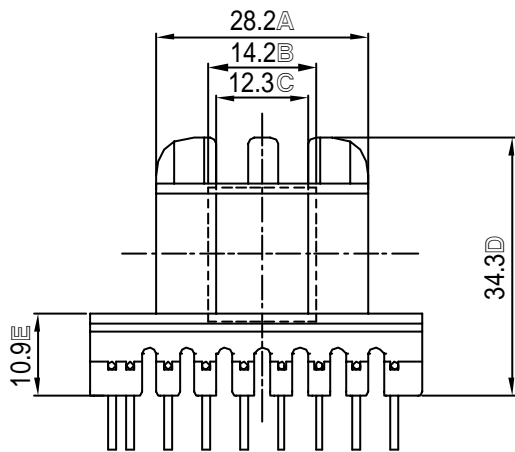
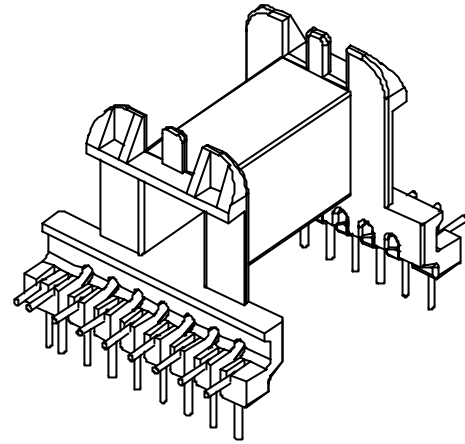
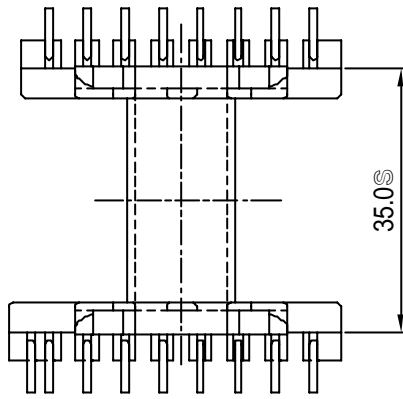
1/1

UNIT

MM

-D1-E42-P13 -

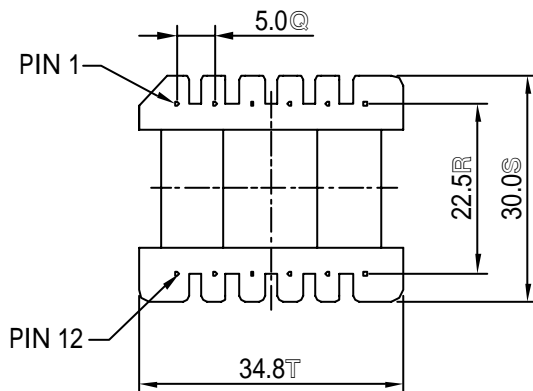
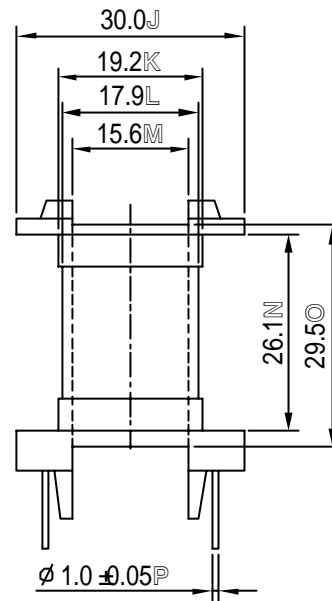
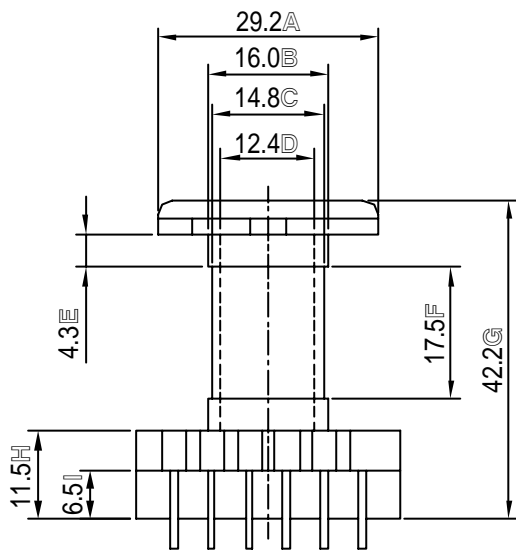
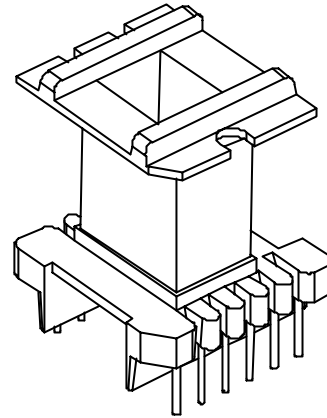
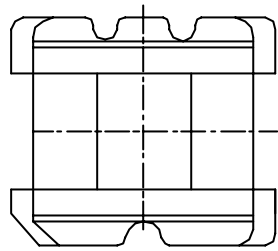




REVISIONS				
ISSUE	SYM	DATE	DRAFTER	CHECKER
NOTE:				

 <b>樹林企業股份有限公司</b> TAIWAN SHULIN ENTERPRISE CO., LTD	MODEL	TF-4217-2		
	MATERIAL	PBT		
WEB:www.bobbin.com.tw	UL RATING	UL94V-0	TOLERANCE	
e-mail:shulin@bobbin.com.tw	PIN MATERIAL	CP WIRE		
(TAIWAN TAIPEI) TEL:(886)2-2223-1500 FAX:(886)2-2222-4646	EDITION	1.0	.X ±0.2	
(CHINA DONGGUAN) TEL:(86)769-7730-785 FAX:(86)769-7312-387	DATE	2003/7/18	.XX ±0.15	
(CHINA SUZHOU) TEL:(86)512-6621-0580 FAX:(86)512-6621-0685	SCALE	1/1	PIN PITCH ±0.1	
			UNIT	MM

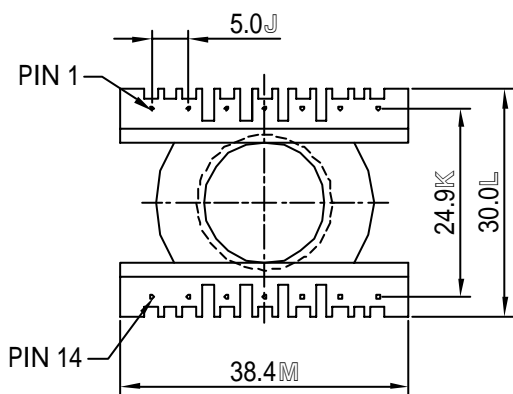
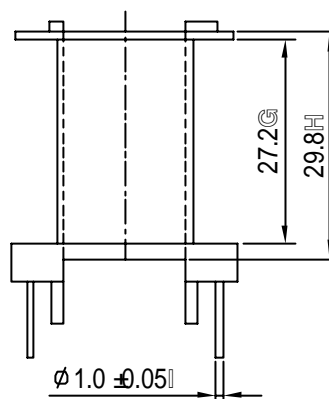
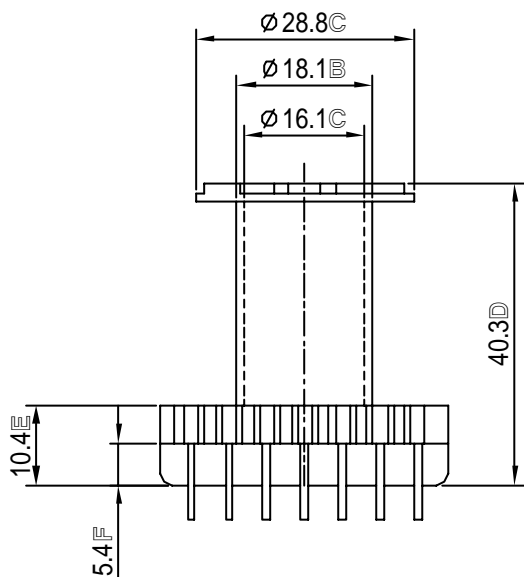
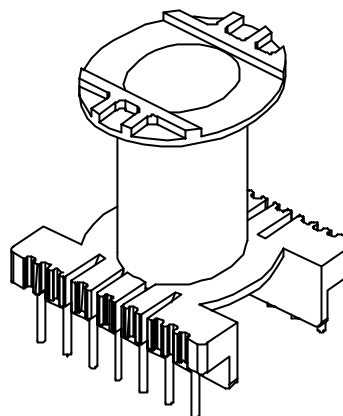
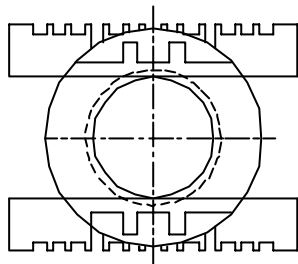
-D1-E42-P14 -



REVISIONS				
ISSUE	SYM	DATE	DRAFTER	CHECKER
NOTE:				

 <b>樹林企業股份有限公司</b> TAIWAN SHULIN ENTERPRISE CO., LTD	MODEL	TF-4223		
	MATERIAL	PHENOLIC		
WEB: www.bobbin.com.tw	UL RATING	UL94V-0	TOLERANCE .X ±0.2 .XX ±0.15 PIN PITCH ±0.1	
e-mail: shulin@bobbin.com.tw	PIN MATERIAL	CP WIRE		
(TAIWAN TAIPEI) TEL: (886)2-2223-1500 FAX: (886)2-2222-4646	EDITION	2.0		
(CHINA DONGGUAN) TEL: (86)769-7730-785 FAX: (86)769-7312-387	DATE	2002/8/15	UNIT	MM
(CHINA SUZHOU) TEL: (86)512-6621-0580 FAX: (86)512-6621-0685	SCALE	1/1		

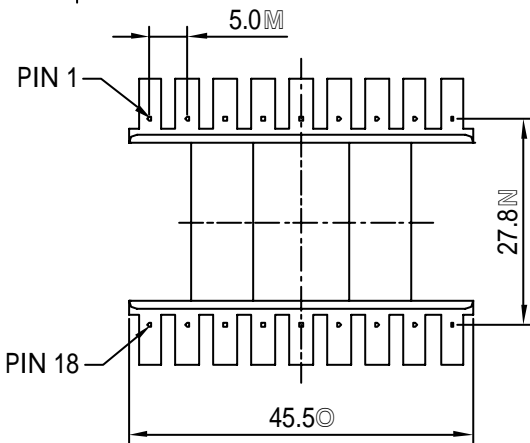
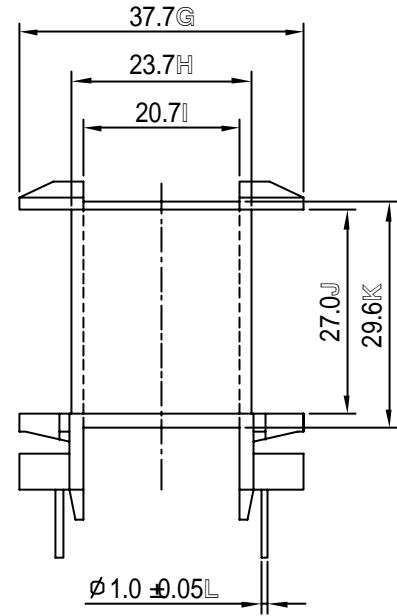
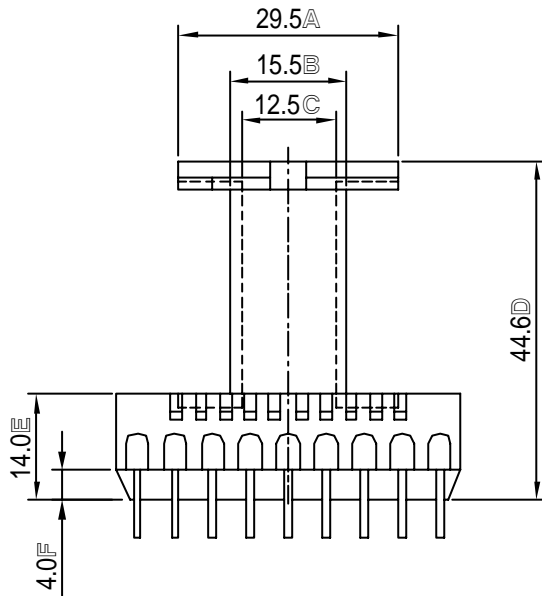
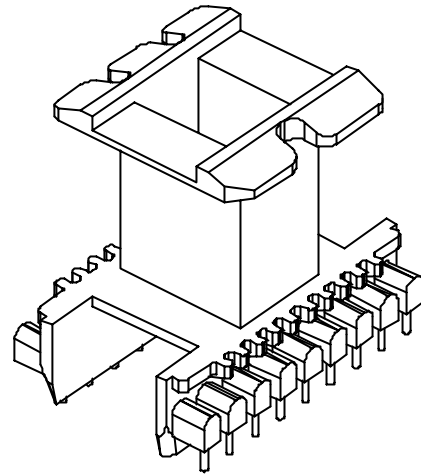
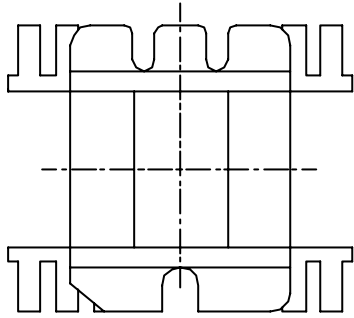
-D1-E42-P15 -



REVISIONS				
ISSUE	SYM	DATE	DRAFTER	CHECKER
NOTE:				

 <b>樹林企業股份有限公司</b> TAIWAN SHULIN ENTERPRISE CO., LTD	MODEL	TF-4224		
	MATERIAL	PHENOLIC		
WEB:www.bobbin.com.tw	UL RATING	UL94V-0	TOLERANCE .X $\pm 0.2$ .XX $\pm 0.15$ PIN PITCH $\pm 0.1$	
e-mail:shulin@bobbin.com.tw	PIN MATERIAL	CP WIRE		
(TAIWAN TAIPEI) TEL:(886)2-2223-1500 FAX:(886)2-2222-4646	EDITION	2.0		
(CHINA DONGGUAN) TEL:(86)769-7730-785 FAX:(86)769-7312-387	DATE	2002/8/15	UNIT	MM
(CHINA SUZHOU) TEL:(86)512-6621-0580 FAX:(86)512-6621-0685	SCALE	1/1		

-D2-ER42-P03 -



REVISIONS				
ISSUE	SYM	DATE	DRAFTER	CHECKER

NOTE:



樹林企業股份有限公司

TAIWAN SHULIN ENTERPRISE CO., LTD

WEB:www.bobbin.com.tw

e-mail:shulin@bobbin.com.tw

(TAIWAN TAIPEI) TEL:(886)2-2223-1500 FAX:(886)2-2222-4646

(CHINA DONGGUAN) TEL:(86)769-7730-785 FAX:(86)769-7312-387

(CHINA SUZHOU) TEL:(86)512-6621-0580 FAX:(86)512-6621-0685

MODEL

TF-4225

MATERIAL

PHENOLIC

UL RATING

UL94V-0

PIN MATERIAL

CP WIRE

EDITION

2.0

DATE

2002/8/15

SCALE

1/1

TOLERANCE

.X  $\pm 0.2$

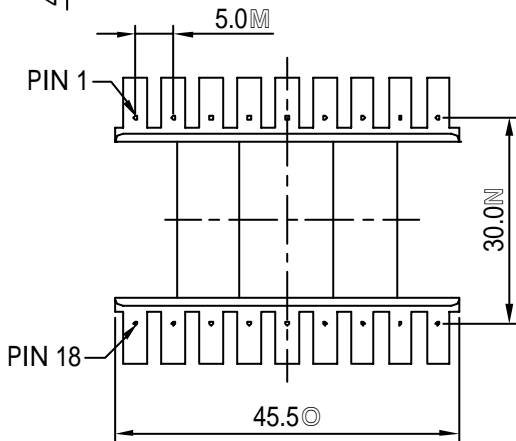
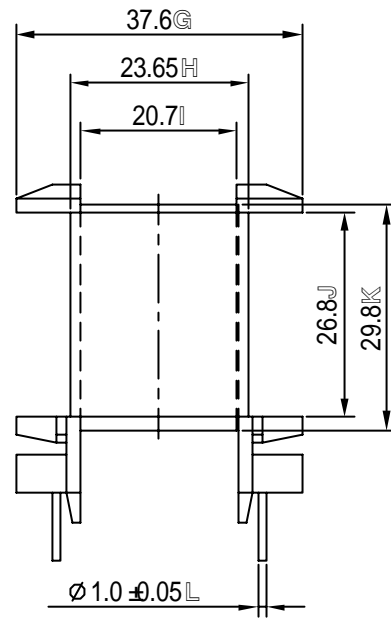
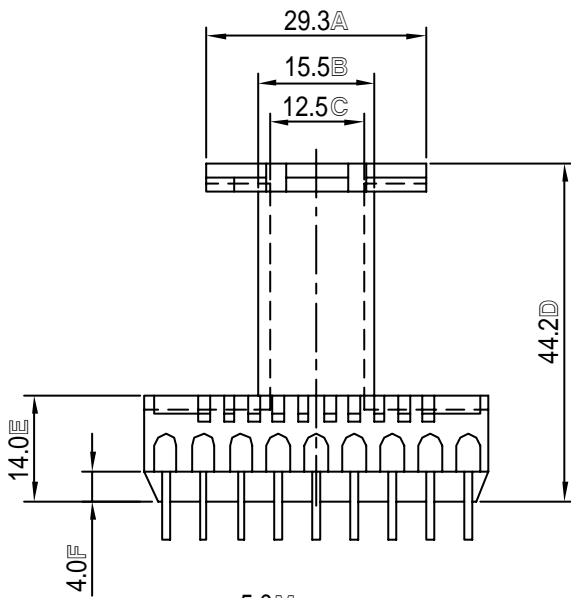
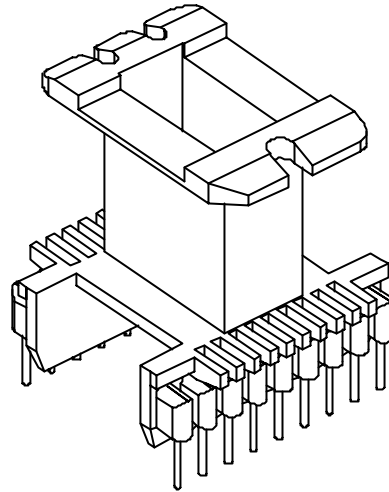
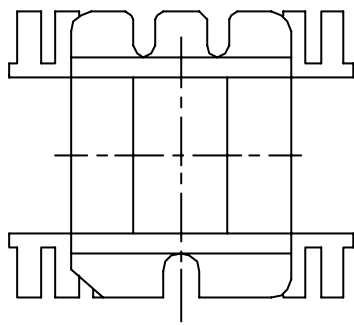
.XX  $\pm 0.15$

PIN PITCH  $\pm 0.1$

UNIT

MM

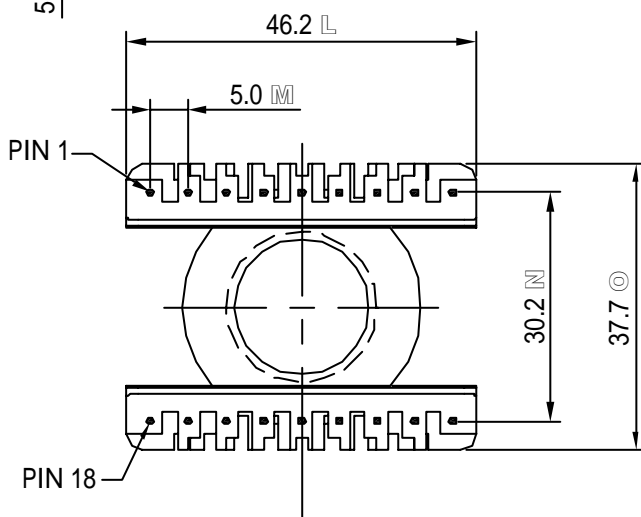
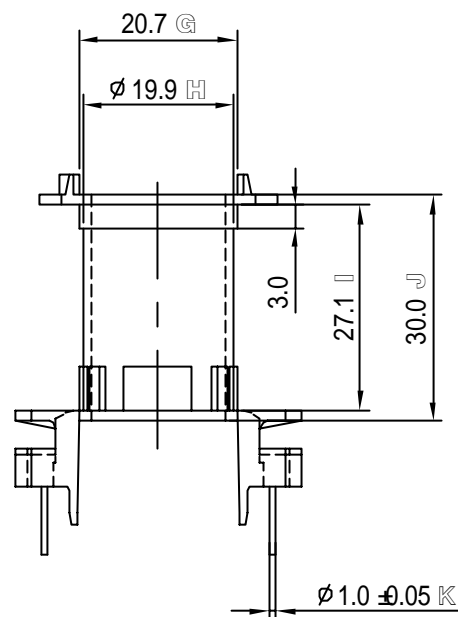
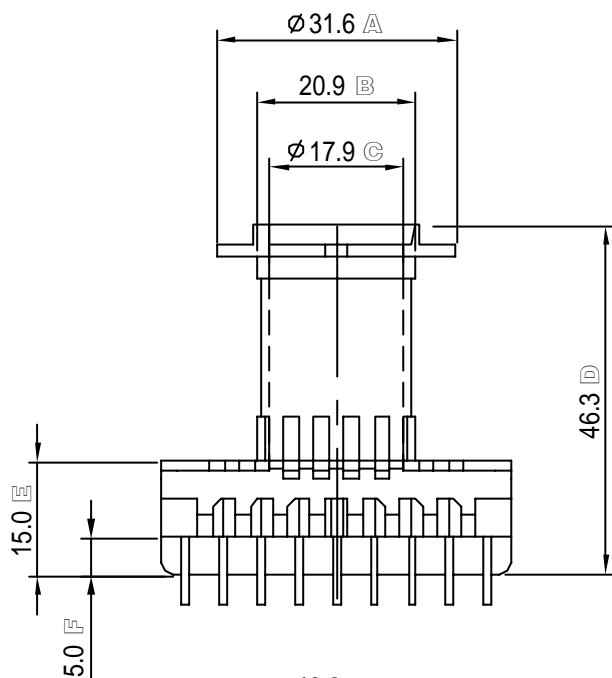
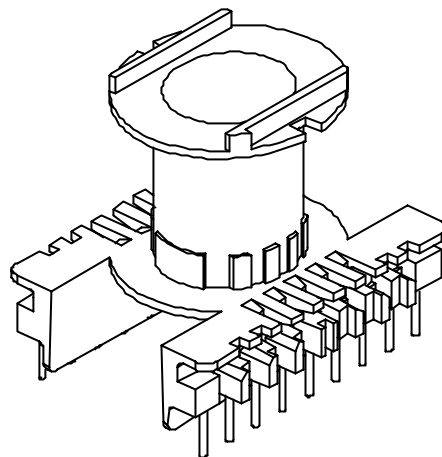
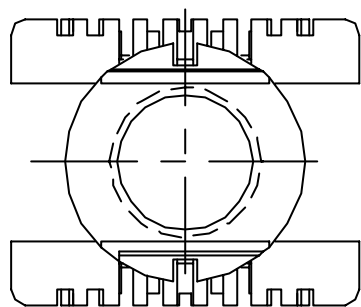
-D1-E42-P16 -



REVISIONS				
ISSUE	SYM	DATE	DRAFTER	CHECKER
NOTE:				

 <b>樹林企業股份有限公司</b> TAIWAN SHULIN ENTERPRISE CO., LTD	MODEL		TF-4225-3	
	MATERIAL		PHENOLIC	
WEB: www.bobbin.com.tw	UL RATING	UL94V-0	TOLERANCE .X $\pm 0.2$ .XX $\pm 0.15$ PIN PITCH $\pm 0.1$	
e-mail: shulin@bobbin.com.tw	PIN MATERIAL	CP WIRE		
(TAIWAN TAIPEI) TEL: (886)2-2223-1500 FAX: (886)2-2222-4646	EDITION	2.0		
(CHINA DONGGUAN) TEL: (86)769-7730-785 FAX: (86)769-7312-387	DATE	2002/8/15	UNIT	MM
(CHINA SUZHOU) TEL: (86)512-6621-0580 FAX: (86)512-6621-0685	SCALE	1/1		

-D1-E42-P17 -

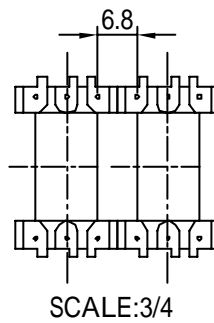
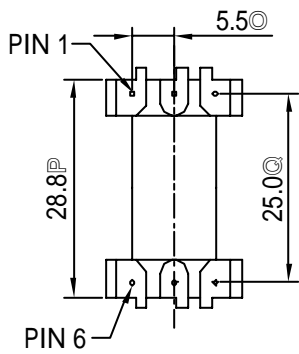
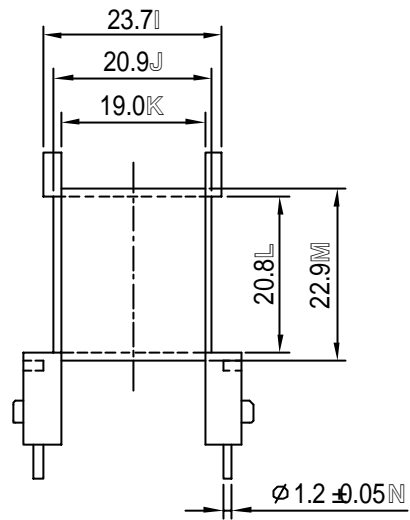
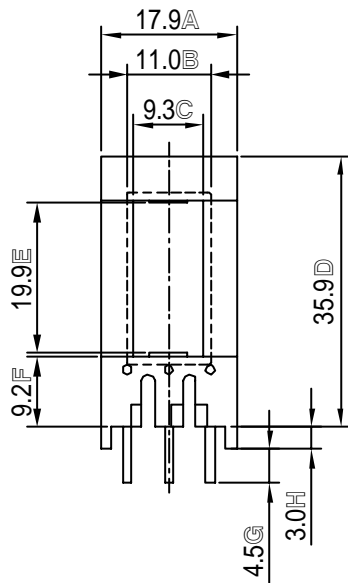
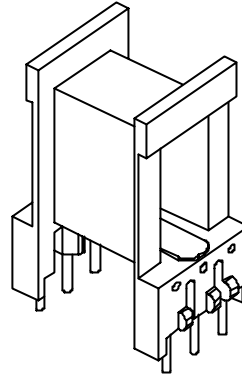
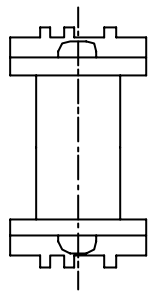


REVISIONS				
ISSUE	SYM	DATE	DRAFTER	CHECKER

NOTE:

 <b>樹林企業股份有限公司</b> TAIWAN SHULIN ENTERPRISE CO., LTD	MODEL		TF-4226	
	MATERIAL		PHENOLIC	
WEB: www.bobbin.com.tw	UL RATING	UL94V-0	TOLERANCE .X ±0.2 .XX ±0.15 PIN PITCH ±0.1	
e-mail: shulin@bobbin.com.tw	PIN MATERIAL	CP WIRE		
(TAIWAN TAIPEI) TEL: (886)2-2223-1500 FAX: (886)2-2222-4646	EDITION	2.0		
(CHINA DONGGUAN) TEL: (86)769-7730-785 FAX: (86)769-7312-387	DATE	2002/8/15	UNIT	MM
(CHINA SUZHOU) TEL: (86)512-6621-0580 FAX: (86)512-6621-0685	SCALE	1/1		

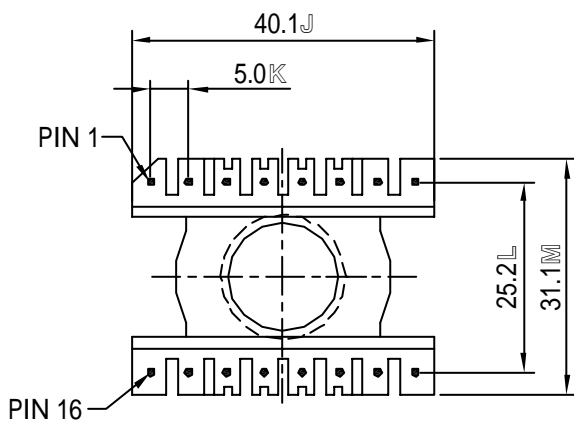
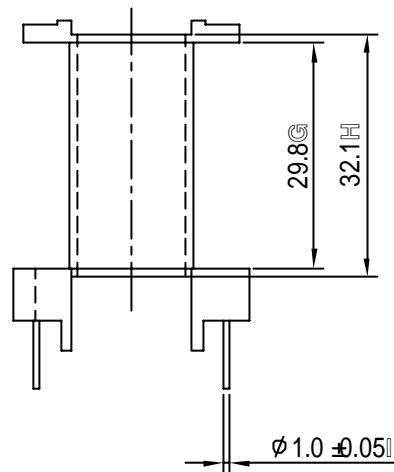
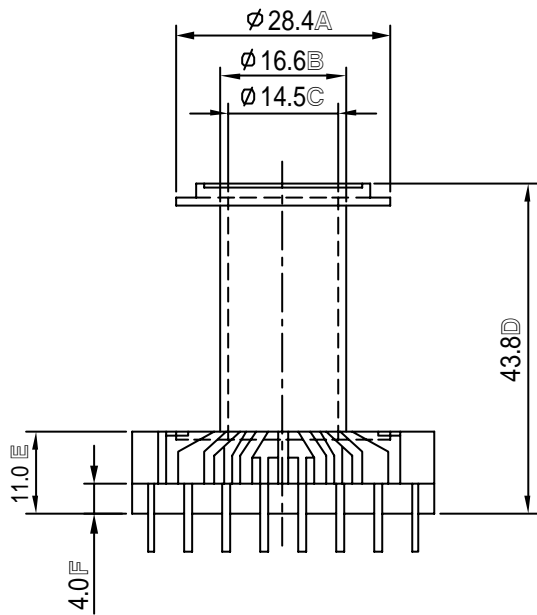
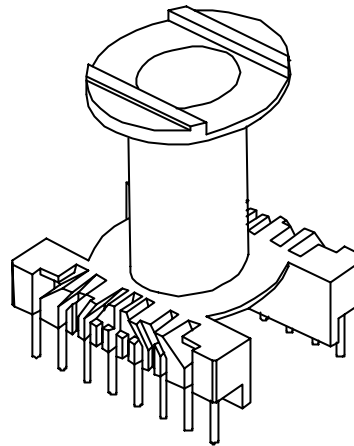
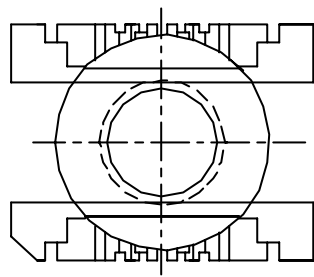
-D2-ER42-P04 -



REVISIONS				
ISSUE	SYM	DATE	DRAFTER	CHECKER
NOTE:				

 <b>樹林企業股份有限公司</b> TAIWAN SHULIN ENTERPRISE CO., LTD	MODEL	TF-4227		
	MATERIAL	PET		
WEB:www.bobbin.com.tw	UL RATING	UL94V-0	TOLERANCE .X $\pm 0.2$ .XX $\pm 0.15$ PIN PITCH $\pm 0.1$	
e-mail:shulin@bobbin.com.tw	PIN MATERIAL	CP WIRE		
(TAIWAN TAIPEI) TEL:(886)2-2223-1500 FAX:(886)2-2222-4646	EDITION	2.0		
(CHINA DONGGUAN) TEL:(86)769-7730-785 FAX:(86)769-7312-387	DATE	2002/8/15	UNIT	MM
(CHINA SUZHOU) TEL:(86)512-6621-0580 FAX:(86)512-6621-0685	SCALE	1/1		

-D2-ER42-P05 -

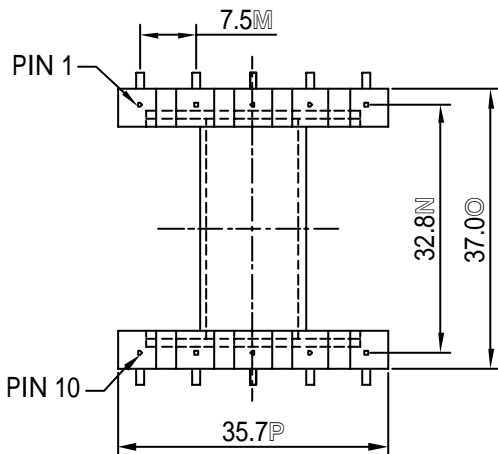
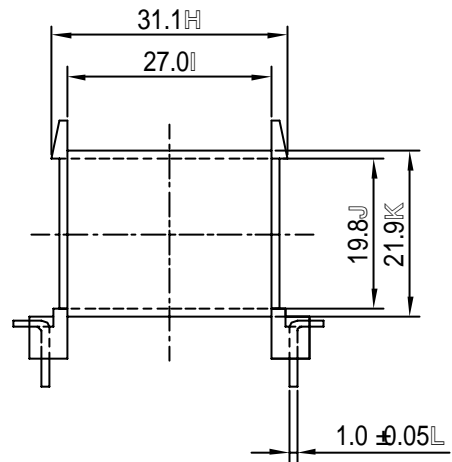
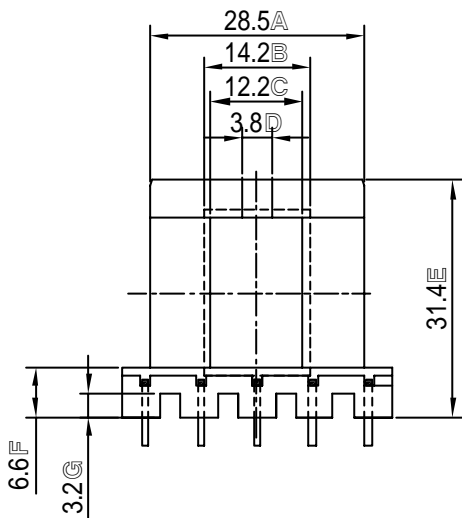
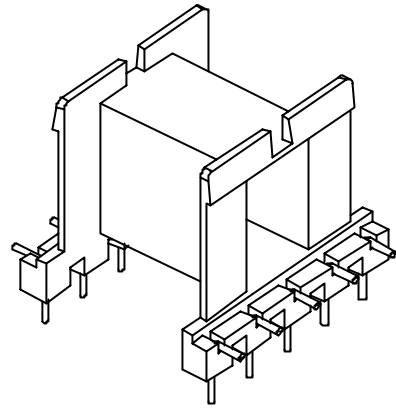
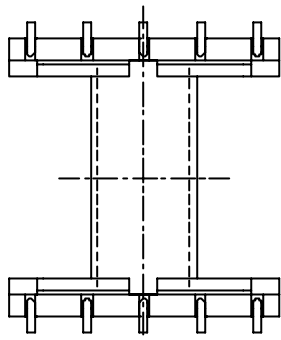


REVISIONS				
ISSUE	SYM	DATE	DRAFTER	CHECKER
NOTE:				

 <b>樹林企業股份有限公司</b> TAIWAN SHULIN ENTERPRISE CO., LTD	MODEL	TF-4228		
	MATERIAL	PHENOLIC		
WEB: <a href="http://www.bobbin.com.tw">www.bobbin.com.tw</a>	UL RATING	UL94V-0	TOLERANCE .X $\pm 0.2$ .XX $\pm 0.15$ PIN PITCH $\pm 0.1$	
e-mail: <a href="mailto:shulin@bobbin.com.tw">shulin@bobbin.com.tw</a>	PIN MATERIAL	CP WIRE		
(TAIWAN TAIPEI) TEL: (886)2-2223-1500 FAX: (886)2-2222-4646	EDITION	2.0		
(CHINA DONGGUAN) TEL: (86)769-7730-785 FAX: (86)769-7312-387	DATE	2002/8/15	UNIT	MM
(CHINA SUZHOU) TEL: (86)512-6621-0580 FAX: (86)512-6621-0685	SCALE	1/1		

-D2-ER42-P06 -



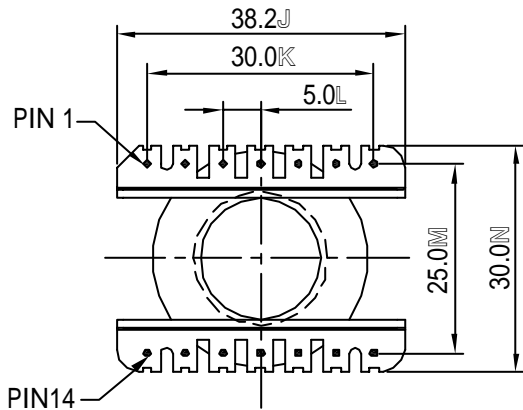
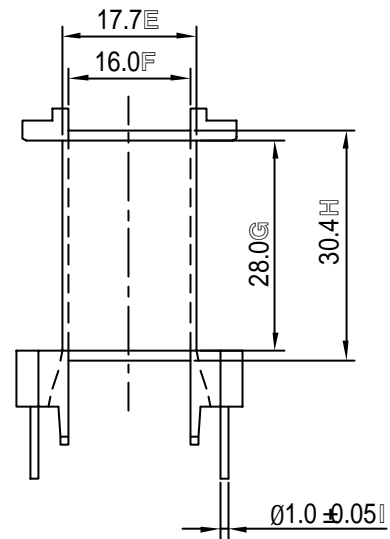
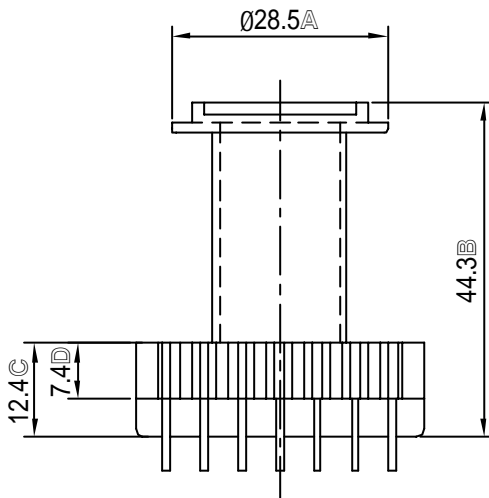
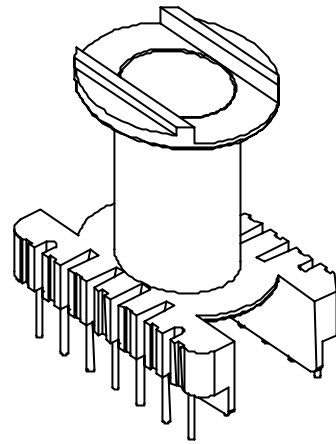
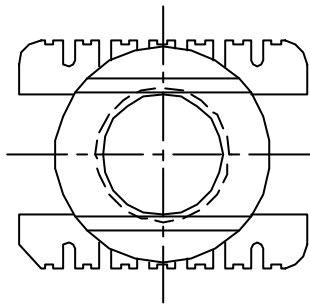


REVISIONS				
ISSUE	SYM	DATE	DRAFTER	CHECKER

NOTE:

 <b>樹林企業股份有限公司</b> TAIWAN SHULIN ENTERPRISE CO., LTD	MODEL	TF-4229		
	MATERIAL	PBT		
WEB: <a href="http://www.bobbin.com.tw">www.bobbin.com.tw</a>	UL RATING	UL94V-0	TOLERANCE .X ±0.2 .XX ±0.15 PIN PITCH ±0.1	
e-mail: <a href="mailto:shulin@bobbin.com.tw">shulin@bobbin.com.tw</a>	PIN MATERIAL	CP WIRE		
(TAIWAN TAIPEI) TEL: (886)2-2223-1500 FAX: (886)2-2222-4646	EDITION	2.0		
(CHINA DONGGUAN) TEL: (86)769-7730-785 FAX: (86)769-7312-387	DATE	2002/8/15	UNIT	MM
(CHINA SUZHOU) TEL: (86)512-6621-0580 FAX: (86)512-6621-0685	SCALE	1/1		

-D2-ER42-P07 -



REVISIONS				
ISSUE	SYM	DATE	DRAFTER	CHECKER

NOTE:



樹林企業股份有限公司

TAIWAN SHULIN ENTERPRISE CO., LTD

WEB:www.bobbin.com.tw

e-mail:shulin@bobbin.com.tw

(TAIWAN TAIPEI) TEL:(886)(02)2225-1278 FAX:(886)(02)2222-4646

(CHINA DONGGUAN) TEL:(86)769-7730-785 FAX:(86)769-7312-387

(CHINA SUZHOU) TEL:(86)512-6621-0580 FAX:(86)512-6621-0685

MODEL

TF-4301

MATERIAL

PHENOLIC

UL RATING

UL 94V-0

PIN MATERIAL

CP WIRE

EDITION

1.0

DATE

2002/11/26

SCALE

1/1

TOLERANCE

.X ±0.2

.XX ±0.15

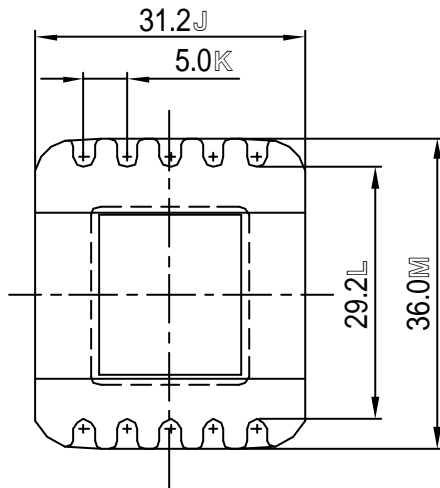
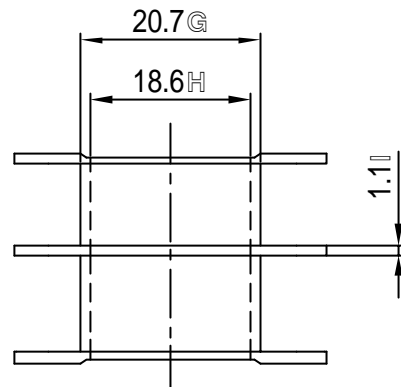
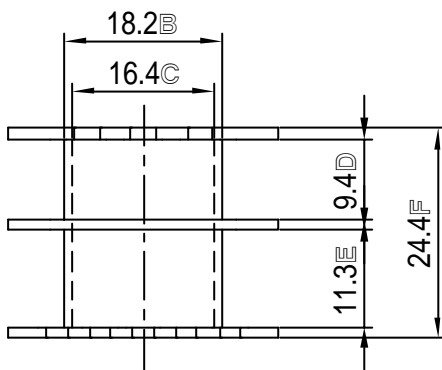
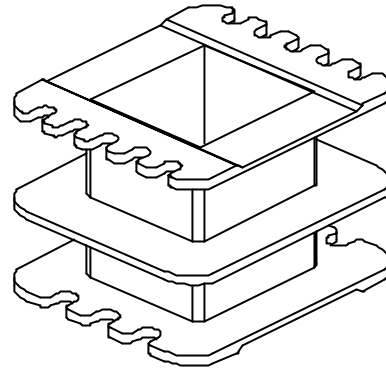
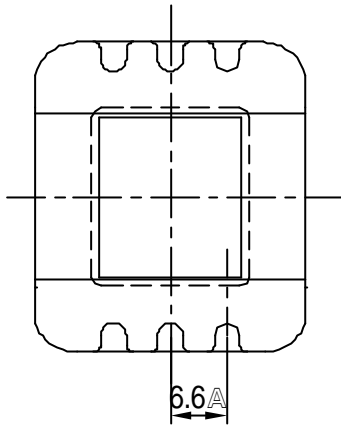
PIN PITCH ±0.1

UNIT

MM

-D1-E43-P01 -

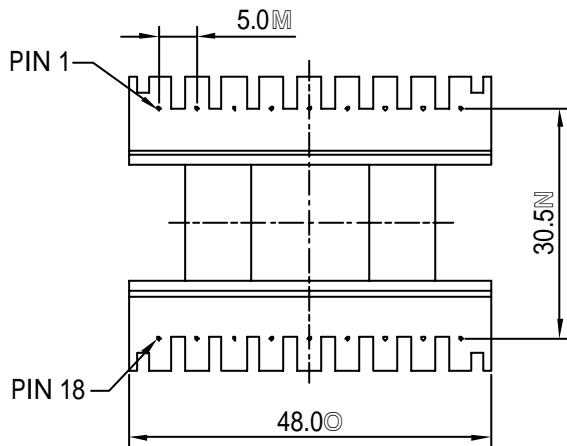
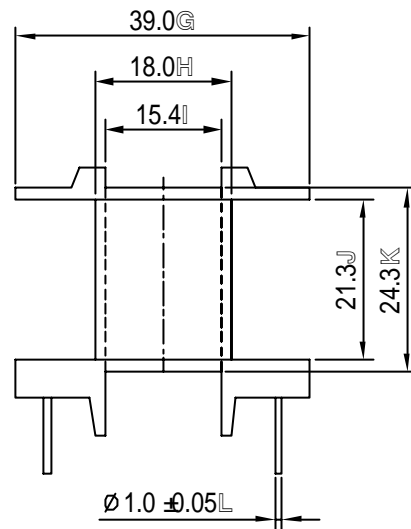
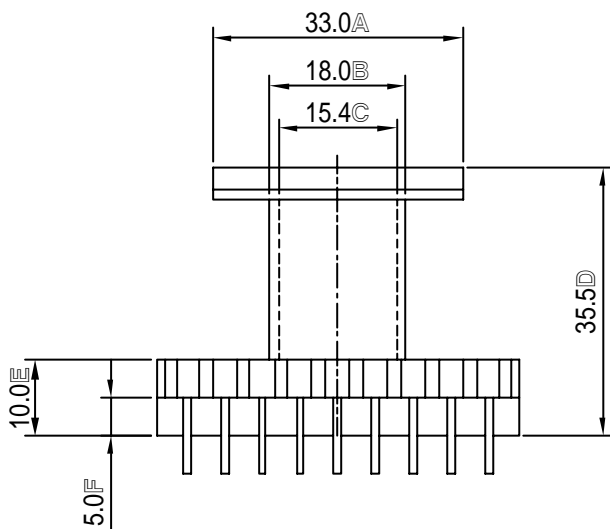
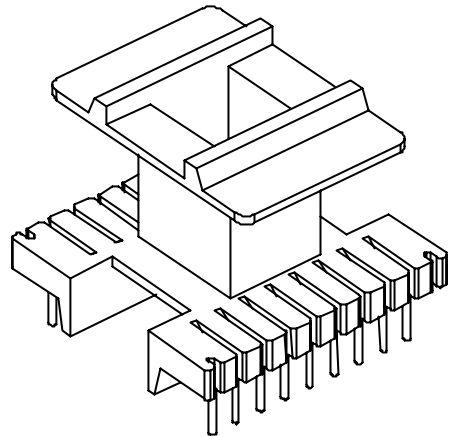
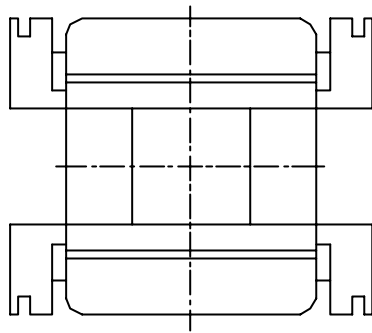
本图面版权属台湾树林，本人仅将其汇总。不承担任何法律责任！！QQ：195502110



REVISIONS				
ISSUE	SYM	DATE	DRAFTER	CHECKER
NOTE:				

 <b>樹林企業股份有限公司</b> TAIWAN SHULIN ENTERPRISE CO., LTD	MODEL	TF-4801		
	MATERIAL	NYLON66		
<a href="http://www.bobbin.com.tw">http://www.bobbin.com.tw</a> <a href="mailto:shulin@www.bobbin.com.tw">e-mail:shulin@www.bobbin.com.tw</a> (TAIWAN TAIPEI) TEL:(886)(02)2225-1278 FAX:(886)(02)2222-4646 (CHINA DONGGUAN) TEL:(86) 769- 773-0785 FAX:( 86) 769- 731-2387 (CHINA SUZHOU) TEL:( 86) 512- 6621-0580 FAX:( 86) 512-6521-0685	UL RATING	UL94V-0	TOLERANCE .X ±0.2 .XX ±0.15	
	PIN MATERIAL			
	EDITION	1.0		
	DATE	2003/4/30		
	SCALE	1/1	UNIT	MM

-D1-E48-P01-

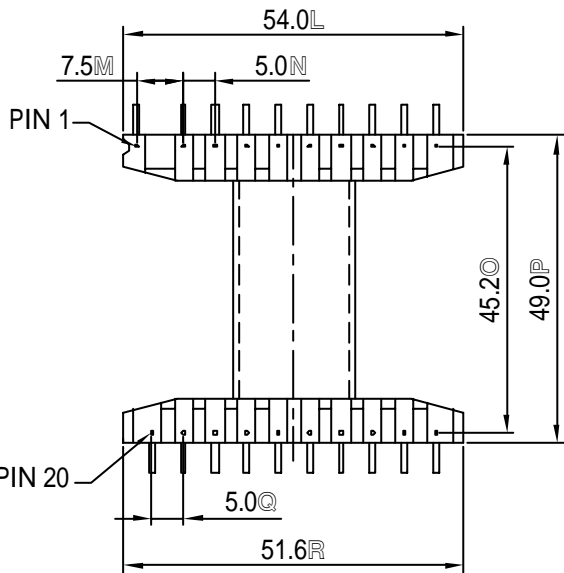
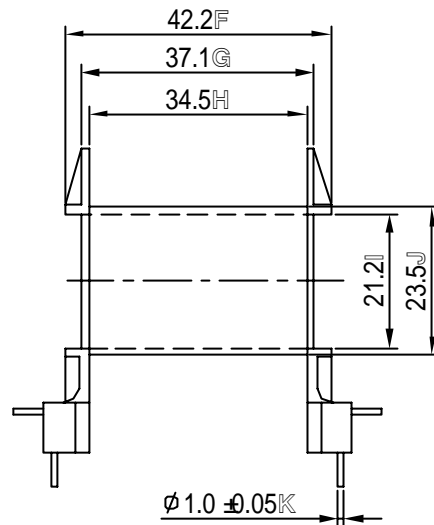
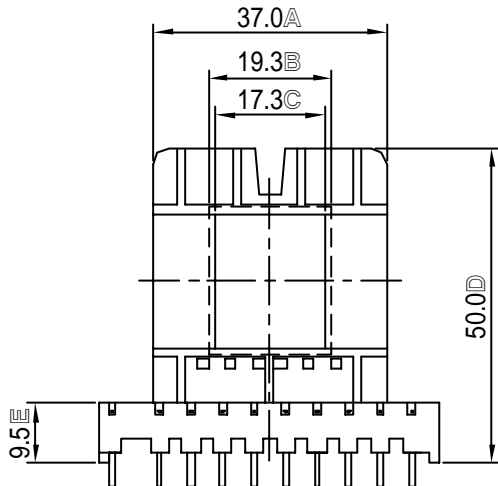
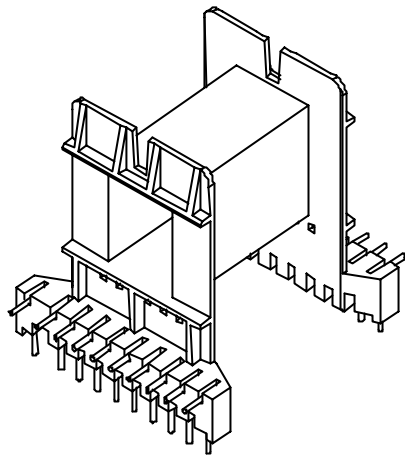
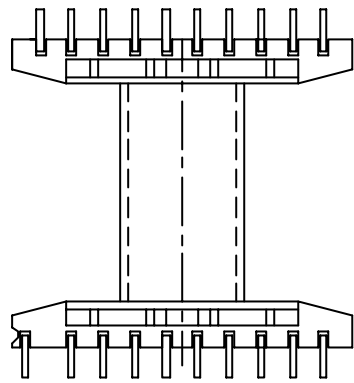


REVISIONS				
ISSUE	SYM	DATE	DRAFTER	CHECKER

NOTE:

 <b>樹林企業股份有限公司</b> TAIWAN SHULIN ENTERPRISE CO., LTD	MODEL		TF-5001	
	MATERIAL		PHENOLIC	
WEB: www.bobbin.com.tw	UL RATING	UL94V-0	<b>TOLERANCE</b> .X $\pm 0.2$ .XX $\pm 0.15$ PIN PITCH $\pm 0.1$	
e-mail: shulin@bobbin.com.tw	PIN MATERIAL	CP WIRE		
(TAIWAN TAIPEI) TEL: (886)2-2223-1500 FAX: (886)2-2222-4646	EDITION	2.0		
(CHINA DONGGUAN) TEL: (86)769-7730-785 FAX: (86)769-7312-387	DATE	2002/8/15		
(CHINA SUZHOU) TEL: (86)512-6621-0580 FAX: (86)512-6621-0685	SCALE	1/1	UNIT	MM

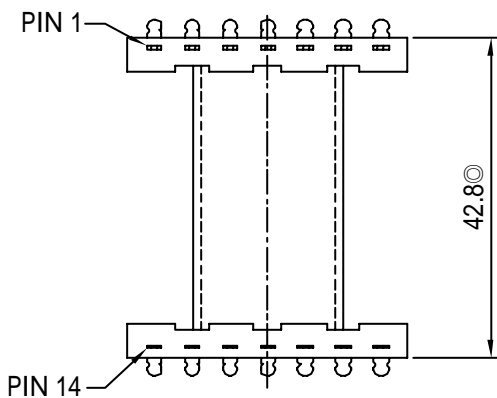
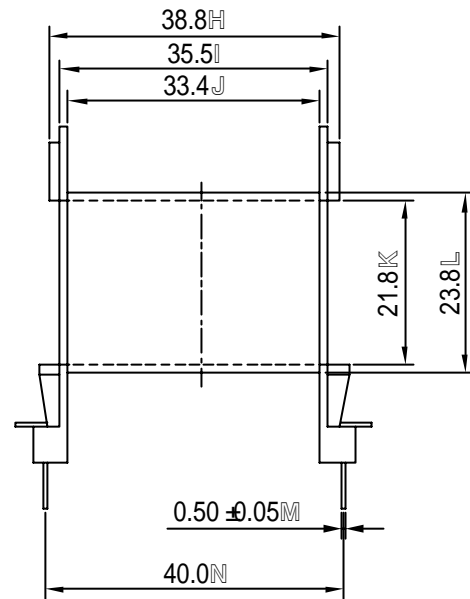
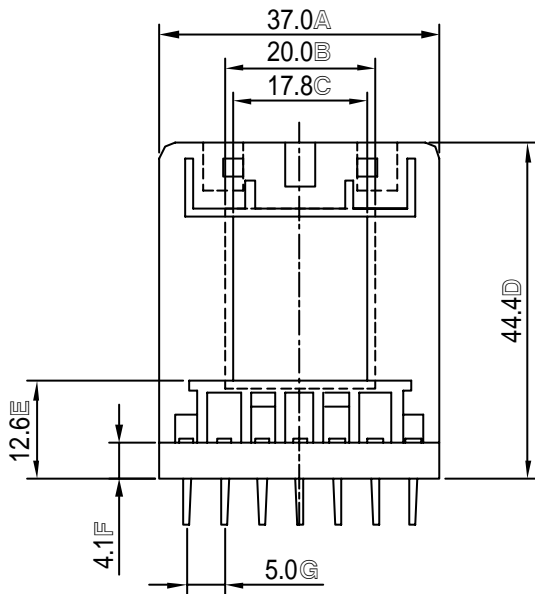
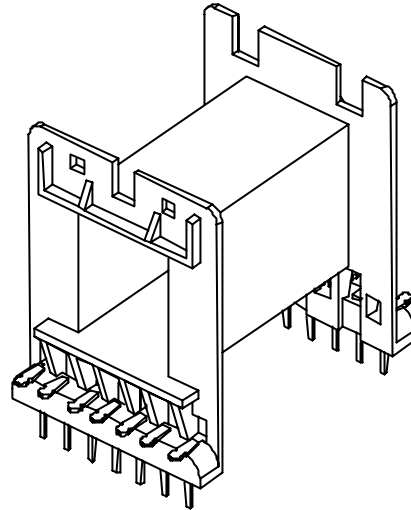
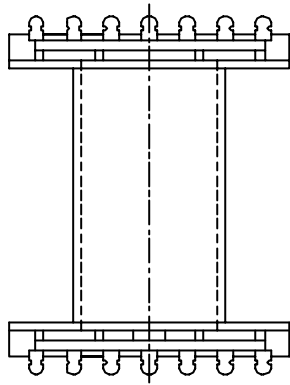
-D1-E50-P01 -



REVISIONS				
ISSUE	SYM	DATE	DRAFTER	CHECKER
NOTE:				

 <b>樹林企業股份有限公司</b> TAIWAN SHULIN ENTERPRISE CO., LTD	MODEL	TF-5501		
	MATERIAL	PBT		
WEB: www.bobbin.com.tw	UL RATING	UL94V-0	TOLERANCE .X $\pm 0.2$ .XX $\pm 0.15$ PIN PITCH $\pm 0.1$	
e-mail: shulin@bobbin.com.tw	PIN MATERIAL	PHOS.B		
(TAIWAN TAIPEI) TEL: (886)2-2223-1500 FAX: (886)2-2222-4646	EDITION	2.0		
(CHINA DONGGUAN) TEL: (86)769-7730-785 FAX: (86)769-7312-387	DATE	2002/8/15	UNIT	MM
(CHINA SUZHOU) TEL: (86)512-6621-0580 FAX: (86)512-6621-0685	SCALE	1/1		

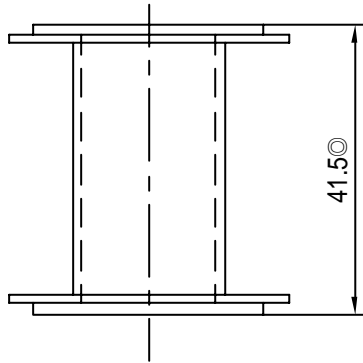
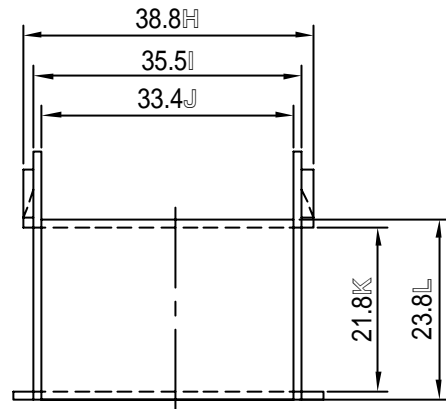
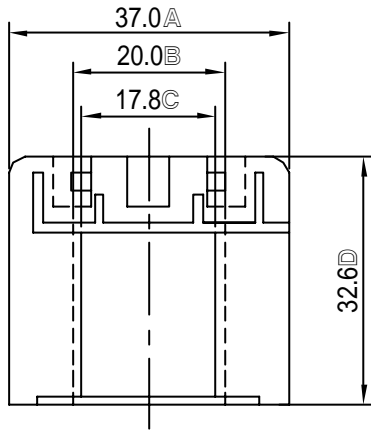
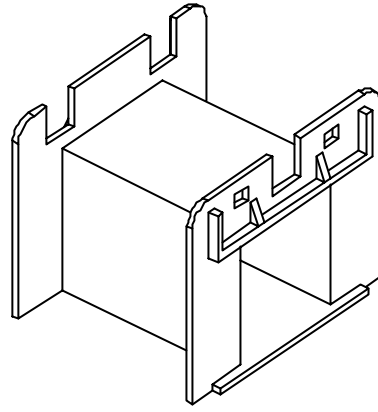
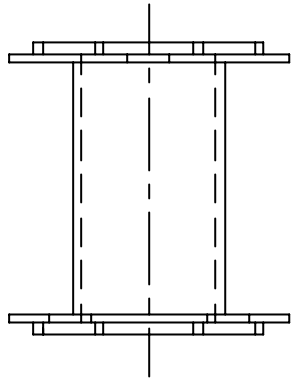
-D1-E55-P01-



REVISIONS				
ISSUE	SYM	DATE	DRAFTER	CHECKER
NOTE:				

 <b>樹林企業股份有限公司</b> TAIWAN SHULIN ENTERPRISE CO., LTD	MODEL	TF-5502		
	MATERIAL	PBT		
WEB:www.bobbin.com.tw	UL RATING	UL94V-0	TOLERANCE .X ±0.2 .XX ±0.15 PIN PITCH ±0.1	
e-mail:shulin@bobbin.com.tw	PIN MATERIAL	PHOS.B		
(TAIWAN TAIPEI) TEL:(886)2-2223-1500 FAX:(886)2-2222-4646	EDITION	2.0		
(CHINA DONGGUAN) TEL:(86)769-7730-785 FAX:(86)769-7312-387	DATE	2002/8/15	UNIT	MM
(CHINA SUZHOU) TEL:(86)512-6621-0580 FAX:(86)512-6621-0685	SCALE	1/1		

-D1-E55-P02 -

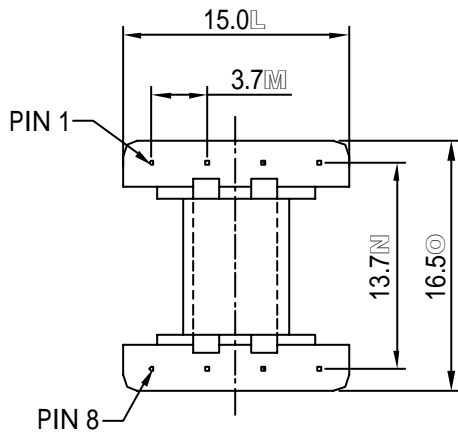
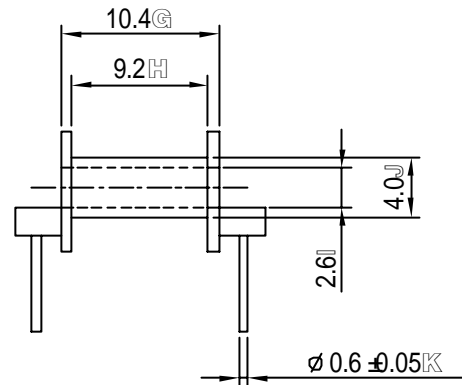
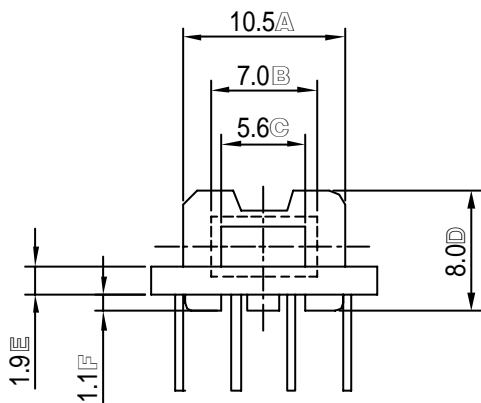
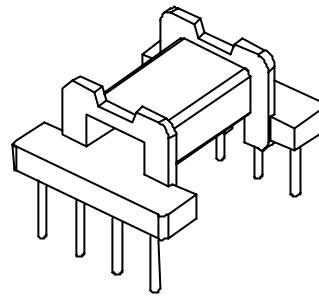
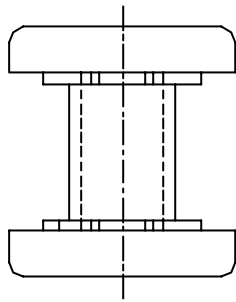


REVISIONS				
ISSUE	SYM	DATE	DRAFTER	CHECKER

NOTE:

 <b>樹林企業股份有限公司</b> TAIWAN SHULIN ENTERPRISE CO., LTD	MODEL	TF-5502 -1		
	MATERIAL	PBT		
WEB:www.bobbin.com.tw	UL RATING	UL94V-0	TOLERANCE .X $\pm 0.2$ .XX $\pm 0.15$ PIN PITCH $\pm 0.1$	
e-mail:shulin@bobbin.com.tw	PIN MATERIAL	CP WIRE		
(TAIWAN TAIPEI) TEL:(886)2-2223-1500 FAX:(886)2-2222-4646	EDITION	2.0		
(CHINA DONGGUAN) TEL:(86)769-7730-785 FAX:(86)769-7312-387	DATE	2002/8/15		
(CHINA SUZHOU) TEL:(86)512-6621-0580 FAX:(86)512-6621-0685	SCALE	1/1	UNIT	MM

-D1-E55-P03 -



REVISIONS				
ISSUE	SYM	DATE	DRAFTER	CHECKER
NOTE:				



樹林企業股份有限公司

TAIWAN SHULIN ENTERPRISE CO., LTD

WEB: www.bobbin.com.tw

e-mail: shulin@bobbin.com.tw

(TAIWAN TAIPEI) TEL: (886)2-2223-1500 FAX: (886)2-2222-4646

(CHINA DONGGUAN) TEL: (86)769-7730-785 FAX: (86)769-7312-387

(CHINA SUZHOU) TEL: (86)512-6621-0580 FAX: (86)512-6621-0685

MODEL

EFD-15

MATERIAL

PHENOLIC

UL RATING

UL94V-0

PIN MATERIAL

CP WIRE

EDITION

2.0

DATE

2002/8/15

SCALE

2/1

TOLERANCE

.X  $\pm 0.2$

.XX  $\pm 0.15$

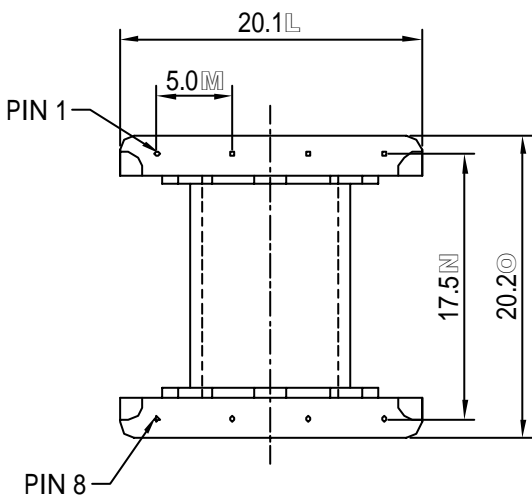
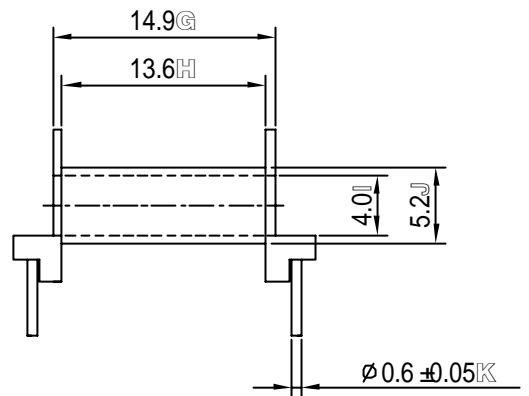
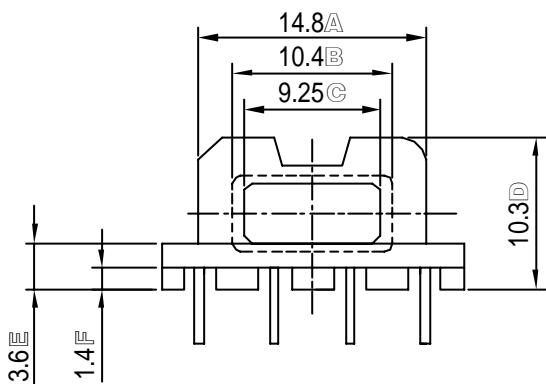
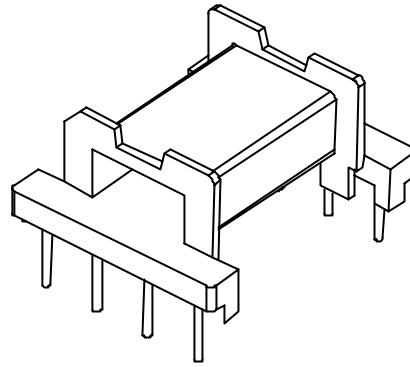
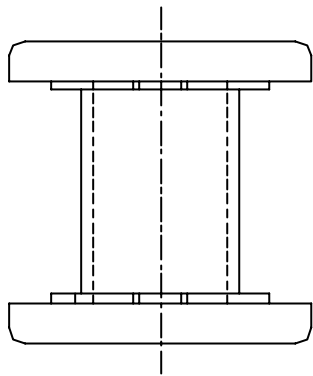
PIN PITCH  $\pm 0.1$

UNIT

MM

- D11-EFD15-P01 -





REVISIONS				
ISSUE	SYM	DATE	DRAFTER	CHECKER

NOTE:



樹林企業股份有限公司

TAIWAN SHULIN ENTERPRISE CO., LTD

WEB: www.bobbin.com.tw

e-mail: shulin@bobbin.com.tw

(TAIWAN TAIPEI) TEL: (886)2-2223-1500 FAX: (886)2-2222-4646

(CHINA DONGGUAN) TEL: (86)769-7730-785 FAX: (86)769-7312-387

(CHINA SUZHOU) TEL: (86)512-6621-0580 FAX: (86)512-6621-0685

MODEL

EFD-20

MATERIAL

PHENOLIC

UL RATING

UL94V-0

PIN MATERIAL

CP WIRE

EDITION

2.0

DATE

2002/8/15

SCALE

2/1

TOLERANCE

.X  $\pm 0.2$

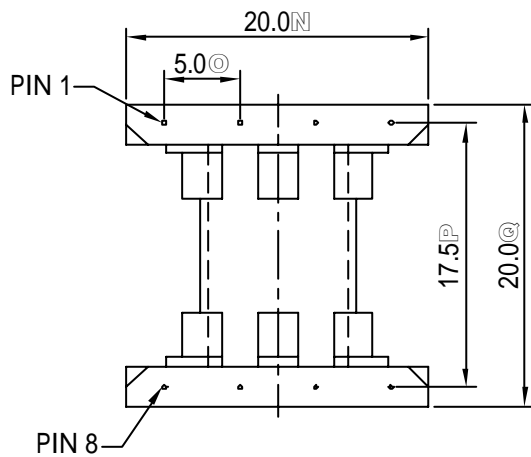
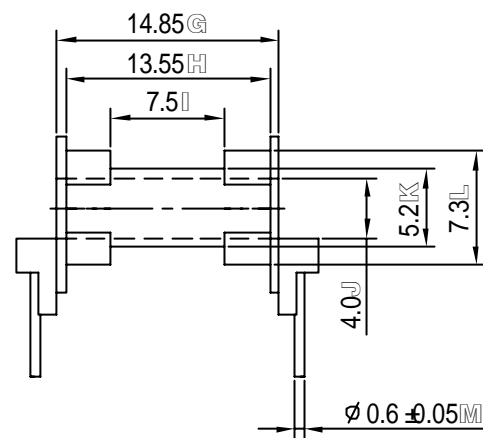
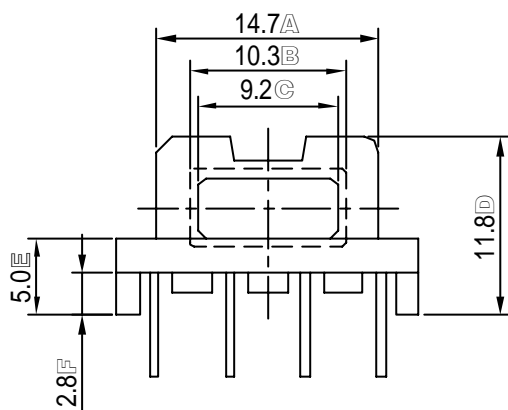
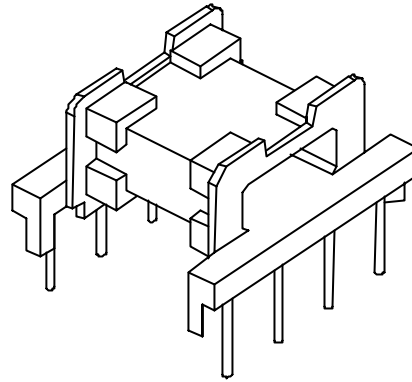
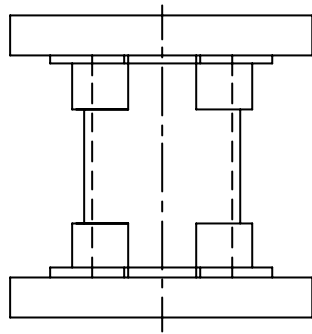
.XX  $\pm 0.15$

PIN PITCH  $\pm 0.1$

UNIT

MM

- D11-EFD20-P01 -



REVISIONS				
ISSUE	SYM	DATE	DRAFTER	CHECKER

NOTE:



樹林企業股份有限公司

TAIWAN SHULIN ENTERPRISE CO., LTD

WEB:www.bobbin.com.tw

e-mail:shulin@bobbin.com.tw

(TAIWAN TAIPEI) TEL:(886)2-2223-1500 FAX:(886)2-2222-4646

(CHINA DONGGUAN) TEL:(86)769-7730-785 FAX:(86)769-7312-387

(CHINA SUZHOU) TEL:(86)512-6621-0580 FAX:(86)512-6621-0685

MODEL

EFD-20-1

MATERIAL

PHENOLIC

UL RATING

UL94V-0

PIN MATERIAL

CP WIRE

EDITION

2.0

DATE

2002/8/15

SCALE

2/1

TOLERANCE

.X  $\pm 0.2$

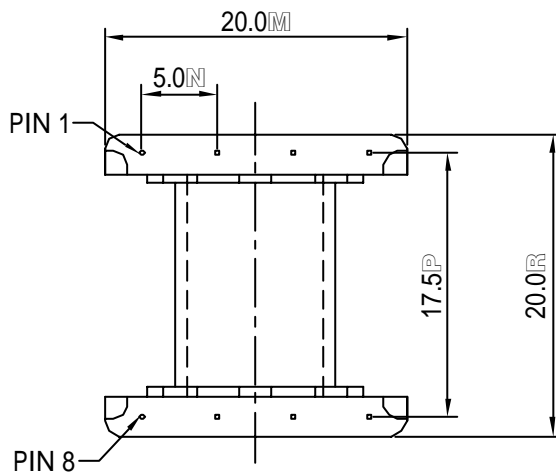
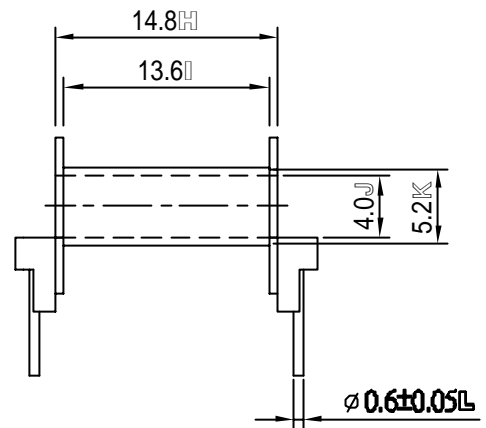
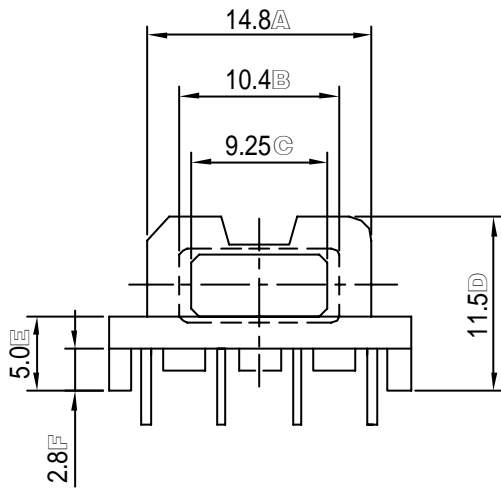
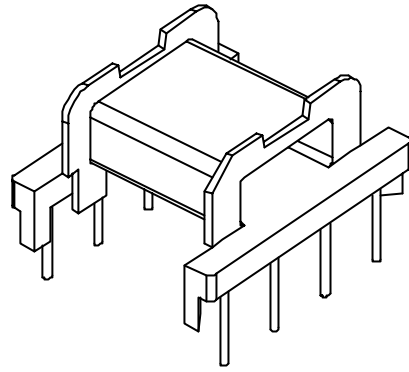
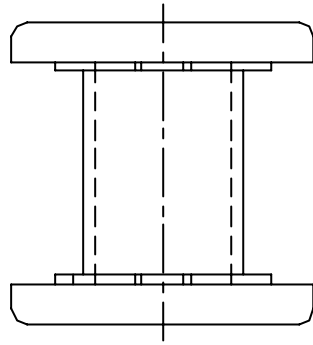
.XX  $\pm 0.15$

PIN PITCH  $\pm 0.1$

UNIT

MM

- D11-EF20-P02 -



REVISIONS				
ISSUE	SYM	DATE	DRAFTER	CHECKER

NOTE:



樹林企業股份有限公司

TAIWAN SHULIN ENTERPRISE CO., LTD

WEB: www.bobbin.com.tw

e-mail: shulin@bobbin.com.tw

(TAIWAN TAIPEI) TEL: (886)2-2223-1500 FAX: (886)2-2222-4646

(CHINA DONGGUAN) TEL: (86)769-7730-785 FAX: (86)769-7312-387

(CHINA SUZHOU) TEL: (86)512-6621-0580 FAX: (86)512-6621-0685

MODEL

EFD-20-2

MATERIAL

PHENOLIC

UL RATING

UL94V-0

PIN MATERIAL

CP WIRE

EDITION

2.0

DATE

2002/8/15

SCALE

2/1

TOLERANCE

.X  $\pm 0.2$

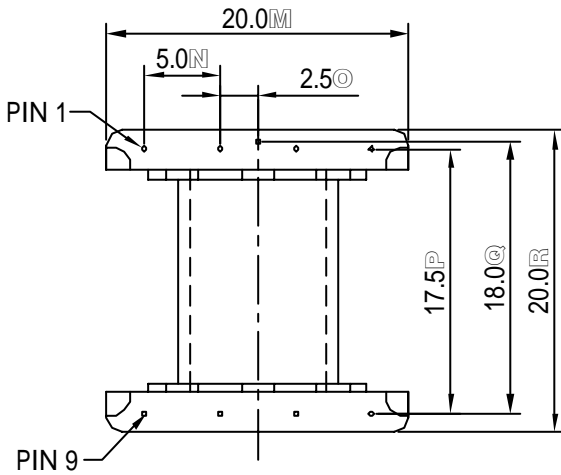
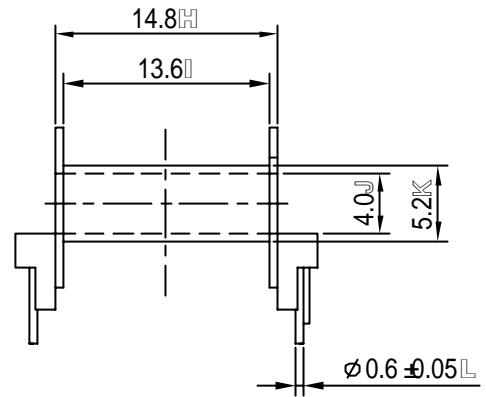
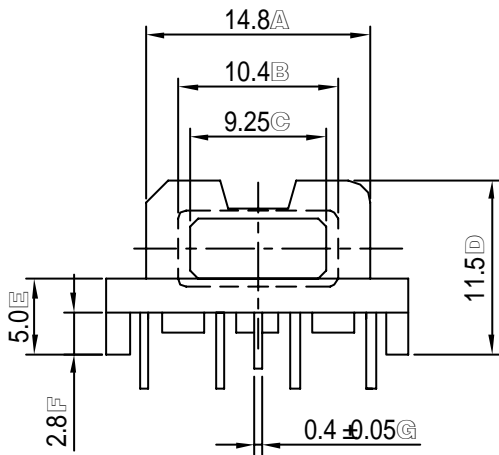
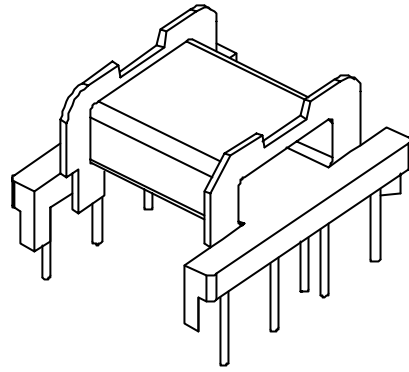
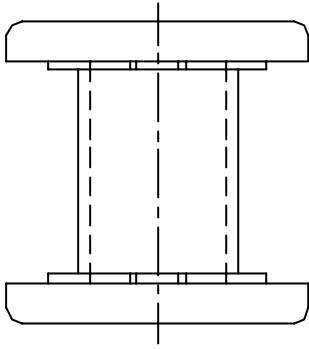
.XX  $\pm 0.15$

PIN PITCH  $\pm 0.1$

UNIT

MM

- D11-EFD20-P03 -



REVISIONS				
ISSUE	SYM	DATE	DRAFTER	CHECKER
NOTE:				



樹林企業股份有限公司

TAIWAN SHULIN ENTERPRISE CO., LTD

WEB: www.bobbin.com.tw

e-mail: shulin@bobbin.com.tw

(TAIWAN TAIPEI) TEL: (886)2-2223-1500 FAX: (886)2-2222-4646

(CHINA DONGGUAN) TEL: (86)769-7730-785 FAX: (86)769-7312-387

(CHINA SUZHOU) TEL: (86)512-6621-0580 FAX: (86)512-6621-0685

MODEL

EFD-20-3

MATERIAL

PHENOLIC

UL RATING

UL94V-0

TOLERANCE

PIN MATERIAL

CP WIRE

.X ±0.2

EDITION

2.0

.XX ±0.15

DATE

2002/8/15

PIN PITCH ±0.1

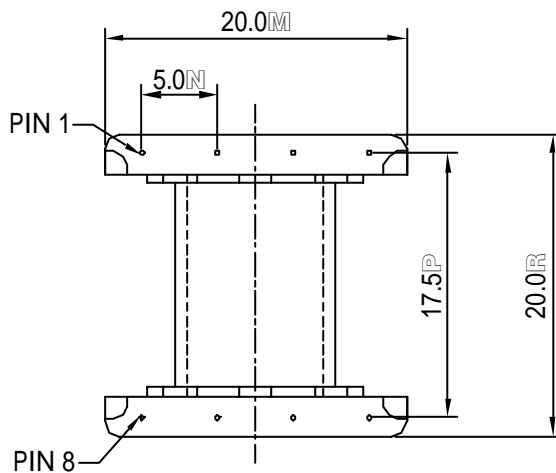
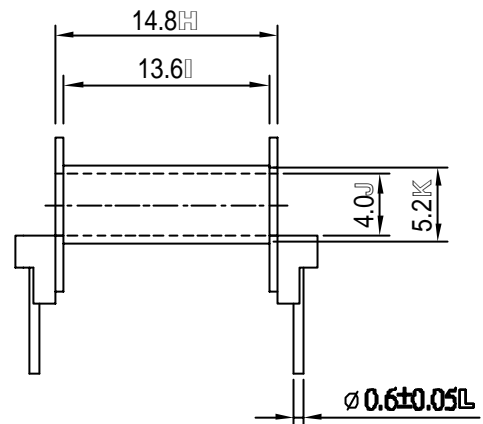
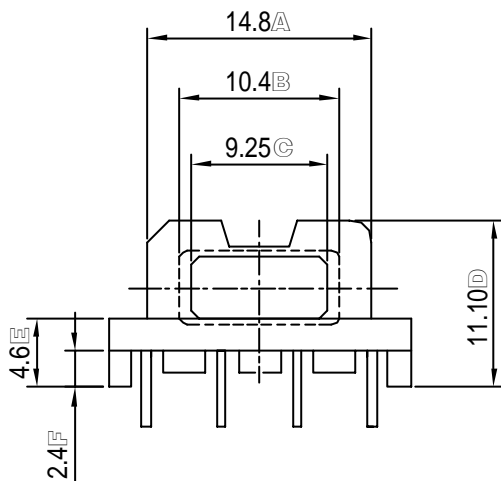
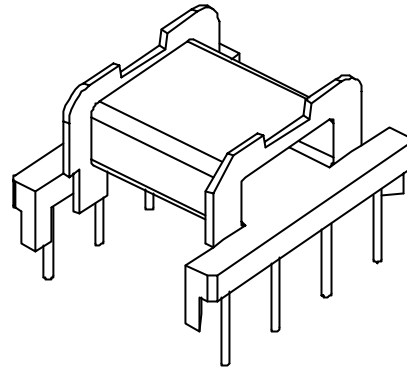
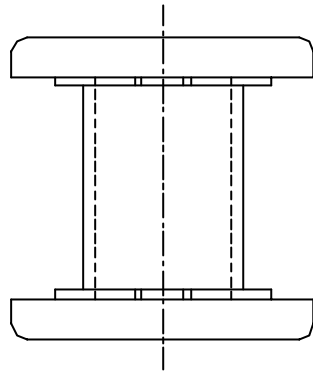
SCALE

2/1

UNIT

MM

- D11-EFD20-P04 -



REVISIONS				
ISSUE	SYM	DATE	DRAFTER	CHECKER

NOTE:



樹林企業股份有限公司

TAIWAN SHULIN ENTERPRISE CO., LTD

WEB: www.bobbin.com.tw

e-mail: shulin@bobbin.com.tw

(TAIWAN TAIPEI) TEL: (886)2-2223-1500 FAX: (886)2-2222-4646

(CHINA DONGGUAN) TEL: (86)769-7730-785 FAX: (86)769-7312-387

(CHINA SUZHOU) TEL: (86)512-6621-0580 FAX: (86)512-6621-0685

MODEL

EFD-20-4

MATERIAL

PHENOLIC

UL RATING

UL94V-0

PIN MATERIAL

CP WIRE

EDITION

1.0

DATE

2002/8/15

SCALE

2/1

TOLERANCE

.X  $\pm 0.2$

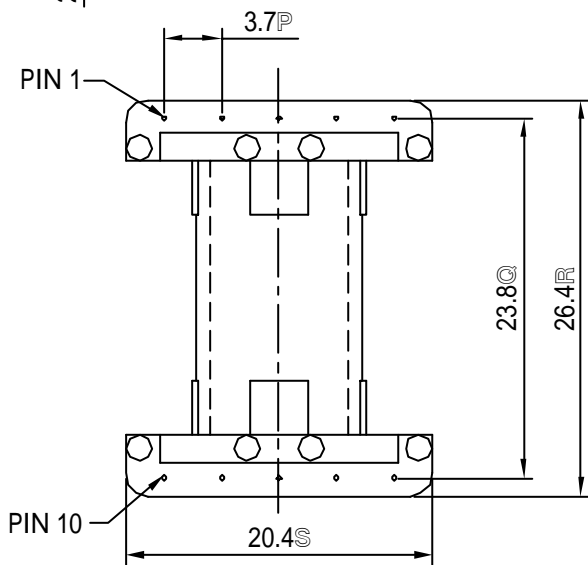
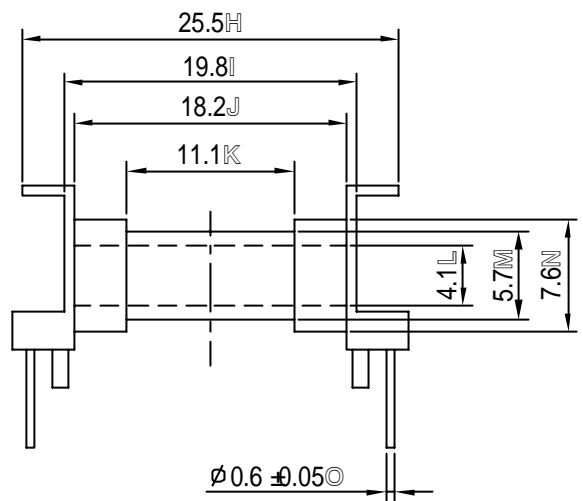
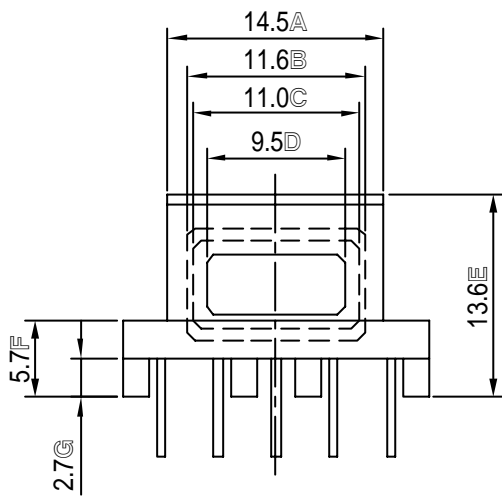
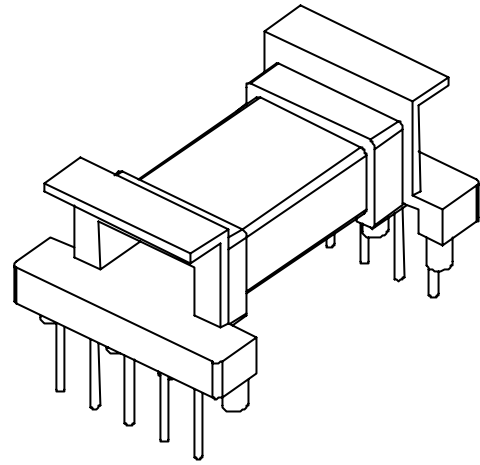
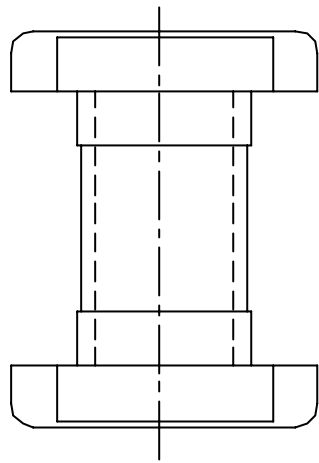
.XX  $\pm 0.15$

PIN PITCH  $\pm 0.1$

UNIT

MM

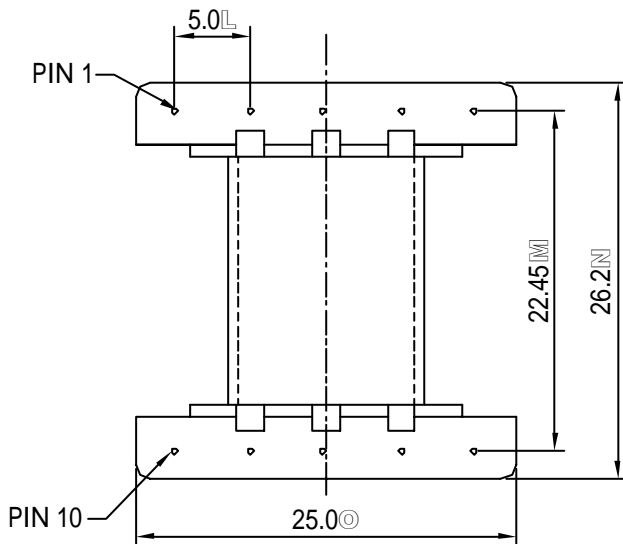
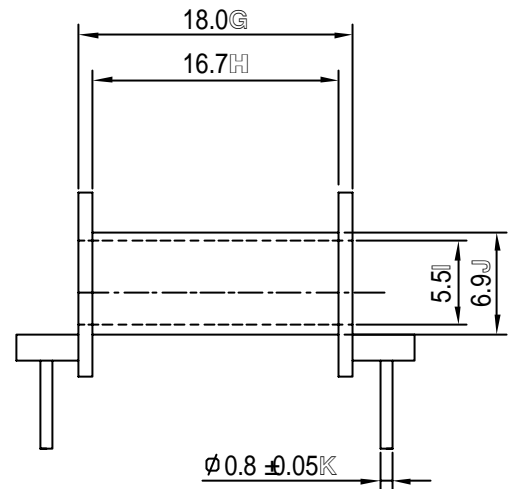
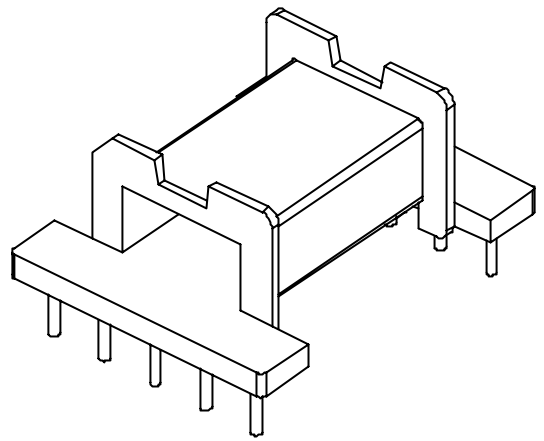
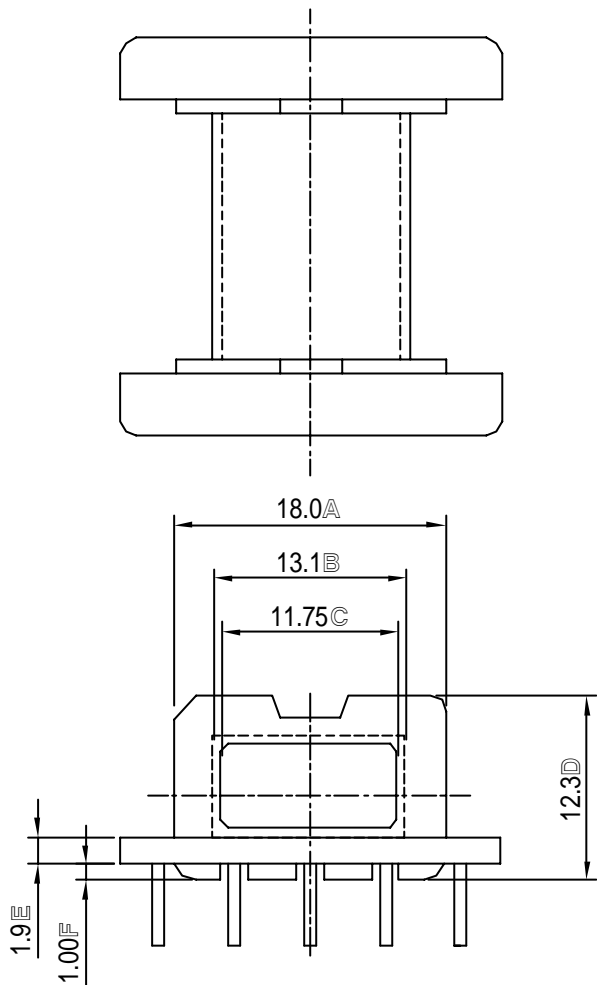
- D11-EFD20-P05 -



REVISIONS				
ISSUE	SYM	DATE	DRAFTER	CHECKER
NOTE:				

 <b>樹林企業股份有限公司</b> TAIWAN SHULIN ENTERPRISE CO., LTD	MODEL		EFD-20L	
	MATERIAL		PHENOLIC	
WEB:www.bobbin.com.tw	UL RATING	UL94V-0	TOLERANCE  .X $\pm 0.2$ .XX $\pm 0.15$ PIN PITCH $\pm 0.1$	
e-mail:shulin@bobbin.com.tw	PIN MATERIAL	CP WIRE		
(TAIWAN TAIPEI) TEL:(886)2-2223-1500 FAX:(886)2-2222-4646	EDITION	2.0		
(CHINA DONGGUAN) TEL:(86)769-7730-785 FAX:(86)769-7312-387	DATE	2002/8/15		
(CHINA SUZHOU) TEL:(86)512-6621-0580 FAX:(86)512-6621-0685	SCALE	2/1	UNIT	MM

-D11-EFD20-P06 -

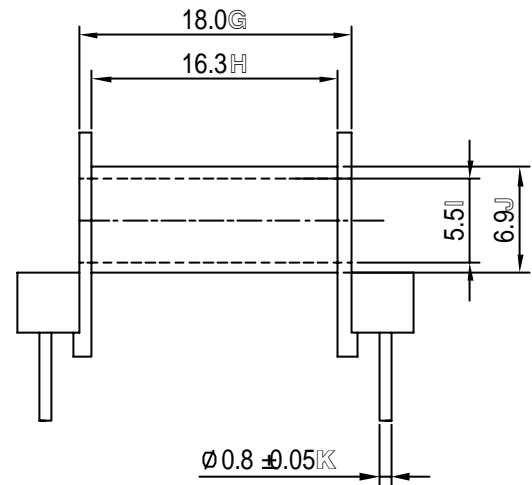
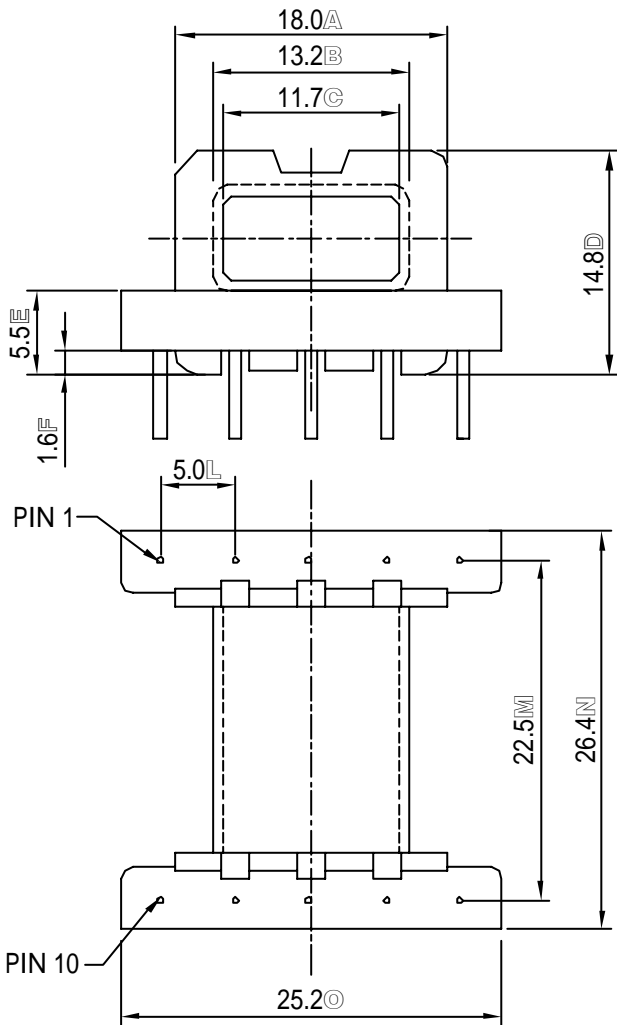
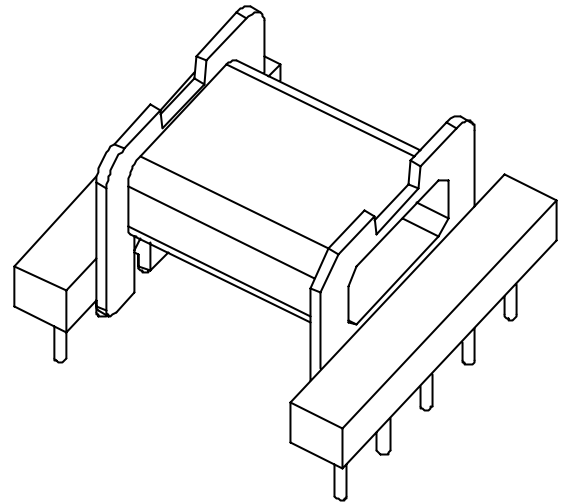
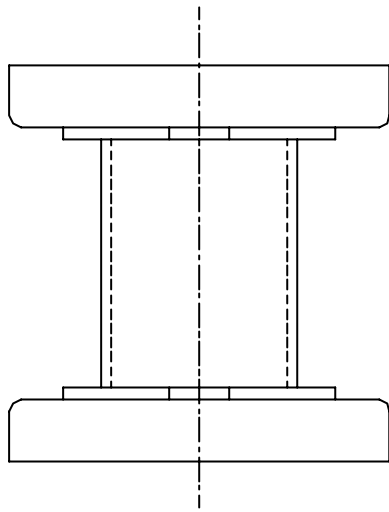


REVISIONS				
ISSUE	SYM	DATE	DRAFTER	CHECKER

NOTE:

 <b>樹林企業股份有限公司</b> TAIWAN SHULIN ENTERPRISE CO., LTD	MODEL		EFD-25	
	MATERIAL		PHENOLIC	
WEB:www.bobbin.com.tw	UL RATING	UL94V-0	TOLERANCE .X $\pm 0.2$ .XX $\pm 0.15$ PIN PITCH $\pm 0.1$	
e-mail:shulin@bobbin.com.tw	PIN MATERIAL	CP WIRE		
(TAIWAN TAIPEI) TEL:(886)2-2223-1500 FAX:(886)2-2222-4646	EDITION	2.0		
(CHINA DONGGUAN) TEL:(86)769-7730-785 FAX:(86)769-7312-387	DATE	2002/8/15		
(CHINA SUZHOU) TEL:(86)512-6621-0580 FAX:(86)512-6621-0685	SCALE	2/1	UNIT	MM

-D11-EF25-P01 -



REVISIONS				
ISSUE	SYM	DATE	DRAFTER	CHECKER

NOTE:



樹林企業股份有限公司

TAIWAN SHULIN ENTERPRISE CO., LTD

WEB:www.bobbin.com.tw

e-mail:shulin@bobbin.com.tw

(TAIWAN TAIPEI) TEL:(886)2-2223-1500 FAX:(886)2-2222-4646

(CHINA DONGGUAN) TEL:(86)769-7730-785 FAX:(86)769-7312-387

(CHINA SUZHOU) TEL:(86)512-6621-0580 FAX:(86)512-6621-0685

MODEL

EFD-25-1

MATERIAL

PHENOLIC

UL RATING

UL94V-0

TOLERANCE

PIN MATERIAL

CP WIRE

.X ±0.2

EDITION

2.0

.XX ±0.15

DATE

2002/8/15

PIN PITCH ±0.1

SCALE

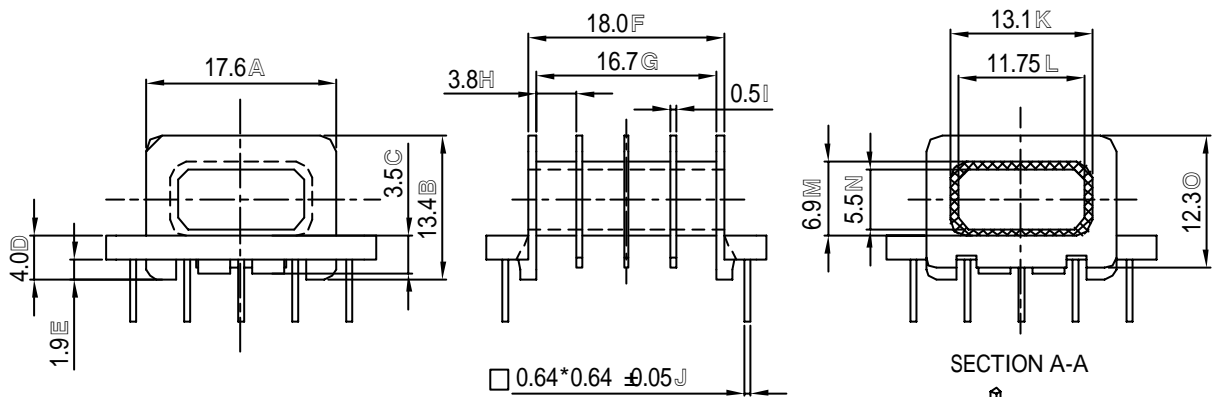
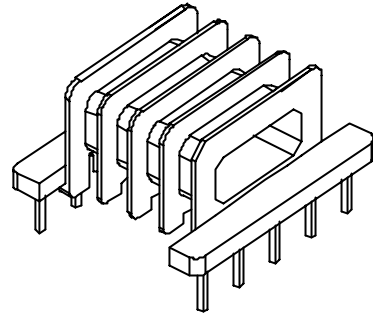
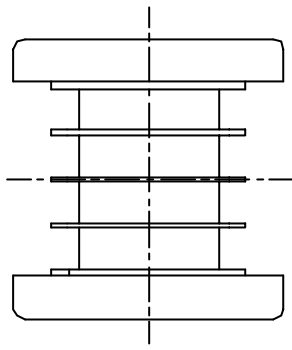
2/1

UNIT

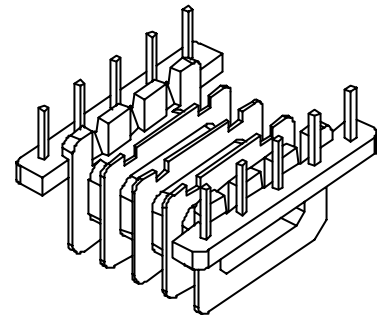
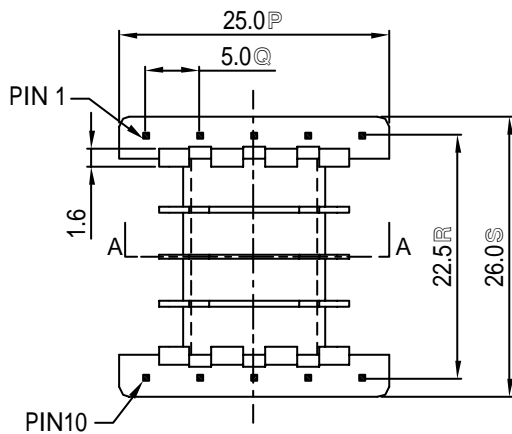
MM

-D11-EFD25-P02-





SECTION A-A



REVISIONS				
ISSUE	SYM	DATE	DRAFTER	CHECKER

NOTE:

 樹林企業股份有限公司  
TAIWAN SHULIN ENTERPRISE CO., LTD

MODEL

EFD-25-2

MATERIAL

PHENOLIC

WEB:www.bobbin.com.tw

UL RATING

UL94V-0

TOLERANCE

e-mail:shulin@bobbin.com.tw

PIN MATERIAL

CP WIRE

.X ±0.2

(TAIWAN TAIPEI) TEL:(886)2-2223-1500 FAX:(886)2-2222-4646

EDITION

2.0A

.XX ±0.15

(CHINA DONGGUAN) TEL:(86)769-7730-785 FAX:(86)769-7312-387

DATE

2003/10/10

PIN PITCH ±0.1

(CHINA SUZHOU) TEL:(86)512-6621-0580 FAX:(86)512-6621-0685

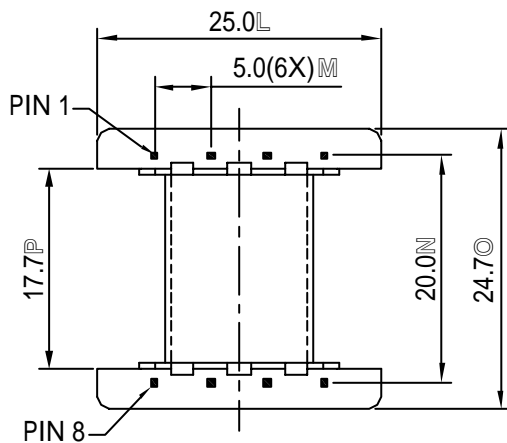
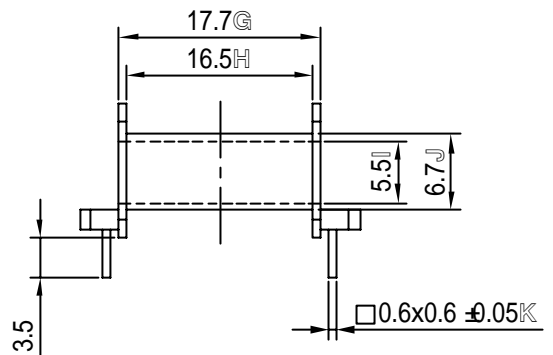
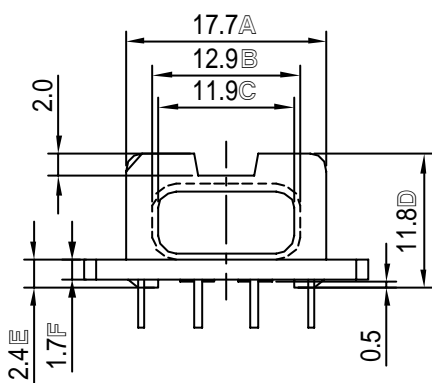
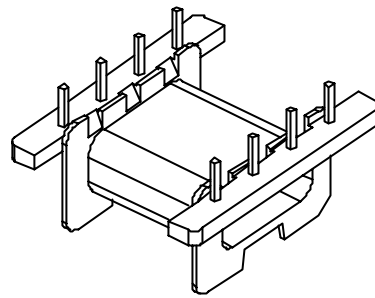
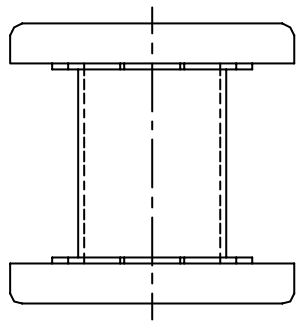
SCALE

1.5/1

UNIT

MM

-D11-EFD25-P03-



REVISIONS				
ISSUE	SYM	DATE	DRAFTER	CHECKER

NOTE:



樹林企業股份有限公司

TAIWAN SHULIN ENTERPRISE CO., LTD

WEB: www.bobbin.com.tw

e-mail: shulin@bobbin.com.tw

(TAIWAN TAIPEI) TEL: (886)2-2223-1500 FAX: (886)2-2222-4646

(CHINA DONGGUAN) TEL: (86)769-7730-785 FAX: (86)769-7312-387

(CHINA SUZHOU) TEL: (86)512-6621-0580 FAX: (86)512-6621-0685

MODEL

EFD-25-3

MATERIAL

PHENOLIC

UL RATING

UL94V-0

TOLERANCE

PIN MATERIAL

PHOS.B

.X ±0.2

EDITION

2.0

.XX ±0.15

DATE

2002/8/15

PIN PITCH ±0.1

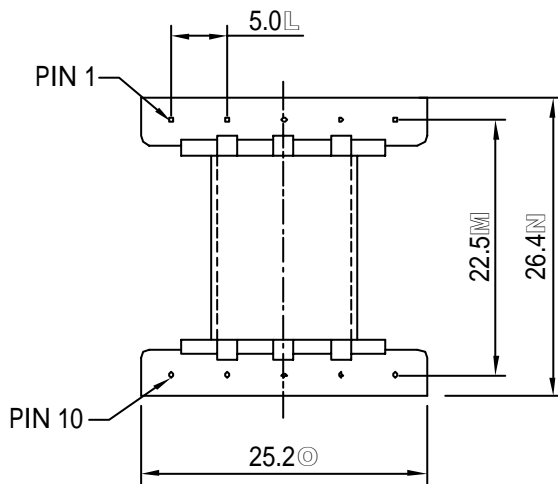
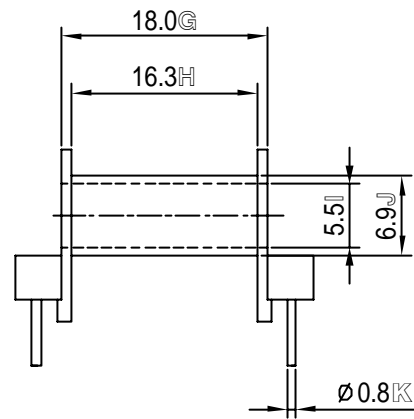
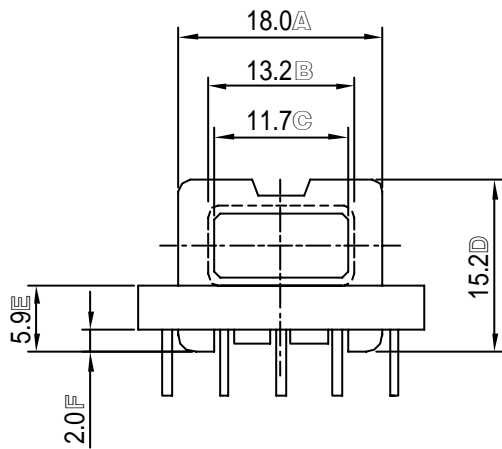
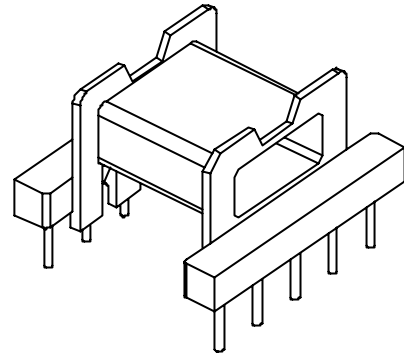
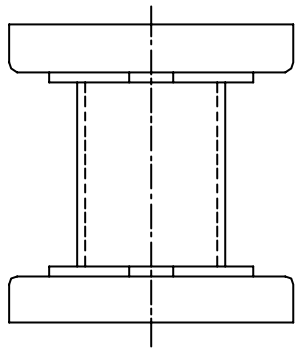
SCALE

1.5/1

UNIT

MM

-D11-EFD25-P04 -



REVISIONS				
ISSUE	SYM	DATE	DRAFTER	CHECKER

NOTE:



樹林企業股份有限公司

TAIWAN SHULIN ENTERPRISE CO., LTD

WEB: www.bobbin.com.tw

e-mail: shulin@bobbin.com.tw

(TAIWAN TAIPEI) TEL: (886)2-2223-1500 FAX: (886)2-2222-4646

(CHINA DONGGUAN) TEL: (86)769-7730-785 FAX: (86)769-7312-387

(CHINA SUZHOU) TEL: (86)512-6621-0580 FAX: (86)512-6621-0685

MODEL

EFD-25-4

MATERIAL

PHENOLIC

UL RATING

UL94V-0

PIN MATERIAL

CP WIRE

EDITION

1.0

DATE

2002/10/18

SCALE

1.5/1

TOLERANCE

.X  $\pm 0.2$

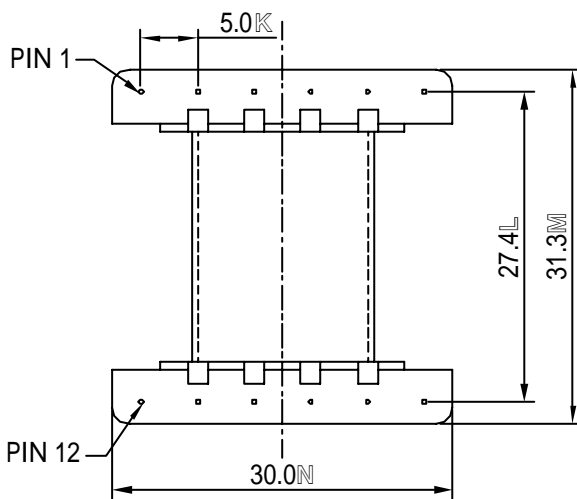
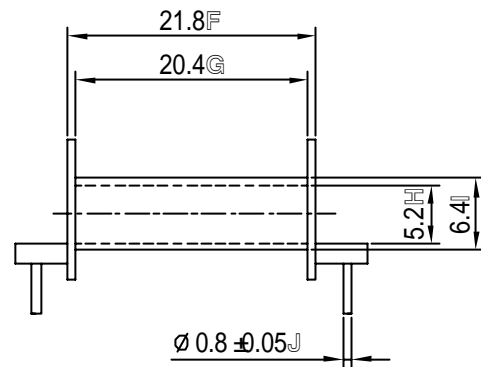
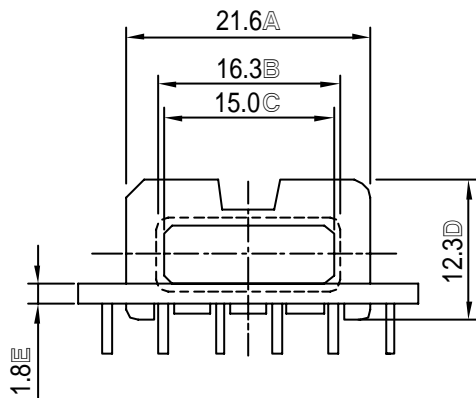
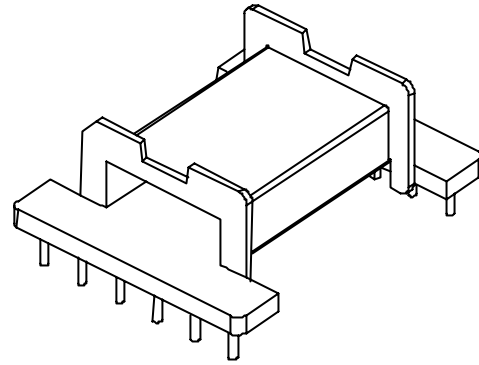
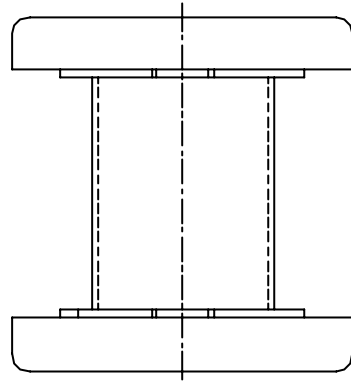
.XX  $\pm 0.15$

PIN PITCH  $\pm 0.1$

UNIT

MM

-D11-EFD25-P05-



REVISIONS				
ISSUE	SYM	DATE	DRAFTER	CHECKER

NOTE:



樹林企業股份有限公司

TAIWAN SHULIN ENTERPRISE CO., LTD

WEB:www.bobbin.com.tw

e-mail:shulin@bobbin.com.tw

(TAIWAN TAIPEI) TEL:(886)2-2223-1500 FAX:(886)2-2222-4646

(CHINA DONGGUAN) TEL:(86)769-7730-785 FAX:(86)769-7312-387

(CHINA SUZHOU) TEL:(86)512-6621-0580 FAX:(86)512-6621-0685

MODEL

EFD-30

MATERIAL

PHENOLIC

UL RATING

UL94V-0

TOLERANCE

PIN MATERIAL

CP WIRE

.X  $\pm 0.2$

.XX  $\pm 0.15$

EDITION

2.0

PIN PITCH  $\pm 0.1$

DATE

2002/8/15

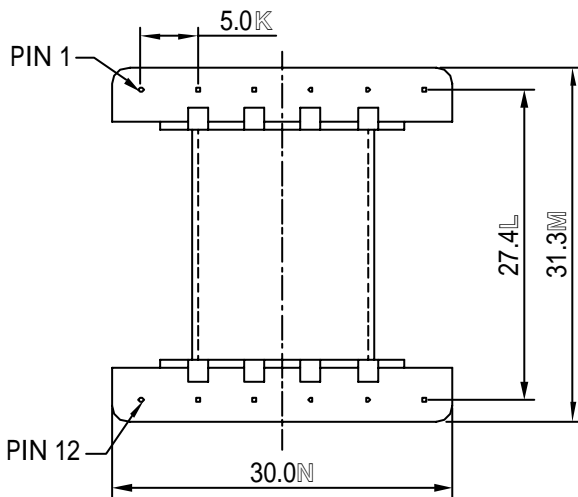
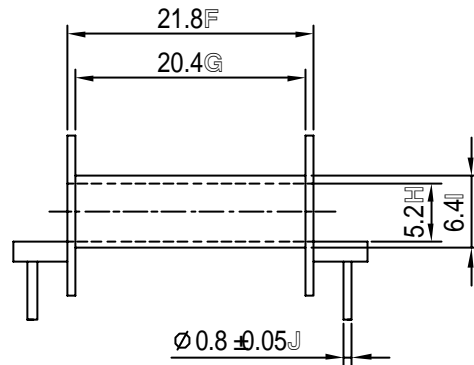
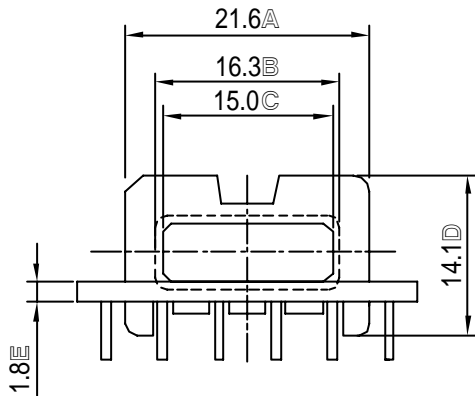
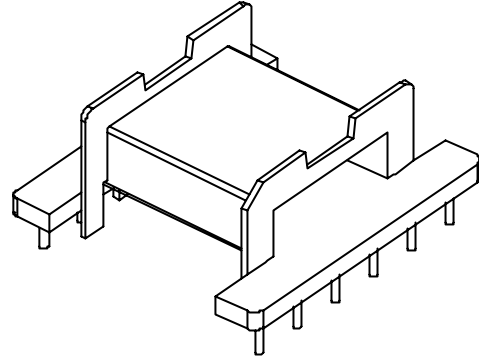
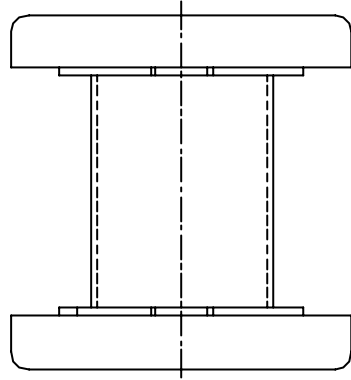
SCALE

1.5/1

UNIT

MM

-D11-EF30-P01 -



REVISIONS				
ISSUE	SYM	DATE	DRAFTER	CHECKER

NOTE:



樹林企業股份有限公司

TAIWAN SHULIN ENTERPRISE CO., LTD

WEB:www.bobbin.com.tw

e-mail:shulin@bobbin.com.tw

(TAIWAN TAIPEI) TEL:(886)2-2223-1500 FAX:(886)2-2222-4646

(CHINA DONGGUAN) TEL:(86)769-7730-785 FAX:(86)769-7312-387

(CHINA SUZHOU) TEL:(86)512-6621-0580 FAX:(86)512-6621-0685

MODEL

EFD-30-1

MATERIAL

PHENOLIC

UL RATING

UL94V-0

TOLERANCE

PIN MATERIAL

CP WIRE

.X  $\pm 0.2$

.XX  $\pm 0.15$

EDITION

1.0

PIN PITCH  $\pm 0.1$

DATE

2003/1/29

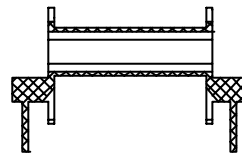
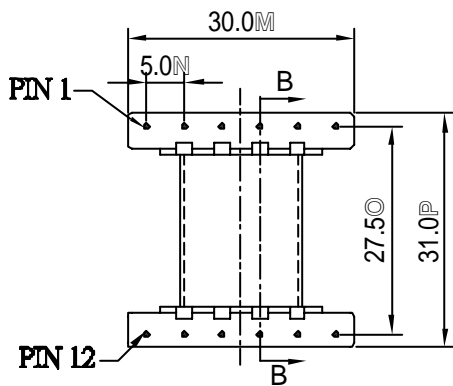
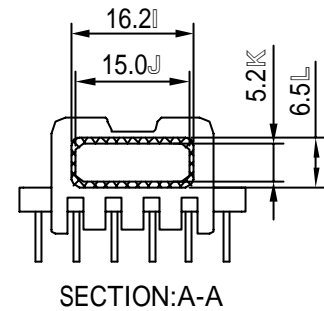
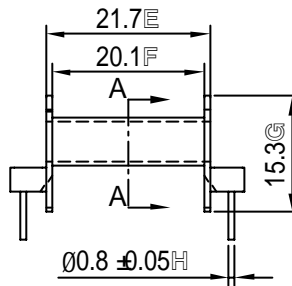
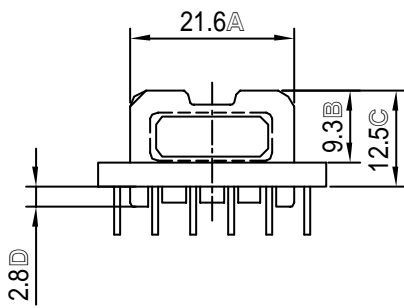
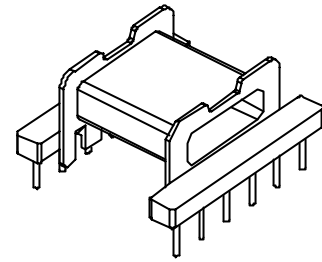
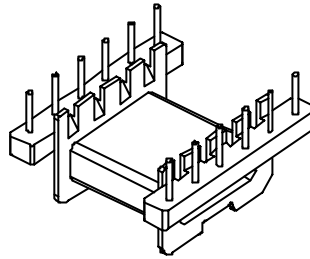
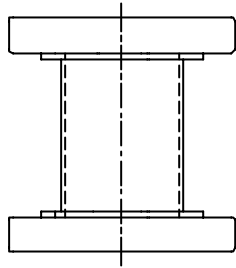
SCALE

1.5/1

UNIT

MM

-D11-EFD30-P02 -



SECTION: B-B

REVISIONS				
ISSUE	SYM	DATE	DRAFTER	CHECKER

NOTE:



樹林企業股份有限公司

TAIWAN SHULIN ENTERPRISE CO., LTD

WEB: www.bobbin.com.tw

e-mail: shulin@bobbin.com.tw

(TAIWAN TAIPEI) TEL: (886)2-2223-1500 FAX: (886)2-2222-4646

(CHINA DONGGUAN) TEL: (86)769-7730-785 FAX: (86)769-7312-387

(CHINA SUZHOU) TEL: (86)512-6621-0580 FAX: (86)512-6621-0685

MODEL

EFD-30-2

MATERIAL

PHENOLIC

UL RATING

UL94V-0

TOLERANCE

PIN MATERIAL

CP WIRE

.X ±0.1

EDITION

1.0

.XX ±0.05

DATE

2003/2/25

PIN PITCH ±0.1

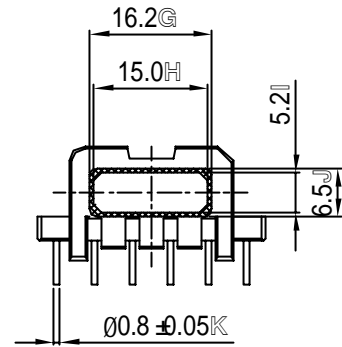
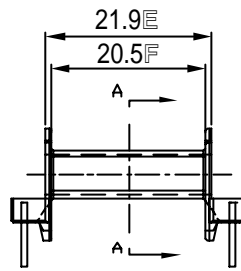
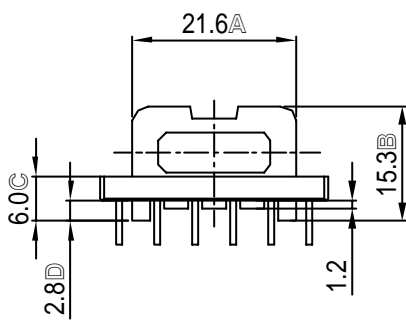
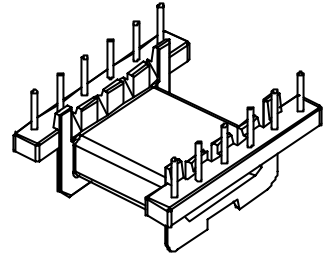
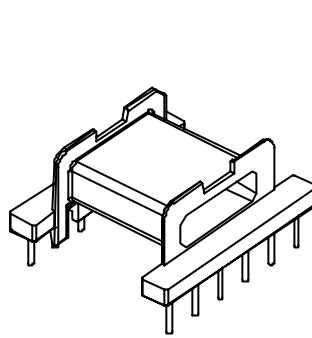
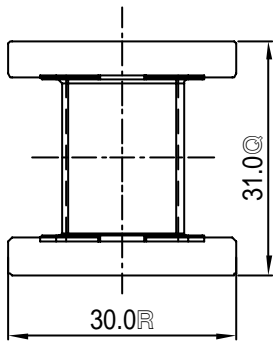
SCALE

1/1

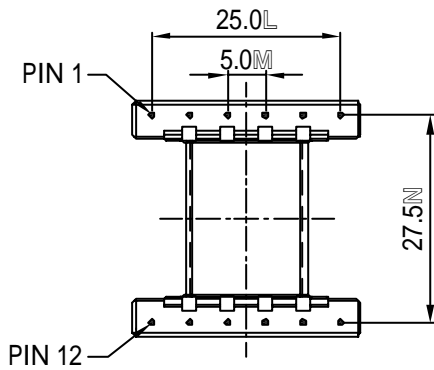
UNIT

MM

-D11-EFD30-P03 -

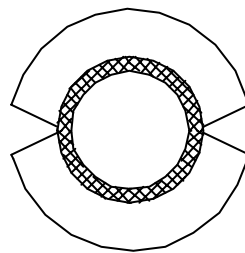
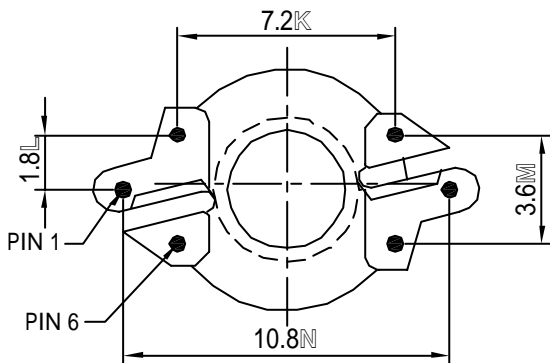
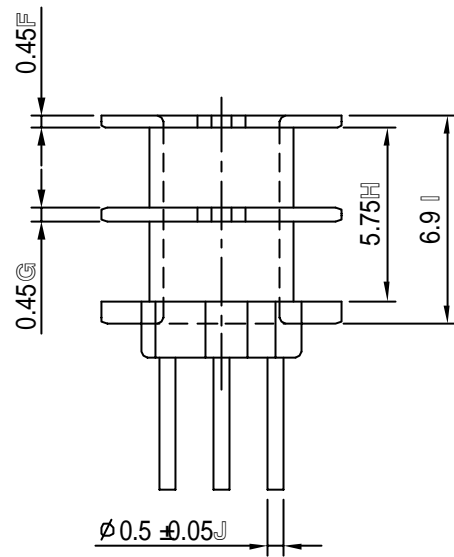
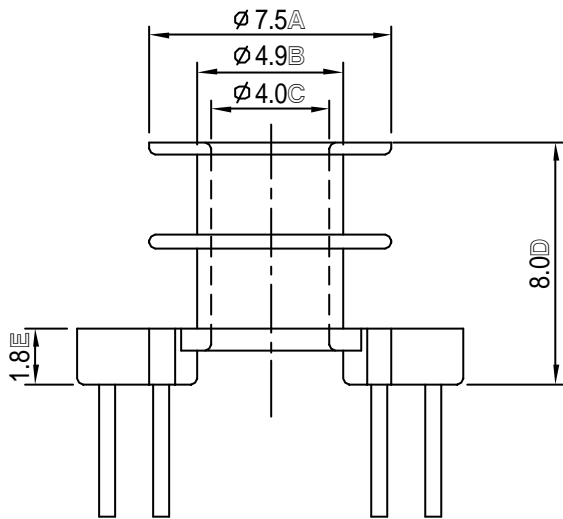
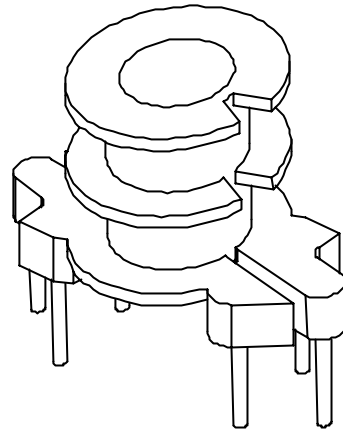
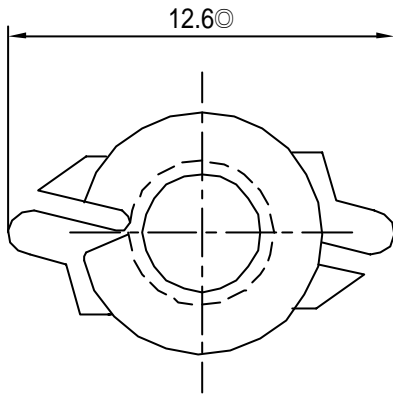


SECTION A-A



REVISIONS				
ISSUE	SYM	DATE	DRAFTER	CHECKER
NOTE:				

 <b>樹林企業股份有限公司</b> TAIWAN SHULIN ENTERPRISE CO., LTD	MODEL		EFD-30-3	
	MATERIAL		PHENOLIC	
WEB: www.bobbin.com.tw	UL RATING	UL94V-0	TOLERANCE .X ±0.2 .XX ±0.15 PIN PITCH ±0.1	
e-mail: shulin@bobbin.com.tw	PIN MATERIAL	CP WIRE		
(TAIWAN TAIPEI) TEL: (886)2-2223-1500 FAX: (886)2-2222-4646	EDITION	1.0		
(CHINA DONGGUAN) TEL: (86)769-7730-785 FAX: (86)769-7312-387	DATE	2003/5/27		
(CHINA SUZHOU) TEL: (86)512-6621-0580 FAX: (86)512-6621-0685	SCALE	1/1	UNIT	MM



REVISIONS				
ISSUE	SYM	DATE	DRAFTER	CHECKER

NOTE:



樹林企業股份有限公司

TAIWAN SHULIN ENTERPRISE CO., LTD

WEB: www.bobbin.com.tw

e-mail: shulin@bobbin.com.tw

(TAIWAN TAIPEI) TEL: (886)2-2223-1500 FAX: (886)2-2222-4646

(CHINA DONGGUAN) TEL: (86)769-7730-785 FAX: (86)769-7312-387

(CHINA SUZHOU) TEL: (86)512-6621-0580 FAX: (86)512-6621-0685

MODEL

RM-4

MATERIAL

PHENOLIC

UL RATING

UL94V-0

TOLERANCE

PIN MATERIAL

CP WIRE

.X  $\pm 0.2$

.XX  $\pm 0.15$

EDITION

2.0

PIN PITCH  $\pm 0.1$

DATE

2002/8/15

SCALE

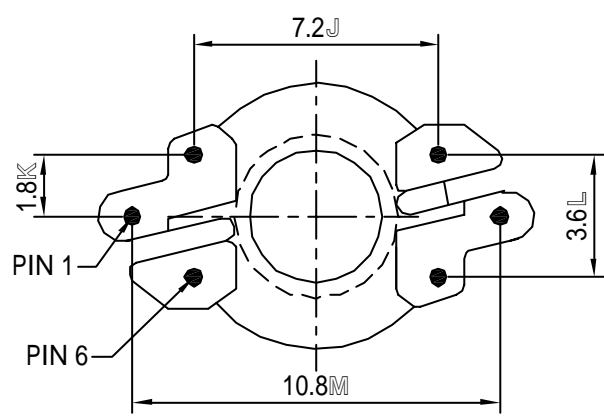
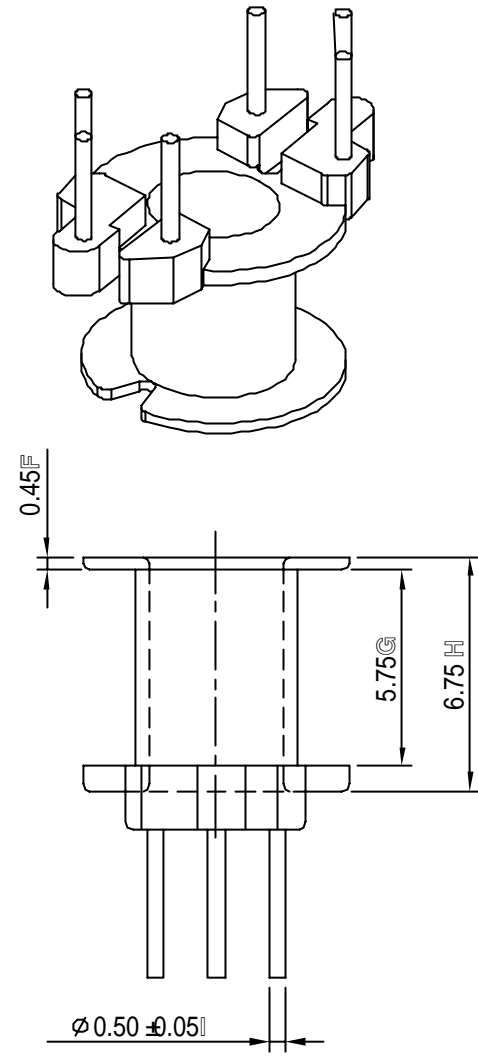
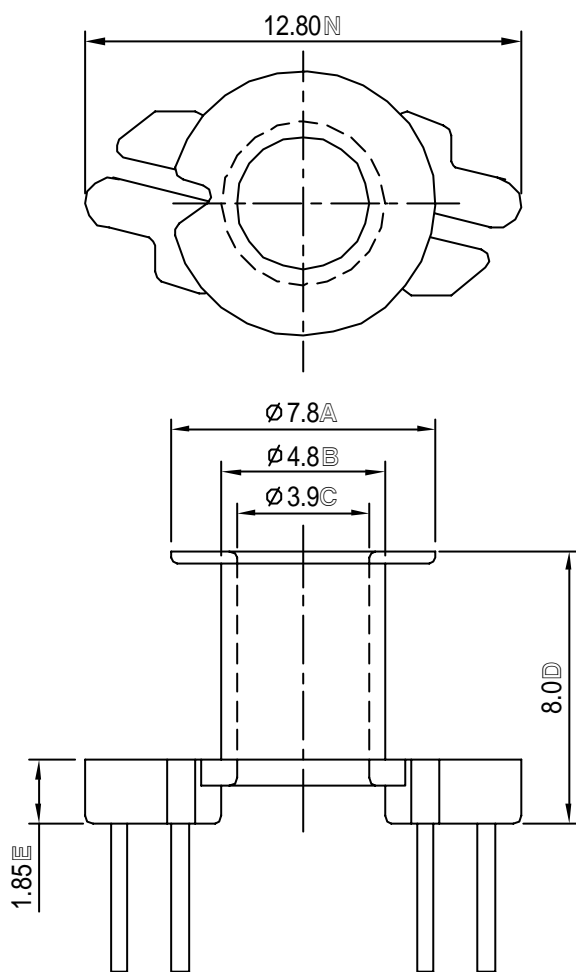
4/1

UNIT

MM

-D4-RM4-P01 -



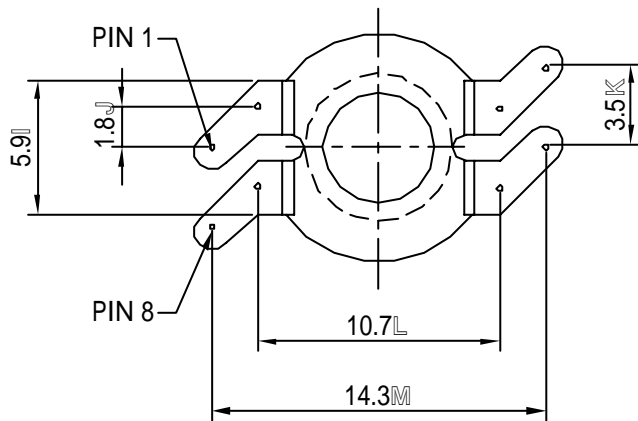
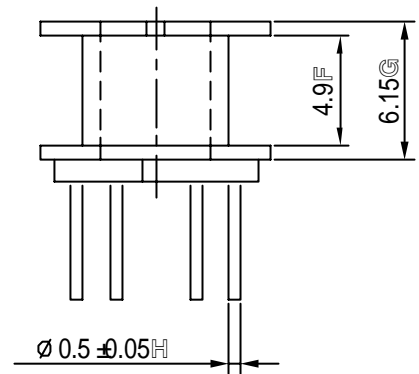
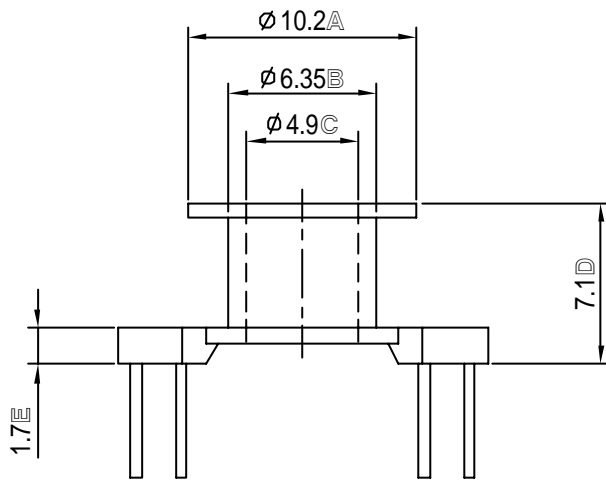
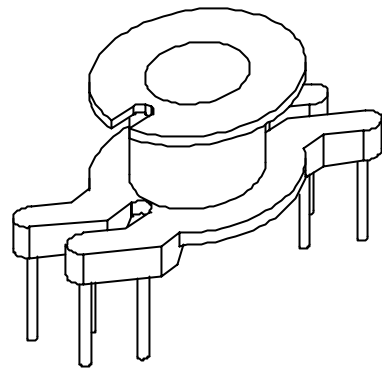
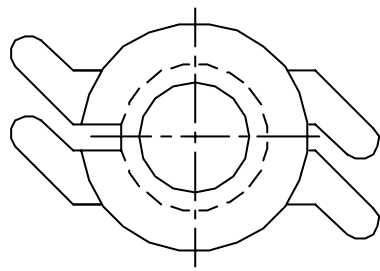


REVISIONS				
ISSUE	SYM	DATE	DRAFTER	CHECKER

NOTE:

 <b>樹林企業股份有限公司</b> TAIWAN SHULIN ENTERPRISE CO., LTD	MODEL		RM-4-1	
	MATERIAL		PHENOLIC	
WEB:www.bobbin.com.tw	UL RATING	UL94V-0	TOLERANCE .X ±0.2 .XX ±0.15 PIN PITCH ±0.1	
e-mail:shulin@bobbin.com.tw	PIN MATERIAL	CP WIRE		
(TAIWAN TAIPEI) TEL:(886)2-2223-1500 FAX:(886)2-2222-4646	EDITION	2.0		
(CHINA DONGGUAN) TEL:(86)769-7730-785 FAX:(86)769-7312-387	DATE	2002/8/15	UNIT	MM
(CHINA SUZHOU) TEL:(86)512-6621-0580 FAX:(86)512-6621-0685	SCALE	4.5/1		

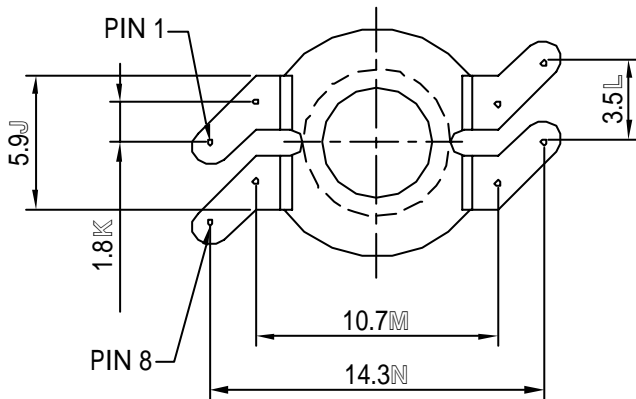
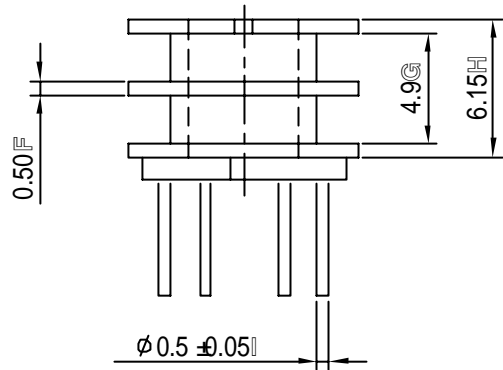
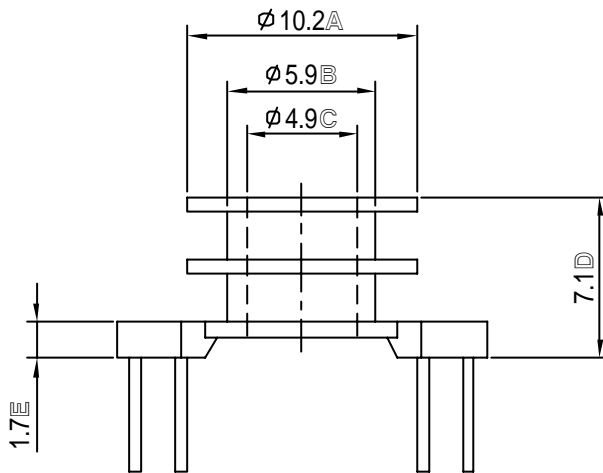
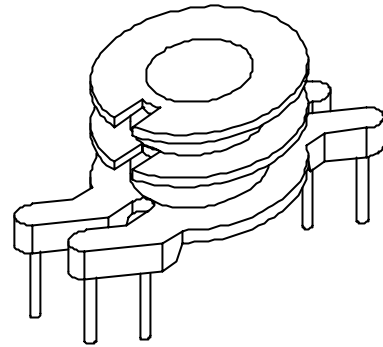
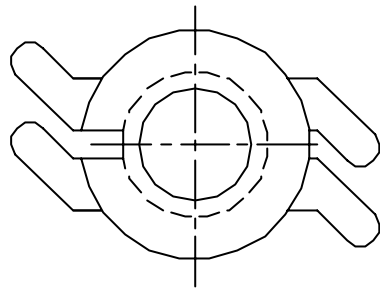
-D4-RM4-P02 -



REVISIONS				
ISSUE	SYM	DATE	DRAFTER	CHECKER
NOTE:				

 <b>樹林企業股份有限公司</b> TAIWAN SHULIN ENTERPRISE CO., LTD	MODEL		RM-5	
	MATERIAL		PHENOLIC	
WEB: www.bobbin.com.tw	UL RATING	UL94V-0	TOLERANCE	
e-mail: shulin@bobbin.com.tw	PIN MATERIAL	CP WIRE		
(TAIWAN TAIPEI) TEL: (886)2-2223-1500 FAX: (886)2-2222-4646	EDITION	2.0		
(CHINA DONGGUAN) TEL: (86)769-7730-785 FAX: (86)769-7312-387	DATE	2002/8/15	.X ±0.2	
(CHINA SUZHOU) TEL: (86)512-6621-0580 FAX: (86)512-6621-0685	SCALE	3/1	.XX ±0.15	
			UNIT	MM

-D4-RM5-P01 -



REVISIONS				
ISSUE	SYM	DATE	DRAFTER	CHECKER

NOTE:



樹林企業股份有限公司

TAIWAN SHULIN ENTERPRISE CO., LTD

MODEL

RM-5-1

MATERIAL

PHENOLIC

WEB:www.bobbin.com.tw

UL RATING

UL94V-0

TOLERANCE

e-mail:shulin@bobbin.com.tw

PIN MATERIAL

CP WIRE

.X  $\pm 0.2$

(TAIWAN TAIPEI) TEL:(886)2-2223-1500 FAX:(886)2-2222-4646

EDITION

2.0

.XX  $\pm 0.15$

(CHINA DONGGUAN) TEL:(86)769-7730-785 FAX:(86)769-7312-387

DATE

2002/8/15

PIN PITCH  $\pm 0.1$

(CHINA SUZHOU) TEL:(86)512-6621-0580 FAX:(86)512-6621-0685

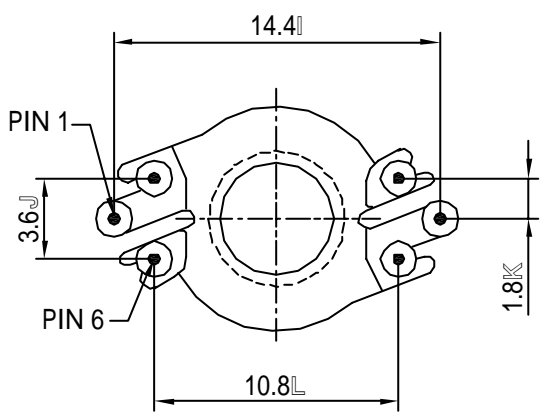
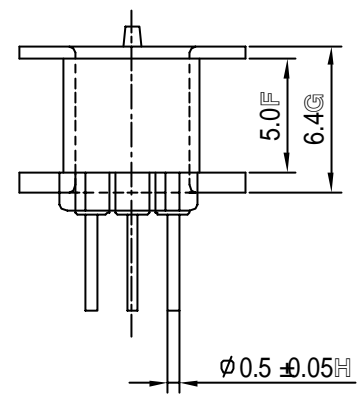
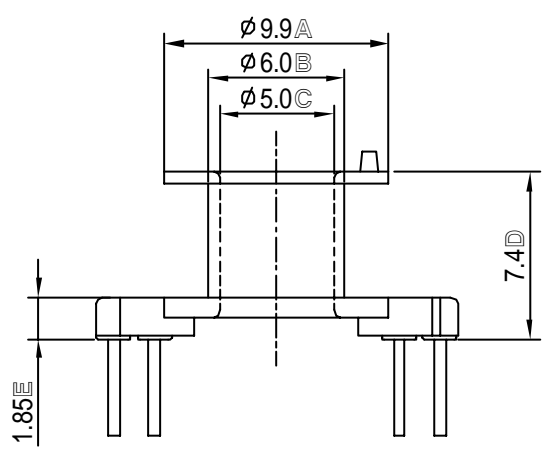
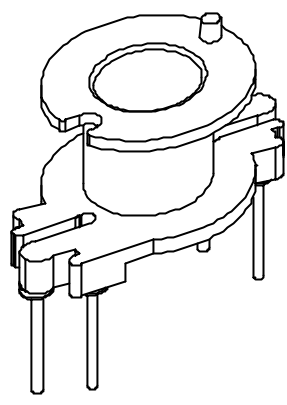
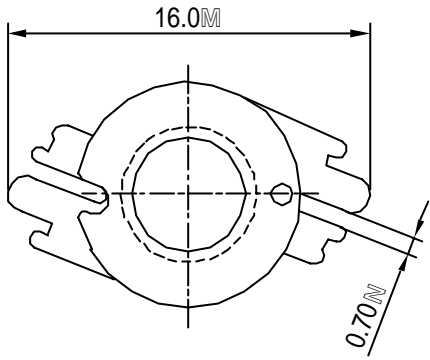
SCALE

3/1

UNIT


MM

-D4-RM5-P02 -

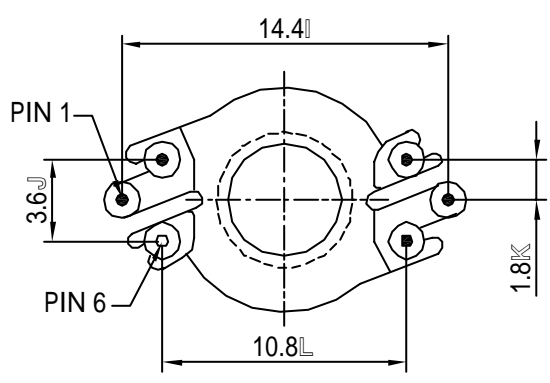
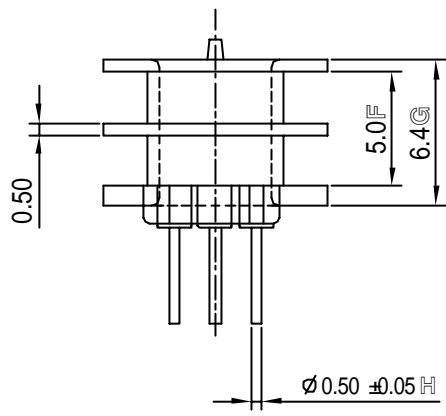
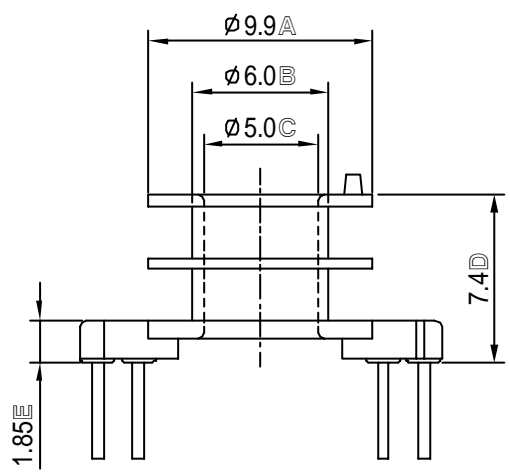
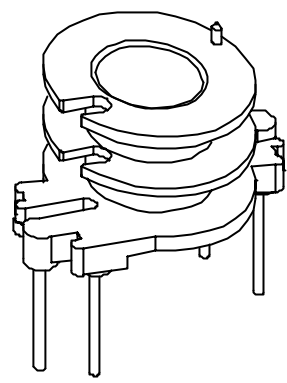
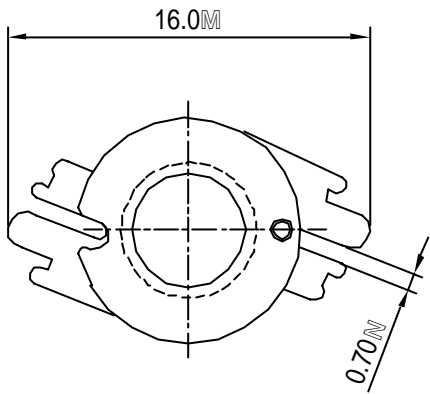


REVISIONS				
ISSUE	SYM	DATE	DRAFTER	CHECKER

NOTE:


 <b>樹林企業股份有限公司</b> TAIWAN SHULIN ENTERPRISE CO., LTD	MODEL	RM-5-2		
	MATERIAL	PHENOLIC		
WEB: <a href="http://www.bobbin.com.tw">www.bobbin.com.tw</a>	UL RATING	UL94V-0	TOLERANCE .X ±0.2 .XX ±0.15 PIN PITCH ±0.1	
e-mail: <a href="mailto:shulin@bobbin.com.tw">shulin@bobbin.com.tw</a>	PIN MATERIAL	CP WIRE		
(TAIWAN TAIPEI) TEL: (886)2-2223-1500 FAX: (886)2-2222-4646	EDITION	2.0		
(CHINA DONGGUAN) TEL: (86)769-7730-785 FAX: (86)769-7312-387	DATE	2002/8/15	UNIT	MM
(CHINA SUZHOU) TEL: (86)512-6621-0580 FAX: (86)512-6621-0685	SCALE	3/1		

-D4-RM5-P03 -

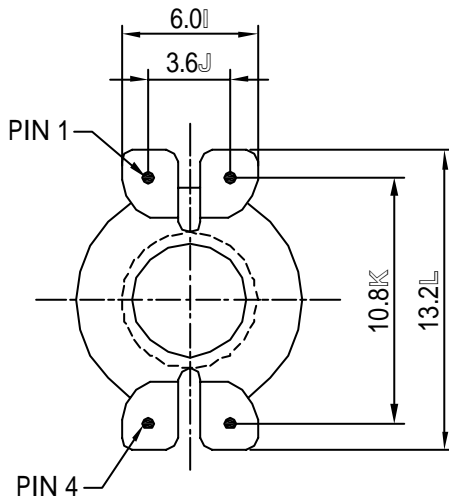
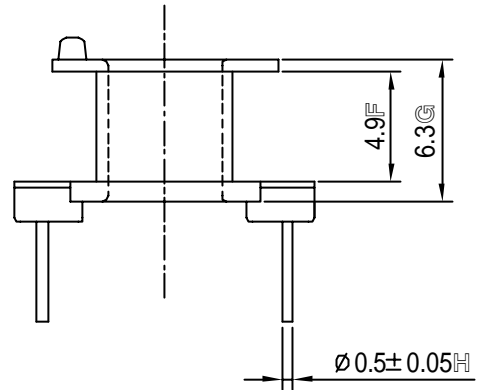
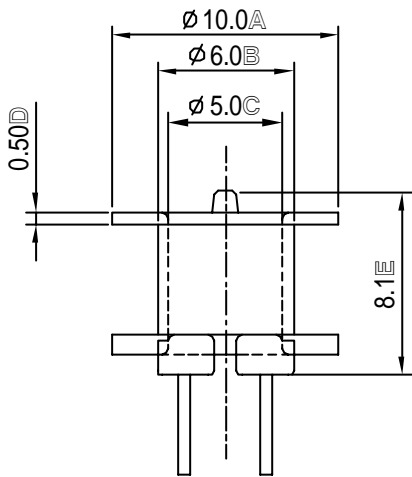
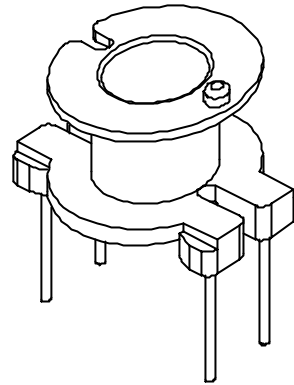
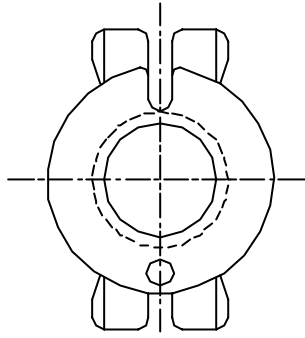


REVISIONS				
ISSUE	SYM	DATE	DRAFTER	CHECKER

NOTE:

 <b>樹林企業股份有限公司</b> TAIWAN SHULIN ENTERPRISE CO., LTD	MODEL		RM-5-3	
	MATERIAL		PHENOLIC	
WEB: <a href="http://www.bobbin.com.tw">www.bobbin.com.tw</a>	UL RATING	UL94V-0	TOLERANCE .X $\pm 0.2$ .XX $\pm 0.15$ PIN PITCH $\pm 0.1$	
e-mail: <a href="mailto:shulin@bobbin.com.tw">shulin@bobbin.com.tw</a>	PIN MATERIAL	CP WIRE		
(TAIWAN TAIPEI) TEL: (886)2-2223-1500 FAX: (886)2-2222-4646	EDITION	2.0		
(CHINA DONGGUAN) TEL: (86)769-7730-785 FAX: (86)769-7312-387	DATE	2002/8/15	UNIT	MM
(CHINA SUZHOU) TEL: (86)512-6621-0580 FAX: (86)512-6621-0685	SCALE	3/1		

-D4-RM5-P04 -



REVISIONS				
ISSUE	SYM	DATE	DRAFTER	CHECKER
NOTE:				



樹林企業股份有限公司

TAIWAN SHULIN ENTERPRISE CO., LTD

WEB: www.bobbin.com.tw

e-mail: shulin@bobbin.com.tw

(TAIWAN TAIPEI) TEL: (886)2-2223-1500 FAX: (886)2-2222-4646

(CHINA DONGGUAN) TEL: (86)769-7730-785 FAX: (86)769-7312-387

(CHINA SUZHOU) TEL: (86)512-6621-0580 FAX: (86)512-6621-0685

MODEL

RM-5-4

MATERIAL

PHENOLIC

UL RATING

UL94V-0

PIN MATERIAL

CP WIRE

EDITION

2.0

DATE

2002/8/15

SCALE

3/1

TOLERANCE

.X  $\pm 0.2$

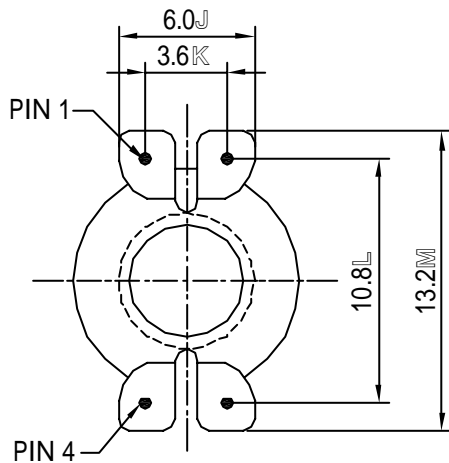
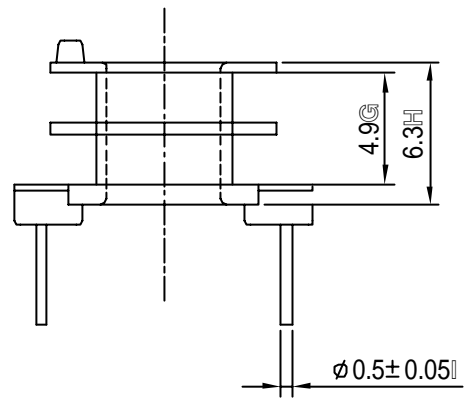
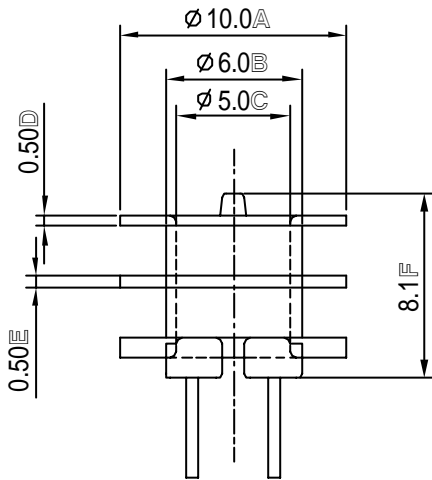
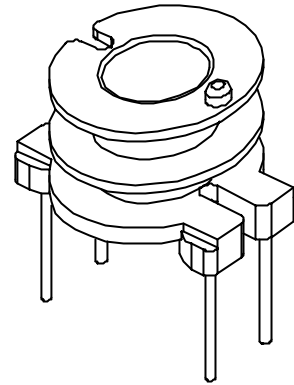
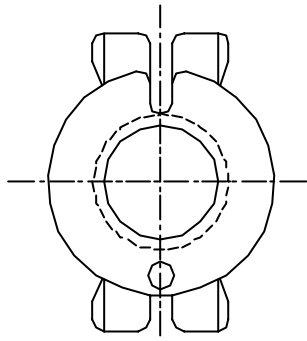
.XX  $\pm 0.15$

PIN PITCH  $\pm 0.1$

UNIT

MM

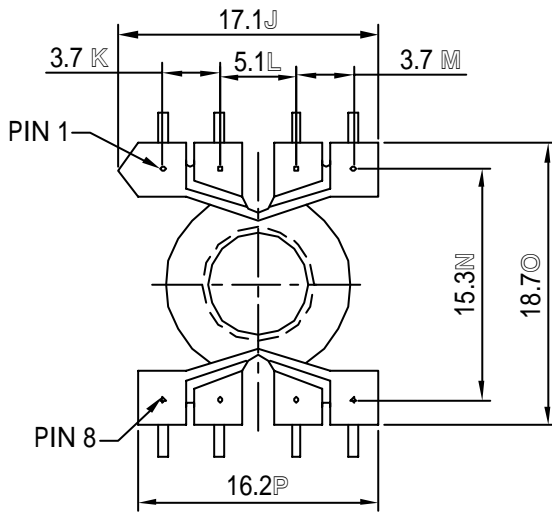
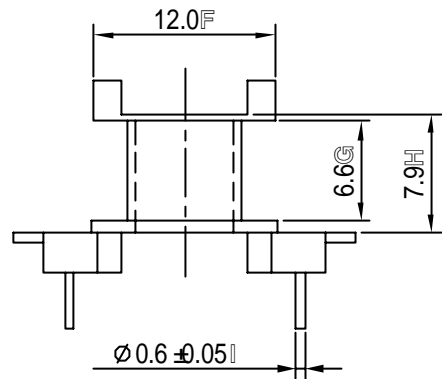
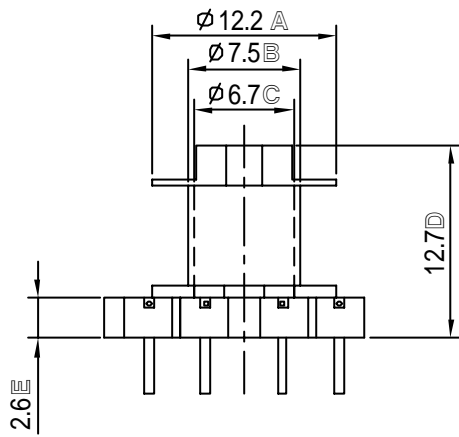
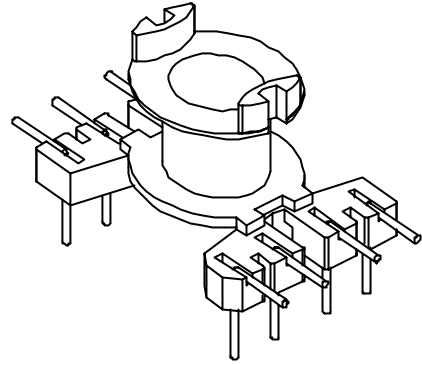
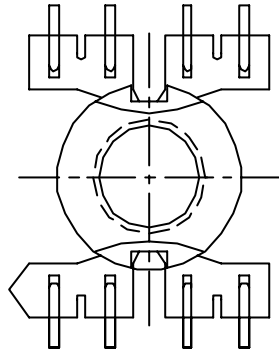
-D4-RM5-P05 -



REVISIONS				
ISSUE	SYM	DATE	DRAFTER	CHECKER
NOTE:				

 <b>樹林企業股份有限公司</b> TAIWAN SHULIN ENTERPRISE CO., LTD	MODEL		RM-5-5	
	MATERIAL		PHENOLIC	
WEB:www.bobbin.com.tw	UL RATING	UL94V-0	TOLERANCE .X ±0.2 .XX ±0.15 PIN PITCH ±0.1	
e-mail:shulin@bobbin.com.tw	PIN MATERIAL	CP WIRE		
(TAIWAN TAIPEI) TEL:(886)2-2223-1500 FAX:(886)2-2222-4646	EDITION	2.0		
(CHINA DONGGUAN) TEL:(86)769-7730-785 FAX:(86)769-7312-387	DATE	2002/8/15	UNIT	MM
(CHINA SUZHOU) TEL:(86)512-6621-0580 FAX:(86)512-6621-0685	SCALE	3/1		

-D4-RM5-P06 -



REVISIONS				
ISSUE	SYM	DATE	DRAFTER	CHECKER
NOTE:				



樹林企業股份有限公司

TAIWAN SHULIN ENTERPRISE CO., LTD

WEB: www.bobbin.com.tw

e-mail: shulin@bobbin.com.tw

(TAIWAN TAIPEI) TEL: (886)2-2223-1500 FAX: (886)2-2222-4646

(CHINA DONGGUAN) TEL: (86)769-7730-785 FAX: (86)769-7312-387

(CHINA SUZHOU) TEL: (86)512-6621-0580 FAX: (86)512-6621-0685

MODEL

RM-6-1

MATERIAL

PET

UL RATING

UL94V-0

TOLERANCE

PIN MATERIAL

CP WIRE

.X  $\pm 0.2$

EDITION

2.0

.XX  $\pm 0.15$

DATE

2002/8/15

PIN PITCH  $\pm 0.1$

SCALE

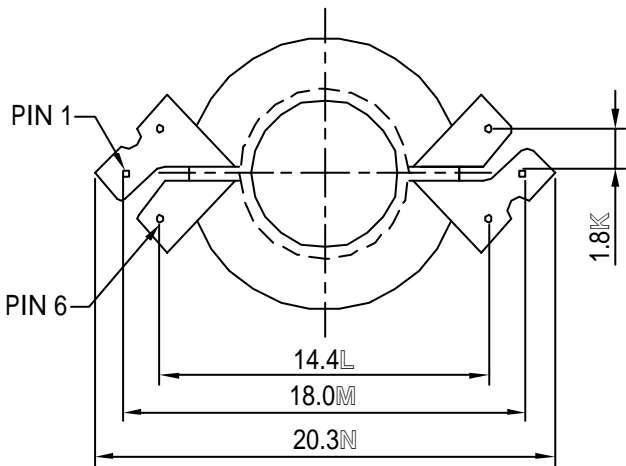
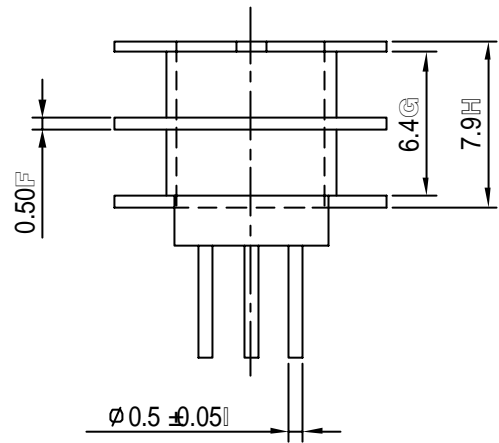
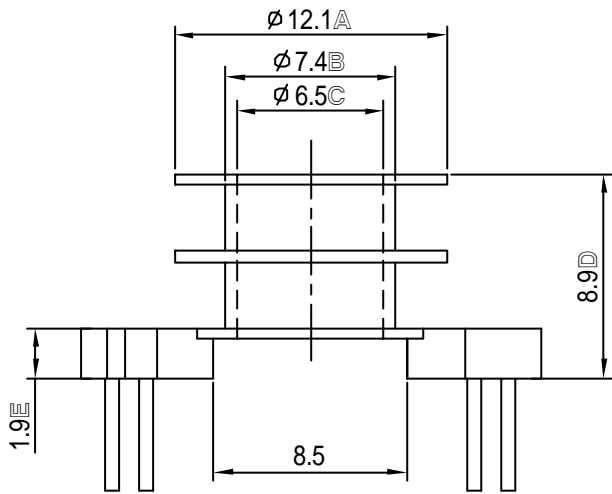
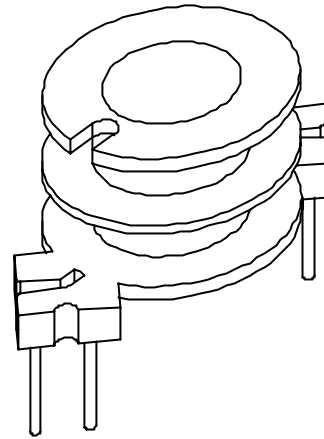
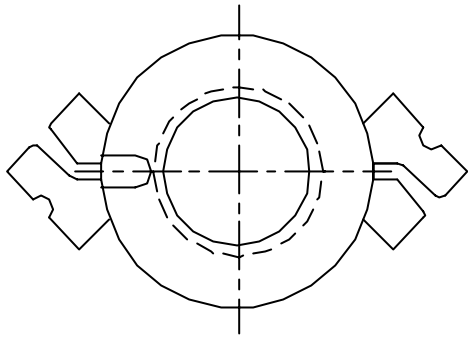
2/1

UNIT

MM

-D4-RM6-P01 -



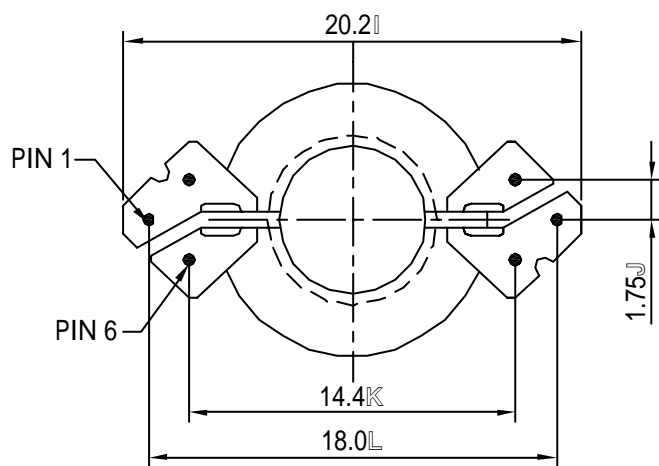
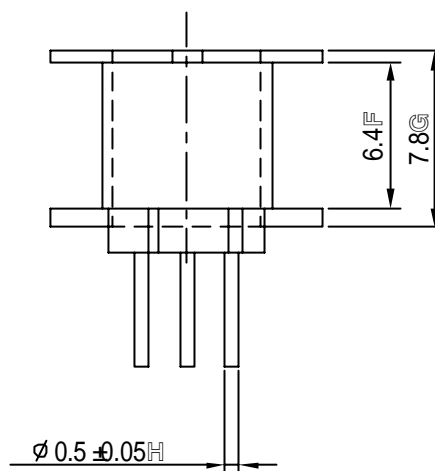
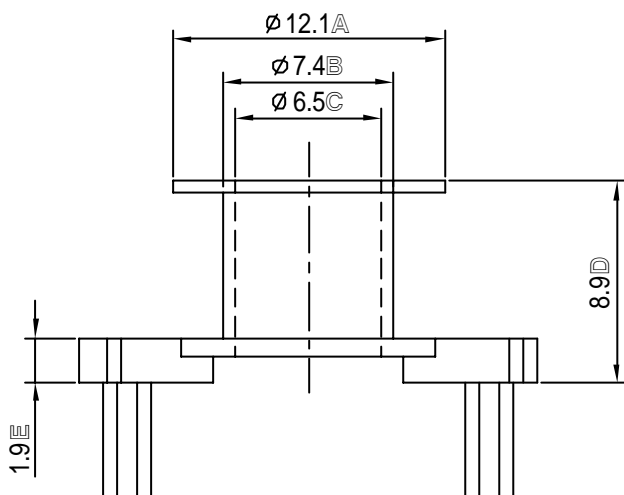
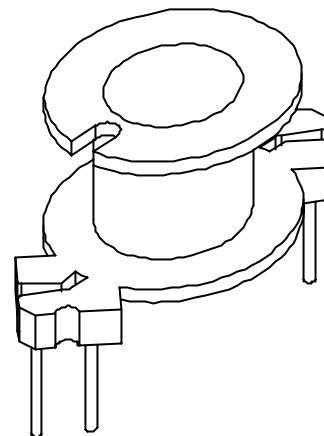
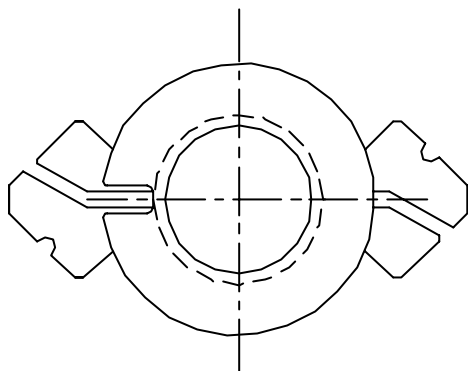


REVISIONS				
ISSUE	SYM	DATE	DRAFTER	CHECKER

NOTE:

 <b>樹林企業股份有限公司</b> TAIWAN SHULIN ENTERPRISE CO., LTD	MODEL		RM-6-2	
	MATERIAL		PHENOLIC	
WEB: www.bobbin.com.tw	UL RATING	UL94V-0	TOLERANCE .X $\pm 0.2$ .XX $\pm 0.15$ PIN PITCH $\pm 0.1$	
e-mail: shulin@bobbin.com.tw	PIN MATERIAL	CP WIRE		
(TAIWAN TAIPEI) TEL: (886)2-2223-1500 FAX: (886)2-2222-4646	EDITION	2.0		
(CHINA DONGGUAN) TEL: (86)769-7730-785 FAX: (86)769-7312-387	DATE	2002/8/15	UNIT	MM
(CHINA SUZHOU) TEL: (86)512-6621-0580 FAX: (86)512-6621-0685	SCALE	3/1		

-D4-RM6-P02 -



REVISIONS				
ISSUE	SYM	DATE	DRAFTER	CHECKER

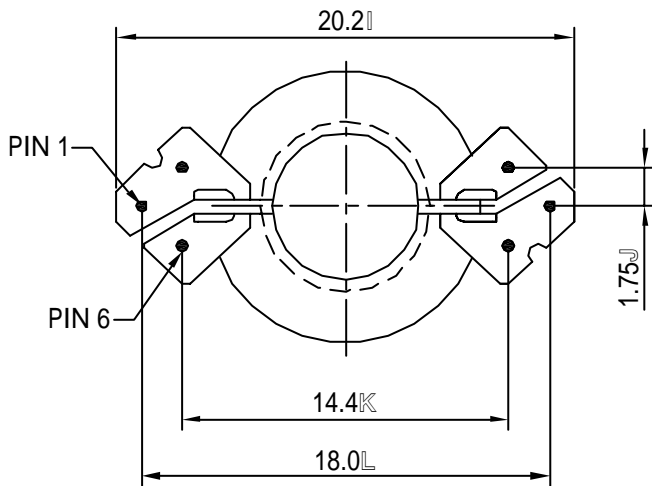
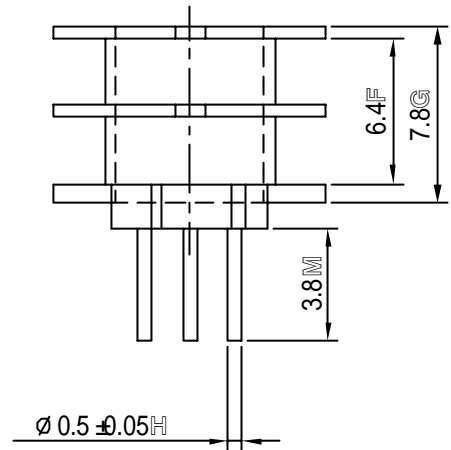
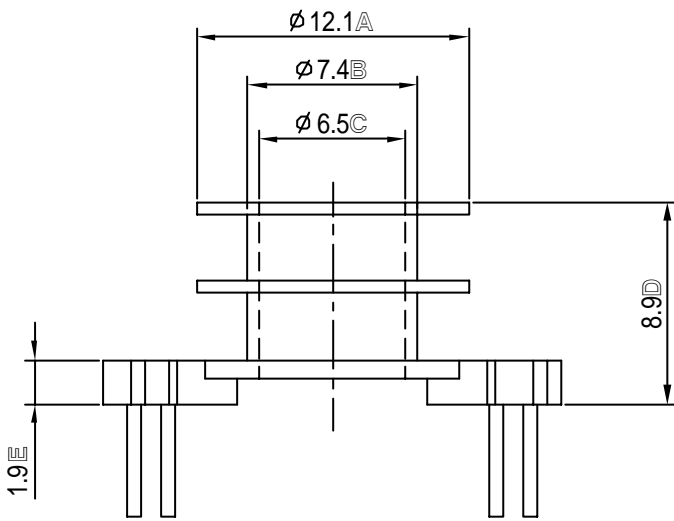
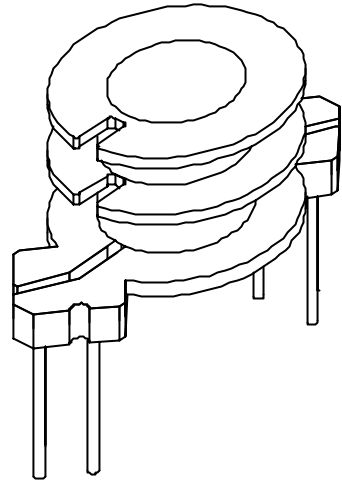
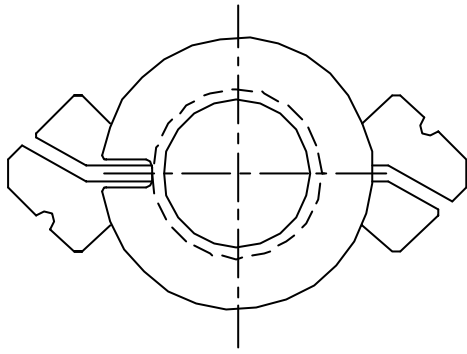
NOTE:


**樹林企業股份有限公司**  
 TAIWAN SHULIN ENTERPRISE CO., LTD

MODEL	RM-6-3
MATERIAL	PHENOLIC

WEB: <a href="http://www.bobbin.com.tw">www.bobbin.com.tw</a>	UL RATING	UL94V-0	TOLERANCE .X $\pm 0.2$ .XX $\pm 0.15$ PIN PITCH $\pm 0.1$	
e-mail: <a href="mailto:shulin@bobbin.com.tw">shulin@bobbin.com.tw</a>	PIN MATERIAL	CP WIRE		
(TAIWAN TAIPEI) TEL: (886)2-2223-1500 FAX: (886)2-2222-4646	EDITION	2.0		
(CHINA DONGGUAN) TEL: (86)769-7730-785 FAX: (86)769-7312-387	DATE	2002/8/15		
(CHINA SUZHOU) TEL: (86)512-6621-0580 FAX: (86)512-6621-0685	SCALE	3/1	UNIT	MM

-D4-RM6-P03 -



REVISIONS				
ISSUE	SYM	DATE	DRAFTER	CHECKER

NOTE:



樹林企業股份有限公司

TAIWAN SHULIN ENTERPRISE CO., LTD

WEB: www.bobbin.com.tw

e-mail: shulin@bobbin.com.tw

(TAIWAN TAIPEI) TEL: (886)2-2223-1500 FAX: (886)2-2222-4646

(CHINA DONGGUAN) TEL: (86)769-7730-785 FAX: (86)769-7312-387

(CHINA SUZHOU) TEL: (86)512-6621-0580 FAX: (86)512-6621-0685

MODEL

RM-6-4

MATERIAL

PHENOLIC

UL RATING

UL94V-0

PIN MATERIAL

CP WIRE

EDITION

2.0

DATE

2002/8/15

SCALE

3/1

TOLERANCE

.X  $\pm 0.2$

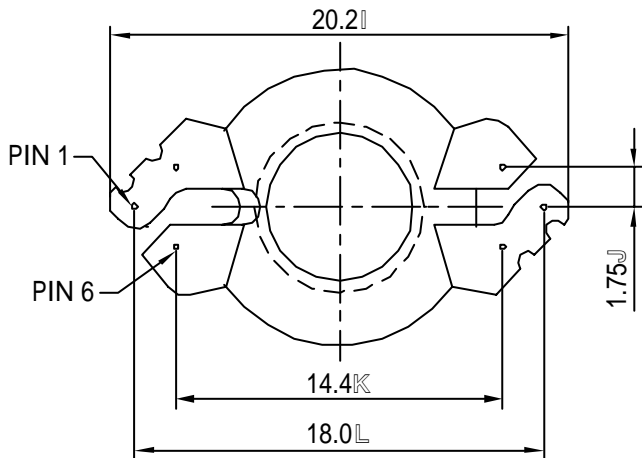
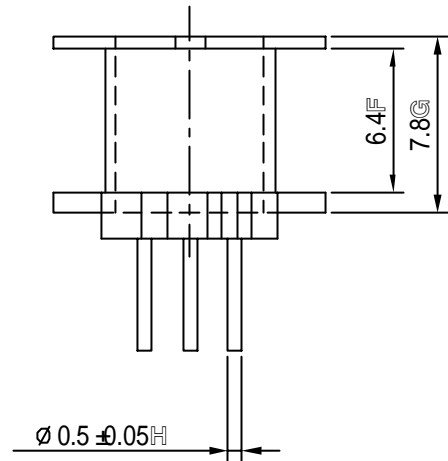
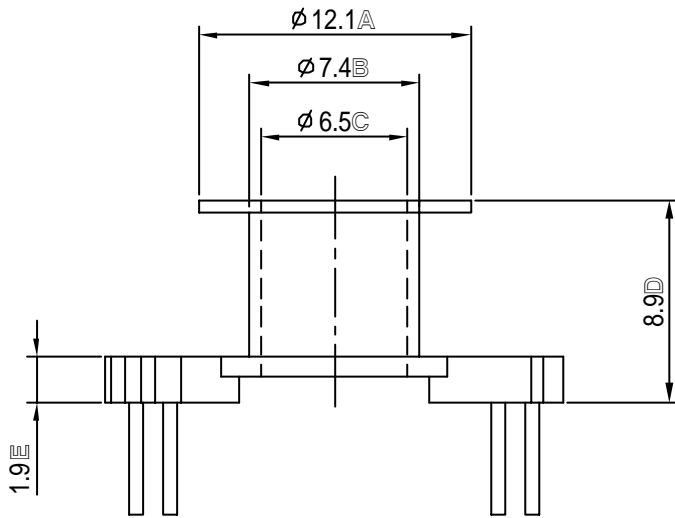
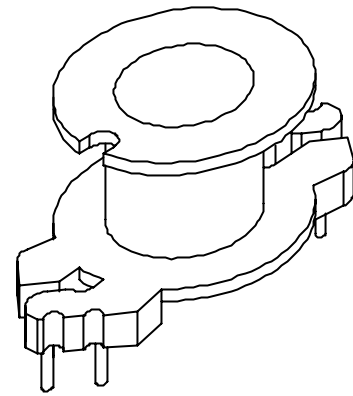
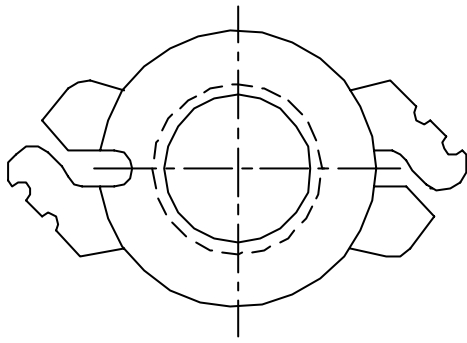
.XX  $\pm 0.15$

PIN PITCH  $\pm 0.1$

UNIT

MM

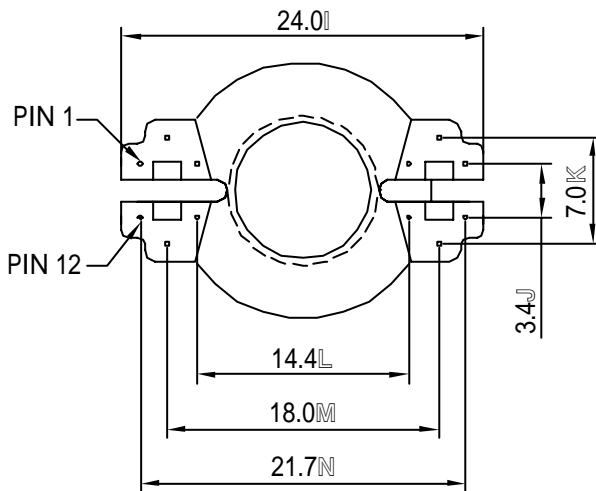
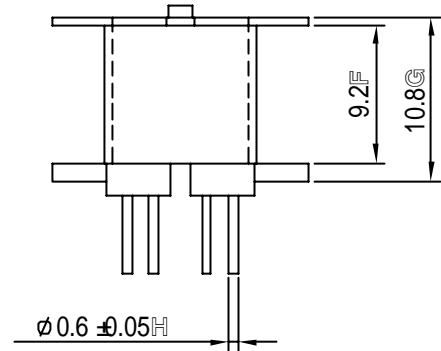
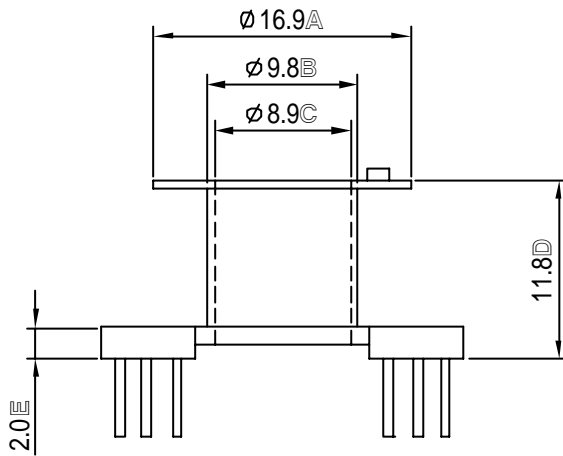
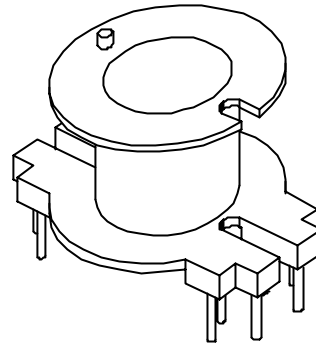
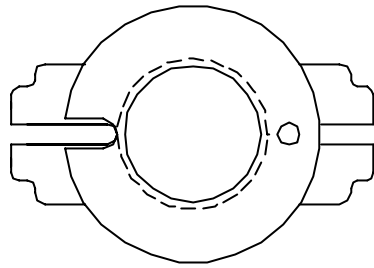
-D4-RM6-P04 -



REVISIONS				
ISSUE	SYM	DATE	DRAFTER	CHECKER
NOTE:				

 <b>樹林企業股份有限公司</b> TAIWAN SHULIN ENTERPRISE CO., LTD	MODEL		RM-6-5	
	MATERIAL		PHENOLIC	
WEB: <a href="http://www.bobbin.com.tw">www.bobbin.com.tw</a>	UL RATING	UL94V-0	TOLERANCE .X $\pm 0.2$ .XX $\pm 0.15$ PIN PITCH $\pm 0.1$	
e-mail: <a href="mailto:shulin@bobbin.com.tw">shulin@bobbin.com.tw</a>	PIN MATERIAL	CP WIRE		
(TAIWAN TAIPEI) TEL: (886)2-2223-1500 FAX: (886)2-2222-4646	EDITION	2.0		
(CHINA DONGGUAN) TEL: (86)769-7730-785 FAX: (86)769-7312-387	DATE	2002/8/15	UNIT	MM
(CHINA SUZHOU) TEL: (86)512-6621-0580 FAX: (86)512-6621-0685	SCALE	3/1		

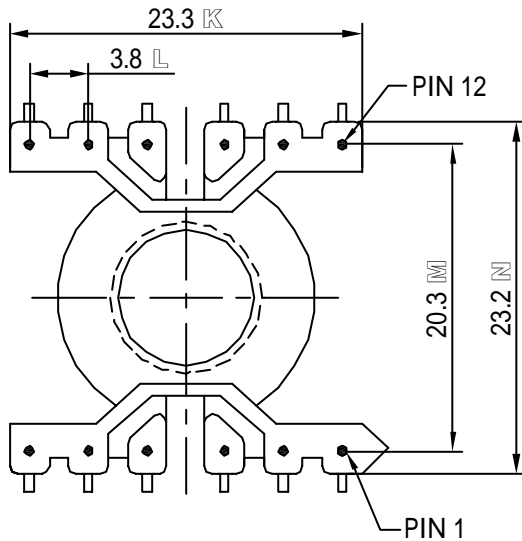
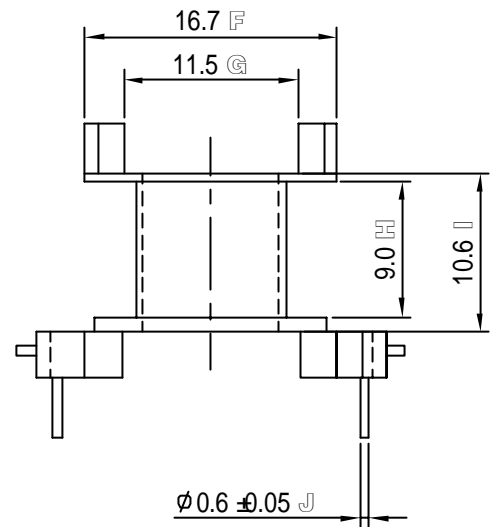
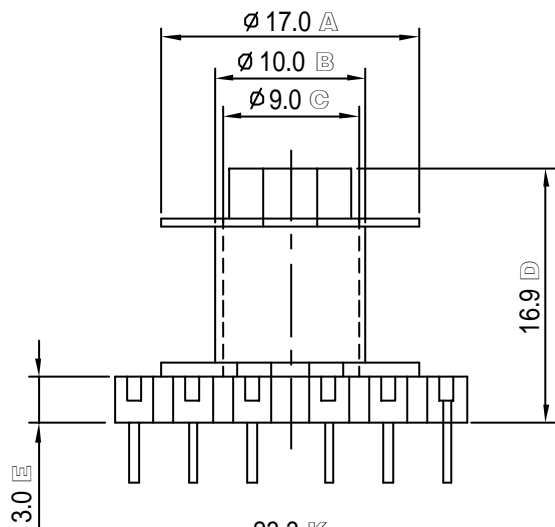
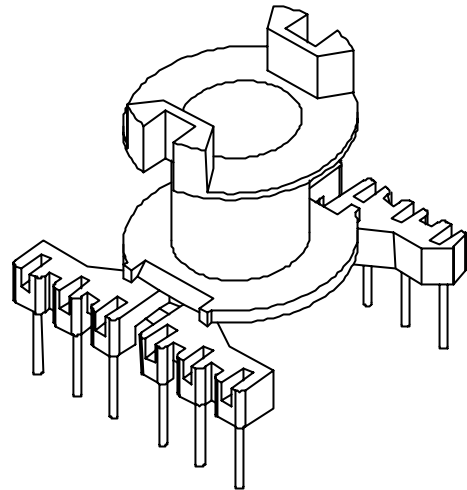
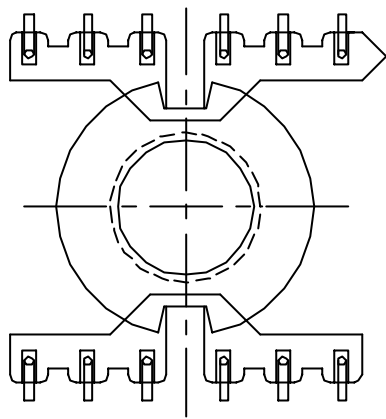
- D4-RM6-P05 -



REVISIONS				
ISSUE	SYM	DATE	DRAFTER	CHECKER
NOTE:				

 <b>樹林企業股份有限公司</b> TAIWAN SHULIN ENTERPRISE CO., LTD	MODEL		RM-8	
	MATERIAL		PHENOLIC	
WEB:www.bobbin.com.tw	UL RATING	UL94V-0	TOLERANCE .X ±0.2 .XX ±0.15 PIN PITCH ±0.1	
e-mail:shulin@bobbin.com.tw	PIN MATERIAL	CP WIRE		
(TAIWAN TAIPEI) TEL:(886)2-2223-1500 FAX:(886)2-2222-4646	EDITION	2.0		
(CHINA DONGGUAN) TEL:(86)769-7730-785 FAX:(86)769-7312-387	DATE	2002/8/15		
(CHINA SUZHOU) TEL:(86)512-6621-0580 FAX:(86)512-6621-0685	SCALE	2/1	UNIT	MM

-D4-RM8-P01 -



REVISIONS				
ISSUE	SYM	DATE	DRAFTER	CHECKER
NOTE:				



樹林企業股份有限公司

TAIWAN SHULIN ENTERPRISE CO., LTD

MODEL

RM-8-1

MATERIAL

PET

WEB: www.bobbin.com.tw

UL RATING

UL94V-0

TOLERANCE

e-mail: shulin@bobbin.com.tw

PIN MATERIAL

CP WIRE

.X  $\pm 0.2$

(TAIWAN TAIPEI) TEL: (886)2-2223-1500 FAX: (886)2-2222-4646

EDITION

2.0

.XX  $\pm 0.15$

(CHINA DONGGUAN) TEL: (86)769-7730-785 FAX: (86)769-7312-387

DATE

2002/8/15

PIN PITCH  $\pm 0.1$

(CHINA SUZHOU) TEL: (86)512-6621-0580 FAX: (86)512-6621-0685

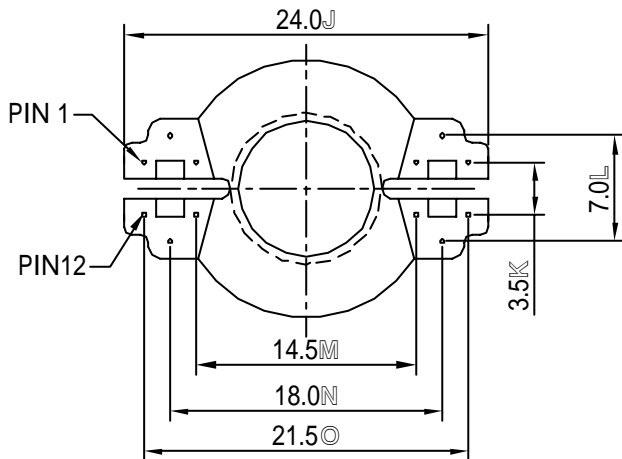
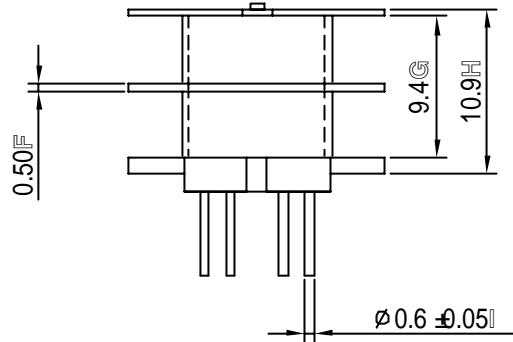
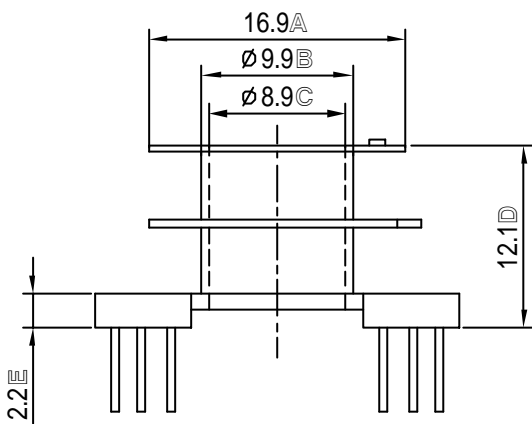
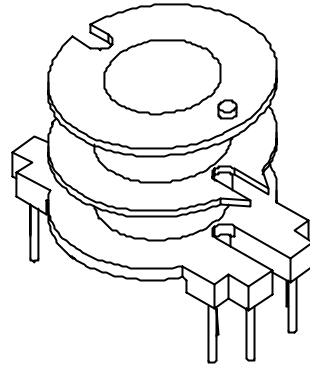
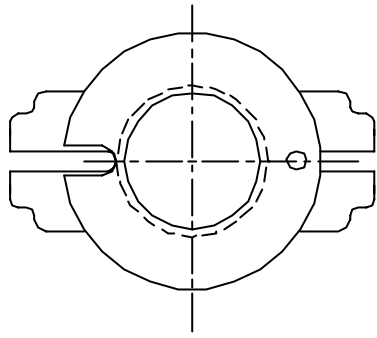
SCALE

2/1

UNIT

MM

-D4-RM8-P02-



REVISIONS				
ISSUE	SYM	DATE	DRAFTER	CHECKER

NOTE:



樹林企業股份有限公司

TAIWAN SHULIN ENTERPRISE CO., LTD

WEB:www.bobbin.com.tw

e-mail:shulin@bobbin.com.tw

(TAIWAN TAIPEI) TEL:(886)2-2223-1500 FAX:(886)2-2222-4646

(CHINA DONGGUAN) TEL:(86)769-7730-785 FAX:(86)769-7312-387

(CHINA SUZHOU) TEL:(86)512-6621-0580 FAX:(86)512-6621-0685

MODEL

RM-8-2

MATERIAL

PHENOLIC

UL RATING

UL94V-0

PIN MATERIAL

CP WIRE

EDITION

2.0

DATE

2002/8/15

SCALE

2/1

TOLERANCE

.X ±0.2

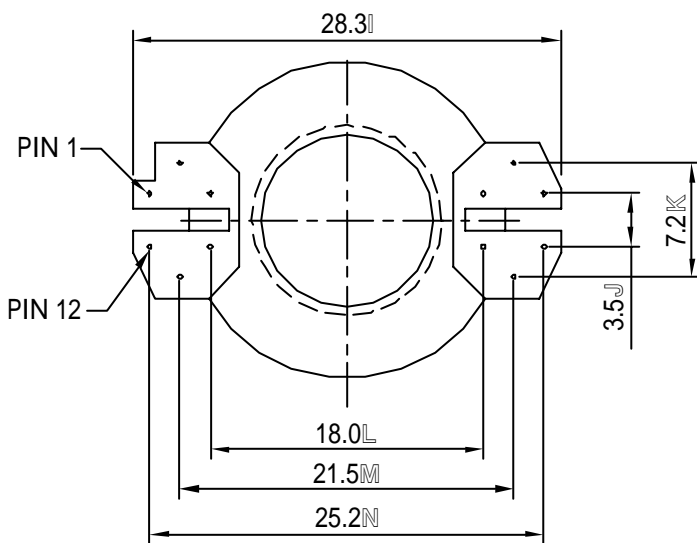
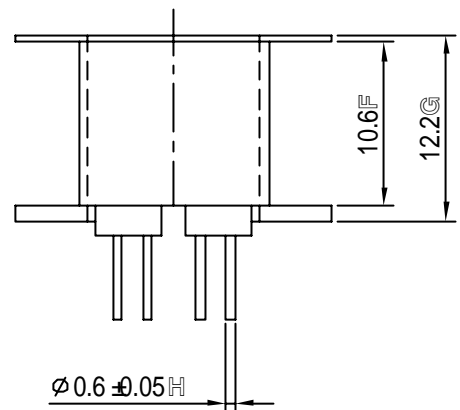
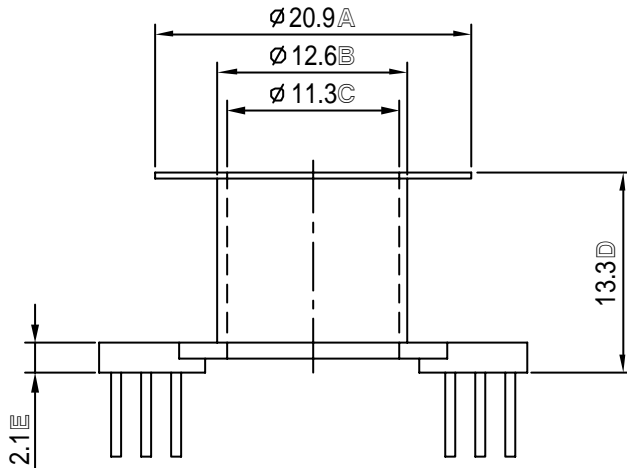
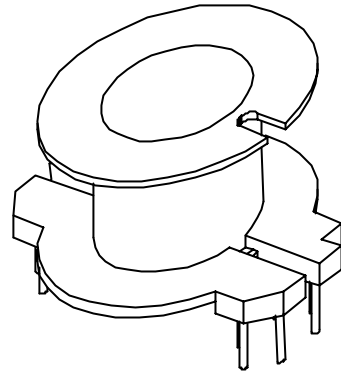
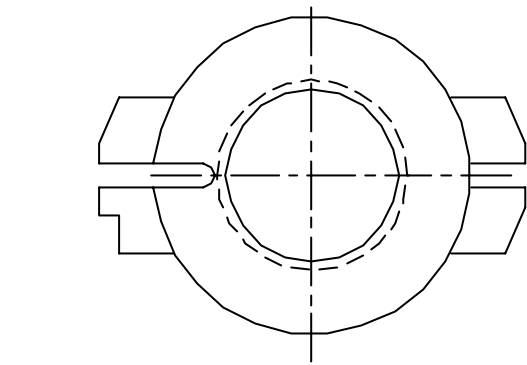
.XX ±0.15

PIN PITCH ±0.1

UNIT

MM

-D4-RM8-P03 -



REVISIONS				
ISSUE	SYM	DATE	DRAFTER	CHECKER

NOTE:



**樹林企業股份有限公司**  
TAIWAN SHULIN ENTERPRISE CO., LTD

WEB: www.bobbin.com.tw

e-mail: shulin@bobbin.com.tw

(TAIWAN TAIPEI) TEL: (886)2-2223-1500 FAX: (886)2-2222-4646

(CHINA DONGGUAN) TEL: (86)769-7730-785 FAX: (86)769-7312-387

(CHINA SUZHOU) TEL: (86)512-6621-0580 FAX: (86)512-6621-0685

MODEL

RM-10

MATERIAL

PHENOLIC

UL RATING

UL94V-0

PIN MATERIAL

CP WIRE

EDITION

2.0

DATE

2002/8/15

SCALE

2/1

TOLERANCE

.X ±0.2

.XX ±0.15

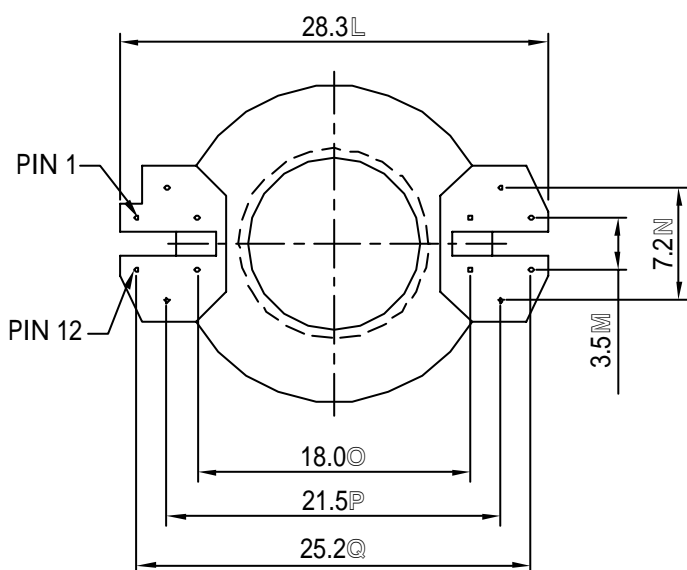
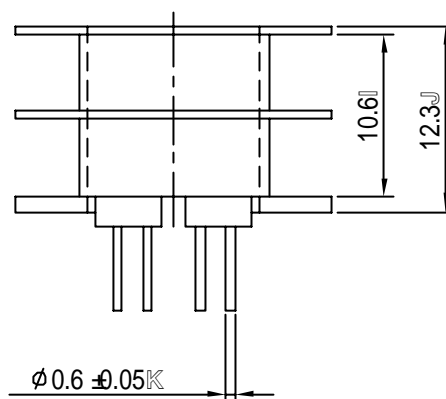
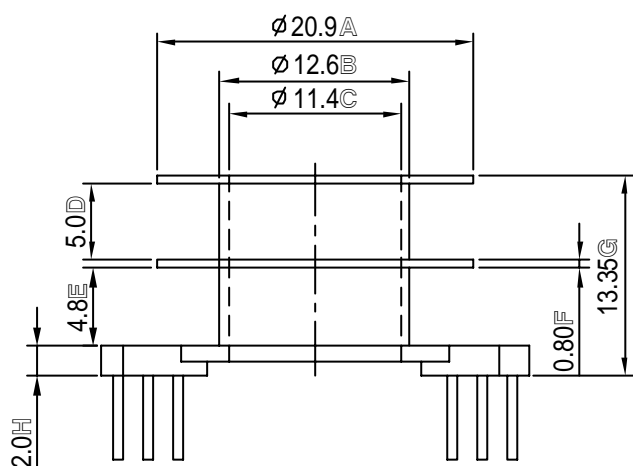
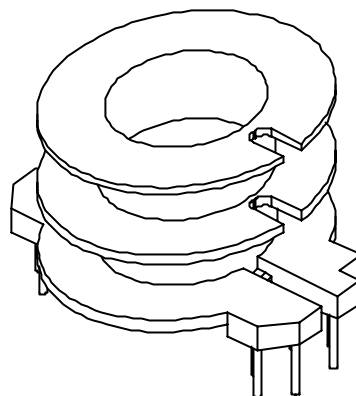
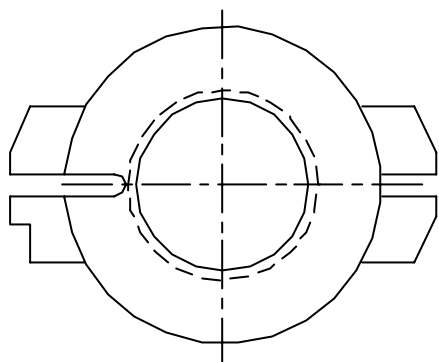
PIN PITCH ±0.1

UNIT

MM

-D4-RM10-P01 -

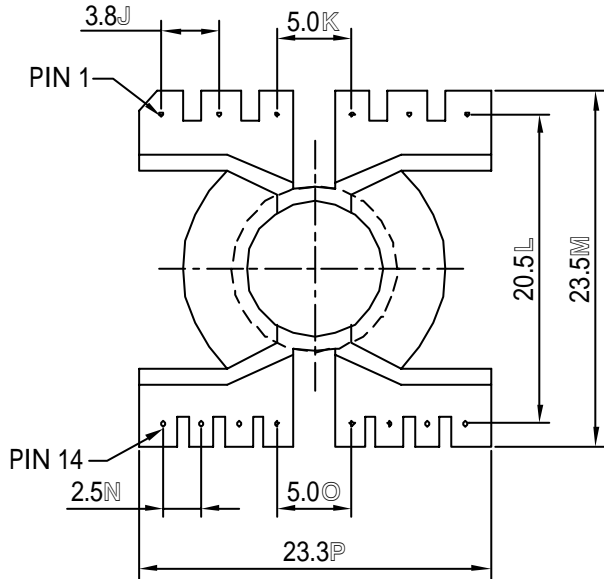
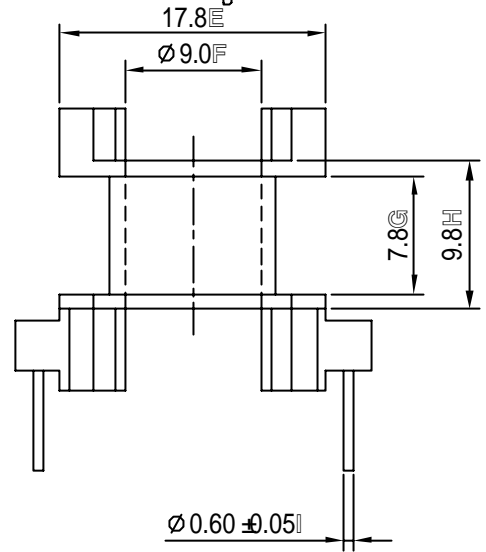
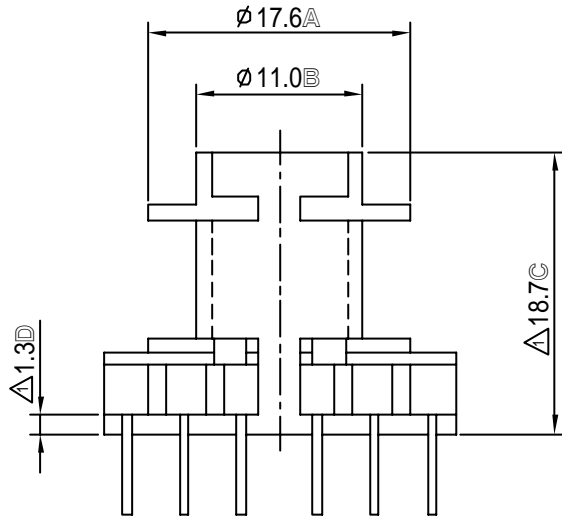
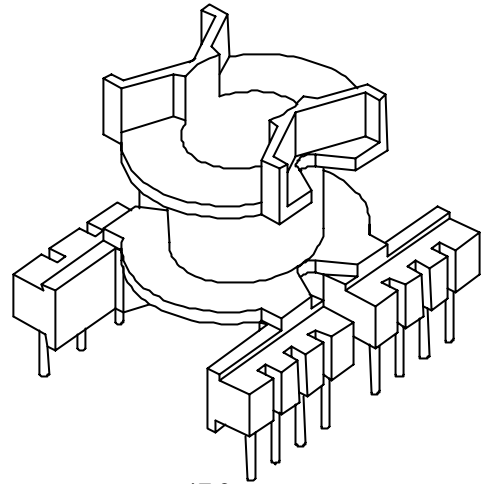




REVISIONS				
ISSUE	SYM	DATE	DRAFTER	CHECKER
NOTE:				

 <b>樹林企業股份有限公司</b> TAIWAN SHULIN ENTERPRISE CO., LTD	MODEL		RM-10-1	
	MATERIAL		PHENOLIC	
WEB:www.bobbin.com.tw	UL RATING	UL94V-0	TOLERANCE  .X $\pm 0.2$ .XX $\pm 0.15$ PIN PITCH $\pm 0.1$	
e-mail:shulin@bobbin.com.tw	PIN MATERIAL	CP WIRE		
(TAIWAN TAIPEI) TEL:(886)2-2223-1500 FAX:(886)2-2222-4646	EDITION	2.0		
(CHINA DONGGUAN) TEL:(86)769-7730-785 FAX:(86)769-7312-387	DATE	2002/8/15		
(CHINA SUZHOU) TEL:(86)512-6621-0580 FAX:(86)512-6621-0685	SCALE	2/1	UNIT	MM

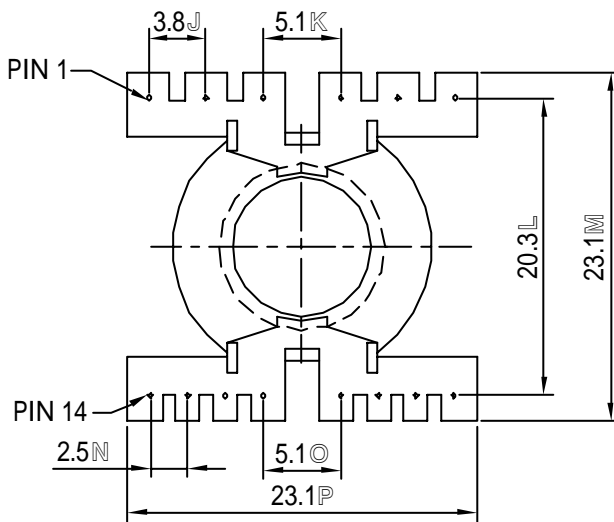
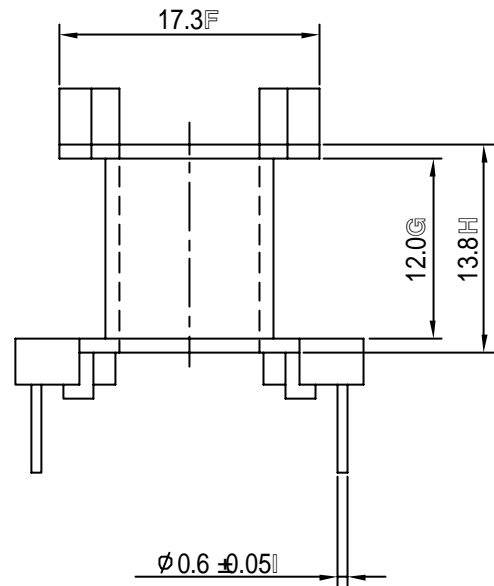
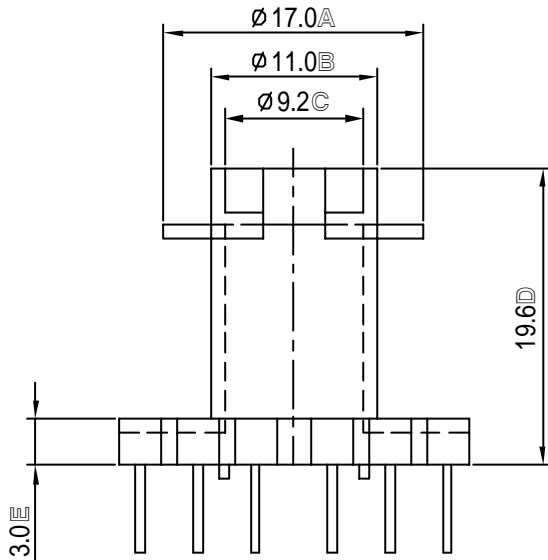
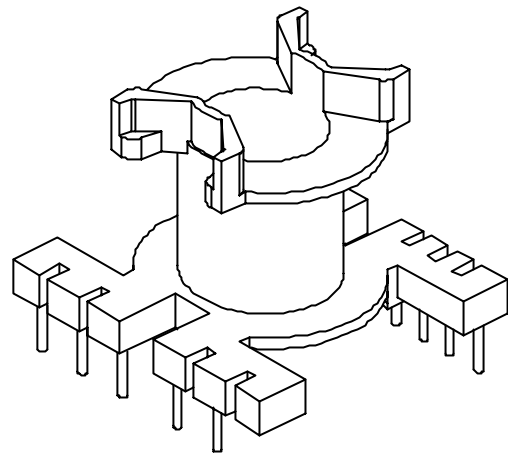
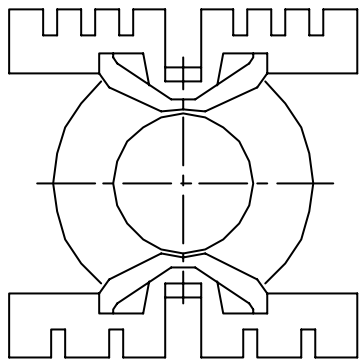
-D4-RM10-P02 -



REVISIONS				
ISSUE	SYM	DATE	DRAFTER	CHECKER
1.	$\Delta$	2003/5/13	LI HUA HONG	C.H.WANG
NOTE:				

 <b>樹林企業股份有限公司</b> TAIWAN SHULIN ENTERPRISE CO., LTD	MODEL		PQ-2016	
	MATERIAL		PHENOLIC	
WEB:www.bobbin.com.tw	UL RATING	UL94V-0	TOLERANCE .X $\pm 0.2$ .XX $\pm 0.15$ PIN PITCH $\pm 0.1$	
e-mail:shulin@bobbin.com.tw	PIN MATERIAL	CP WIRE		
(TAIWAN TAIPEI) TEL:(886)2-2223-1500 FAX:(886)2-2222-4646	EDITION	2.0A		
(CHINA DONGGUAN) TEL:(86)769-7730-785 FAX:(86)769-7312-387	DATE	2003/5/13	UNIT	MM
(CHINA SUZHOU) TEL:(86)512-6621-0580 FAX:(86)512-6621-0685	SCALE	2/1		

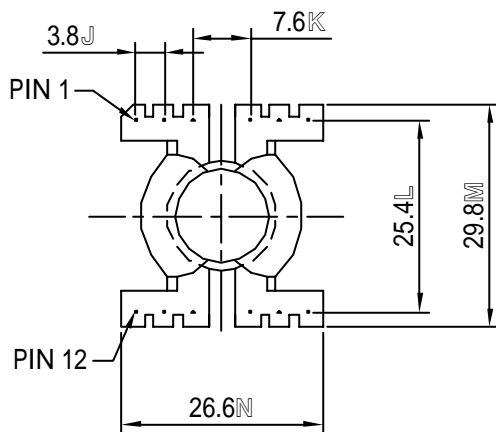
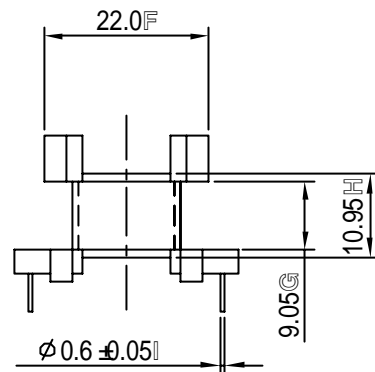
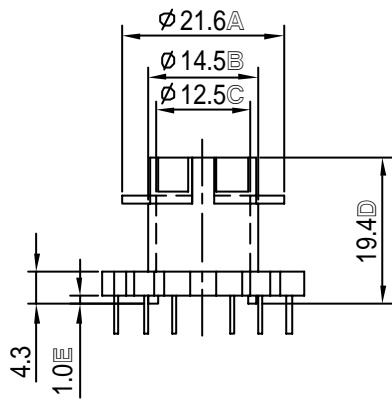
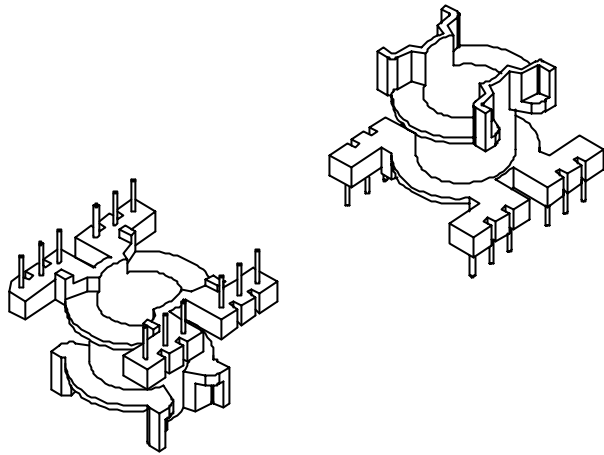
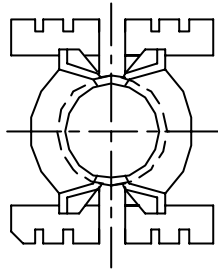
-D5-PQ20-P01 -



REVISIONS				
ISSUE	SYM	DATE	DRAFTER	CHECKER
NOTE:				

 <b>樹林企業股份有限公司</b> TAIWAN SHULIN ENTERPRISE CO., LTD	MODEL		PQ-2020	
	MATERIAL		PHENOLIC	
WEB:www.bobbin.com.tw	UL RATING	UL94V-0	TOLERANCE  .X $\pm 0.2$ .XX $\pm 0.15$ PIN PITCH $\pm 0.1$	
e-mail:shulin@bobbin.com.tw	PIN MATERIAL	CP WIRE		
(TAIWAN TAIPEI) TEL:(886)2-2223-1500 FAX:(886)2-2222-4646	EDITION	2.0		
(CHINA DONGGUAN) TEL:(86)769-7730-785 FAX:(86)769-7312-387	DATE	2002/8/15	UNIT	MM
(CHINA SUZHOU) TEL:(86)512-6621-0580 FAX:(86)512-6621-0685	SCALE	2/1		

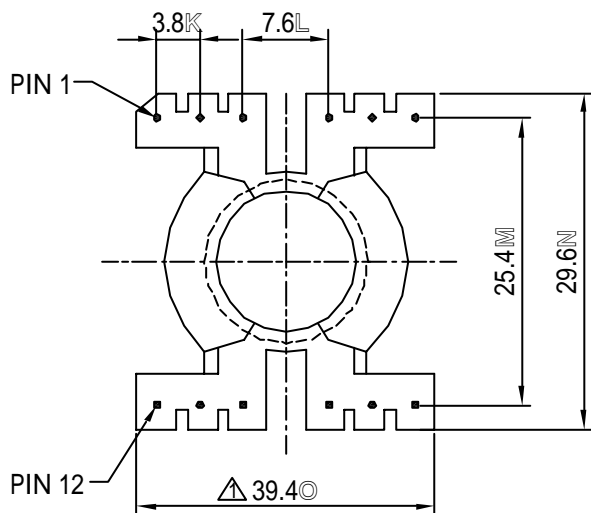
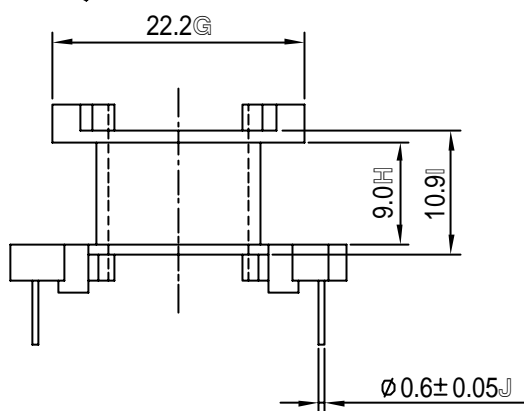
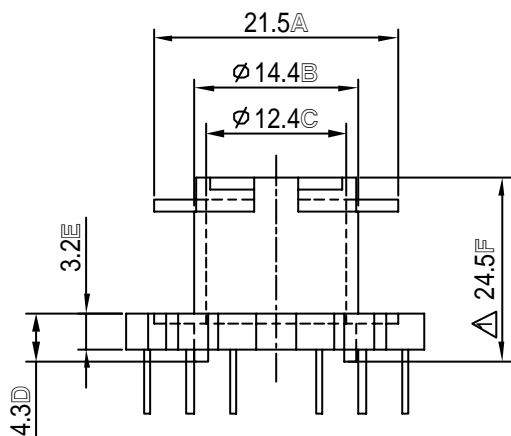
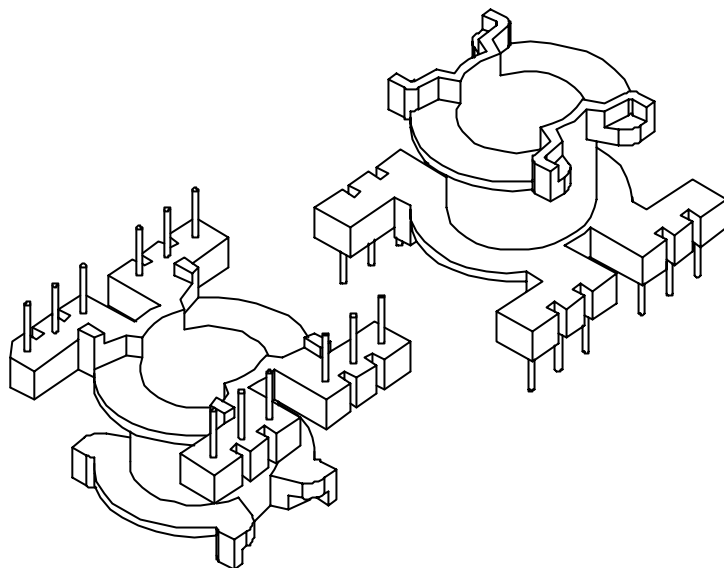
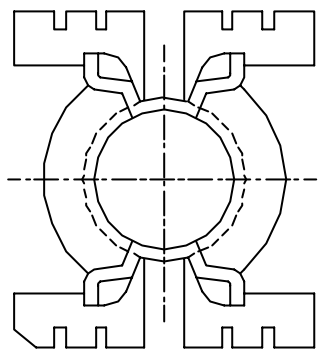
-D5-PQ20-P02 -



REVISIONS				
ISSUE	SYM	DATE	DRAFTER	CHECKER
NOTE:				

 <b>樹林企業股份有限公司</b> TAIWAN SHULIN ENTERPRISE CO., LTD	MODEL		PQ-2620	
	MATERIAL		PHENOLIC	
WEB: www.bobbin.com.tw	UL RATING	UL94V-0	TOLERANCE .X $\pm 0.2$ .XX $\pm 0.15$ PIN PITCH $\pm 0.1$	
e-mail: shulin@bobbin.com.tw	PIN MATERIAL	CP WIRE		
(TAIWAN TAIPEI) TEL: (886)2-2223-1500 FAX: (886)2-2222-4646	EDITION	2.0		
(CHINA DONGGUAN) TEL: (86)769-7730-785 FAX: (86)769-7312-387	DATE	2002/8/15	UNIT	MM
(CHINA SUZHOU) TEL: (86)512-6621-0580 FAX: (86)512-6621-0685	SCALE	1.5/1		

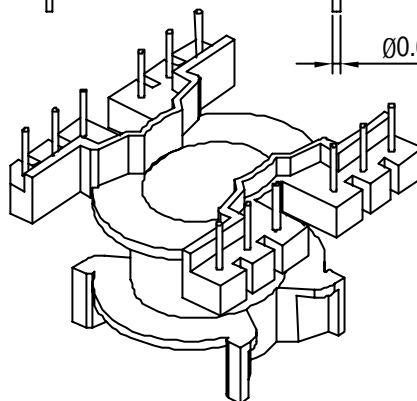
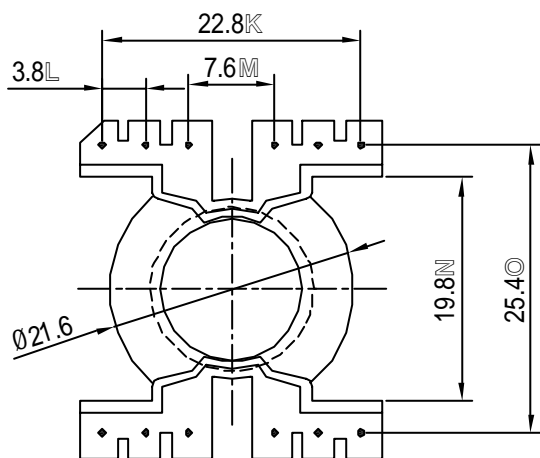
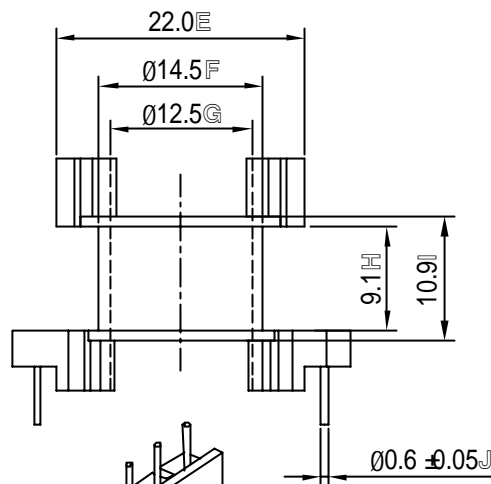
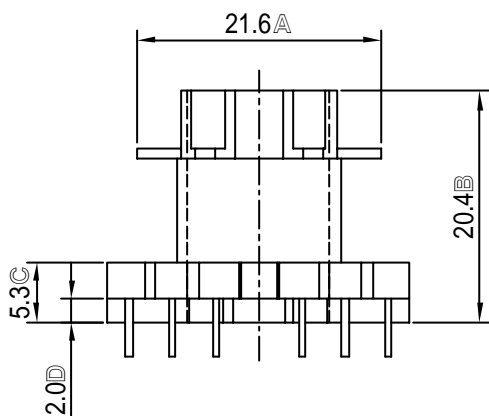
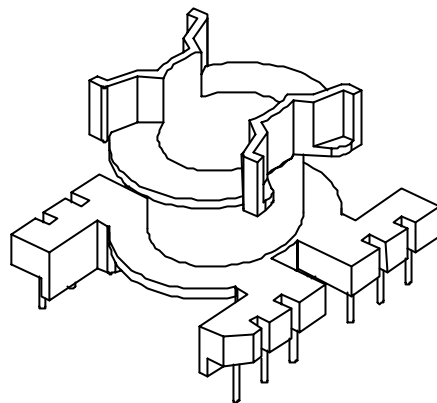
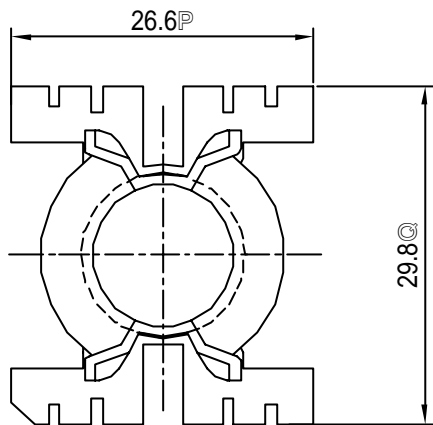
-D5-PQ26-P01 -



REVISIONS				
ISSUE	SYM	DATE	DRAFTER	CHECKER
1.	$\Delta$	2003/2/17	LI HUA HONG	C.H.WANG
NOTE:				

 <b>樹林企業股份有限公司</b> TAIWAN SHULIN ENTERPRISE CO., LTD	MODEL		PQ2620-1	
	MATERIAL		PHENOLIC	
WEB: www.bobbin.com.tw	UL RATING	UL94V-0	TOLERANCE .X $\pm 0.2$ .XX $\pm 0.15$ PIN PITCH $\pm 0.1$	
e-mail: shulin@bobbin.com.tw	PIN MATERIAL	CP WIRE		
(TAIWAN TAIPEI) TEL: (886)2-2223-1500 FAX: (886)2-2222-4646	EDITION	2.0A		
(CHINA DONGGUAN) TEL: (86)769-7730-785 FAX: (86)769-7312-387	DATE	2003/2/17	UNIT	MM
(CHINA SUZHOU) TEL: (86)512-6621-0580 FAX: (86)512-6621-0685	SCALE	1.5/1		

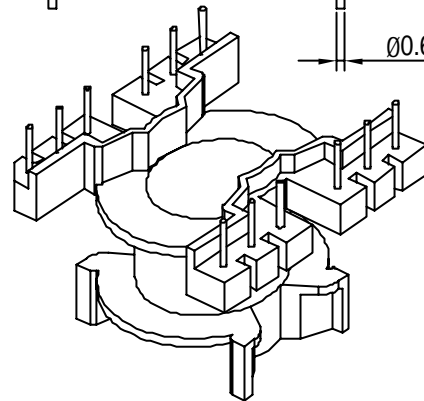
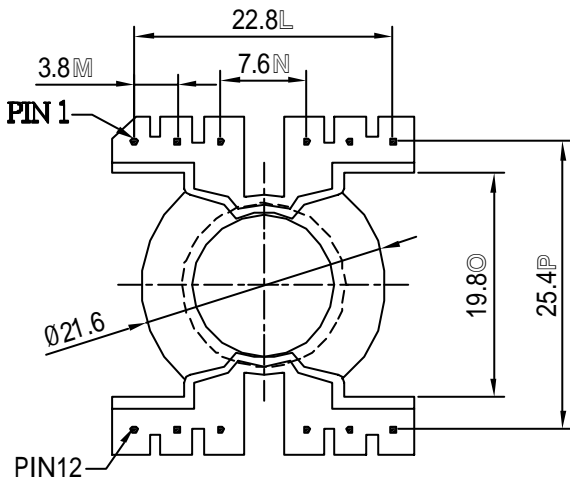
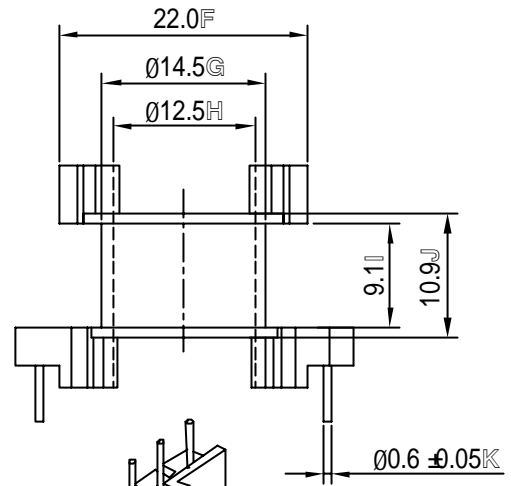
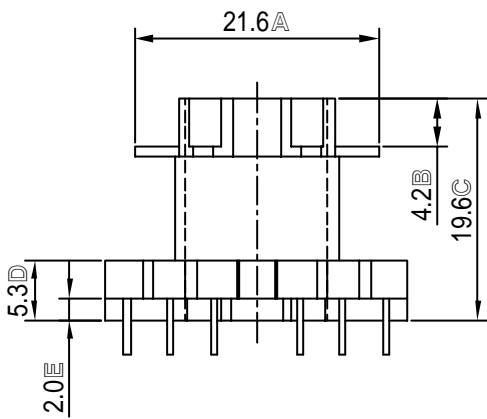
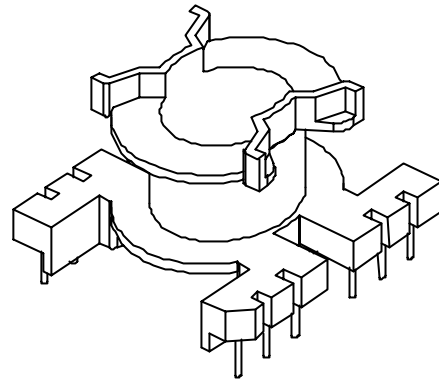
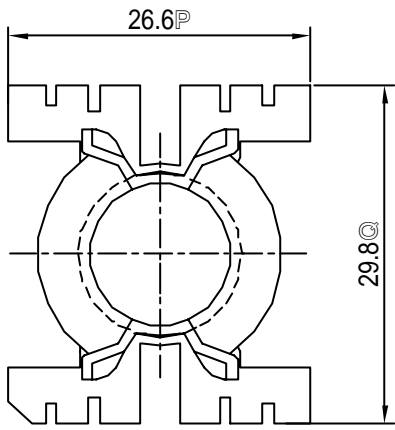
-D5-PQ26-P02 -



REVISIONS				
ISSUE	SYM	DATE	DRAFTER	CHECKER
NOTE:				

 <b>樹林企業股份有限公司</b> TAIWAN SHULIN ENTERPRISE CO., LTD	MODEL		PQ-2620-2	
	MATERIAL		PHENOLIC	
WEB: www.bobbin.com.tw	UL RATING	UL94V-0	TOLERANCE .X ±0.2 .XX ±0.15 PIN PITCH ±0.1	
e-mail: shulin@bobbin.com.tw	PIN MATERIAL	CP WIRE		
(TAIWAN TAIPEI) TEL: (886)2-2223-1500 FAX: (886)2-2222-4646	EDITION	1.0		
(CHINA DONGGUAN) TEL: (86)769-7730-785 FAX: (86)769-7312-387	DATE	2002/10/15	UNIT	MM
(CHINA SUZHOU) TEL: (86)512-6621-0580 FAX: (86)512-6621-0685	SCALE	1.5/1		

-D5-PQ26-P03 -



REVISIONS				
ISSUE	SYM	DATE	DRAFTER	CHECKER
NOTE:				



樹林企業股份有限公司

TAIWAN SHULIN ENTERPRISE CO., LTD

WEB: www.bobbin.com.tw

e-mail: shulin@bobbin.com.tw

(TAIWAN TAIPEI) TEL: (886)2-2223-1500 FAX: (886)2-2222-4646

(CHINA DONGGUAN) TEL: (86)769-7730-785 FAX: (86)769-7312-387

(CHINA SUZHOU) TEL: (86)512-6621-0580 FAX: (86)512-6621-0685

MODEL

PQ-2620- 3

MATERIAL

PHENOLIC

UL RATING

UL94V-0

TOLERANCE

PIN MATERIAL

CP WIRE

.X ±0.2

EDITION

1.0

.XX ±0.15

DATE

2003/7/8

PIN PITCH ±0.1

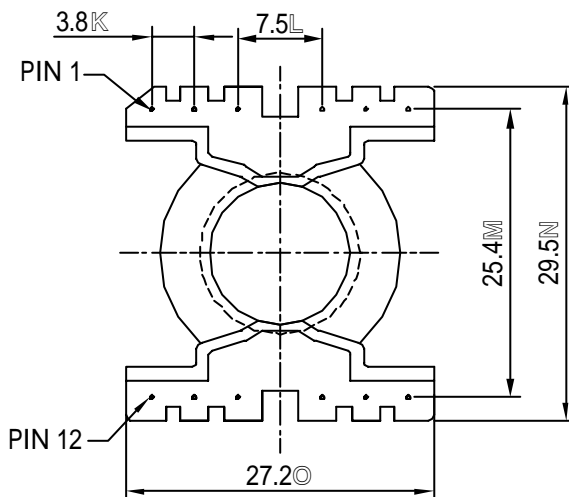
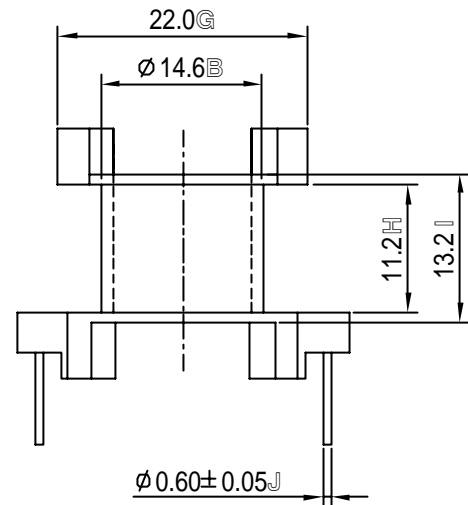
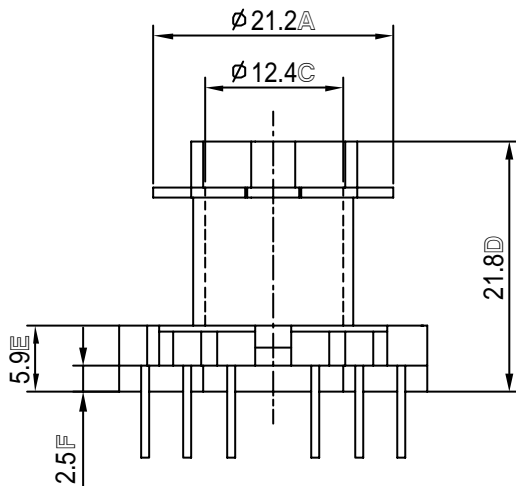
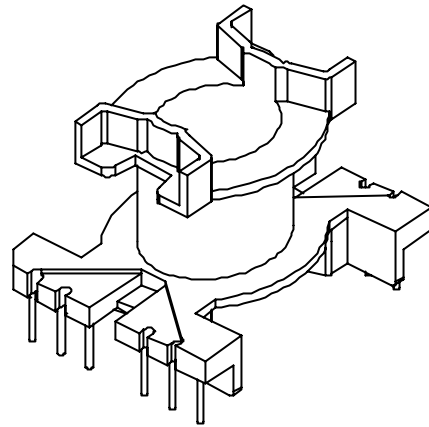
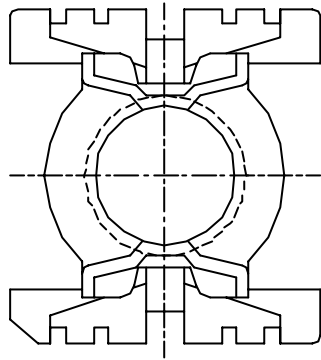
SCALE

1.5/1

UNIT

MM

-D5-PQ26-P04 -



REVISIONS				
ISSUE	SYM	DATE	DRAFTER	CHECKER

NOTE:



樹林企業股份有限公司  
TAIWAN SHULIN ENTERPRISE CO., LTD

MODEL

PQ-2622.5

MATERIAL

PHENOLIC

WEB:www.bobbin.com.tw

UL RATING

UL94V-0

TOLERANCE

e-mail:shulin@bobbin.com.tw

PIN MATERIAL

CP WIRE

.X  $\pm 0.2$

(TAIWAN TAIPEI) TEL:(886)2-2223-1500 FAX:(886)2-2222-4646

EDITION

2.0A

.XX  $\pm 0.15$

(CHINA DONGGUAN) TEL:(86)769-7730-785 FAX:(86)769-7312-387

DATE

2003/7/26

PIN PITCH  $\pm 0.1$

(CHINA SUZHOU) TEL:(86)512-6621-0580 FAX:(86)512-6621-0685

SCALE

1.5/1

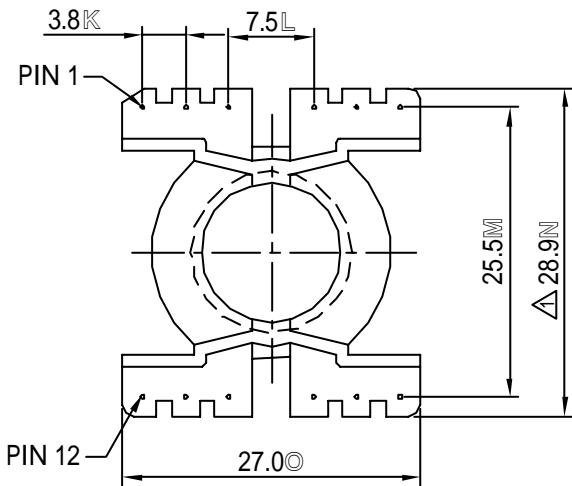
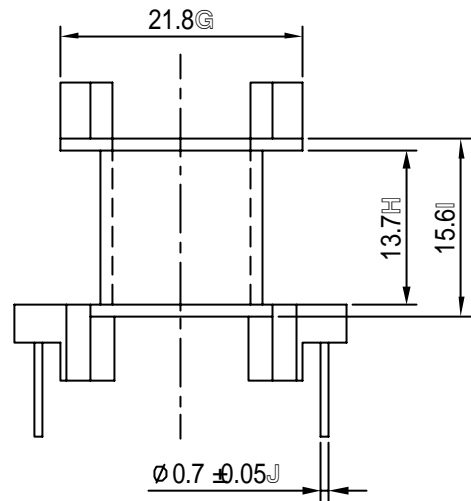
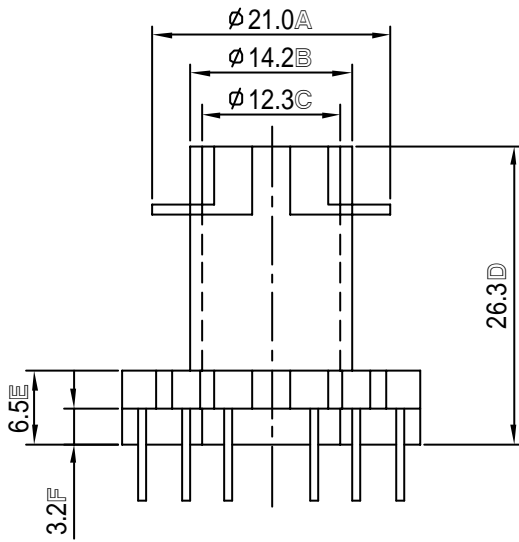
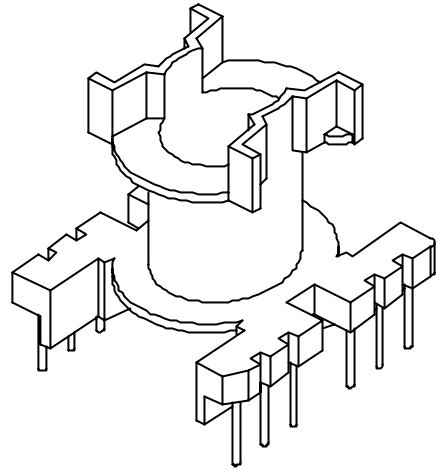
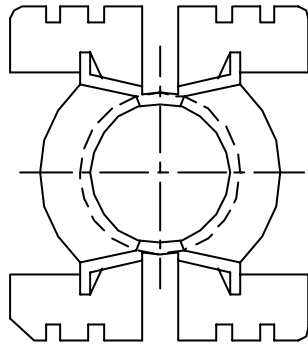
UNIT

MM

-D5-PQ26-P05 -

本图面版权属台湾树林，本人仅将其汇总。不承担任何法律责任！！QQ：195502110

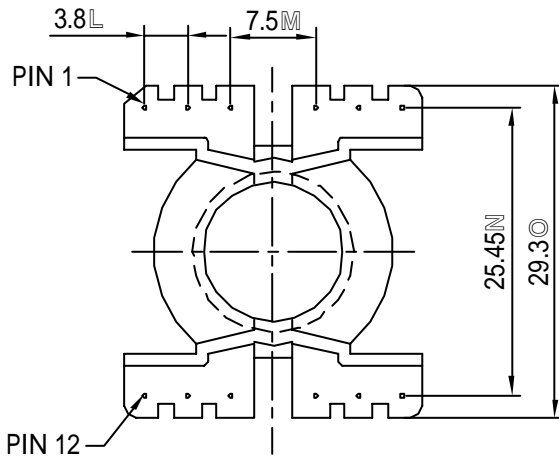
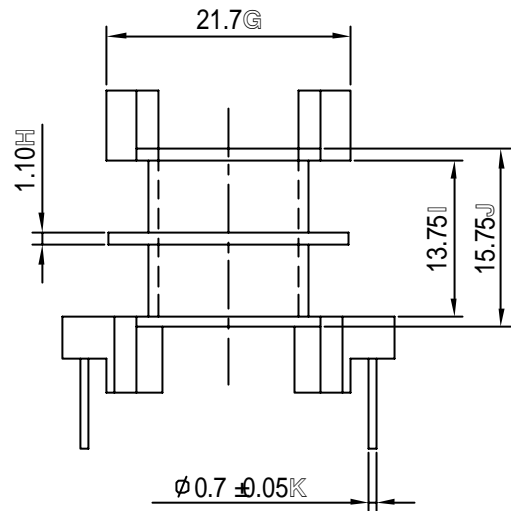
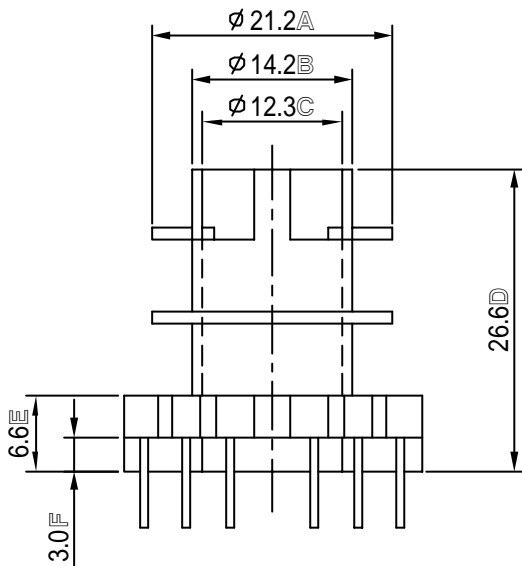
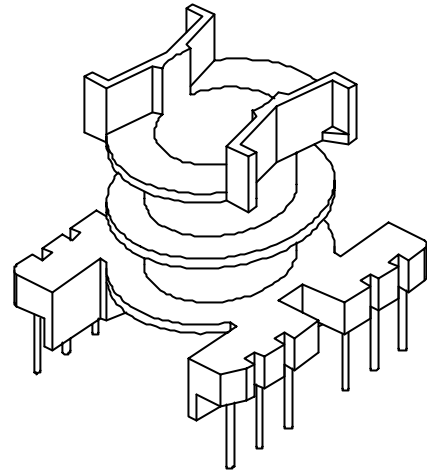
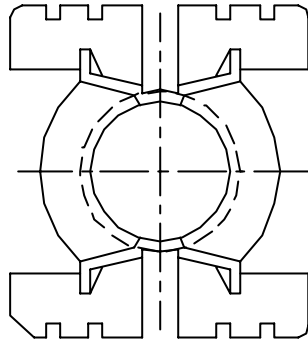




REVISIONS				
ISSUE	SYM	DATE	DRAFTER	CHECKER
1.	△	2003/04/10	LI HUA HONG	C.H.WANG
NOTE:				

 <b>樹林企業股份有限公司</b> TAIWAN SHULIN ENTERPRISE CO., LTD	MODEL		PQ-2625	
	MATERIAL		PHENOLIC	
WEB:www.bobbin.com.tw	UL RATING	UL94V-0	TOLERANCE  .X ±0.2 .XX ±0.15 PIN PITCH ±0.1	
e-mail:shulin@bobbin.com.tw	PIN MATERIAL	CP WIRE		
(TAIWAN TAIPEI) TEL:(886)2-2223-1500 FAX:(886)2-2222-4646	EDITION	2.0A		
(CHINA DONGGUAN) TEL:(86)769-7730-785 FAX:(86)769-7312-387	DATE	2003/4/10		
(CHINA SUZHOU) TEL:(86)512-6621-0580 FAX:(86)512-6621-0685	SCALE	1.5/1	UNIT	MM

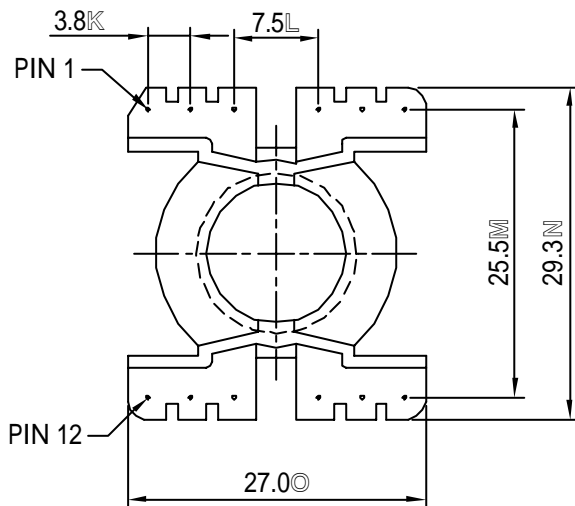
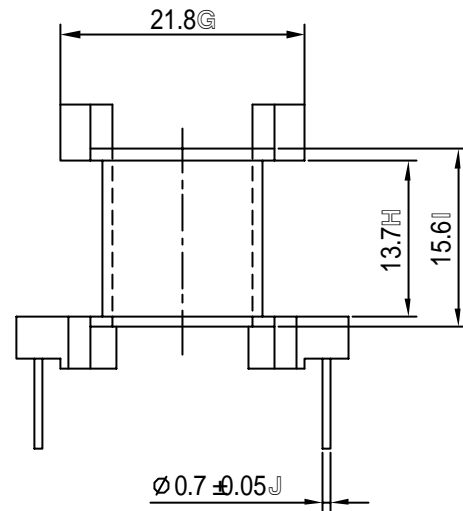
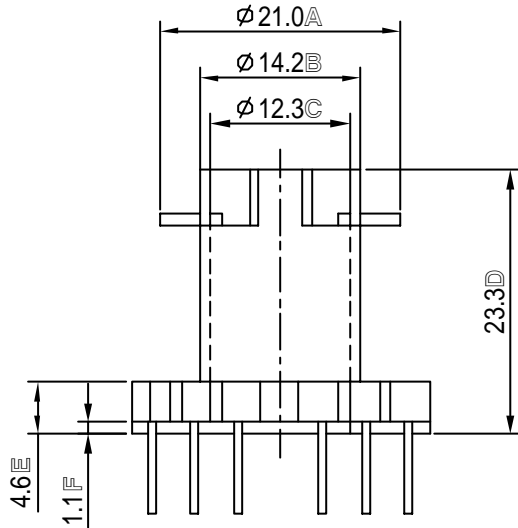
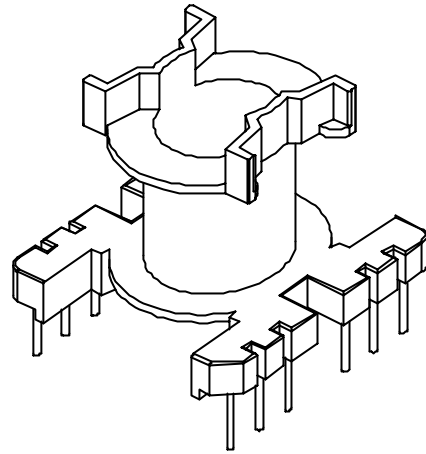
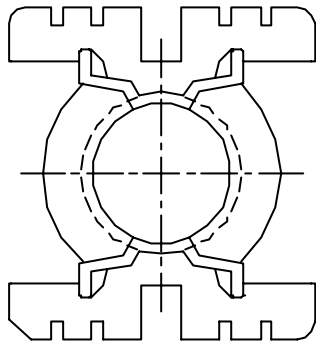
-D5-PQ26-P06 -



REVISIONS				
ISSUE	SYM	DATE	DRAFTER	CHECKER
NOTE:				

 <b>樹林企業股份有限公司</b> TAIWAN SHULIN ENTERPRISE CO., LTD	MODEL		PQ-2625-1	
	MATERIAL		PHENOLIC	
WEB:www.bobbin.com.tw	UL RATING	UL94V-0	TOLERANCE  .X $\pm 0.2$ .XX $\pm 0.15$ PIN PITCH $\pm 0.1$	
e-mail:shulin@bobbin.com.tw	PIN MATERIAL	CP WIRE		
(TAIWAN TAIPEI) TEL: (886)2-2223-1500 FAX: (886)2-2222-4646	EDITION	2.0		
(CHINA DONGGUAN) TEL: (86)769-7730-785 FAX: (86)769-7312-387	DATE	2002/8/15		
(CHINA SUZHOU) TEL: (86)512-6621-0580 FAX: (86)512-6621-0685	SCALE	1.5/1	UNIT	MM

-D5-PQ26-P07 -



REVISIONS				
ISSUE	SYM	DATE	DRAFTER	CHECKER

NOTE:



樹林企業股份有限公司

TAIWAN SHULIN ENTERPRISE CO., LTD

WEB:www.bobbin.com.tw

e-mail:shulin@bobbin.com.tw

(TAIWAN TAIPEI) TEL:(886)2-2223-1500 FAX:(886)2-2222-4646

(CHINA DONGGUAN) TEL:(86)769-7730-785 FAX:(86)769-7312-387

(CHINA SUZHOU) TEL:(86)512-6621-0580 FAX:(86)512-6621-0685

MODEL

PQ-2625-2

MATERIAL

PHENOLIC

UL RATING

UL94V-0

PIN MATERIAL

CP WIRE

EDITION

1.0

DATE

2001/3/30

SCALE

1.5/1

TOLERANCE

.X  $\pm 0.2$

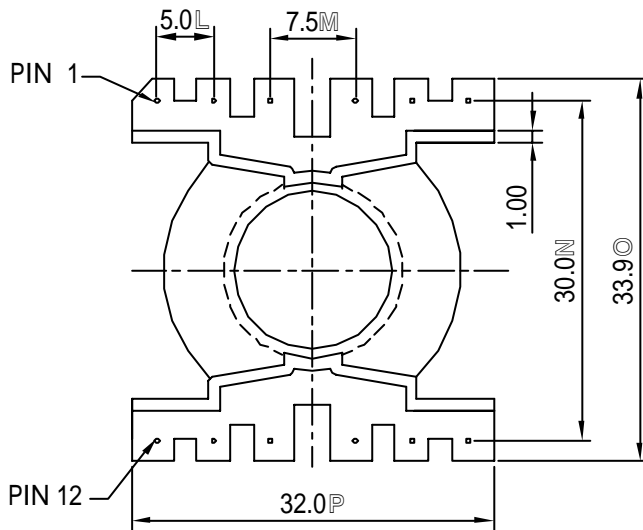
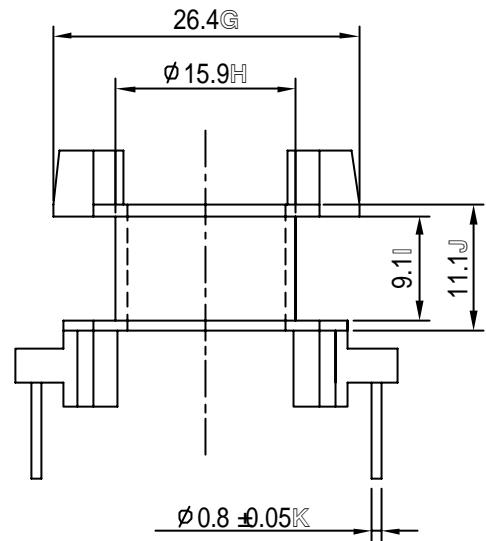
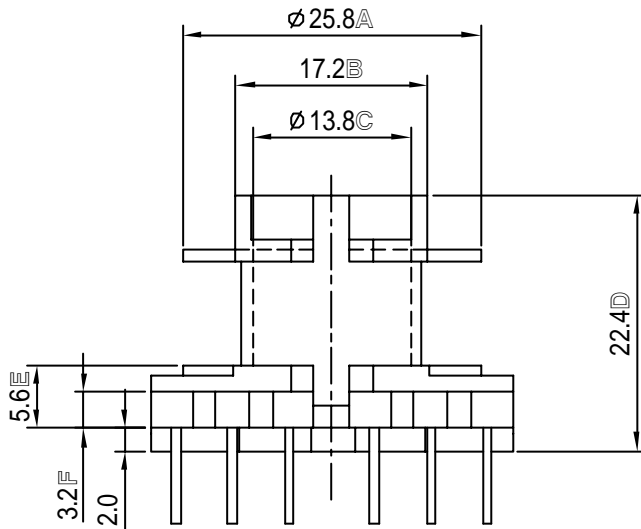
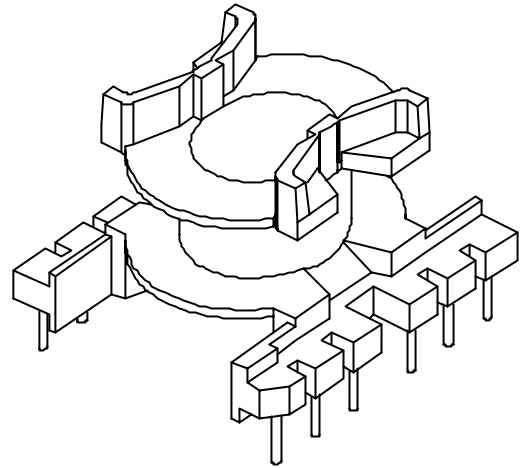
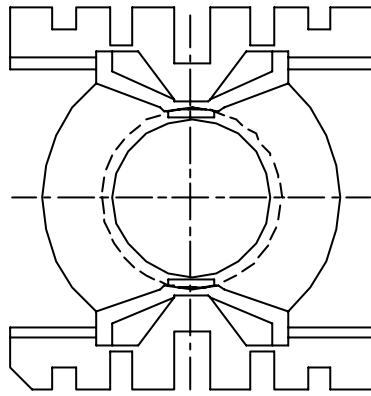
.XX  $\pm 0.1$

.XXX  $\pm 0.05$

UNIT

MM

-D5-PQ26-P08 -



REVISIONS				
ISSUE	SYM	DATE	DRAFTER	CHECKER

NOTE:



樹林企業股份有限公司

TAIWAN SHULIN ENTERPRISE CO., LTD

WEB:www.bobbin.com.tw

e-mail:shulin@bobbin.com.tw

(TAIWAN TAIPEI) TEL:(886)2-2223-1500 FAX:(886)2-2222-4646

(CHINA DONGGUAN) TEL:(86)769-7730-785 FAX:(86)769-7312-387

(CHINA SUZHOU) TEL:(86)512-6621-0580 FAX:(86)512-6621-0685

MODEL

PQ-3220

MATERIAL

PHENOLIC

UL RATING

UL94V-0

TOLERANCE

PIN MATERIAL

CP WIRE

.X  $\pm 0.2$

.XX  $\pm 0.15$

EDITION

2.0

PIN PITCH  $\pm 0.1$

DATE

2002/8/15

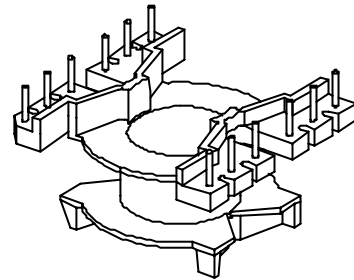
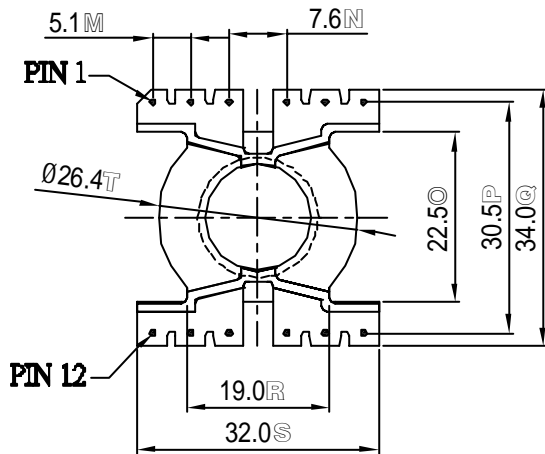
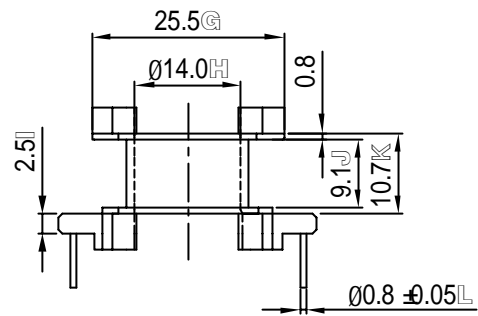
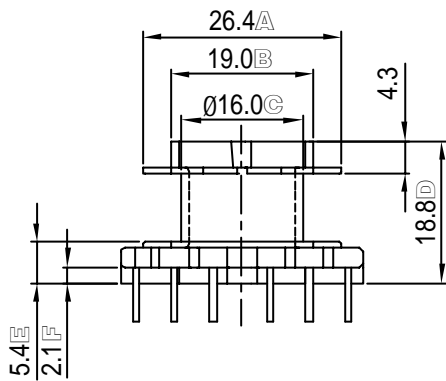
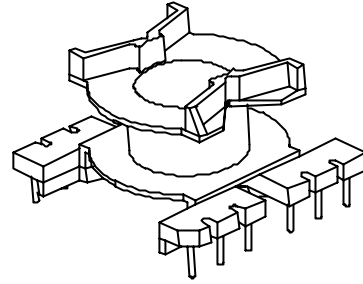
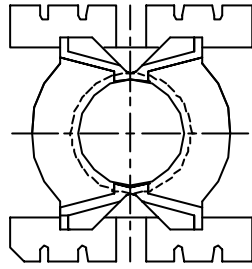
SCALE

1.5/1

UNIT

MM

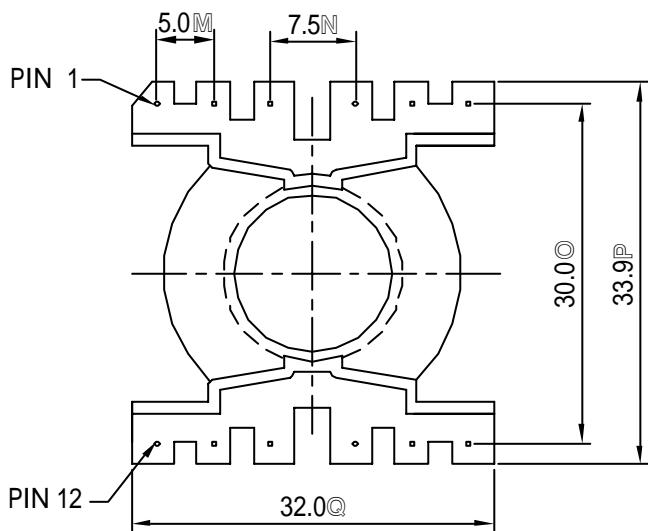
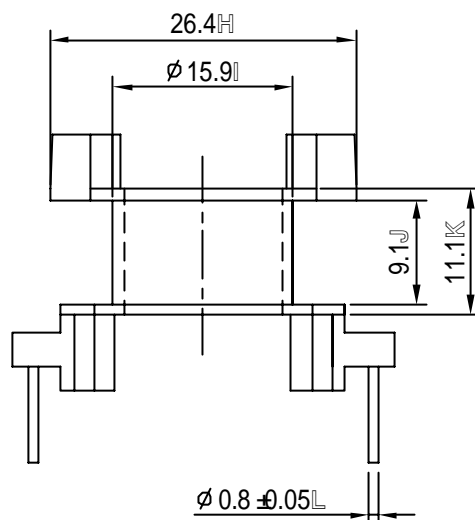
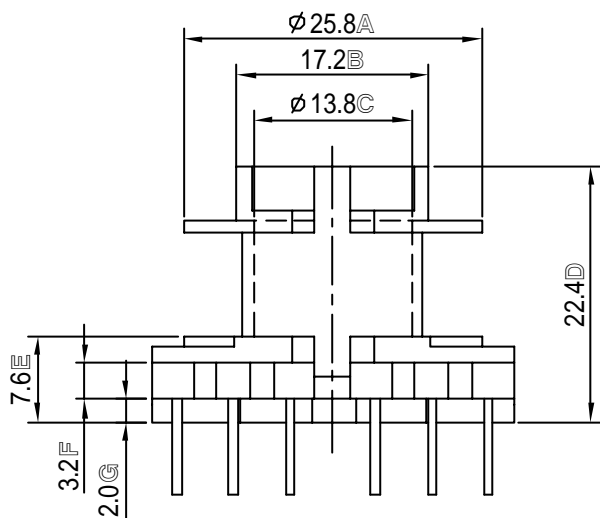
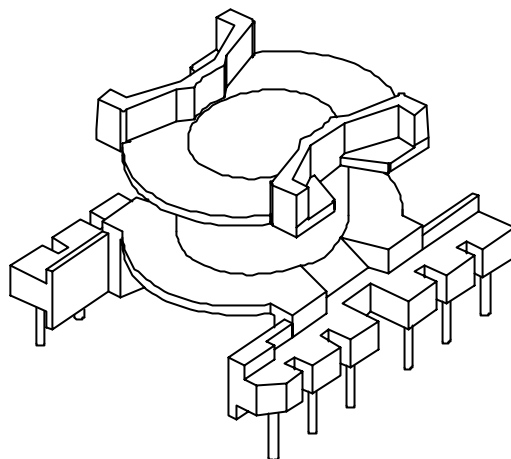
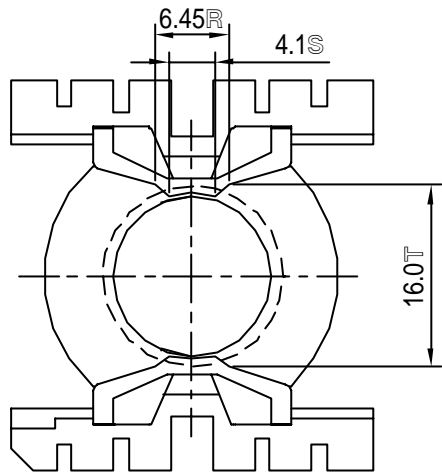
-D5-PQ32-P01 -



REVISIONS				
ISSUE	SYM	DATE	DRAFTER	CHECKER
NOTE:				

 <b>樹林企業股份有限公司</b> TAIWAN SHULIN ENTERPRISE CO., LTD	MODEL		PQ-3220-1	
	MATERIAL		PHENOLIC	
WEB:www.bobbin.com.tw	UL RATING	UL94V-0	TOLERANCE .X ±0.2 .XX ±0.15 PIN PITCH ±0.1	
e-mail:shulin@bobbin.com.tw	PIN MATERIAL	CP WIRE		
(TAIWAN TAIPEI) TEL:(886)2-2223-1500 FAX:(886)2-2222-4646	EDITION	1.0A		
(CHINA DONGGUAN) TEL:(86)769-7730-785 FAX:(86)769-7312-387	DATE	2003/5/5	UNIT	MM
(CHINA SUZHOU) TEL:(86)512-6621-0580 FAX:(86)512-6621-0685	SCALE	1/1		

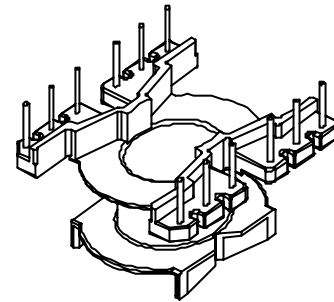
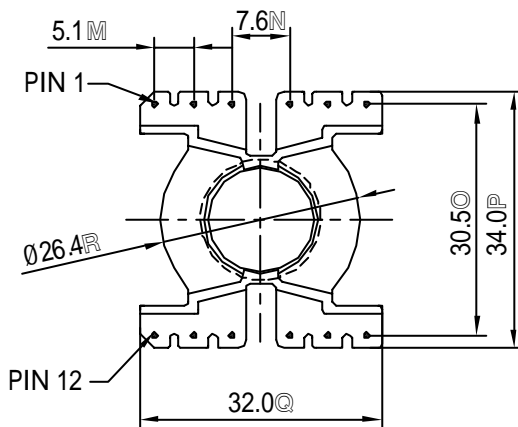
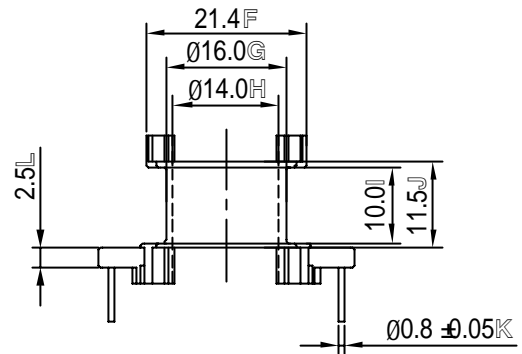
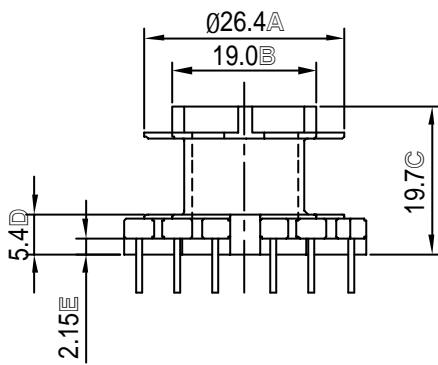
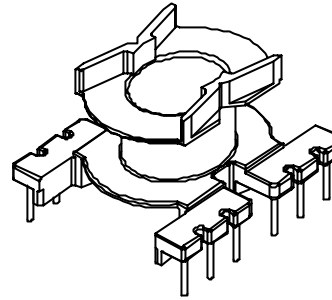
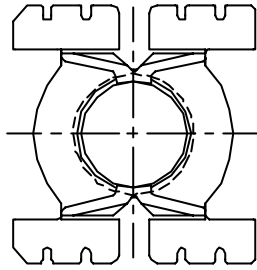
-D5-PQ32-P02 -



REVISIONS				
ISSUE	SYM	DATE	DRAFTER	CHECKER
NOTE:				

 <b>樹林企業股份有限公司</b> TAIWAN SHULIN ENTERPRISE CO., LTD	MODEL		PQ-3220-2		
	MATERIAL		PHENOLIC		
WEB:www.bobbin.com.tw	UL RATING	UL94V-0	TOLERANCE  .X ±0.2 .XX ±0.15 PIN PITCH ±0.1		
e-mail:shulin@bobbin.com.tw	PIN MATERIAL	CP WIRE			
(TAIWAN TAIPEI) TEL: (886)2-2223-1500 FAX: (886)2-2222-4646	EDITION	1.0			
(CHINA DONGGUAN) TEL: (86)769-7730-785 FAX: (86)769-7312-387	DATE	2003/4/30			
(CHINA SUZHOU) TEL: (86)512-6621-0580 FAX: (86)512-6621-0685	SCALE	1.5/1	UNIT	MM	

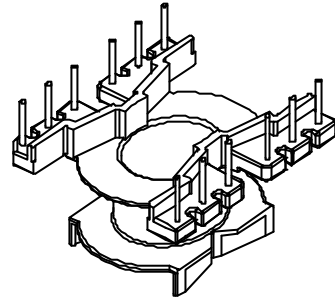
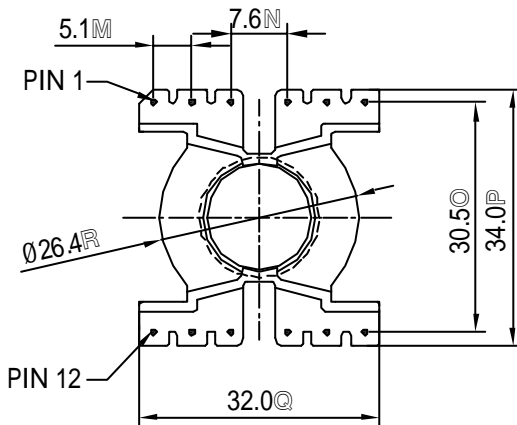
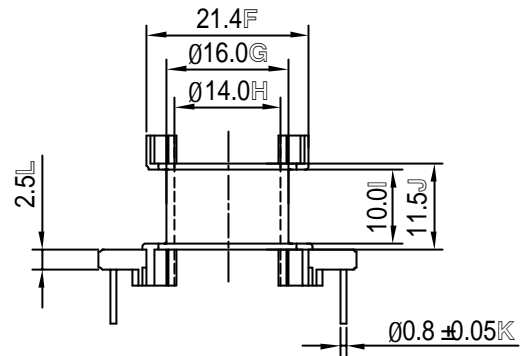
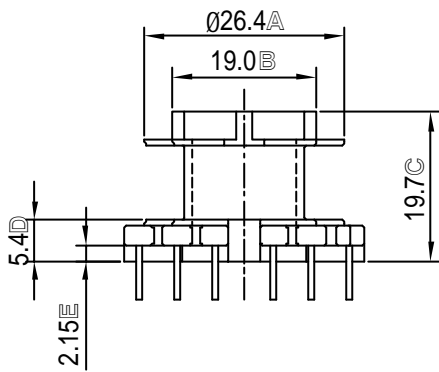
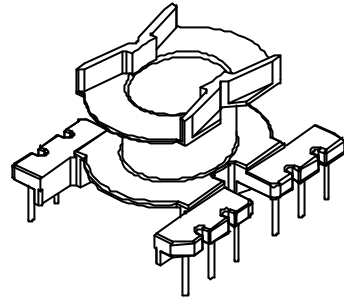
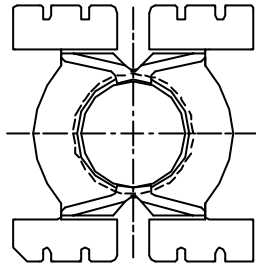
-D5-PQ32-P03 -



REVISIONS				
ISSUE	SYM	DATE	DRAFTER	CHECKER
NOTE:				

 <b>樹林企業股份有限公司</b> TAIWAN SHULIN ENTERPRISE CO., LTD	MODEL		PQ-3226	
	MATERIAL		PHENOLIC	
WEB:www.bobbin.com.tw	UL RATING	UL94V-0	TOLERANCE  .X ±0.2 .XX ±0.15 PIN PITCH ±0.1	
e-mail:shulin@bobbin.com.tw	PIN MATERIAL	CP WIRE		
(TAIWAN TAIPEI) TEL:(886)2-2223-1500 FAX:(886)2-2222-4646	EDITION	1.0		
(CHINA DONGGUAN) TEL:(86)769-7730-785 FAX:(86)769-7312-387	DATE	2003/6/21		
(CHINA SUZHOU) TEL:(86)512-6621-0580 FAX:(86)512-6621-0685	SCALE	1/1	UNIT	MM

-D5-PQ32-P04 -

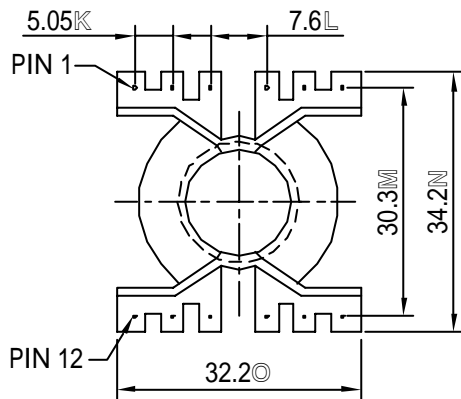
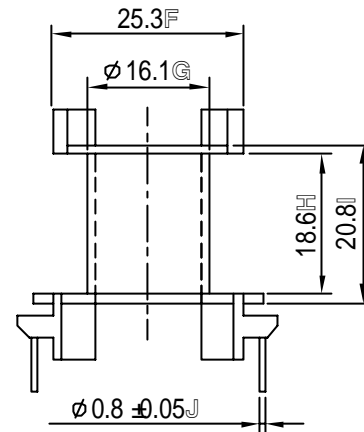
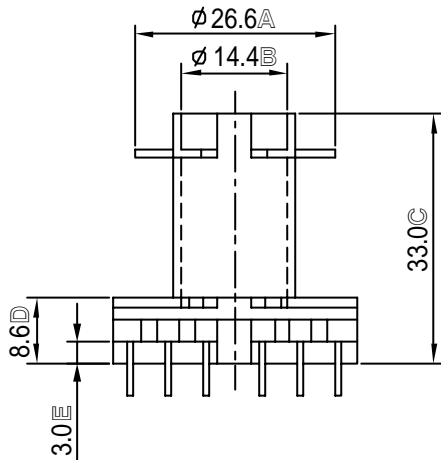
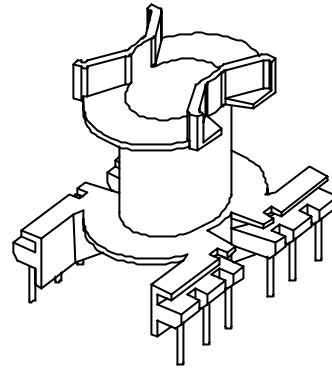
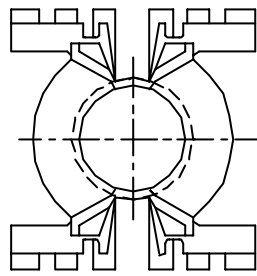


REVISIONS				
ISSUE	SYM	DATE	DRAFTER	CHECKER
NOTE:				

 <b>樹林企業股份有限公司</b> TAIWAN SHULIN ENTERPRISE CO., LTD	MODEL		PQ-3226-1	
	MATERIAL		PHENOLIC	
WEB:www.bobbin.com.tw	UL RATING	UL94V-0	TOLERANCE  .X ±0.2 .XX ±0.15 PIN PITCH ±0.1	
e-mail:shulin@bobbin.com.tw	PIN MATERIAL	CP WIRE		
(TAIWAN TAIPEI) TEL:(886)2-2223-1500 FAX:(886)2-2222-4646	EDITION	1.0		
(CHINA DONGGUAN) TEL:(86)769-7730-785 FAX:(86)769-7312-387	DATE	2003/6/21		
(CHINA SUZHOU) TEL:(86)512-6621-0580 FAX:(86)512-6621-0685	SCALE	1/1	UNIT	MM

-D5-PQ32-P05 -

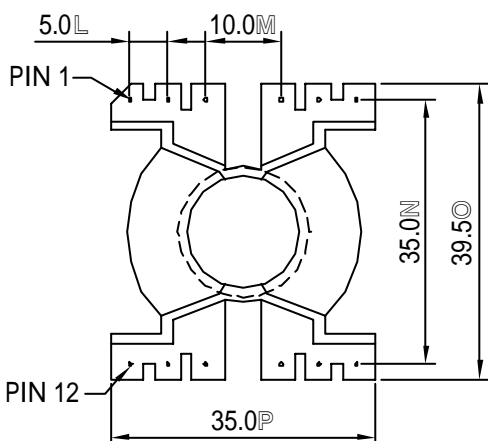
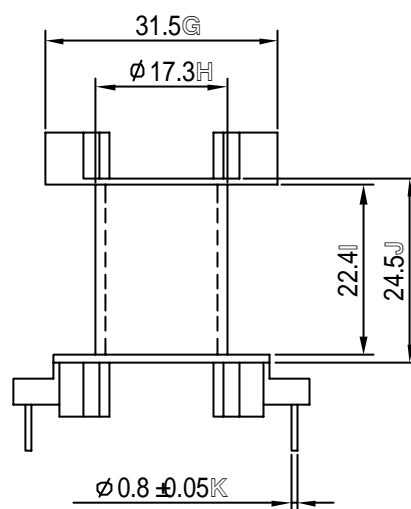
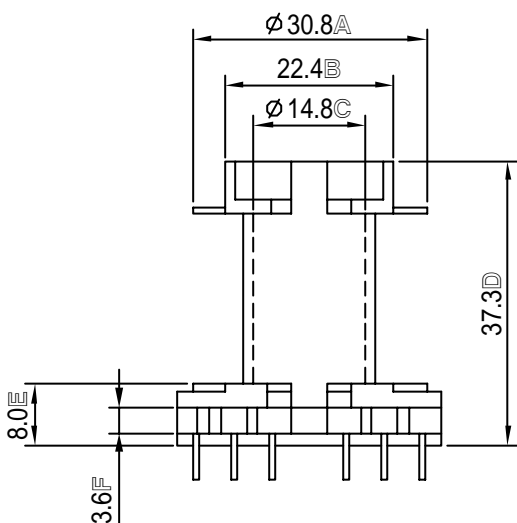
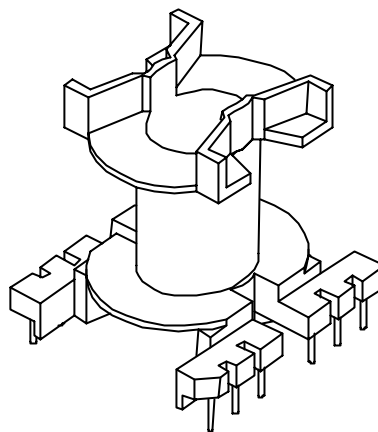
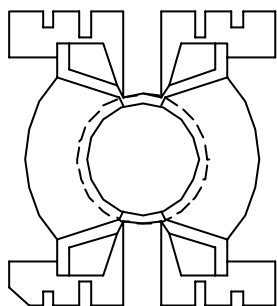




REVISIONS				
ISSUE	SYM	DATE	DRAFTER	CHECKER
NOTE:				

 <b>樹林企業股份有限公司</b> TAIWAN SHULIN ENTERPRISE CO., LTD	MODEL		PQ-3230	
	MATERIAL		PHENOLIC	
WEB: www.bobbin.com.tw	UL RATING	UL94V-0	TOLERANCE .X $\pm 0.2$ .XX $\pm 0.15$ PIN PITCH $\pm 0.1$	
e-mail: shulin@bobbin.com.tw	PIN MATERIAL	CP WIRE		
(TAIWAN TAIPEI) TEL: (886)2-2223-1500 FAX: (886)2-2222-4646	EDITION	2.0		
(CHINA DONGGUAN) TEL: (86)769-7730-785 FAX: (86)769-7312-387	DATE	2002/8/15	UNIT	MM
(CHINA SUZHOU) TEL: (86)512-6621-0580 FAX: (86)512-6621-0685	SCALE	1/1		

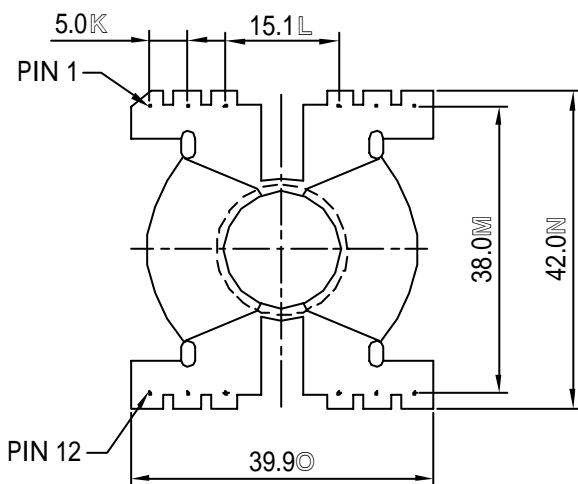
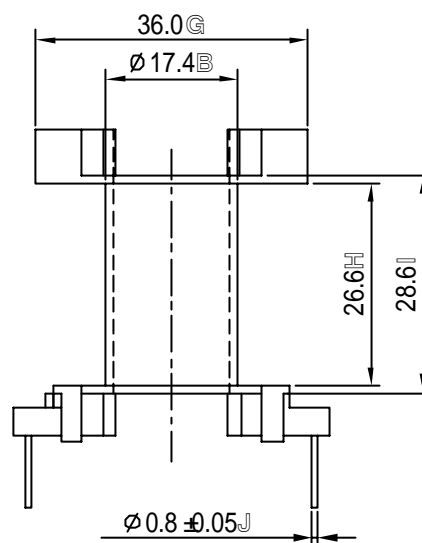
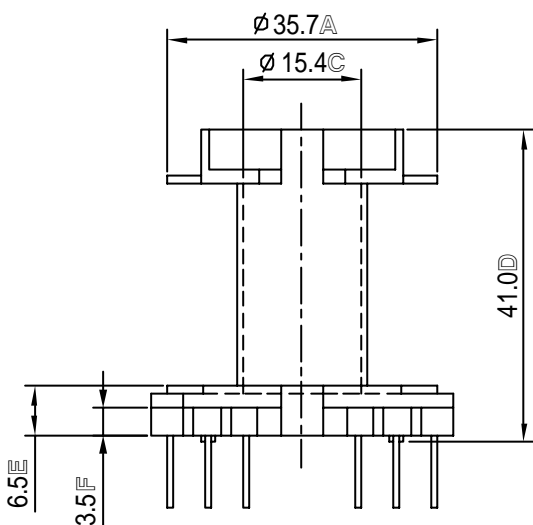
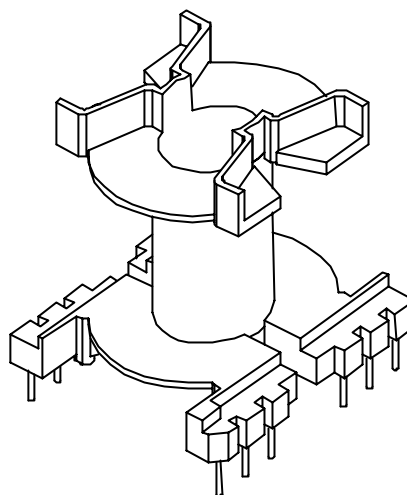
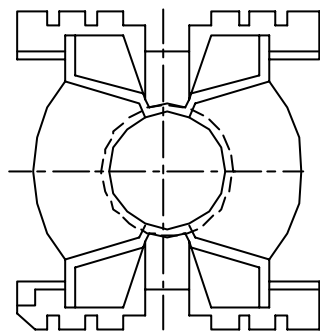
-D5-PQ32-P06 -



REVISIONS				
ISSUE	SYM	DATE	DRAFTER	CHECKER
NOTE:				

 <b>樹林企業股份有限公司</b> TAIWAN SHULIN ENTERPRISE CO., LTD	MODEL		PQ-3535	
	MATERIAL		PHENOLIC	
WEB: www.bobbin.com.tw	UL RATING	UL94V-0	TOLERANCE .X $\pm 0.2$ .XX $\pm 0.15$ PIN PITCH $\pm 0.1$	
e-mail: shulin@bobbin.com.tw	PIN MATERIAL	CP WIRE		
(TAIWAN TAIPEI) TEL: (886)2-2223-1500 FAX: (886)2-2222-4646	EDITION	2.0		
(CHINA DONGGUAN) TEL: (86)769-7730-785 FAX: (86)769-7312-387	DATE	2002/8/15	UNIT	MM
(CHINA SUZHOU) TEL: (86)512-6621-0580 FAX: (86)512-6621-0685	SCALE	1/1		

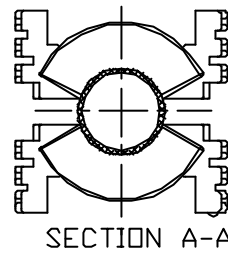
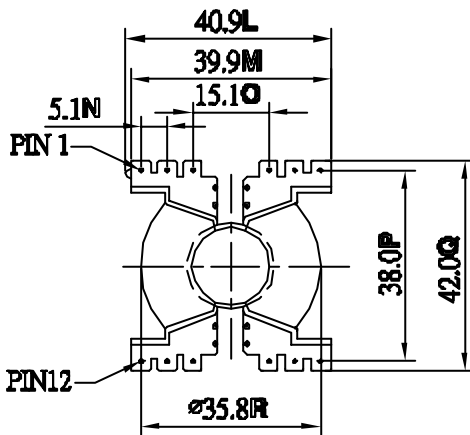
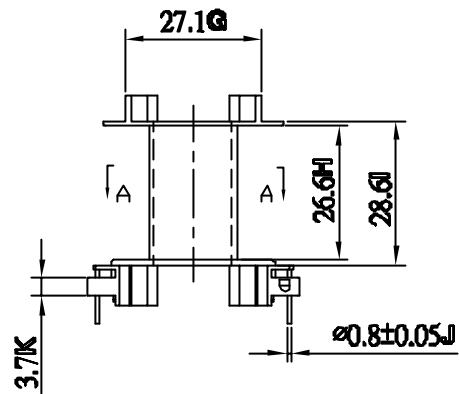
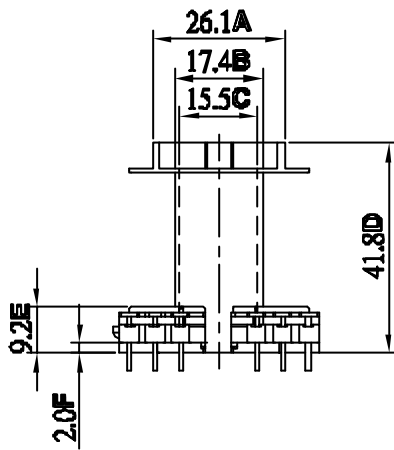
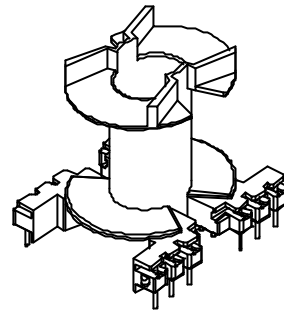
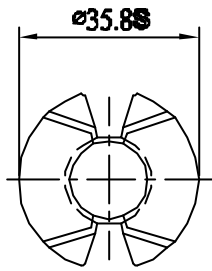
-D5-PQ35-P01 -



REVISIONS				
ISSUE	SYM	DATE	DRAFTER	CHECKER
NOTE:				

 <b>樹林企業股份有限公司</b> TAIWAN SHULIN ENTERPRISE CO., LTD	MODEL		PQ-4040	
	MATERIAL		PHENOLIC	
WEB: www.bobbin.com.tw	UL RATING	UL94V-0	TOLERANCE .X $\pm 0.2$ .XX $\pm 0.15$ PIN PITCH $\pm 0.1$	
e-mail: shulin@bobbin.com.tw	PIN MATERIAL	CP WIRE		
(TAIWAN TAIPEI) TEL: (886)2-2223-1500 FAX: (886)2-2222-4646	EDITION	2.0		
(CHINA DONGGUAN) TEL: (86)769-7730-785 FAX: (86)769-7312-387	DATE	2002/8/15		
(CHINA SUZHOU) TEL: (86)512-6621-0580 FAX: (86)512-6621-0685	SCALE	1/1	UNIT	MM

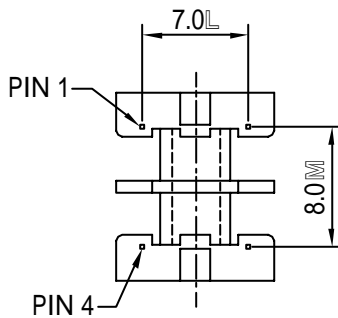
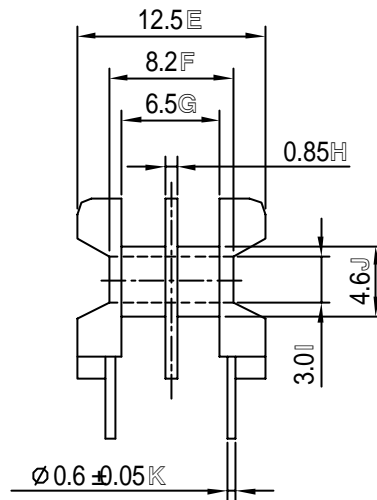
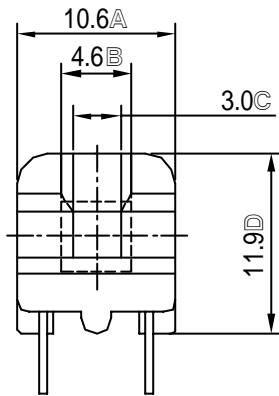
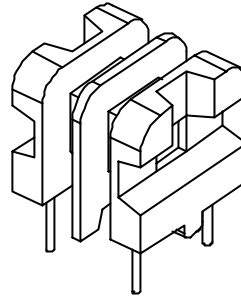
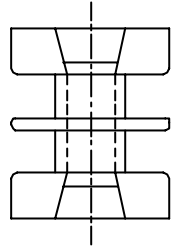
-D5-PQ40-P01 -



REVISIONS				
ISSUE	SYM	DATE	DRAFTER	CHECKER
NOTE:				

 <b>樹林企業股份有限公司</b> TAIWAN SHULIN ENTERPRISE CO., LTD	MODEL		PQ-4040-1	
	MATERIAL		FR530	
WEB: www.bobbin.com.tw	UL RATING	UL94V-0	TOLERANCE .X±0.2 .XX±0.15 PIN PITCH±0.1	
e-mail: shulin@bobbin.com.tw	PIN MATERIAL	CP WIRE		
(TAIWAN TAIPEI) TEL: (886)2-2223-1500 FAX: (886)2-2222-4646	EDITION	1.0		
(CHINA DONGGUAN) TEL: (86)769-7730-785 FAX: (86)769-7312-387	DATE	2003/7/31		
(CHINA SUZHOU) TEL: (86)512-6621-0580 FAX: (86)512-6621-0685	SCALE	1/1.5	UNIT	MM

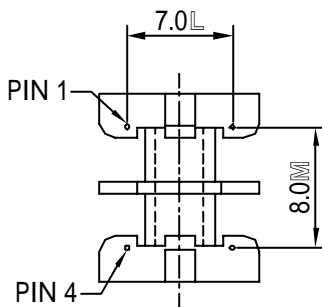
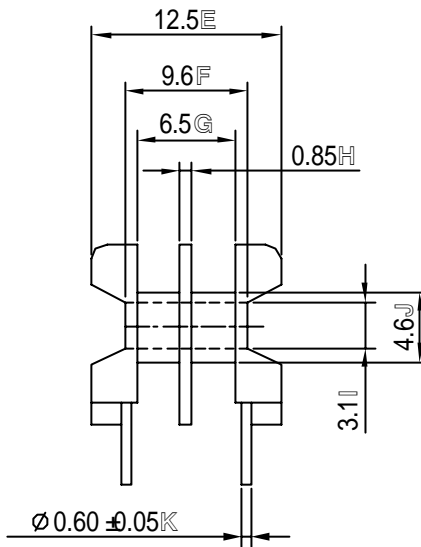
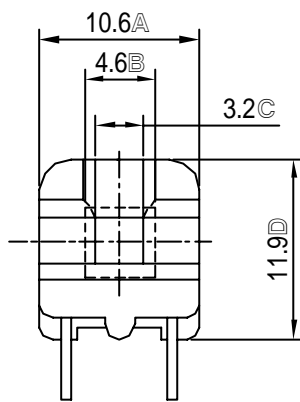
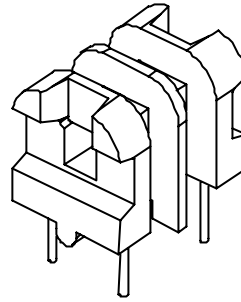
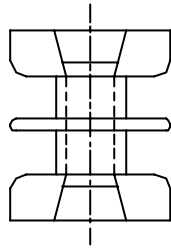
-D5-PQ40-P02-



REVISIONS				
ISSUE	SYM	DATE	DRAFTER	CHECKER
NOTE:				

 <b>樹林企業股份有限公司</b> TAIWAN SHULIN ENTERPRISE CO., LTD	MODEL		UU-9.8	
	MATERIAL		PHENOLIC	
WEB:www.bobbin.com.tw	UL RATING	UL94V-0	TOLERANCE .X $\pm 0.2$ .XX $\pm 0.15$ PIN PITCH $\pm 0.1$	
e-mail:shulin@bobbin.com.tw	PIN MATERIAL	CP WIRE		
(TAIWAN TAIPEI) TEL:(886)2-2223-1500 FAX:(886)2-2222-4646	EDITION	2.0		
(CHINA DONGGUAN) TEL:(86)769-7730-785 FAX:(86)769-7312-387	DATE	2002/8/15		
(CHINA SUZHOU) TEL:(86)512-6621-0580 FAX:(86)512-6621-0685	SCALE	2/1	UNIT	MM

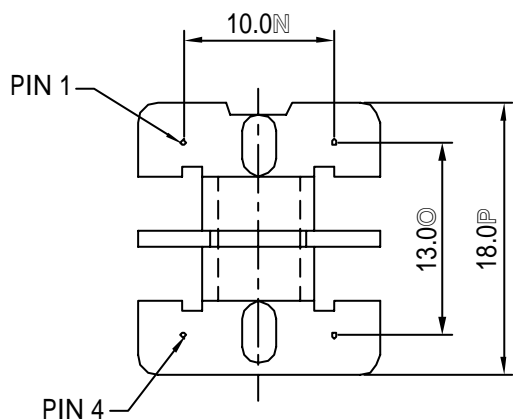
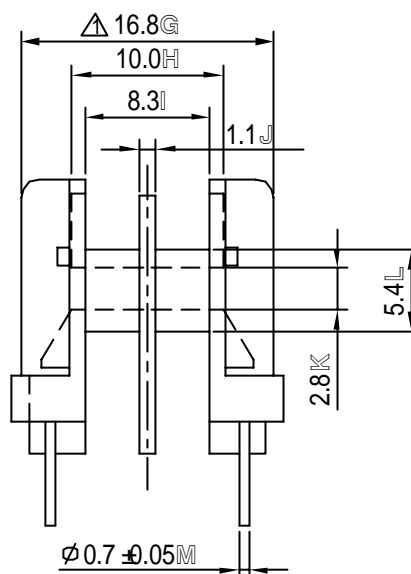
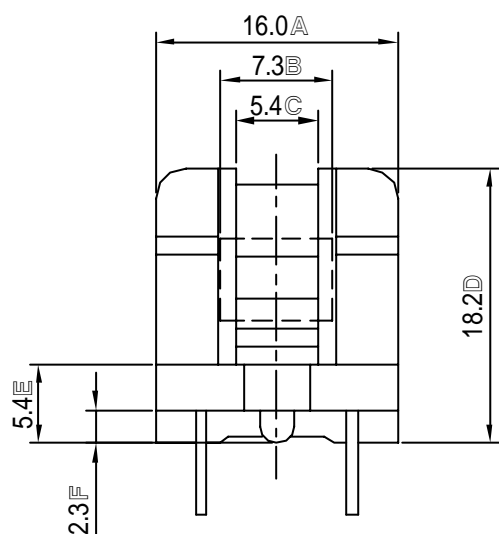
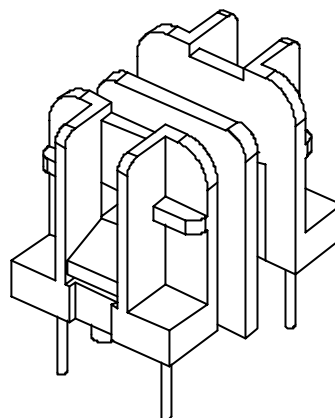
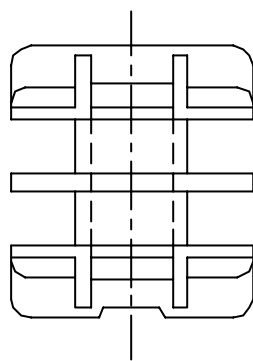
-D17-UU9.8-P01-



REVISIONS				
ISSUE	SYM	DATE	DRAFTER	CHECKER
NOTE:				

 <b>樹林企業股份有限公司</b> TAIWAN SHULIN ENTERPRISE CO., LTD	MODEL		UU-9.8-1	
	MATERIAL		PHENOLIC	
WEB:www.bobbin.com.tw	UL RATING	UL94V-0	TOLERANCE .X $\pm 0.2$ .XX $\pm 0.15$ PIN PITCH $\pm 0.1$	
e-mail:shulin@bobbin.com.tw	PIN MATERIAL	CP WIRE		
(TAIWAN TAIPEI) TEL:(886)2-2223-1500 FAX:(886)2-2222-4646	EDITION	2.0		
(CHINA DONGGUAN) TEL:(86)769-7730-785 FAX:(86)769-7312-387	DATE	2002/8/15	UNIT	MM
(CHINA SUZHOU) TEL:(86)512-6621-0580 FAX:(86)512-6621-0685	SCALE	2/1		

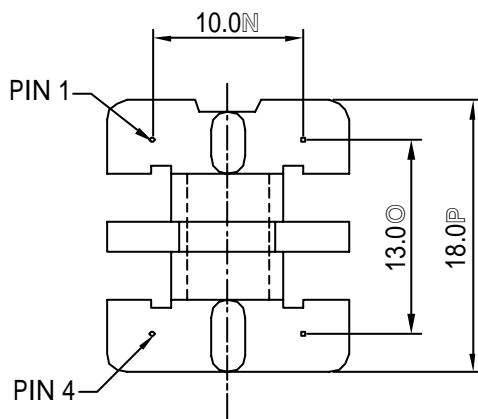
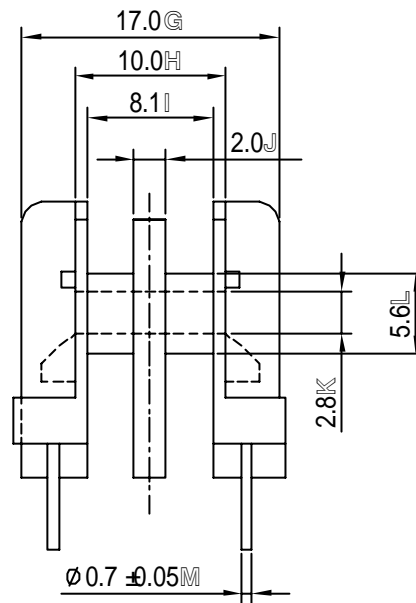
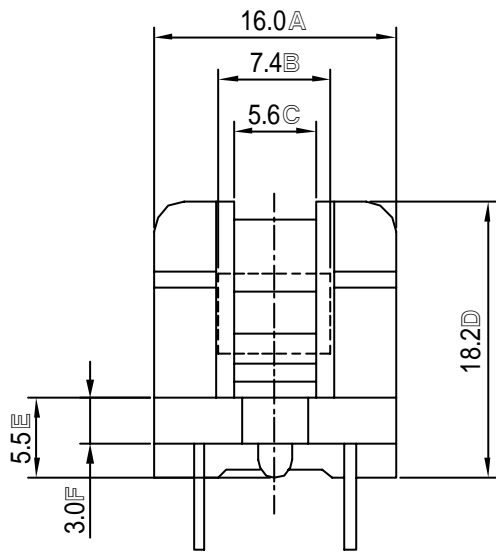
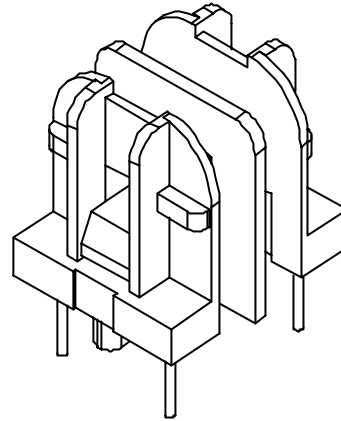
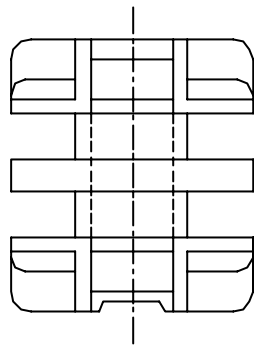
-D17-UU9.8-P02-



REVISIONS				
ISSUE	SYM	DATE	DRAFTER	CHECKER
1.	△	2003/4/26	LI HUA HONG	C.H.WANG
2.	△	2003/7/7	LI HUA HONG	C.H.WANG
NOTE:				

 <b>樹林企業股份有限公司</b> TAIWAN SHULIN ENTERPRISE CO., LTD	MODEL		UU-10.5	
	MATERIAL		PHENOLIC	
WEB:www.bobbin.com.tw	UL RATING	UL94V-0	TOLERANCE .X ±0.2 .XX ±0.15 PIN PITCH ±0.1	
e-mail:shulin@bobbin.com.tw	PIN MATERIAL	CP WIRE		
(TAIWAN TAIPEI) TEL:(886)2-2223-1500 FAX:(886)2-2222-4646	EDITION	2.0B		
(CHINA DONGGUAN) TEL:(86)769-7730-785 FAX:(86)769-7312-387	DATE	2003/4/26		
(CHINA SUZHOU) TEL:(86)512-6621-0580 FAX:(86)512-6621-0685	SCALE	2/1	UNIT	MM

-D17-UU10.5-P01-

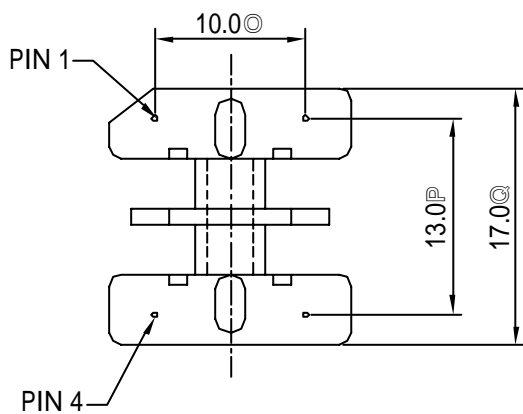
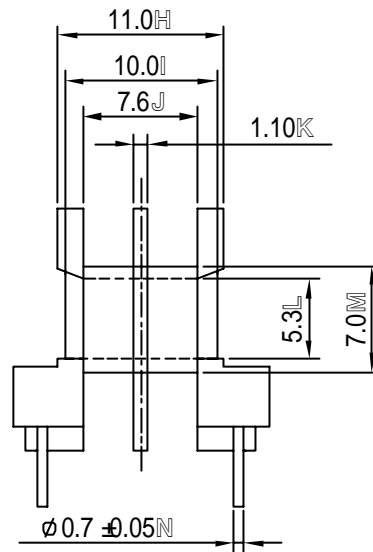
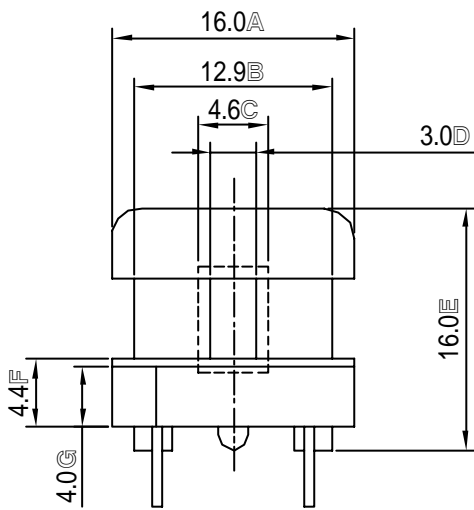
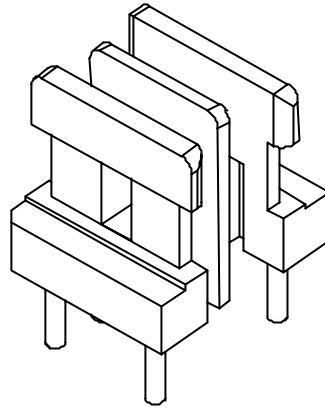
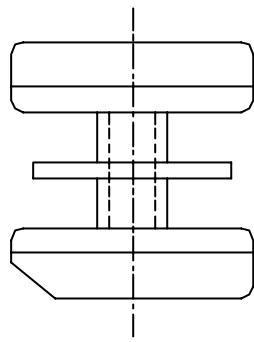


REVISIONS				
ISSUE	SYM	DATE	DRAFTER	CHECKER
NOTE:				

 <b>樹林企業股份有限公司</b> TAIWAN SHULIN ENTERPRISE CO., LTD	MODEL	UU-10.5-1		
	MATERIAL	PHENOLIC		
WEB:www.bobbin.com.tw	UL RATING	UL94V-0	TOLERANCE .X $\pm 0.2$ .XX $\pm 0.15$ PIN PITCH $\pm 0.1$	
e-mail:shulin@bobbin.com.tw	PIN MATERIAL	CP WIRE		
(TAIWAN TAIPEI) TEL:(886)2-2223-1500 FAX:(886)2-2222-4646	EDITION	2.0		
(CHINA DONGGUAN) TEL:(86)769-7730-785 FAX:(86)769-7312-387	DATE	2002/8/15		
(CHINA SUZHOU) TEL:(86)512-6621-0580 FAX:(86)512-6621-0685	SCALE	2/1	UNIT	MM

-D17-UU10.5-P02-





REVISIONS				
ISSUE	SYM	DATE	DRAFTER	CHECKER

NOTE:



樹林企業股份有限公司

TAIWAN SHULIN ENTERPRISE CO., LTD

WEB: www.bobbin.com.tw

e-mail: shulin@bobbin.com.tw

(TAIWAN TAIPEI) TEL: (886)2-2223-1500 FAX: (886)2-2222-4646

(CHINA DONGGUAN) TEL: (86)769-7730-785 FAX: (86)769-7312-387

(CHINA SUZHOU) TEL: (86)512-6621-0580 FAX: (86)512-6621-0685

MODEL

UU-10.5-2

MATERIAL

PHENOLIC

UL RATING

UL94V-0

PIN MATERIAL

CP WIRE

EDITION

2.0

DATE

2002/8/15

SCALE

2/1

TOLERANCE

.X  $\pm 0.2$

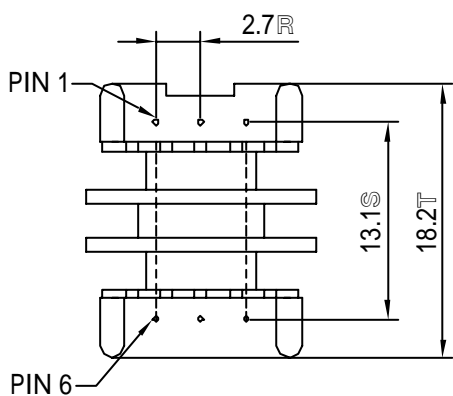
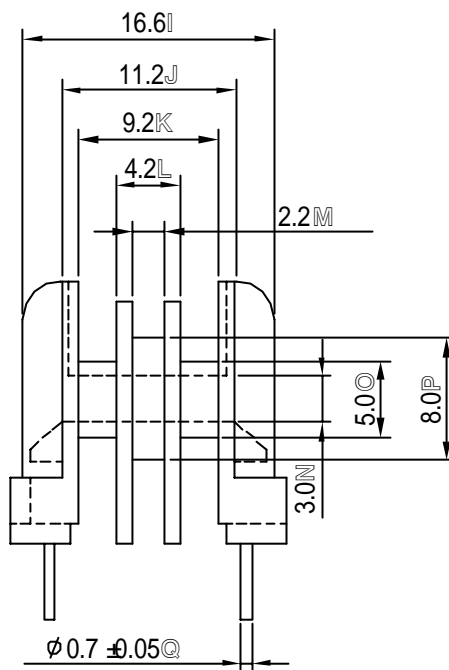
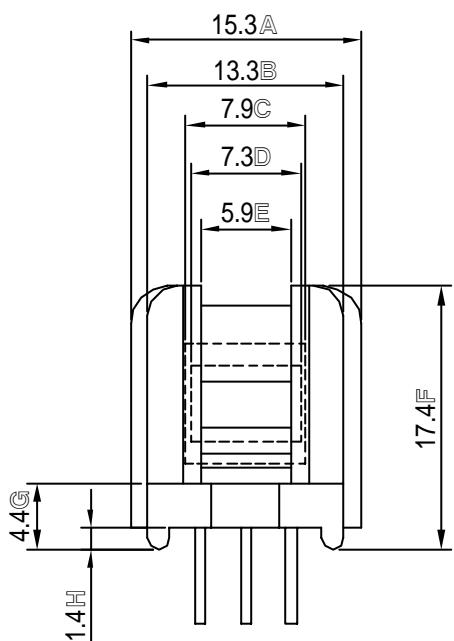
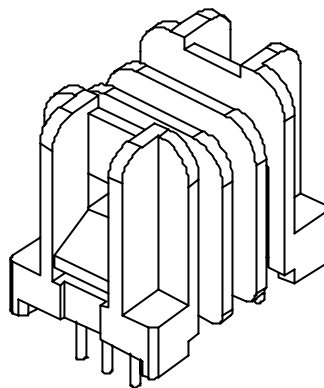
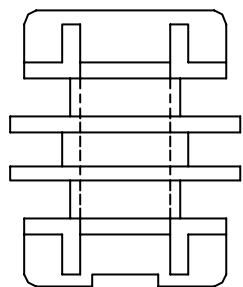
.XX  $\pm 0.15$

PIN PITCH  $\pm 0.1$

UNIT

MM

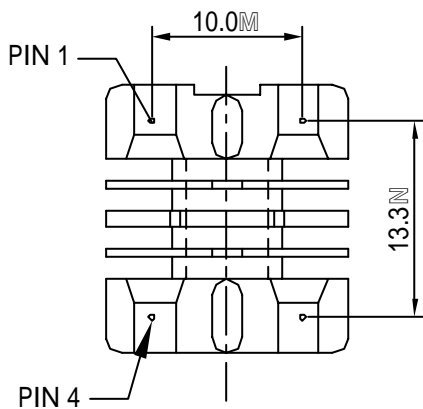
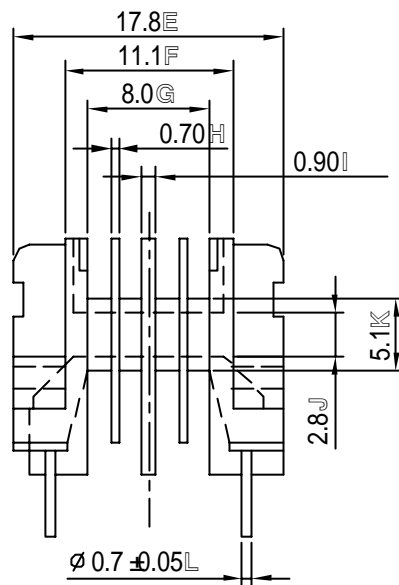
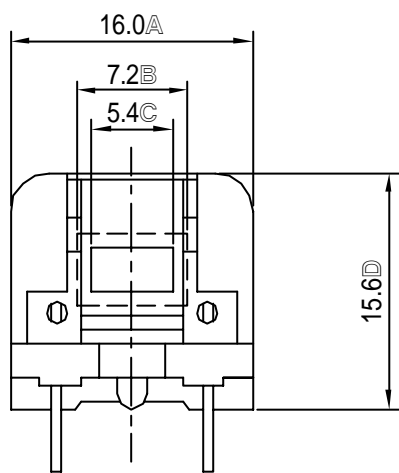
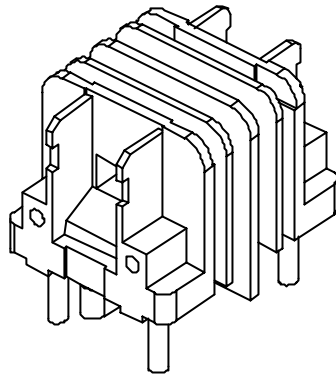
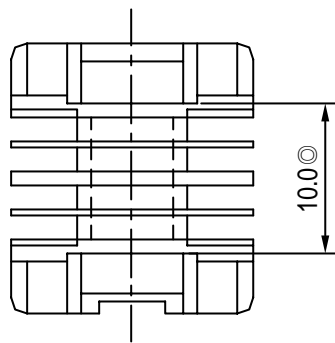
-D17-UU10.5-P03-



REVISIONS				
ISSUE	SYM	DATE	DRAFTER	CHECKER
NOTE:				

 <b>樹林企業股份有限公司</b> TAIWAN SHULIN ENTERPRISE CO., LTD	MODEL	UU-10.5-3		
	MATERIAL	PHENOLIC		
WEB: www.bobbin.com.tw	UL RATING	UL94V-0	TOLERANCE .X $\pm 0.2$ .XX $\pm 0.15$ PIN PITCH $\pm 0.1$	
e-mail: shulin@bobbin.com.tw	PIN MATERIAL	CP WIRE		
(TAIWAN TAIPEI) TEL: (886)2-2223-1500 FAX: (886)2-2222-4646	EDITION	2.0		
(CHINA DONGGUAN) TEL: (86)769-7730-785 FAX: (86)769-7312-387	DATE	2002/8/15		
(CHINA SUZHOU) TEL: (86)512-6621-0580 FAX: (86)512-6621-0685	SCALE	2/1	UNIT	MM

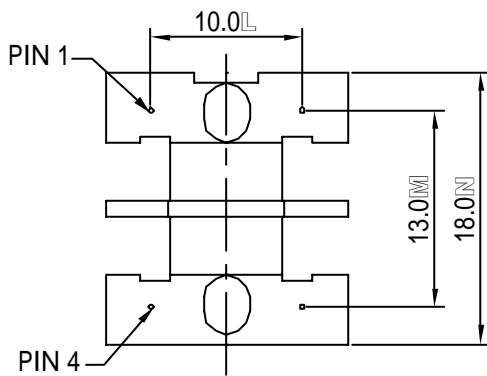
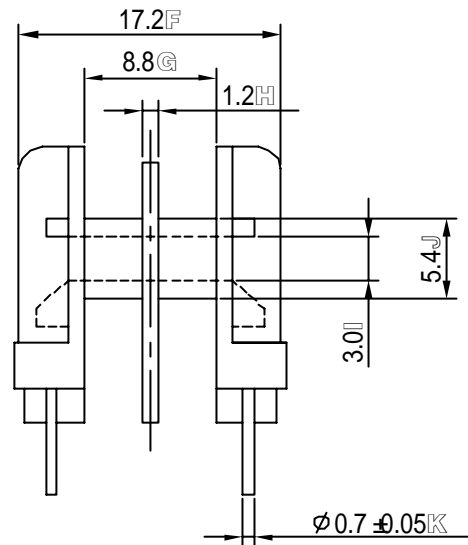
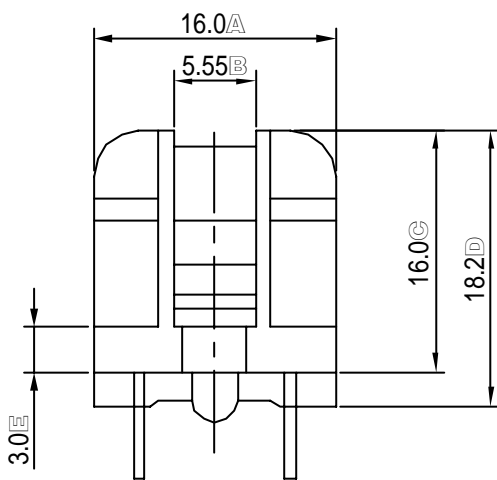
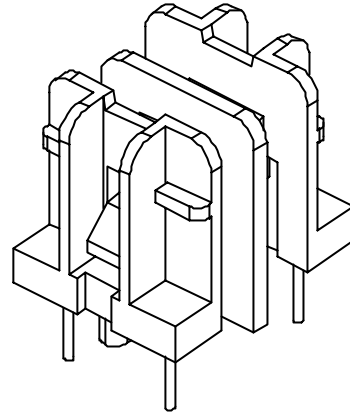
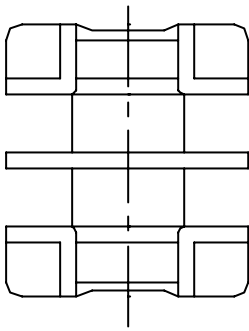
-D17-UU10.5-P04-



REVISIONS				
ISSUE	SYM	DATE	DRAFTER	CHECKER
NOTE:				

 <b>樹林企業股份有限公司</b> TAIWAN SHULIN ENTERPRISE CO., LTD	MODEL		UU-10.5-4	
	MATERIAL		PHENOLIC	
WEB: www.bobbin.com.tw	UL RATING	UL94V-0	TOLERANCE .X $\pm 0.2$ .XX $\pm 0.15$ PIN PITCH $\pm 0.1$	
e-mail: shulin@bobbin.com.tw	PIN MATERIAL	CP WIRE		
(TAIWAN TAIPEI) TEL: (886)2-2223-1500 FAX: (886)2-2222-4646	EDITION	2.0A		
(CHINA DONGGUAN) TEL: (86)769-7730-785 FAX: (86)769-7312-387	DATE	2003/10/31	UNIT	MM
(CHINA SUZHOU) TEL: (86)512-6621-0580 FAX: (86)512-6621-0685	SCALE	2/1		

-D17-UU10.5-P05-



REVISIONS				
ISSUE	SYM	DATE	DRAFTER	CHECKER

NOTE:



樹林企業股份有限公司

TAIWAN SHULIN ENTERPRISE CO., LTD

WEB:www.bobbin.com.tw

e-mail:shulin@bobbin.com.tw

(TAIWAN TAIPEI) TEL:(886)2-2223-1500 FAX:(886)2-2222-4646

(CHINA DONGGUAN) TEL:(86)769-7730-785 FAX:(86)769-7312-387

(CHINA SUZHOU) TEL:(86)512-6621-0580 FAX:(86)512-6621-0685

MODEL

UU-10.5-5

MATERIAL

PHENOLIC

UL RATING

UL94V-0

PIN MATERIAL

CP WIRE

EDITION

2.0

DATE

2002/8/15

SCALE

2/1

TOLERANCE

.X  $\pm 0.2$

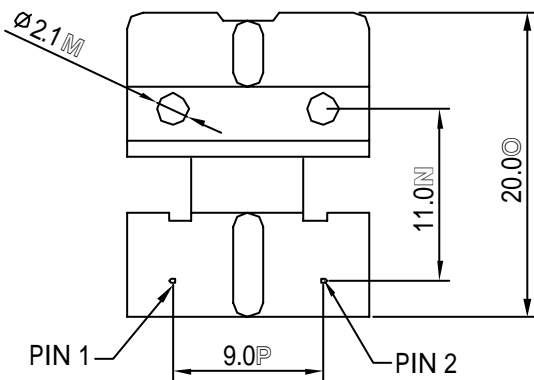
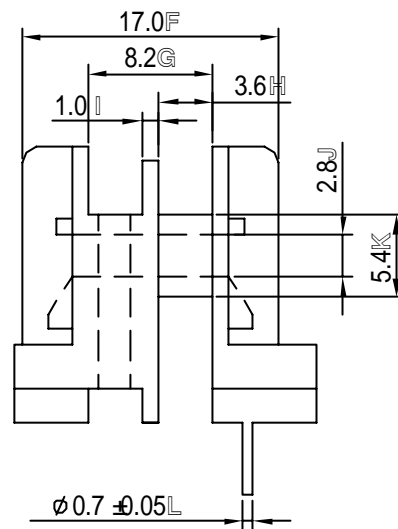
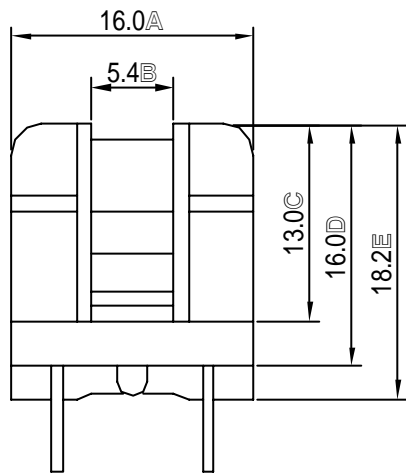
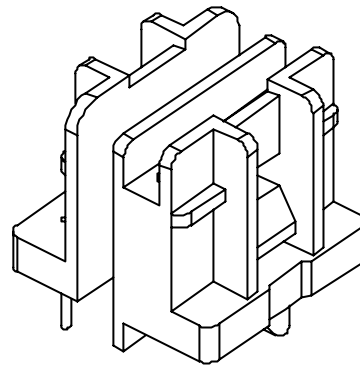
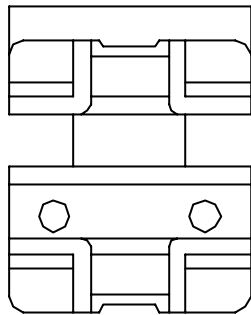
.XX  $\pm 0.15$

PIN PITCH  $\pm 0.1$

UNIT

MM

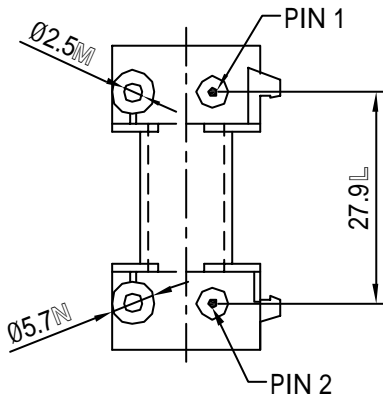
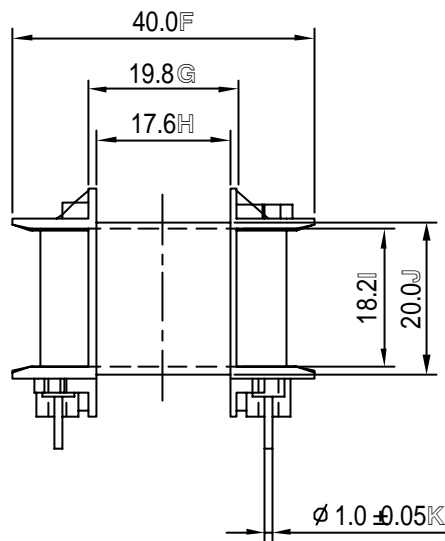
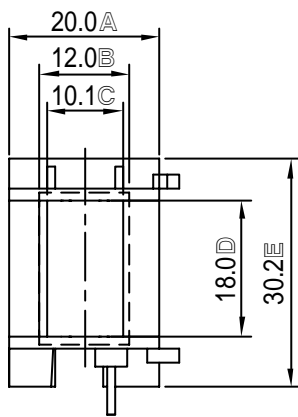
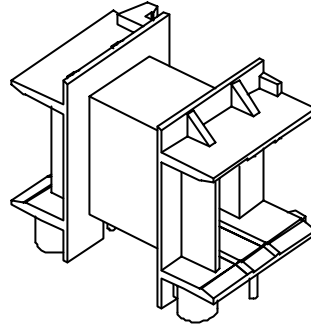
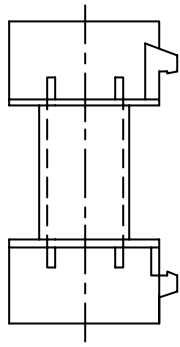
-D17-UU10.5-P06-



REVISIONS				
ISSUE	SYM	DATE	DRAFTER	CHECKER
NOTE:				

 <b>樹林企業股份有限公司</b> TAIWAN SHULIN ENTERPRISE CO., LTD	MODEL	UU-10.5-6		
	MATERIAL	PHENOLIC		
WEB: www.bobbin.com.tw	UL RATING	UL94V-0	TOLERANCE .X $\pm 0.2$ .XX $\pm 0.15$ PIN PITCH $\pm 0.1$	
e-mail: shulin@bobbin.com.tw	PIN MATERIAL	CP WIRE		
(TAIWAN TAIPEI) TEL: (886)2-2223-1500 FAX: (886)2-2222-4646	EDITION	2.0		
(CHINA DONGGUAN) TEL: (86)769-7730-785 FAX: (86)769-7312-387	DATE	2002/8/15		
(CHINA SUZHOU) TEL: (86)512-6621-0580 FAX: (86)512-6621-0685	SCALE	2/1	UNIT	MM

-D17-UU10.5-P07-



REVISIONS				
ISSUE	SYM	DATE	DRAFTER	CHECKER
NOTE:				

 <b>樹林企業股份有限公司</b> TAIWAN SHULIN ENTERPRISE CO., LTD	MODEL		UU-30	
	MATERIAL		PPS	
WEB:www.bobbin.com.tw	UL RATING	UL94V-0	<b>TOLERANCE</b> .X $\pm 0.2$ .XX $\pm 0.15$ PIN PITCH $\pm 0.1$	
e-mail:shulin@bobbin.com.tw	PIN MATERIAL	CP WIRE		
(TAIWAN TAIPEI) TEL:(886)2-2223-1500 FAX:(886)2-2222-4646	EDITION	2.0		
(CHINA DONGGUAN) TEL:(86)769-7730-785 FAX:(86)769-7312-387	DATE	2002/8/15		
(CHINA SUZHOU) TEL:(86)512-6621-0580 FAX:(86)512-6621-0685	SCALE	1/1	UNIT	MM

-D17-UU30-P01-